



US00D858150S

(12) **United States Design Patent** (10) **Patent No.:** **US D858,150 S**  
**Kamondy et al.** (45) **Date of Patent:** **\*\* Sep. 3, 2019**

- (54) **PRIZE MACHINE STYLE BOX**
- (71) Applicants: **Andrew Kamondy**, Courtice (CA);  
**Christopher Nuccio, Jr.**, Bethpage, NY (US)
- (72) Inventors: **Andrew Kamondy**, Courtice (CA);  
**Christopher Nuccio, Jr.**, Bethpage, NY (US)
- (\*\*) Term: **15 Years**
- (21) Appl. No.: **29/623,359**
- (22) Filed: **Oct. 24, 2017**
- (51) **LOC (12) Cl.** ..... **06-04**
- (52) **U.S. Cl.**  
USPC ..... **D6/674**; D9/415
- (58) **Field of Classification Search**  
USPC ..... D6/672, 674, 674.1; D9/600, 601, 414,  
D9/415, 418, 424, 499; D20/7  
CPC ..... B65D 21/022; B65D 77/042; B65D  
83/0409; B65D 2575/366; B65D  
2583/0495; B65D 75/28; B65D 75/36  
See application file for complete search history.

- D519,026 S \* 4/2006 Shing ..... D9/415
- D531,836 S \* 11/2006 Watson ..... D6/674
- D556,565 S \* 12/2007 Nazari ..... D9/415
- D566,542 S \* 4/2008 Gedanke ..... D9/418
- D576,872 S \* 9/2008 Kiser ..... D9/418
- D581,780 S \* 12/2008 Senter ..... D9/415
- D606,392 S \* 12/2009 Prevost ..... D9/415
- D614,948 S \* 5/2010 Lablaine ..... D9/415
- D659,425 S \* 5/2012 Genova ..... D6/674
- D692,295 S \* 10/2013 Whalen, Jr. .... D9/415
- D717,160 S \* 11/2014 Kurniawan ..... D9/415
- D724,659 S \* 3/2015 Begin ..... D19/1
- D733,552 S \* 7/2015 Whalen, Jr. .... D9/415
- D742,734 S \* 11/2015 Anderson ..... D9/415
- D764,269 S \* 8/2016 Kim ..... D9/414
- D766,372 S \* 9/2016 Fung ..... D20/7
- D827,423 S \* 9/2018 DeMaere ..... D9/415
- D840,800 S \* 2/2019 Farrell ..... D9/415

\* cited by examiner

*Primary Examiner* — John Windmuller

*Assistant Examiner* — Steven J Cxyz

(74) *Attorney, Agent, or Firm* — Lewis B. Sternfels

(57) **CLAIM**

The ornamental design for a prize machine style box, as shown and described.

**DESCRIPTION**

FIG. 1 is a perspective view of a prize machine style box; FIG. 2 is a front view thereof; FIG. 3 is a rearview thereof; FIG. 4 is a left side view thereof; FIG. 5 is a right side view thereof; FIG. 6 is a top view thereof; and, FIG. 7 is a bottom view thereof.

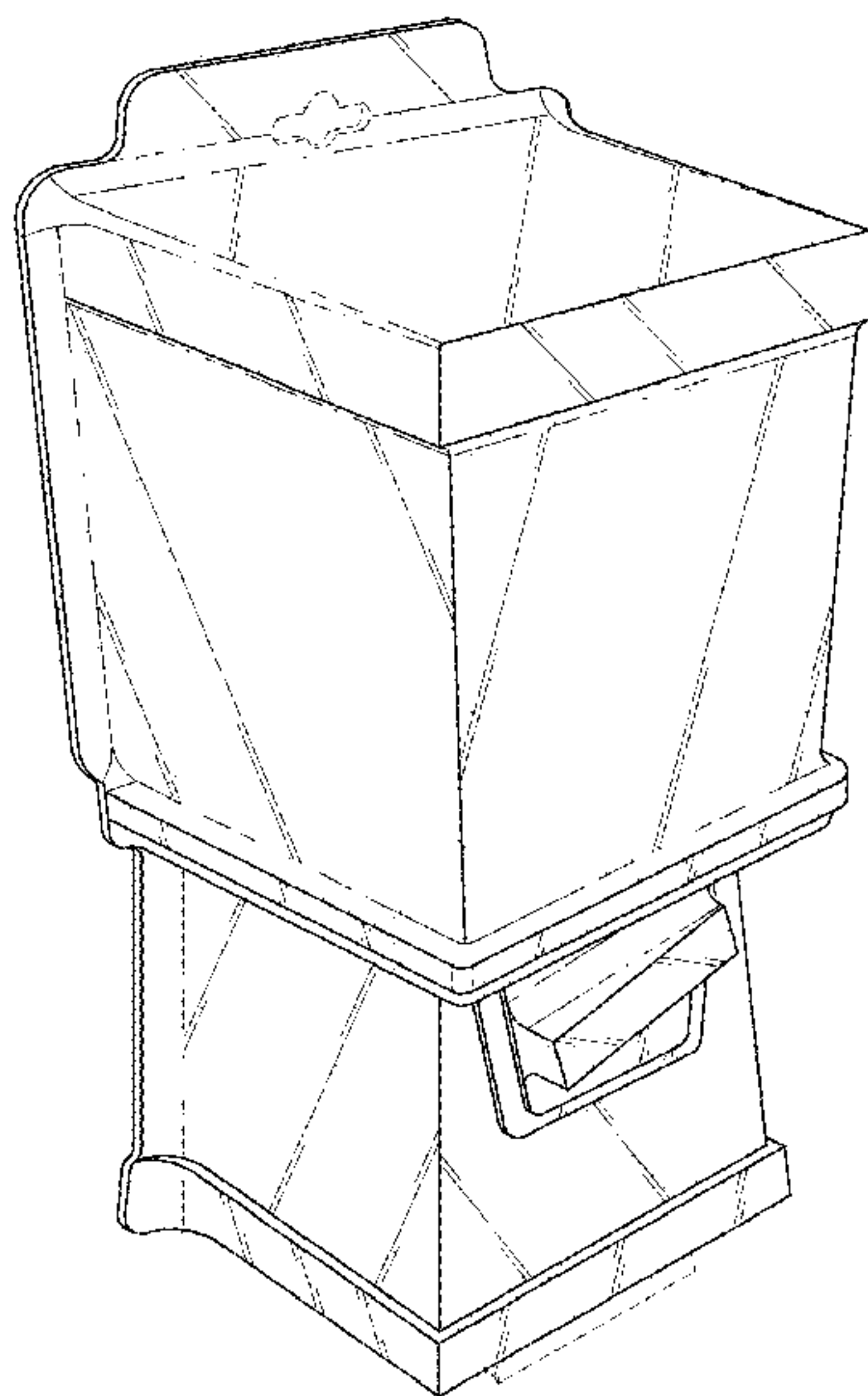
The broken lines depict portions of the article that form no part of the claimed design.

**1 Claim, 6 Drawing Sheets**

(56) **References Cited**

**U.S. PATENT DOCUMENTS**

- 3,077,254 A \* 2/1963 Goldfarb ..... G07F 11/44  
194/294
- D244,716 S \* 6/1977 Weitzman ..... D20/7
- D271,781 S \* 12/1983 Galoob ..... D20/7
- 5,004,122 A \* 4/1991 Poynter ..... B65D 83/0409  
221/155
- D331,997 S \* 12/1992 Nottingham ..... D99/30
- D370,236 S \* 5/1996 Stockman ..... D20/7
- D465,413 S \* 11/2002 Humphrey ..... D9/415
- D479,990 S \* 9/2003 Humphrey ..... D9/415



*FIG. 1*

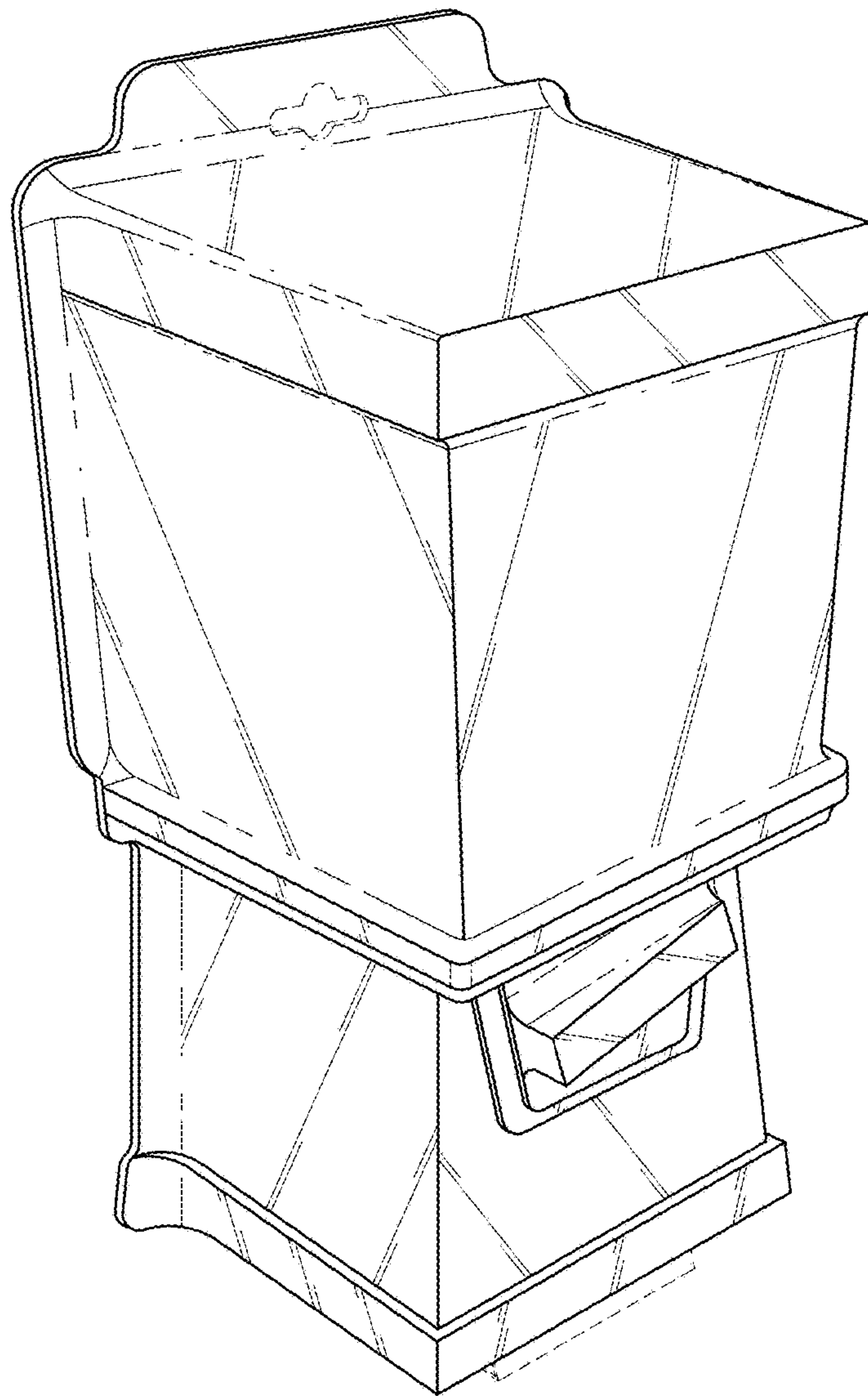


FIG. 2

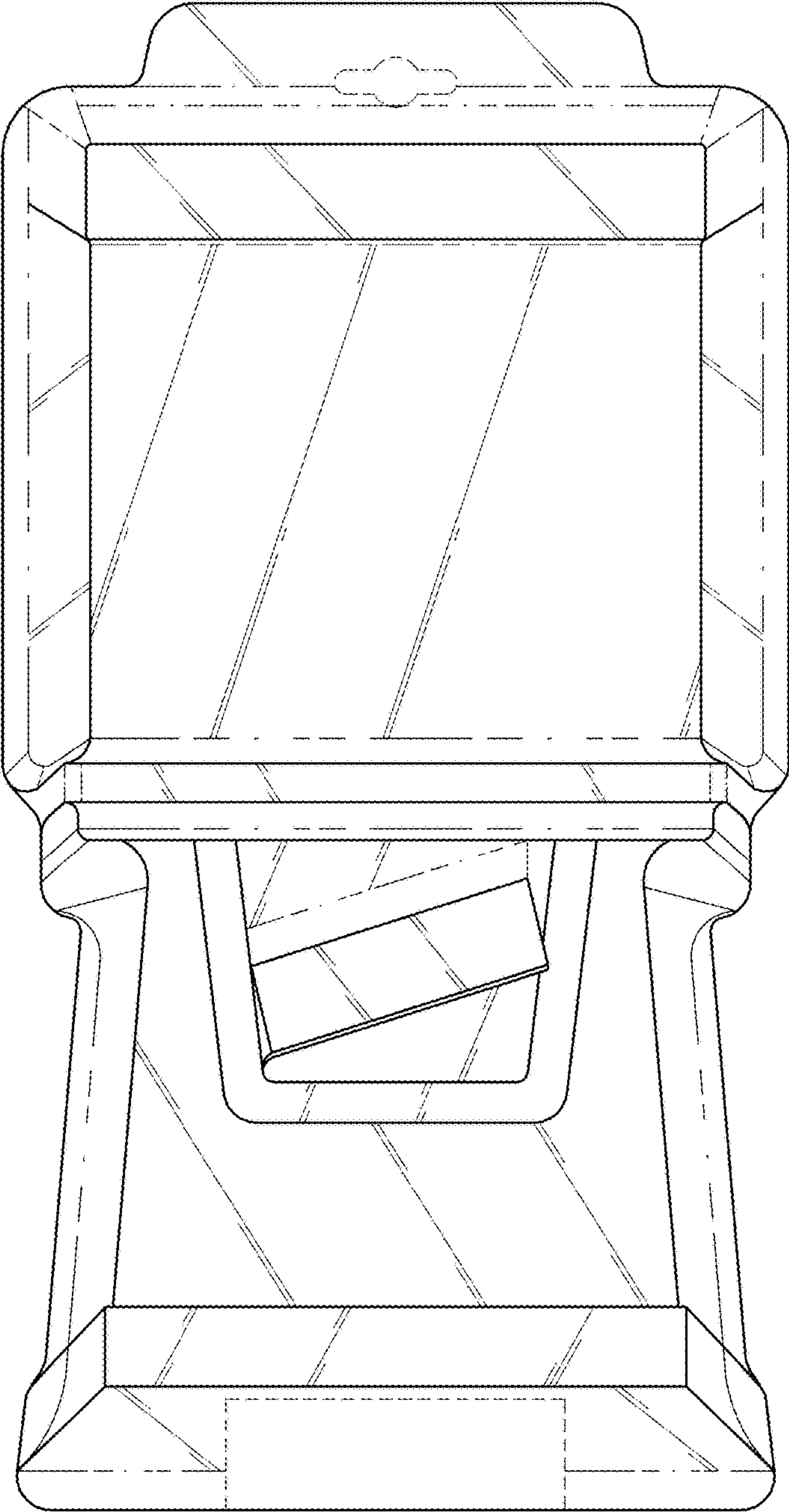


FIG. 3

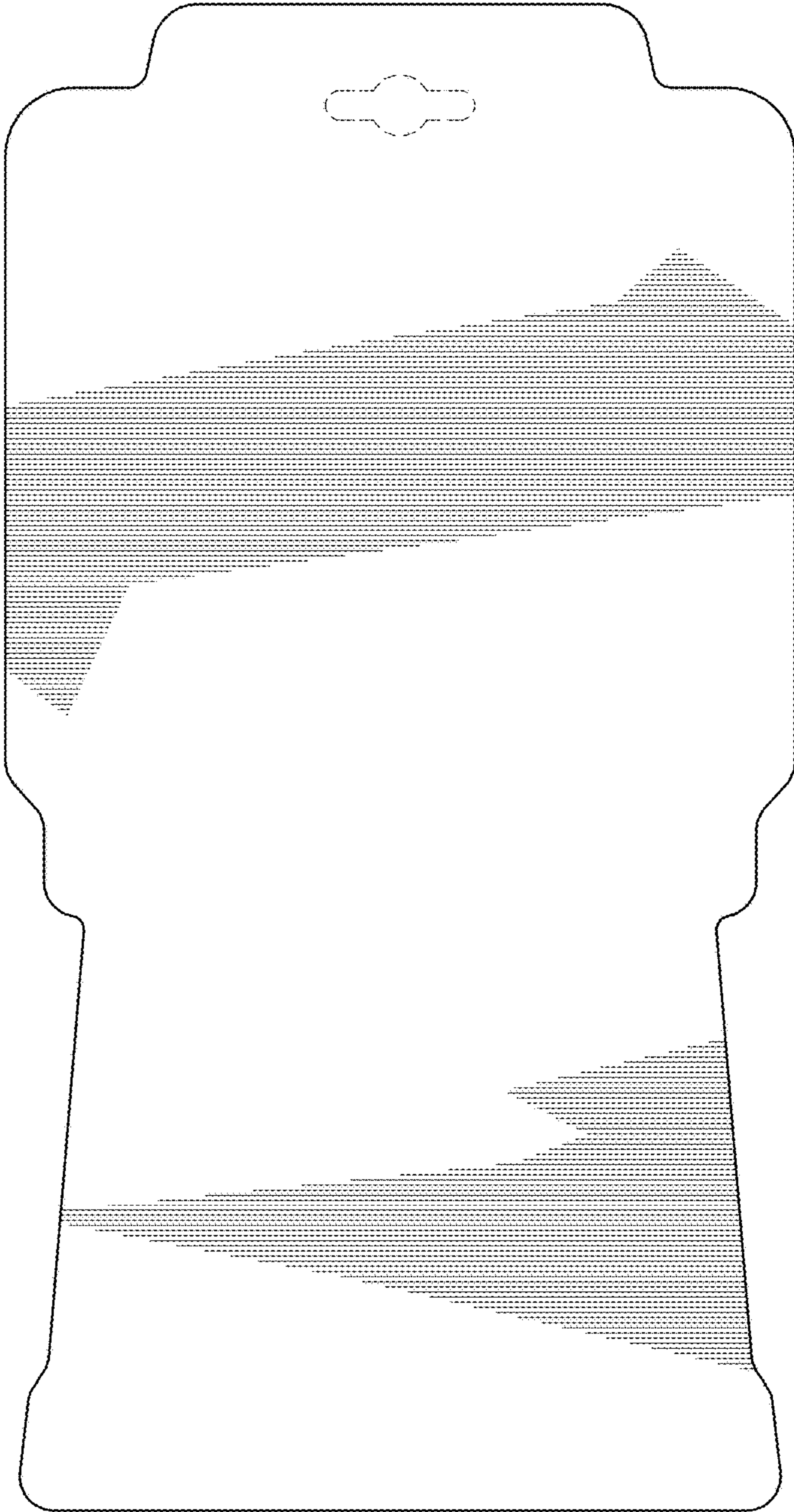


FIG. 4

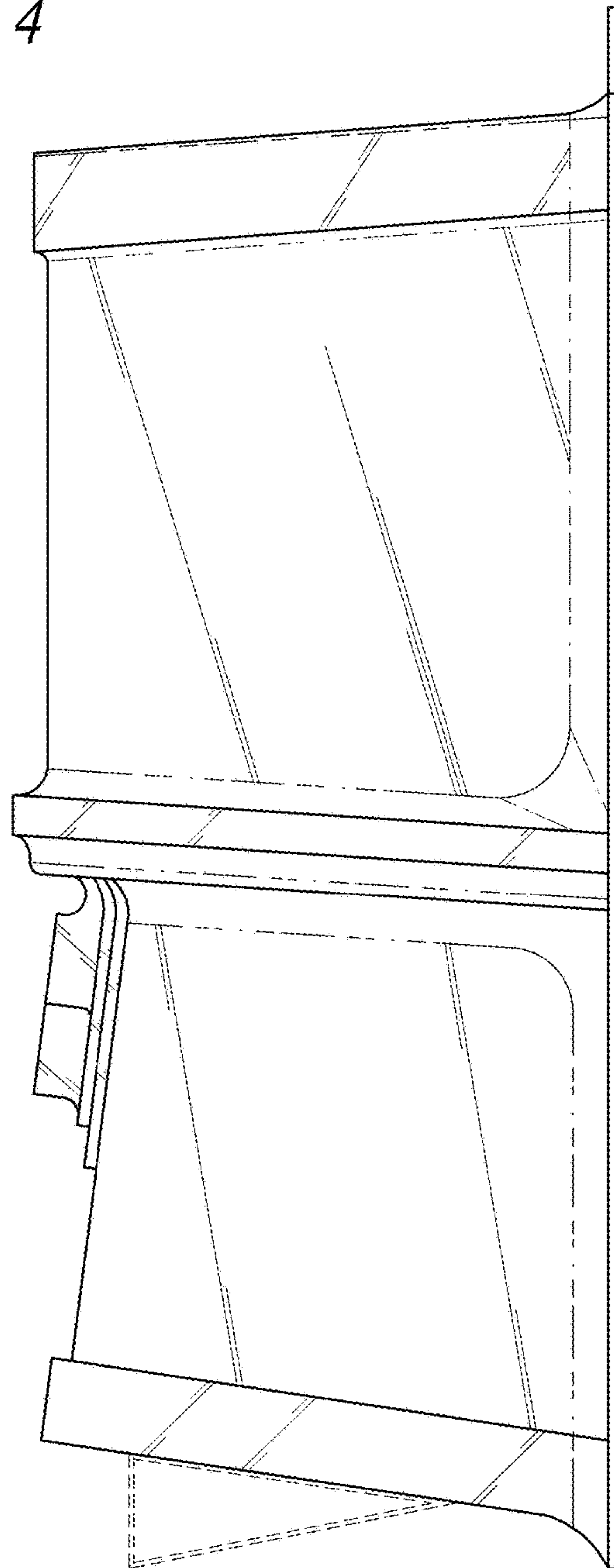




FIG. 5

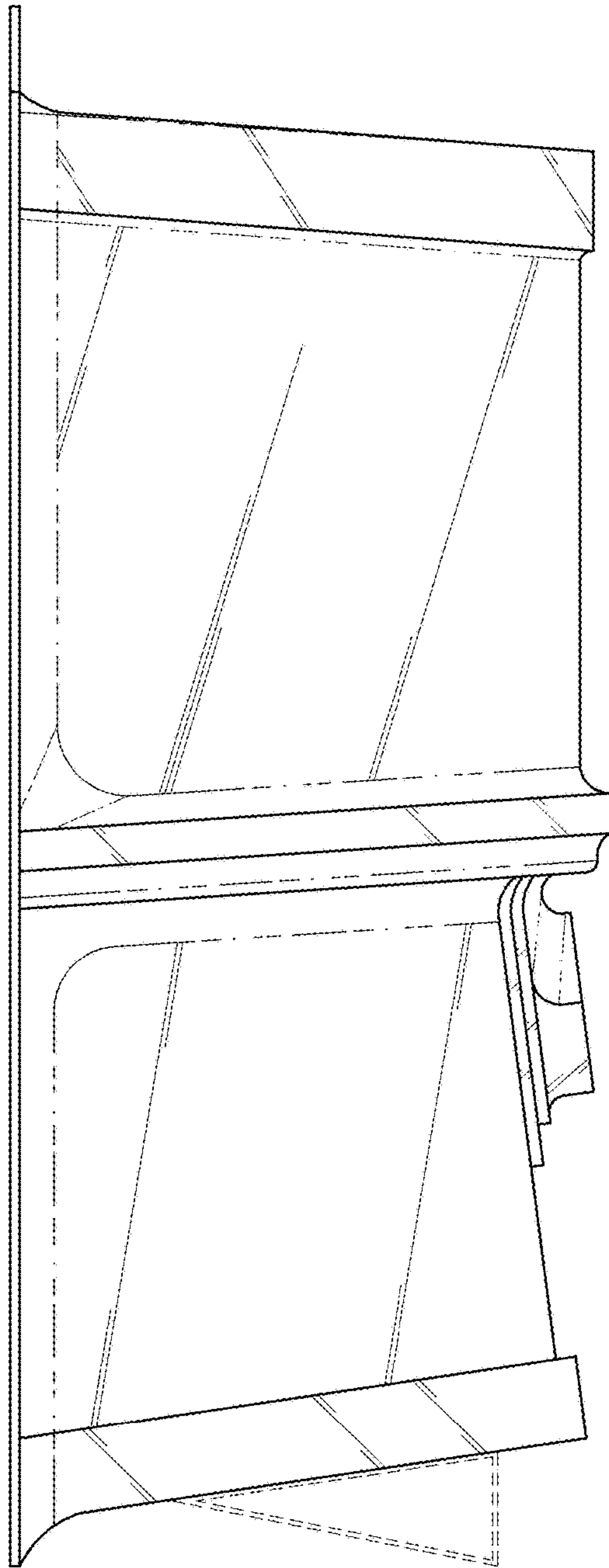


FIG. 6

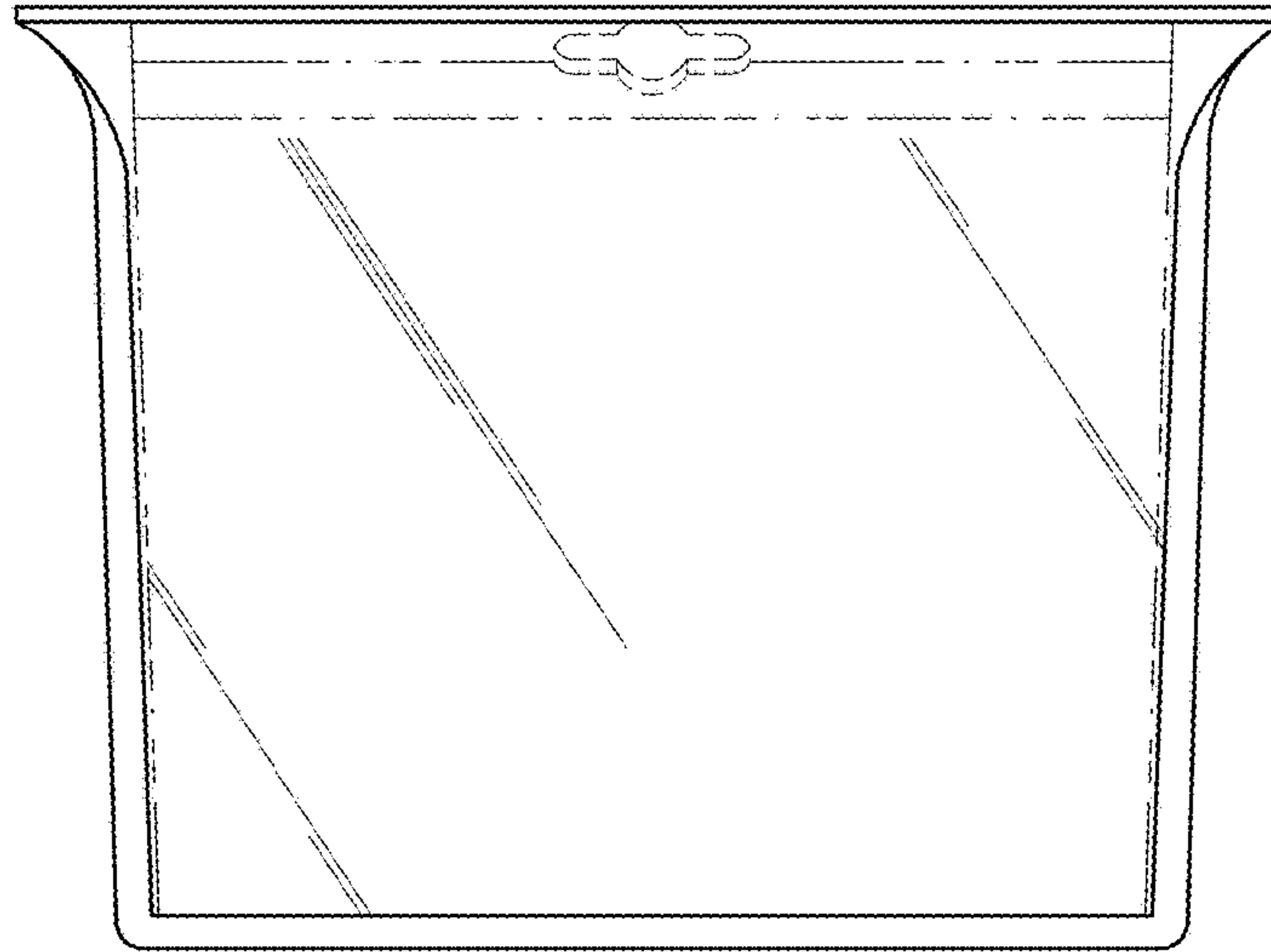


FIG. 7

