



US00D858149S

(12) **United States Design Patent**
Powell

(10) **Patent No.:** **US D858,149 S**

(45) **Date of Patent:** **** Sep. 3, 2019**

(54) **CREDENZA**

(71) Applicant: **Assa Group, Inc.**, Lowell, MI (US)

(72) Inventor: **David J. Powell**, Lowell, MI (US)

(73) Assignee: **Assa Group, Inc.**, Lowell, MI (US)

(**) Term: **15 Years**

(21) Appl. No.: **29/650,961**

(22) Filed: **Jun. 11, 2018**

(51) **LOC (12) Cl.** **06-04**

(52) **U.S. Cl.**

USPC **D6/671**

(58) **Field of Classification Search**

USPC D6/657, 659, 661, 663, 669, 671, 671.1,
D6/683.1, 672, 673, 675

CPC A47B 31/00; A47B 46/00; A47B 47/00;
A47B 47/022; A47B 47/05; A47B 47/02;
A47B 47/04; A47B 47/0066; A47B
47/024; A47B 55/00; A47B 71/00; A47B
67/00; A47B 67/02; A47B 67/04; A47B
73/00; A47B 81/00; A47B 43/00; A47B
43/04; A47B 45/00; A47B 61/00; A47B
61/06; A47B 79/00; A47F 3/00; A47F
3/001; A47F 3/005; A47F 3/0434; A47F
5/08; A47F 7/0078

See application file for complete search history.

(56) **References Cited**

U.S. PATENT DOCUMENTS

D199,625 S * 11/1964 Platner D6/671.1
D220,442 S * 4/1971 Beavers D6/671

D265,359 S * 7/1982 Malven D6/675
D313,910 S * 1/1991 Kubryk D6/691.4
D335,001 S * 4/1993 Drake D24/183
D446,047 S * 8/2001 Stone D6/671
D481,223 S * 10/2003 Locker D6/658
D598,672 S * 8/2009 Maly D6/671.1
D772,615 S * 11/2016 Pinna D6/671
D830,085 S * 10/2018 Curthelet D6/671

OTHER PUBLICATIONS

Frank Dickinson. <http://frankdickinson.me/gallery/>. "Mid century modern console cabinet". Date unknown: Viewed May 2019 (Year: 2019).*

* cited by examiner

Primary Examiner — R. Johnson

(74) *Attorney, Agent, or Firm* — Oppenhuizen Law PLC;
David L. Oppenhuizen

(57) **CLAIM**

The ornamental design for a credenza, as shown and described.

DESCRIPTION

FIG. 1 is a bottom perspective view of a credenza showing the new design;

FIG. 2 is a front view;

FIG. 3 is a rear view;

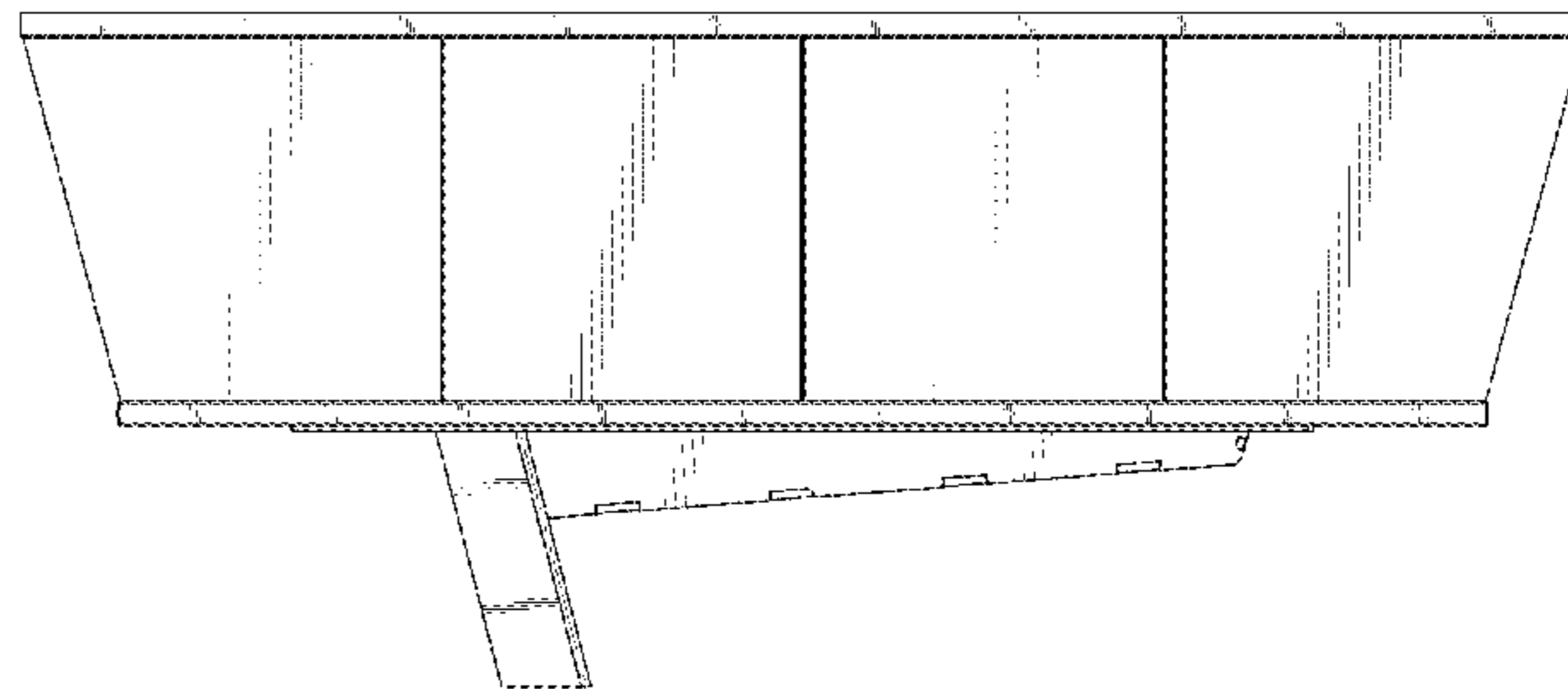
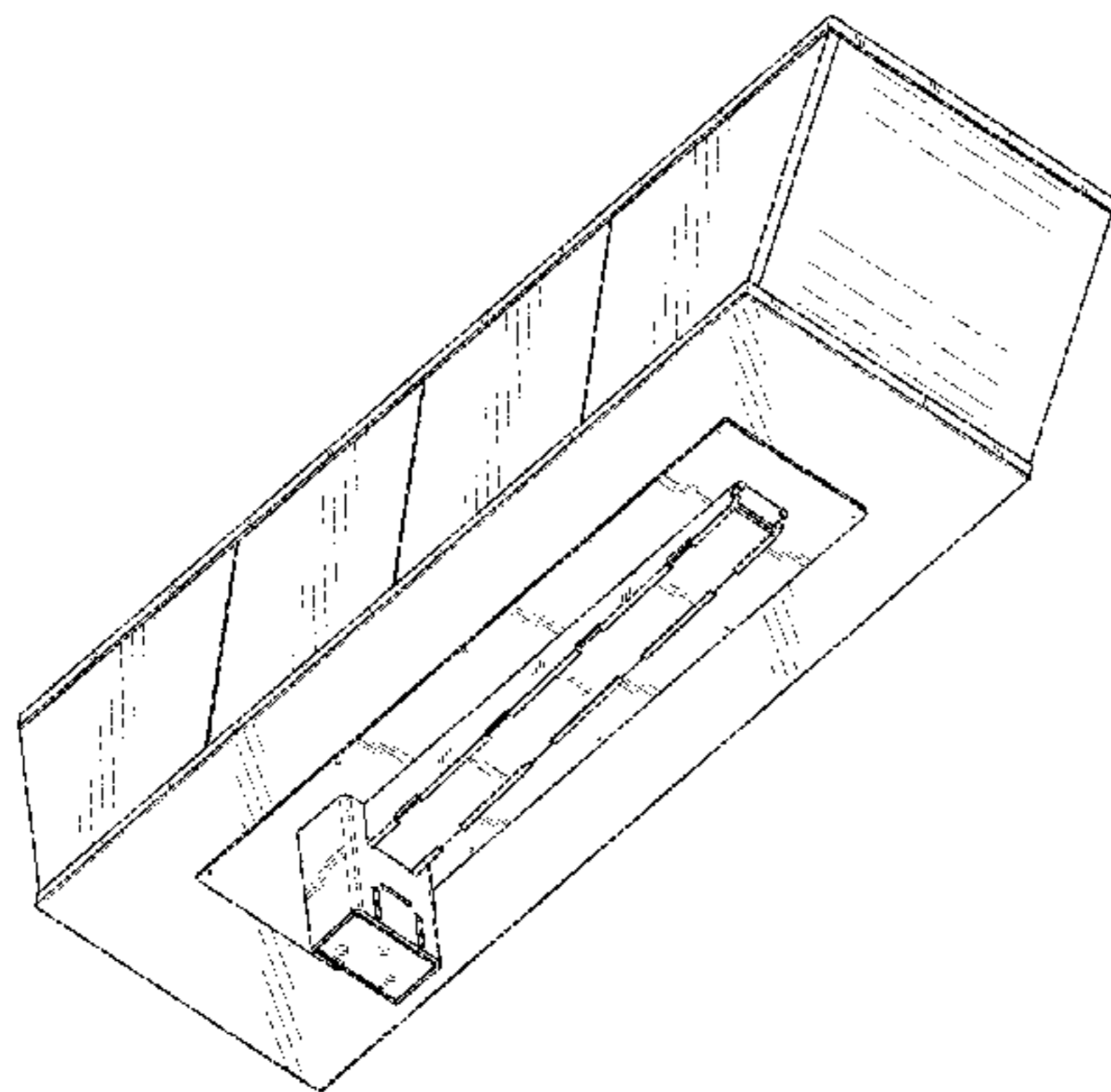
FIG. 4 is a left view;

FIG. 5 is a right view;

FIG. 6 is a top view; and,

FIG. 7 is a bottom view.

1 Claim, 7 Drawing Sheets



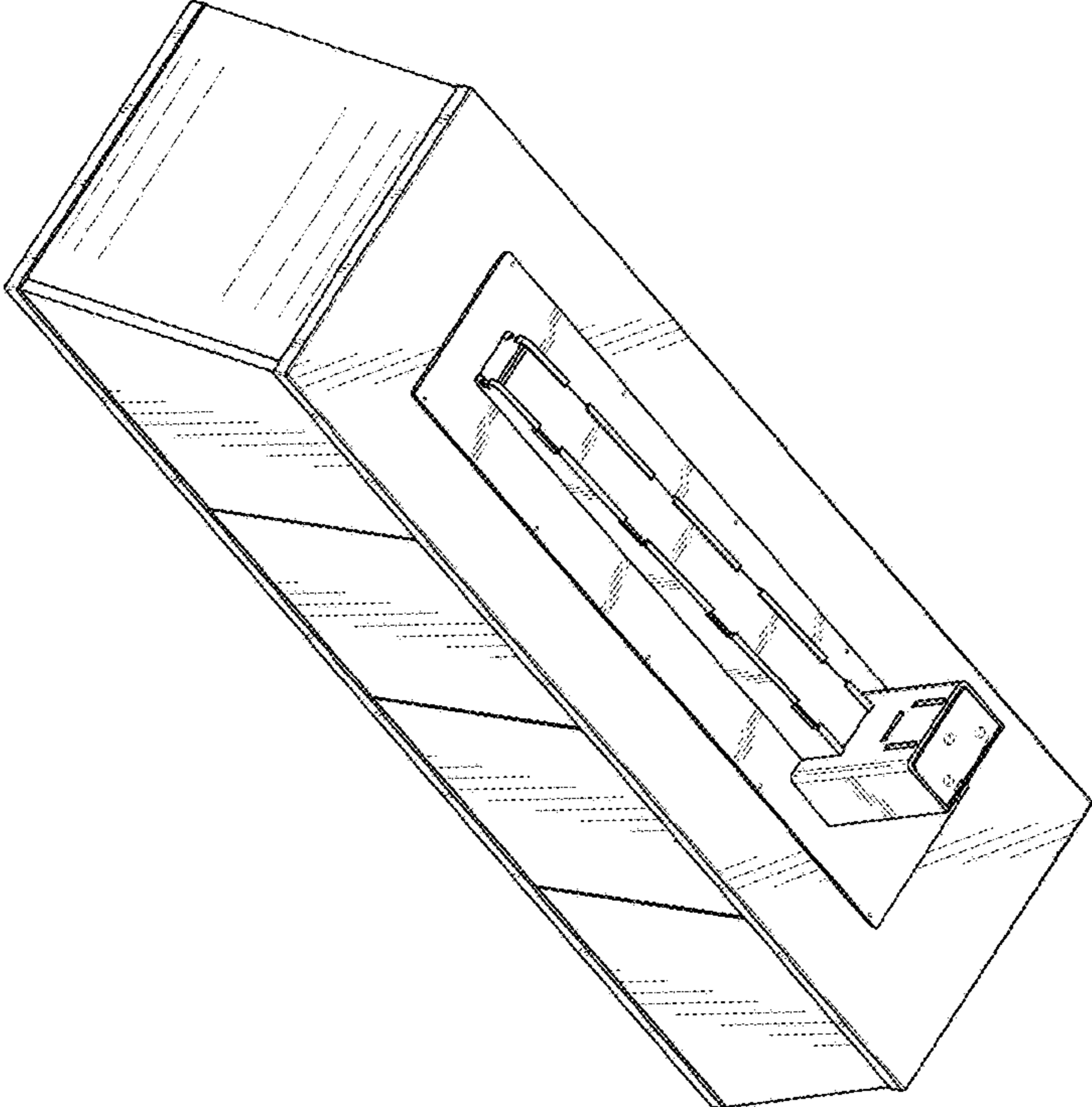


FIG. 1

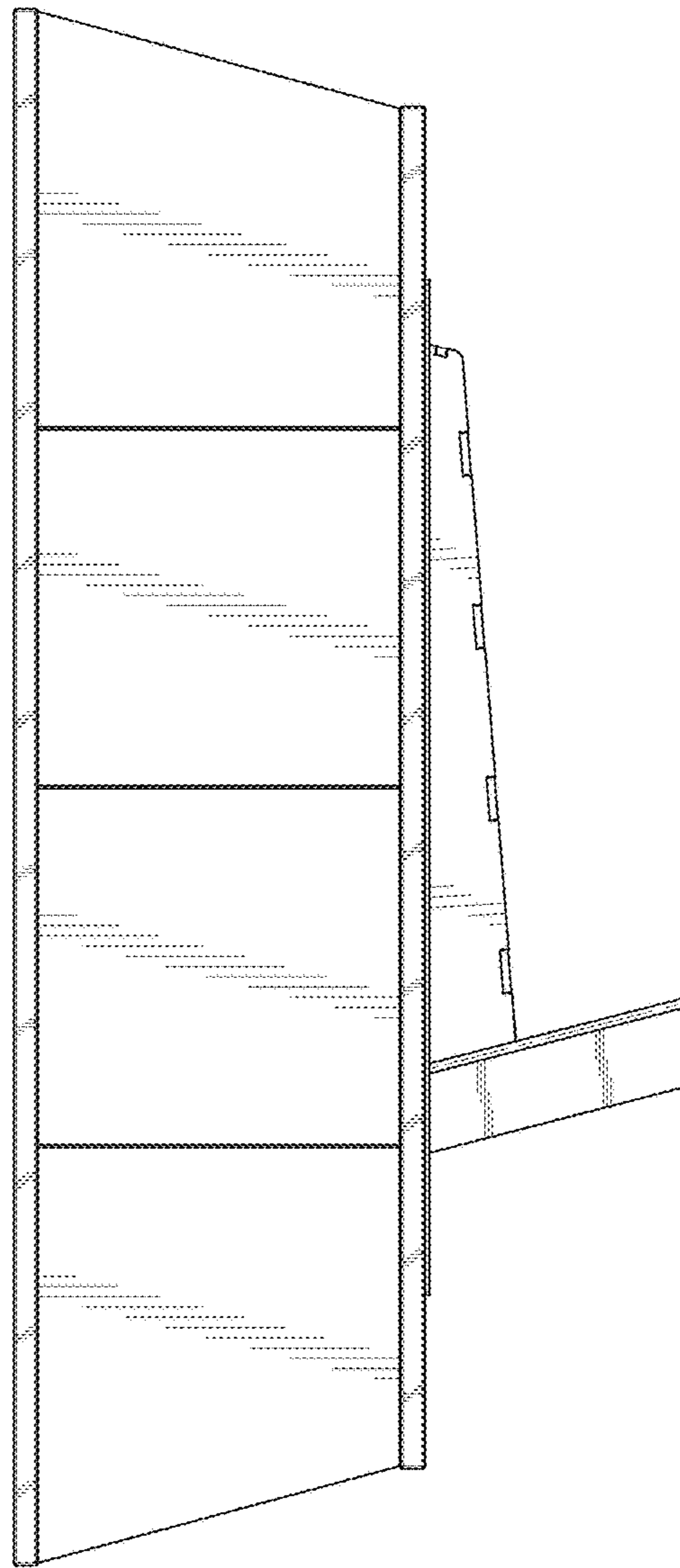


FIG. 2

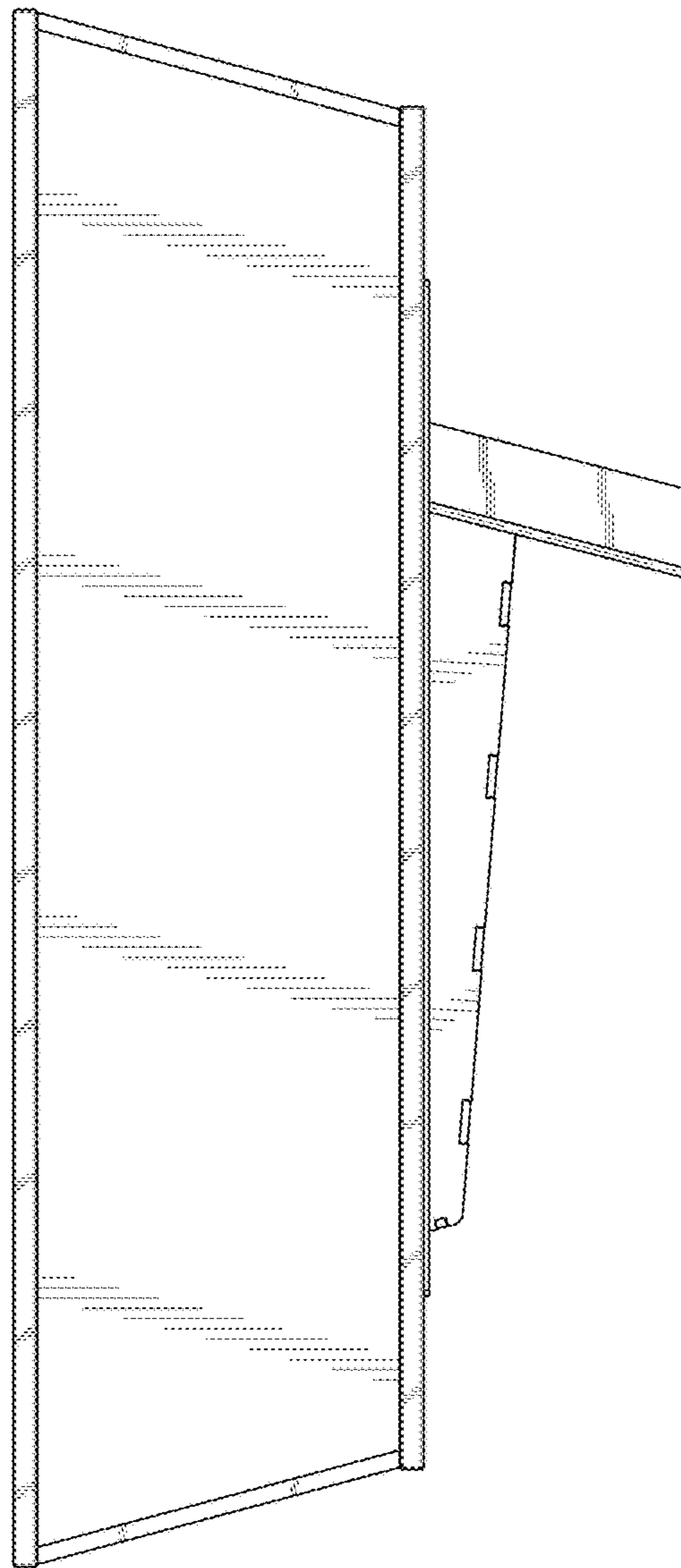


FIG. 3

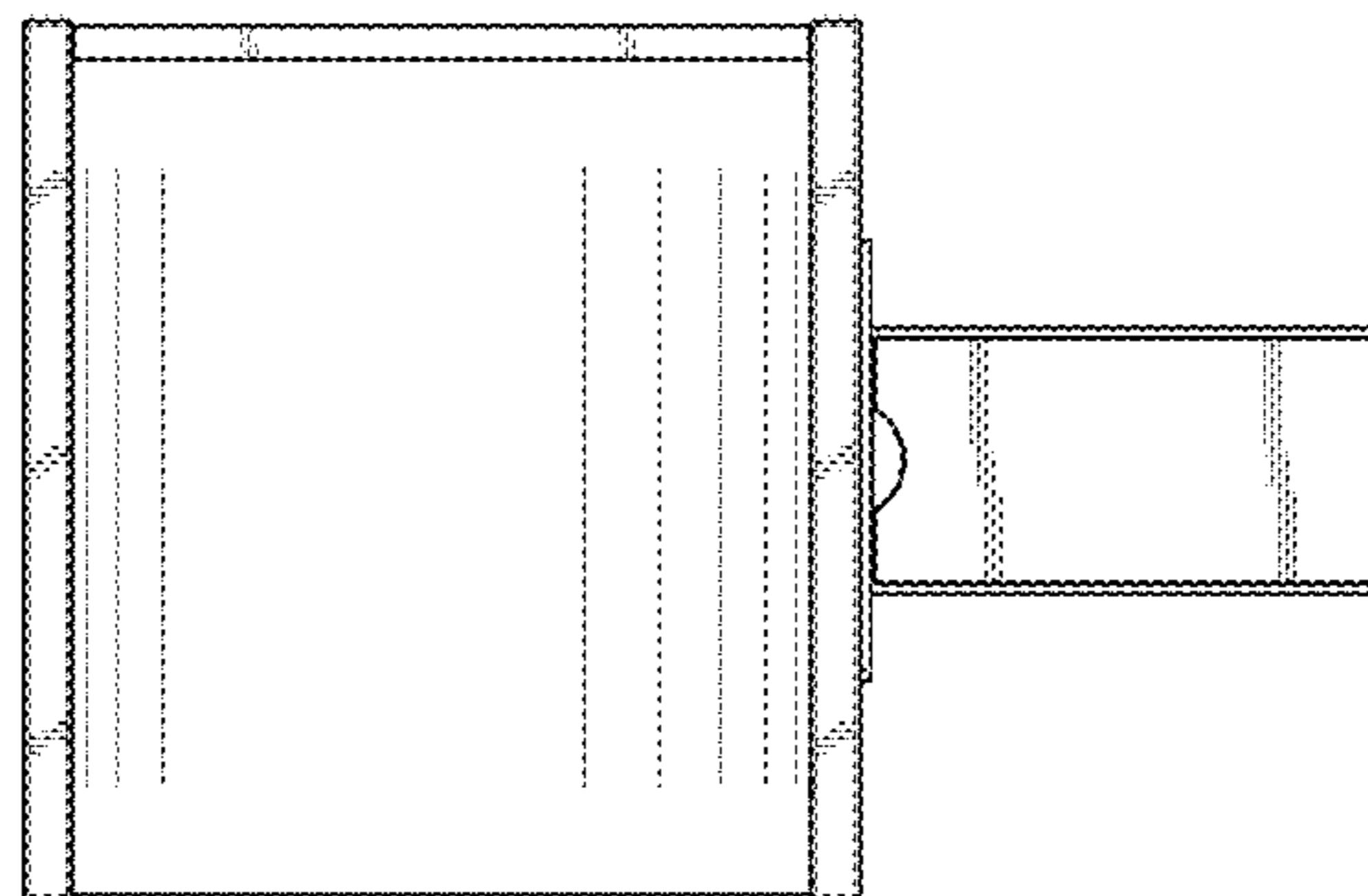


FIG. 4

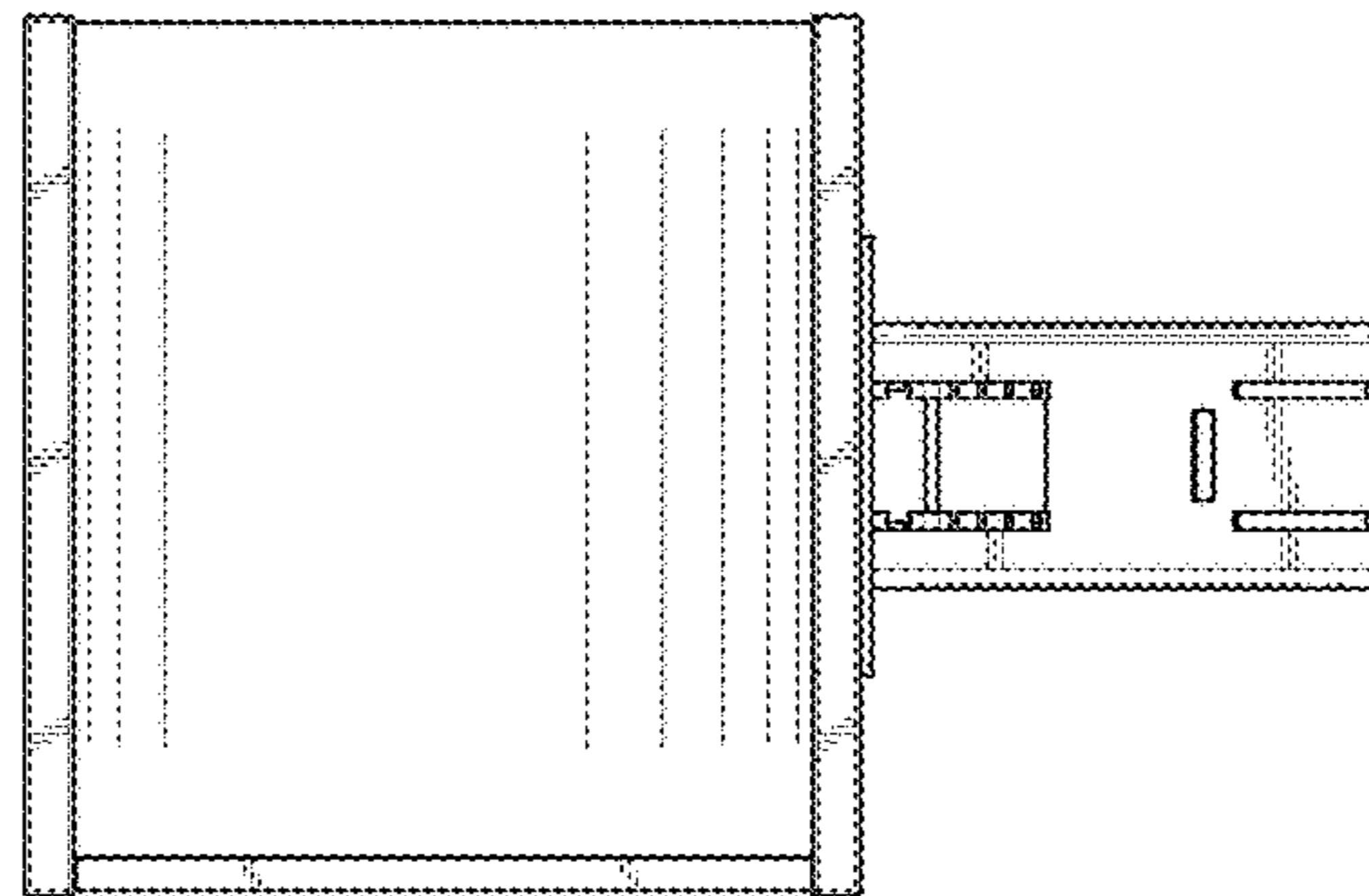


FIG. 5

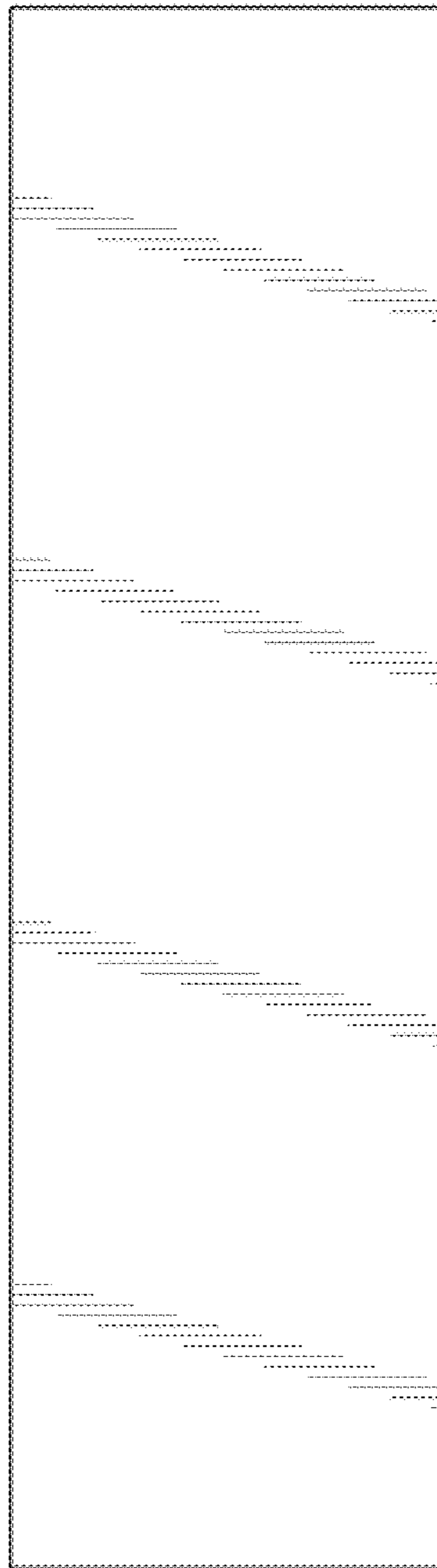


FIG. 6

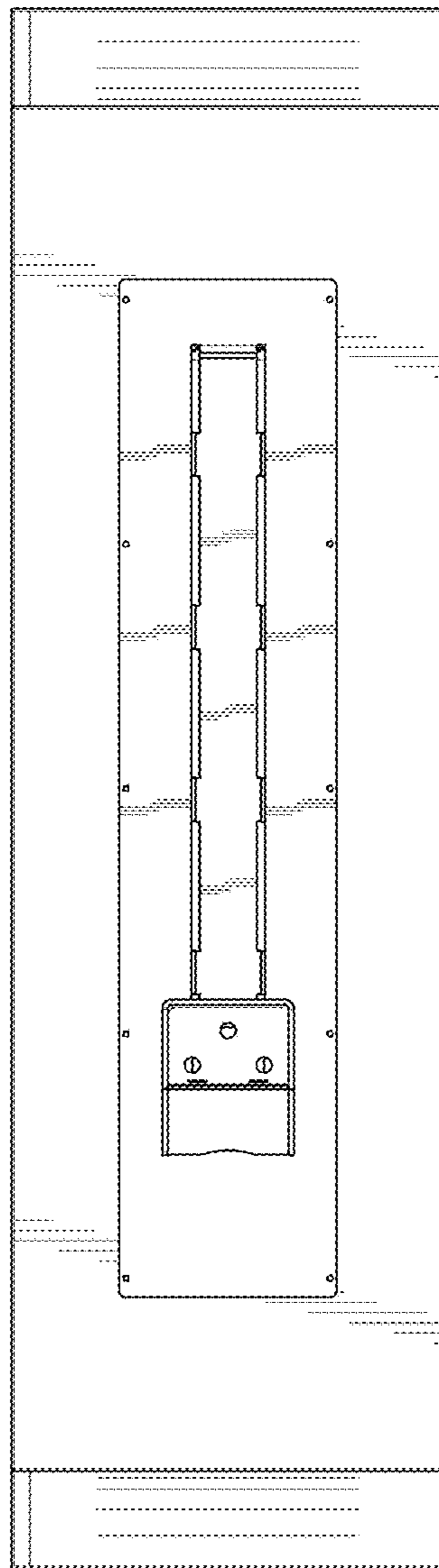


FIG. 7