



US00D858148S

(12) **United States Design Patent** (10) **Patent No.:** **US D858,148 S**
Crutcher et al. (45) **Date of Patent:** **** Sep. 3, 2019**

- (54) **KITCHEN GARDEN DUAL-CABINET**
- (71) Applicant: **Carter-Hoffmann LLC**, Mundelein, IL (US)
- (72) Inventors: **Michael Clay Crutcher**, Lake Villa, IL (US); **Richard Paddock**, Antioch, IL (US)
- (73) Assignee: **Carter-Hoffman LLC**, Mundelein, IL (US)

- 4,543,744 A 10/1985 Royster
- 5,251,399 A 10/1993 Rasmussen
- 5,283,974 A 2/1994 Graf, Jr.
- 5,295,593 A 3/1994 Strum
- 5,430,972 A 7/1995 Wianecki
- D364,053 S 11/1995 Hayashi et al.
- D365,110 S 12/1995 Klein, III
- D366,587 S 1/1996 Underdahl
- 5,555,676 A 9/1996 Lund

(Continued)

(**) Term: **15 Years**

(21) Appl. No.: **29/648,006**

(22) Filed: **May 17, 2018**

(51) **LOC (12) Cl.** **06-04**

(52) **U.S. Cl.**
USPC **D6/661**

(58) **Field of Classification Search**
 USPC D6/657, 659, 661, 663, 669, 671, 671.1, D6/683.1, 672, 673, 675; D15/81, 85, D15/88; D7/601
 CPC A47B 31/00; A47B 46/00; A47B 47/00; A47B 47/022; A47B 47/05; A47B 55/00; A47B 71/00; A47B 67/00; A47B 67/02; A47B 67/04; A47B 73/00; A47B 81/00; A47F 3/00; A47F 3/001; A47F 3/005; A47F 3/0434; A47F 5/08; A47F 7/0078
 See application file for complete search history.

(56) **References Cited**

U.S. PATENT DOCUMENTS

- D186,448 S 10/1959 Powell et al.
- 3,106,801 A 10/1963 Risacher
- D225,200 S * 11/1972 Bressickello D6/661
- D243,985 S 4/1977 Brown
- 4,244,145 A 1/1981 Polacsek
- 4,291,494 A 9/1981 Knablein
- D265,316 S 7/1982 Trulaske
- D273,298 S 4/1984 Trulaske

OTHER PUBLICATIONS

A Best Kitchen. https://www.akitchen.com/store/carter-hoffmann-gc42.html?gclid=EAiaIQobChMI34P86_Xf4QIVz8DICH2sRA23EAQYCCABEGKNMvD_BwE. "Carter-Hoffmann Gardenchef Herb & Microgreen Growing Cabinet Automated Growing System For Chefs—GC42". Date Unknown: Viewed Apr. 2019 (Year: 2019).*

(Continued)

Primary Examiner — R. Johnson

(74) *Attorney, Agent, or Firm* — Brinks Gilson & Lione

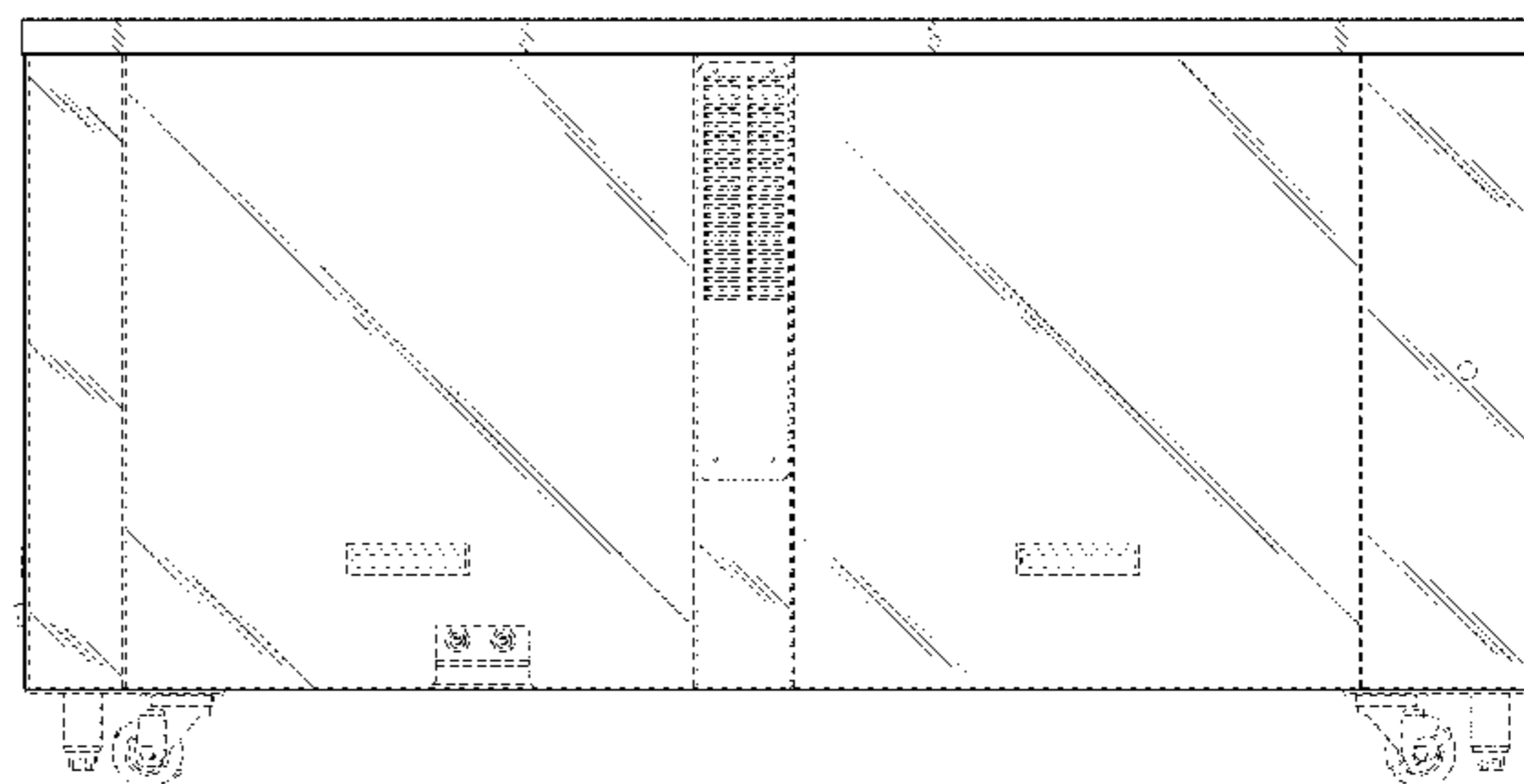
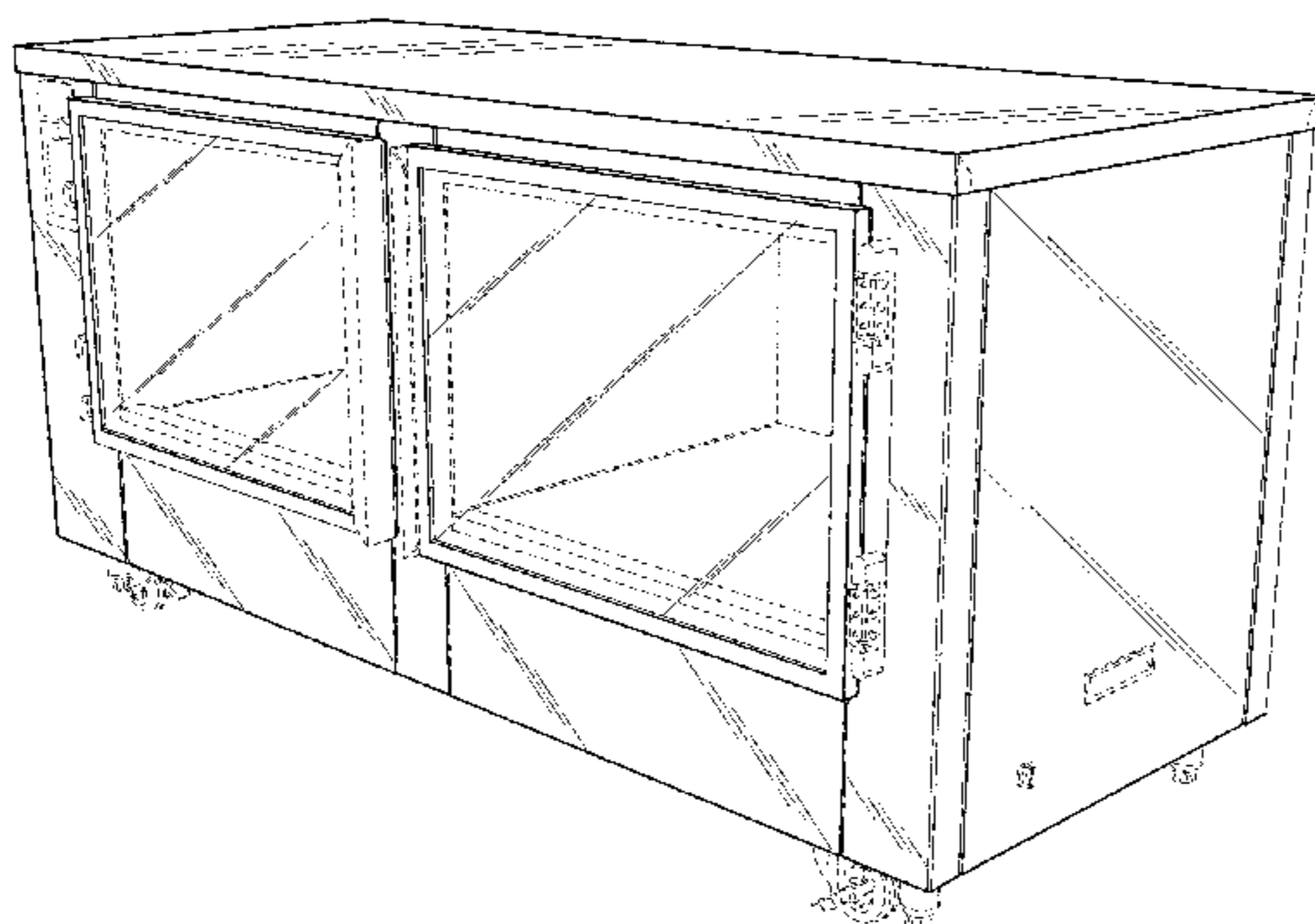
(57) **CLAIM**

We claim the ornamental design for a kitchen garden dual-cabinet, as shown and described.

DESCRIPTION

FIG. 1 is a top-right perspective view of a new design for a kitchen garden dual-cabinet;
 FIG. 2 is a front elevation view thereof;
 FIG. 3 is a right side elevation view thereof;
 FIG. 4 is a left side elevation view thereof;
 FIG. 5 is a top plan view thereof;
 FIG. 6 is a rear elevation view thereof;
 FIG. 7 a bottom plan view thereof; and,
 FIG. 8 is a bottom-left perspective view thereof.
 Broken lines in the drawings are for the purpose of illustrating portions of the article that form no part of the presently-claimed design.

1 Claim, 7 Drawing Sheets



(56)

References Cited

U.S. PATENT DOCUMENTS

D377,800 S 2/1997 Branz et al.
 D412,629 S * 8/1999 Zaidman D6/671.1
 D416,713 S 11/1999 Trulaske, Sr.
 D420,368 S 2/2000 Bardin et al.
 6,233,870 B1 5/2001 Horibata
 D449,843 S 10/2001 Kim
 6,536,157 B2 3/2003 Wijbenga
 D481,558 S * 11/2003 Milligan D6/661
 6,725,598 B2 4/2004 Yoneda et al.
 6,748,696 B1 6/2004 Davidson
 D524,830 S 7/2006 Lei et al.
 D550,256 S 9/2007 Lei et al.
 D562,597 S * 2/2008 Weatherly D6/671.1
 D586,584 S * 2/2009 Hung D6/661
 7,516,574 B2 4/2009 Gottlieb
 7,617,057 B2 11/2009 May et al.
 D627,375 S 11/2010 Yang
 7,823,324 B2 11/2010 Townsley
 7,975,428 B2 7/2011 Townsley
 7,987,632 B2 8/2011 May et al.
 D659,724 S 5/2012 Wolfe
 D659,725 S 5/2012 Wolfe
 8,166,700 B2 5/2012 Townsley
 8,181,387 B2 5/2012 Loebel et al.
 D663,138 S * 7/2012 Andersen D6/661
 8,234,812 B1 8/2012 Colless et al.
 8,261,486 B2 9/2012 Bissonnette et al.
 D668,475 S * 10/2012 Zambelli D6/661
 8,327,580 B2 12/2012 Miyahara
 D675,846 S 2/2013 Monaldi et al.
 8,438,779 B2 5/2013 Townsley
 8,443,546 B1 5/2013 Darin
 8,468,741 B2 6/2013 Lewis
 8,505,238 B2 8/2013 Luebbers
 8,910,419 B1 12/2014 Oberst
 9,101,096 B1 8/2015 Lewis
 D743,452 S 11/2015 Zubieta
 9,243,789 B1 1/2016 Chow
 9,265,205 B2 2/2016 Cheng et al.
 D755,259 S 5/2016 Rautavuori
 D757,127 S 5/2016 Rautavuori
 9,345,201 B2 5/2016 Sakura et al.
 9,357,715 B2 6/2016 Cottrell
 9,357,718 B1 6/2016 Lehman
 D788,185 S 5/2017 Wolfe et al.
 D817,040 S * 5/2018 Davis D6/661
 D829,471 S * 10/2018 Fortmann D6/661
 D834,355 S * 11/2018 Davis D6/657
 2002/0184820 A1 12/2002 Mauney

2005/0057128 A1* 3/2005 Anderson A47B 47/042
 312/257.1
 2005/0246954 A1 11/2005 Bissonnette et al.
 2005/0246955 A1 11/2005 Bissonnette et al.
 2005/0257424 A1 11/2005 Bissonnette et al.
 2006/0179711 A1 8/2006 Bissonnette et al.
 2006/0254138 A1 11/2006 Bissonnette et al.
 2006/0272210 A1 12/2006 Bissonnette et al.
 2007/0271841 A1 11/2007 Bissonnette et al.
 2008/0078118 A1 4/2008 Bissonnette et al.
 2008/0155894 A1 7/2008 Bissonnette et al.
 2008/0222949 A1 9/2008 Bissonnette et al.
 2008/0276534 A1 11/2008 Bissonnette et al.
 2008/0282610 A1 11/2008 Bissonnette et al.
 2009/0025287 A1 1/2009 Yu
 2010/0088953 A1 4/2010 Oosterling
 2010/0275512 A1 11/2010 Nien
 2011/0219683 A1 9/2011 Sutton
 2011/0252705 A1 10/2011 Van Gemert et al.
 2012/0042568 A1 2/2012 Gary
 2012/0167460 A1 7/2012 Julian
 2013/0063326 A1 3/2013 Riegel
 2014/0026474 A1 1/2014 Kulas
 2014/0053463 A1 2/2014 Abdessamad
 2014/0144078 A1 5/2014 Daegan
 2014/0208642 A1 7/2014 Henman
 2014/0259920 A1 9/2014 Wilson
 2015/0096225 A1 4/2015 Gervais
 2015/0237810 A1 8/2015 Van Gemert et al.
 2015/0305259 A1 10/2015 Galassi
 2016/0007545 A1 1/2016 Yen
 2016/0029574 A1 2/2016 He
 2016/0109107 A1 4/2016 Grajcar
 2016/0113222 A1 4/2016 Hori
 2016/0128288 A1 5/2016 Pettinelli et al.
 2016/0157439 A1 6/2016 Greene et al.
 2016/0183477 A1 6/2016 Kao et al.

OTHER PUBLICATIONS

Hubert. https://www.hubert.com/product/42064?CAWELAID=120051210000069880&CATARGETID=120051210000227116&cadevice=c&gclid=EAIAIQobChMI34P86_Xf4QIVz8DICH2sRA23EAQYAyABEgLjfd_BwE. "Carter Hoffman 1 Door GardenChef™ Herb Growing Cabinet". Date Unknown: Apr. 2019 (Year: 2019).
 The Image Fixer. <http://theimagefixer.com/editor/>. "Superbox CFL Grow Cabinet". Copyright 2016 (Year: 2016).
 The Urban Cultivator Commercial User Manual, (undated), available online before the filing of the present application, 25 pgs.

* cited by examiner

FIG. 1

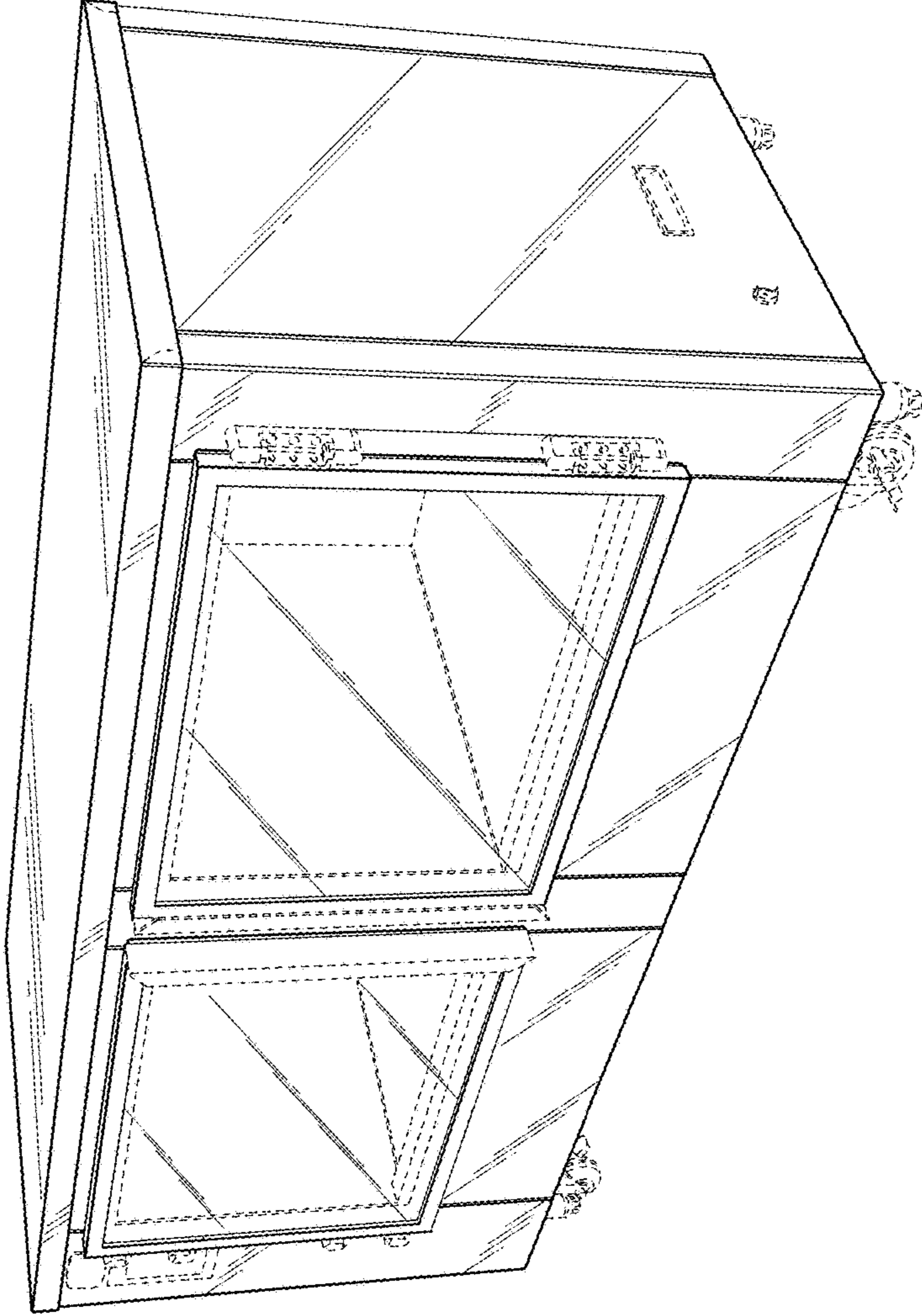


FIG. 2

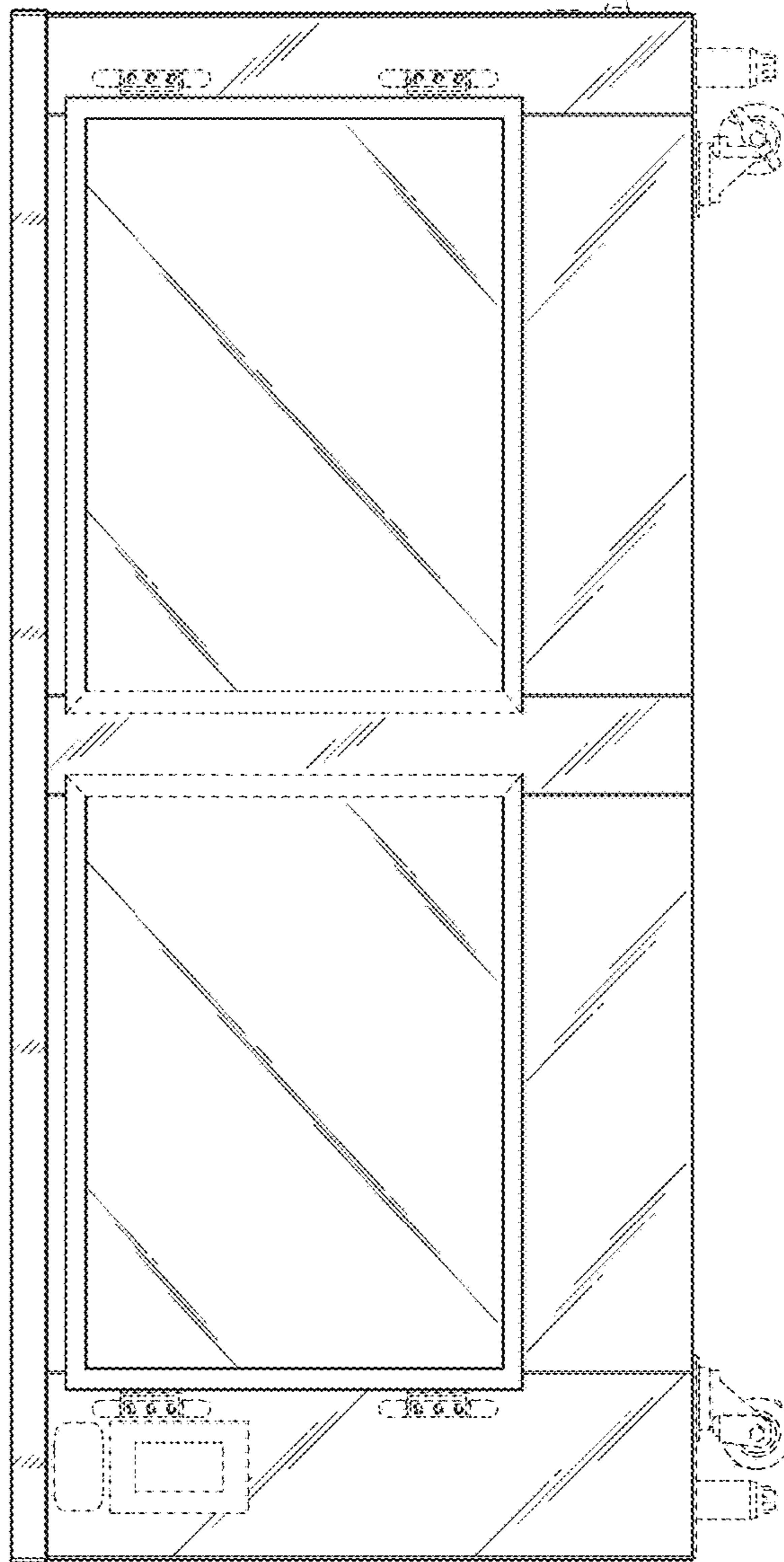


FIG. 4

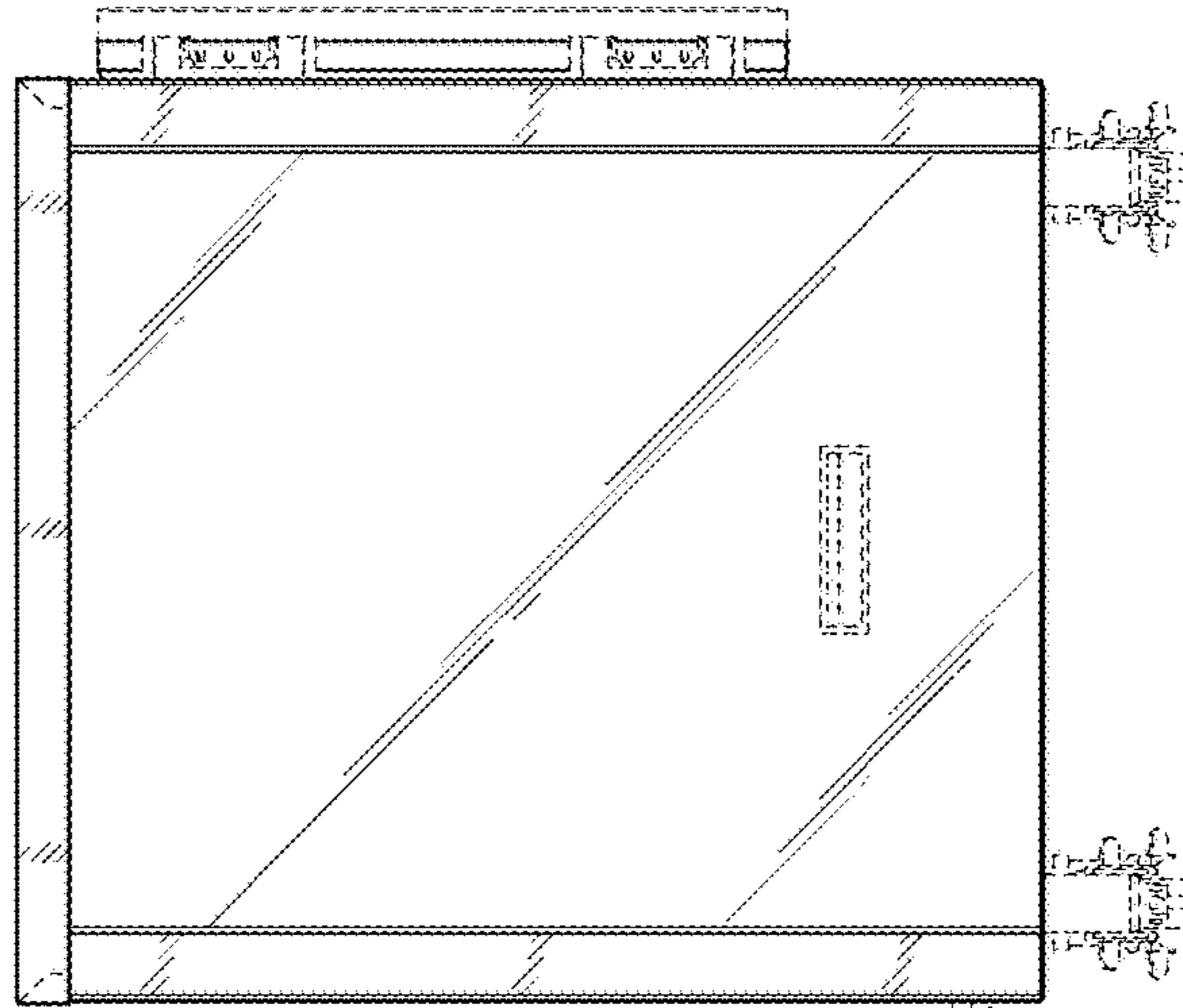


FIG. 3

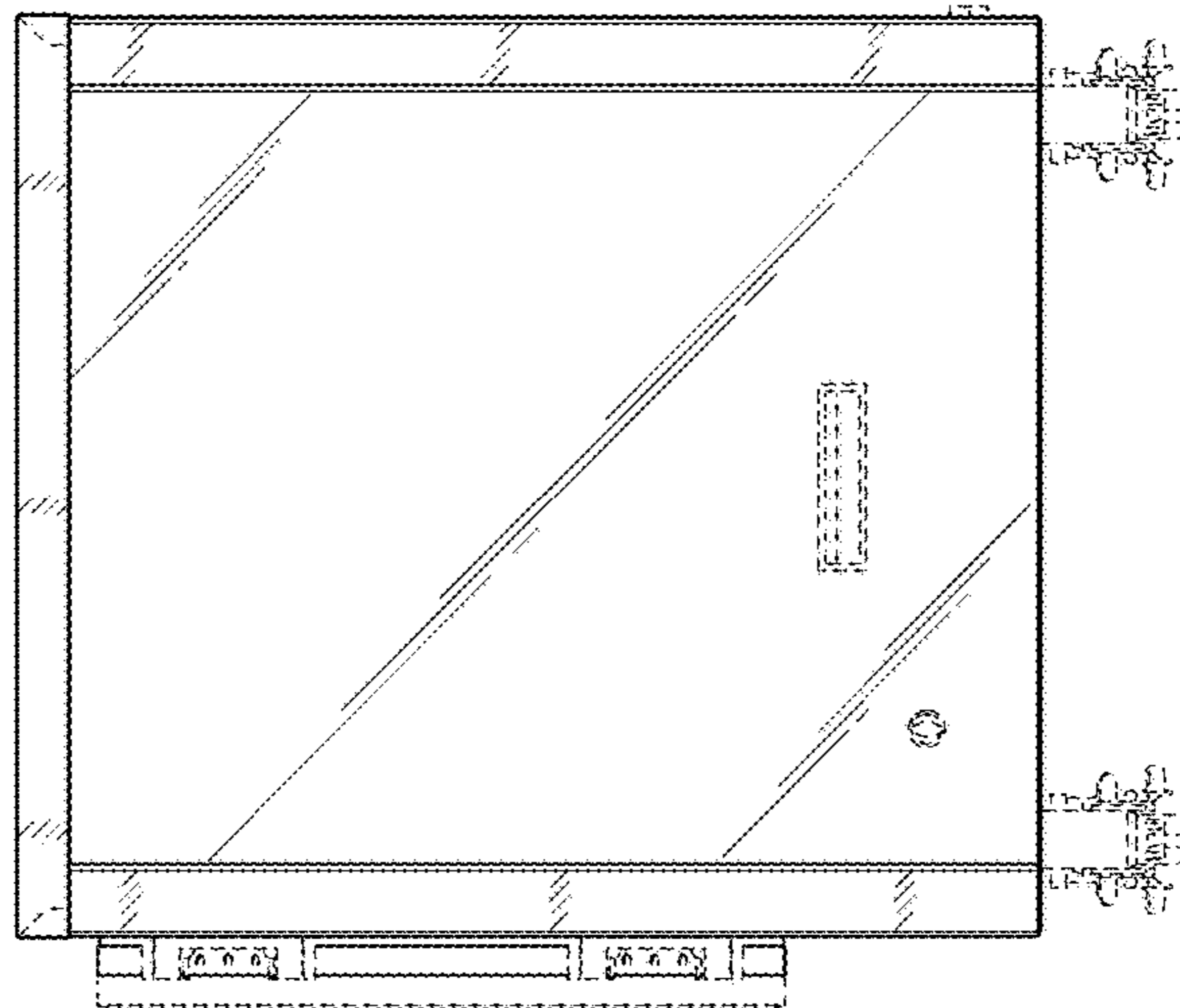


FIG. 5

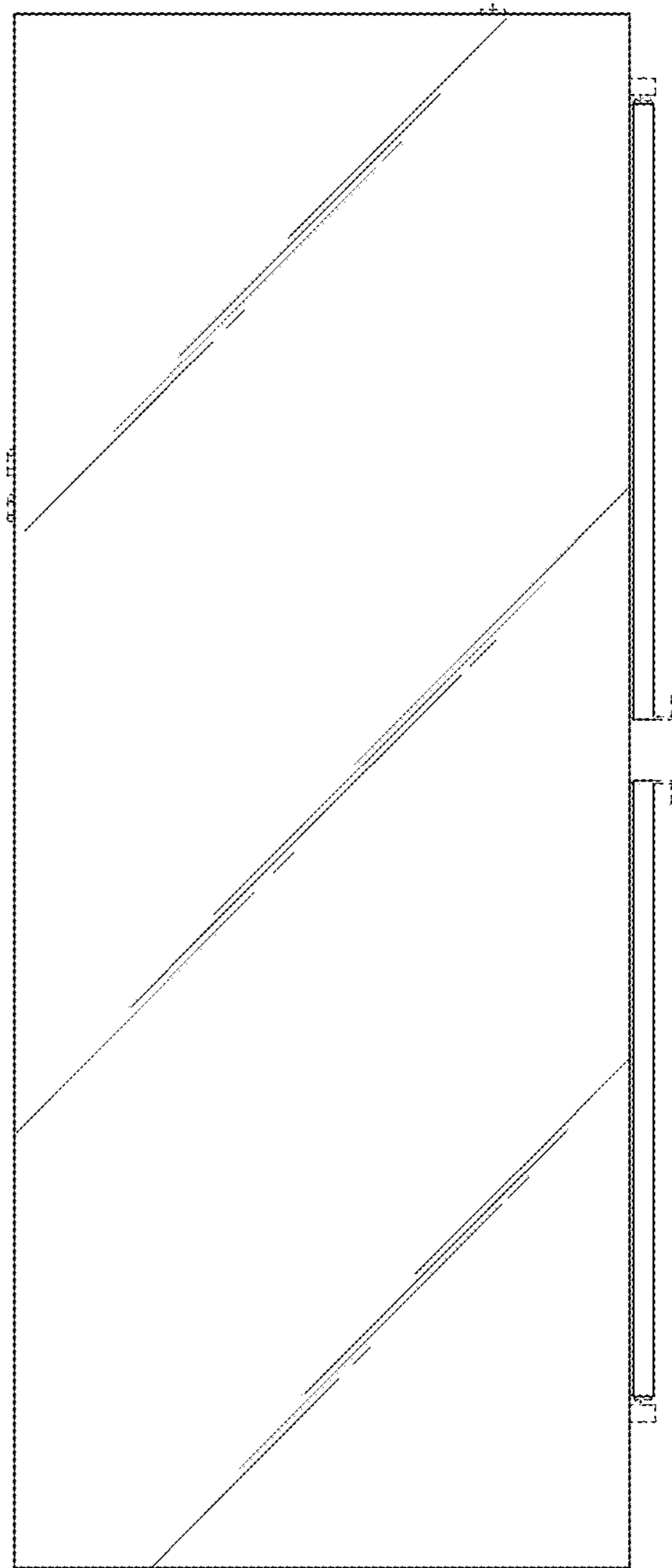


FIG. 6

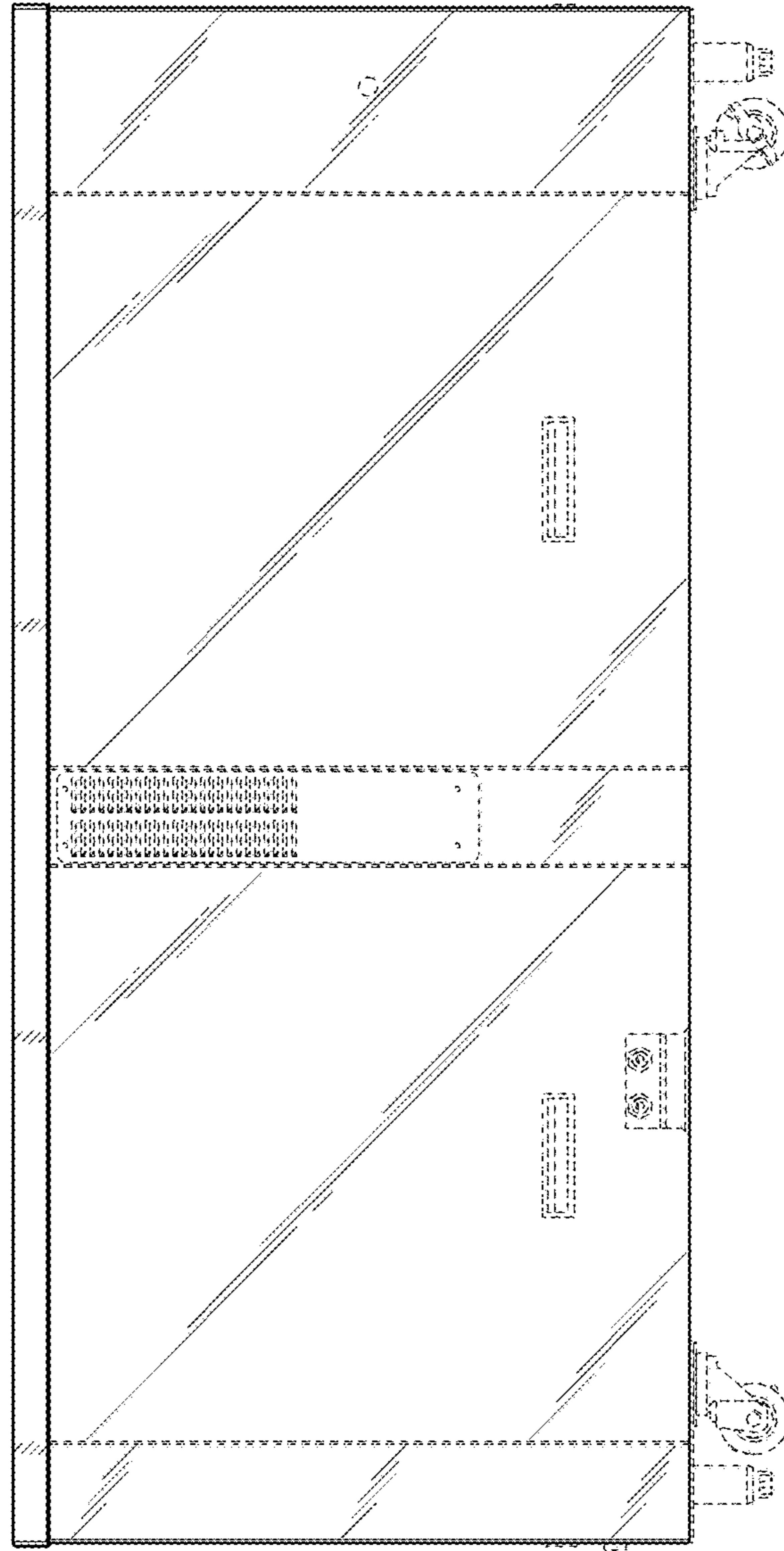


FIG. 7

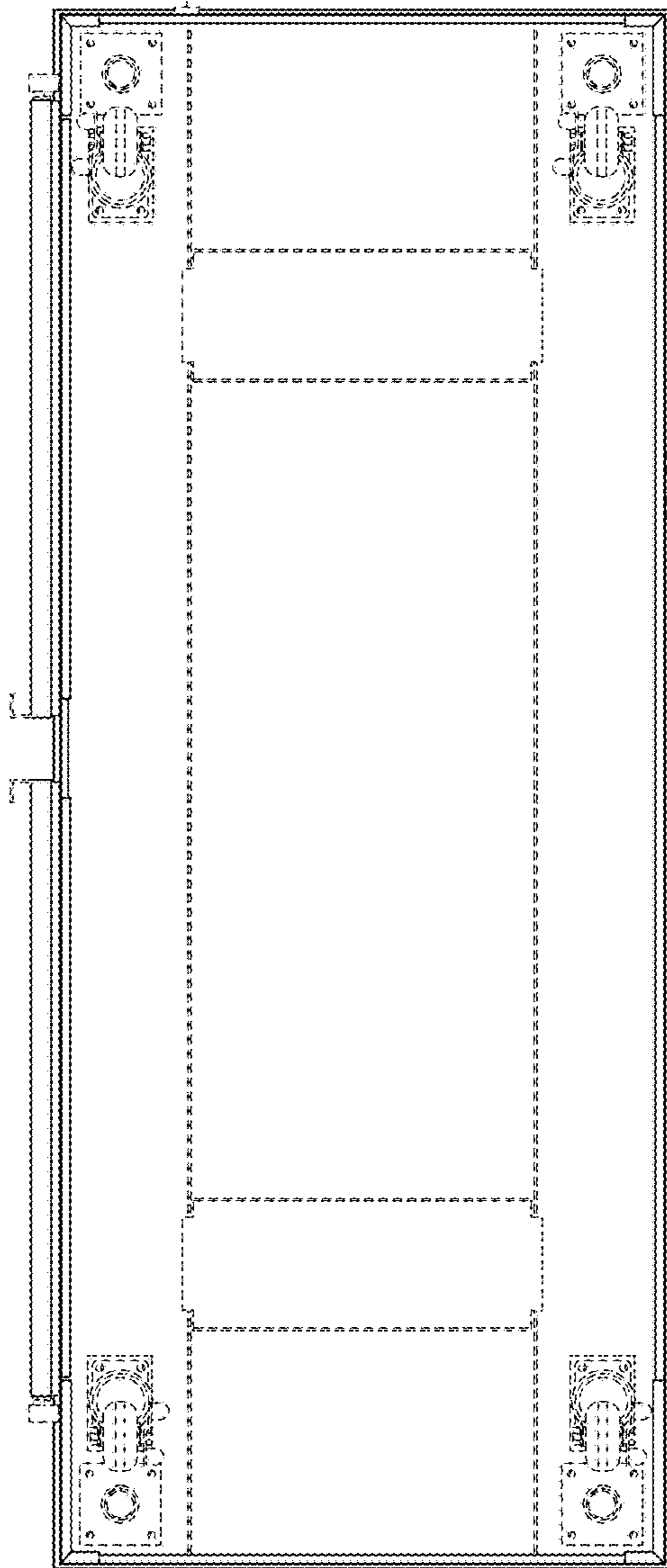


FIG. 8

