



US00D858147S

(12) **United States Design Patent** (10) **Patent No.:** **US D858,147 S**
Li (45) **Date of Patent:** **** Sep. 3, 2019**

(54) **COMPUTER DESK**
(71) Applicant: **Homy Casa Limited**, Hong Kong (HK)
(72) Inventor: **YueHai Li**, Guangzhou (CN)
(73) Assignee: **HOMY CASA LIMITED**, Sheung Wan (HK)
(**) Term: **15 Years**

D332,364 S * 1/1993 Bennett D6/691
6,182,578 B1 * 2/2001 Fanuzzi A47B 3/0912
108/132
D438,402 S * 3/2001 Walsh D19/75
D452,085 S * 12/2001 Chang D6/652
D547,970 S * 8/2007 Chou D6/655.1
D603,627 S * 11/2009 Wen D6/656.16
D618,017 S * 6/2010 Sexton D6/656.18
D833,181 S * 11/2018 Kundig D6/656.1
2002/0129746 A1 * 9/2002 Donnelly A47B 13/16
108/25

(21) Appl. No.: **29/633,426**
(22) Filed: **Jan. 13, 2018**
(51) **LOC (12) Cl.** **06-03**
(52) **U.S. Cl.**
USPC **D6/655.18**
(58) **Field of Classification Search**
USPC D6/652, 654, 654.1, 654.17, 655, 655.1,
D6/655.11, 655.13, 655.14, 655.18, 656,
D6/656.12, 656.13, 656.15, 656.16,
D6/656.17, 656.19, 675, 686, 687, 688,
D6/691, 698, 707.19, 708.21
CPC .. A47B 3/00; A47B 3/08; A47B 3/083; A47B
3/087; A47B 21/00; A47B 21/02; A47B
21/03; A47B 21/06; A47B 21/0073; A47B
21/0076; A47B 21/0314
See application file for complete search history.

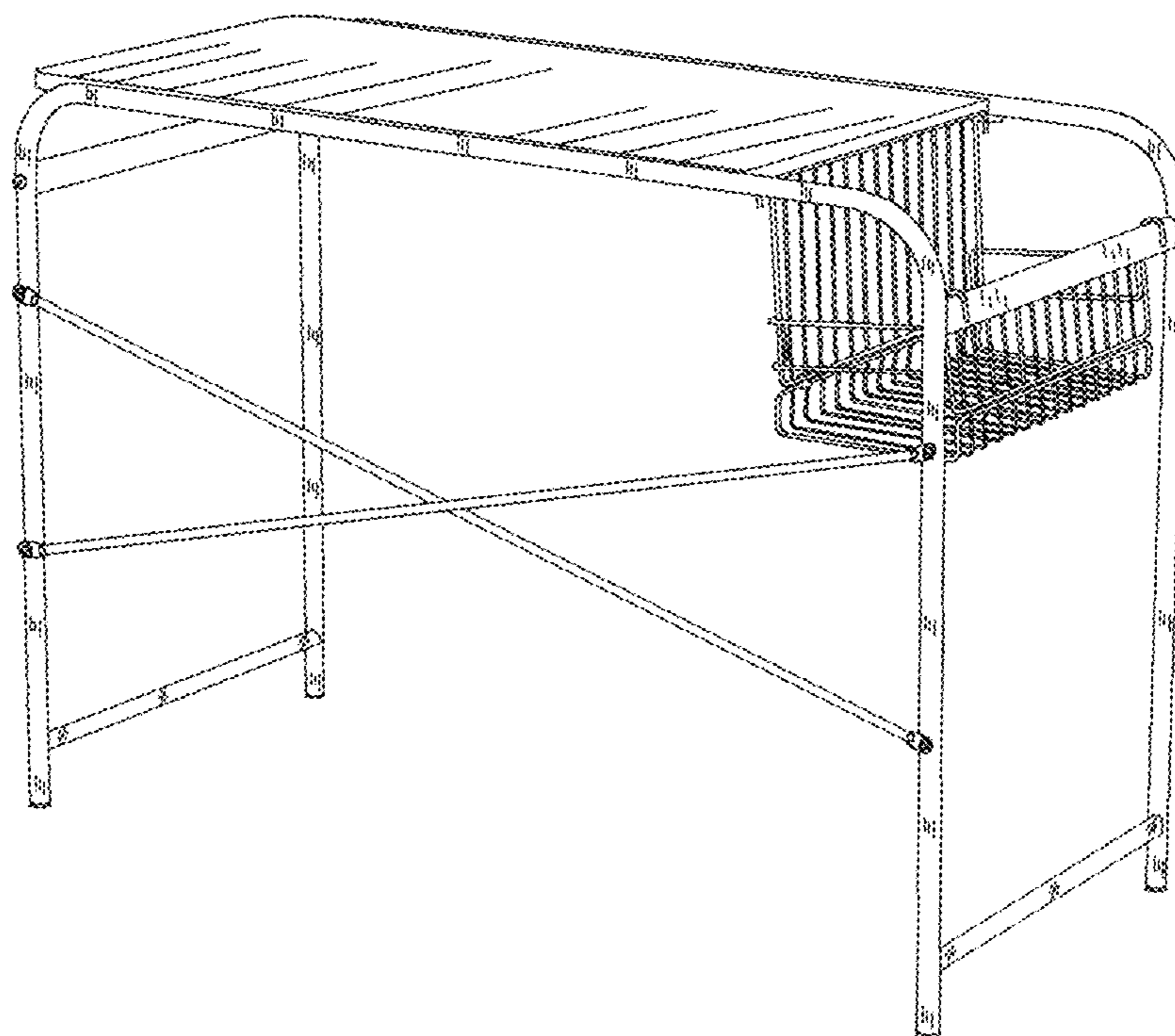
* cited by examiner
Primary Examiner — Mary Ann Calabrese
Assistant Examiner — Catherine Ho
(74) *Attorney, Agent, or Firm* — Hauptman Ham, LLP

(56) **References Cited**
U.S. PATENT DOCUMENTS
4,333,638 A * 6/1982 Gillotti A47B 3/087
108/36
4,776,429 A * 10/1988 Osborn B65G 69/22
182/144

(57) **CLAIM**
I claim the ornamental design for a computer desk, as shown.

DESCRIPTION
FIG. 1 is a back view of a computer desk, showing my new design;
FIG. 2 is a front view thereof;
FIG. 3 is a right view thereof
FIG. 4 is a left view thereof;
FIG. 5 is a top view thereof;
FIG. 6 is a bottom view thereof; and,
FIG. 7 is a perspective view thereof.

1 Claim, 7 Drawing Sheets



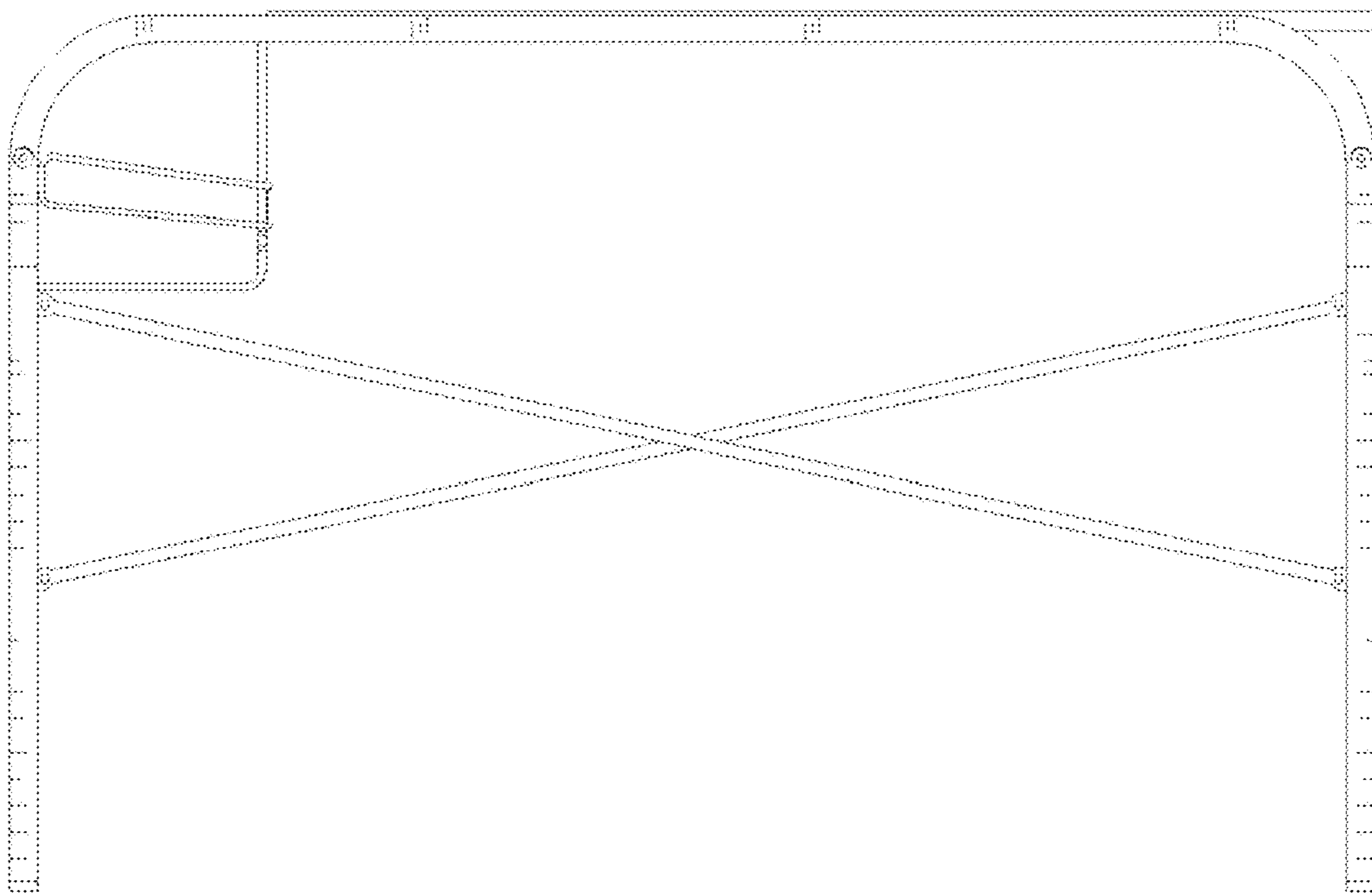


FIG. 1

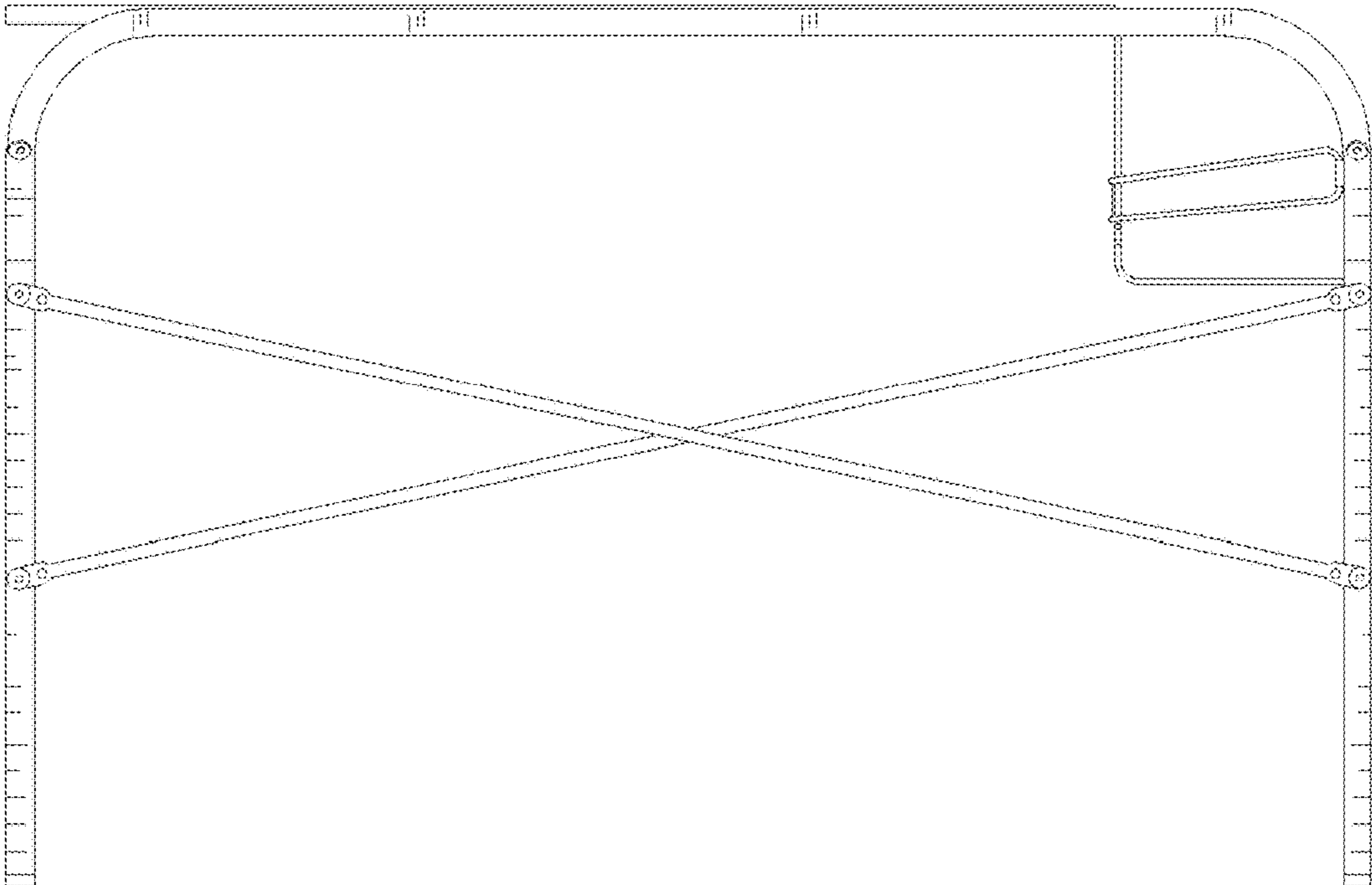


FIG. 2

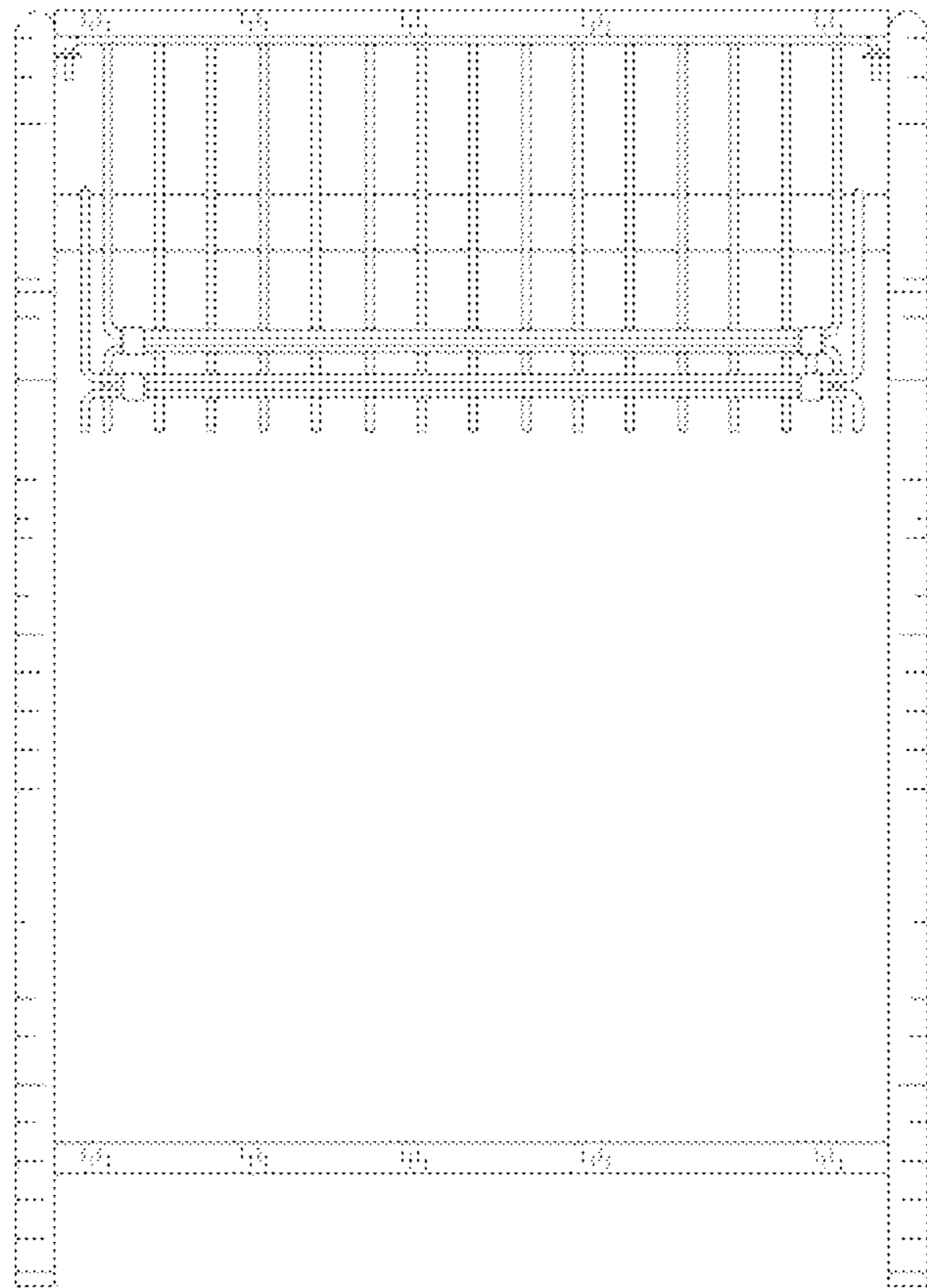


FIG. 3

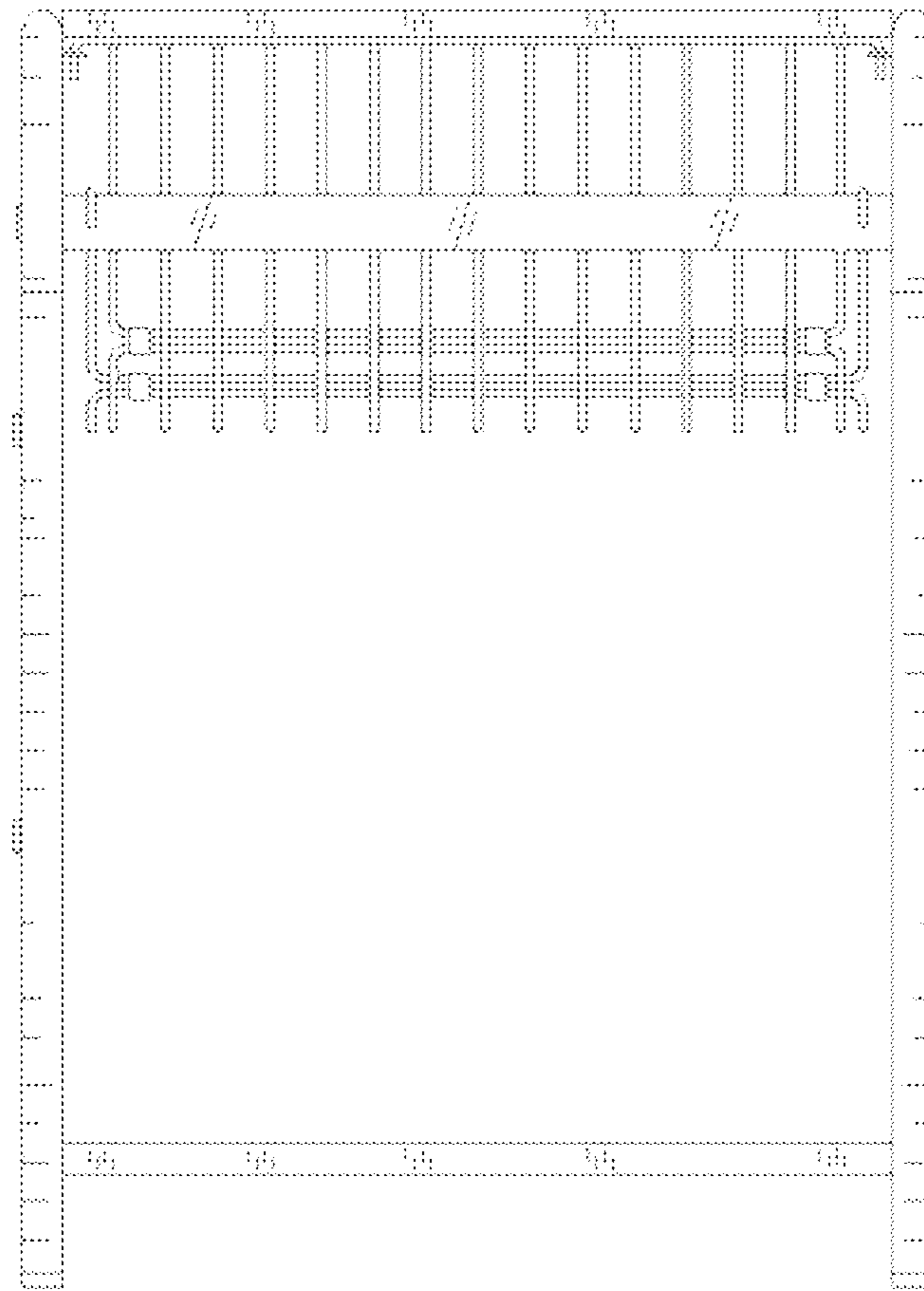


FIG. 4

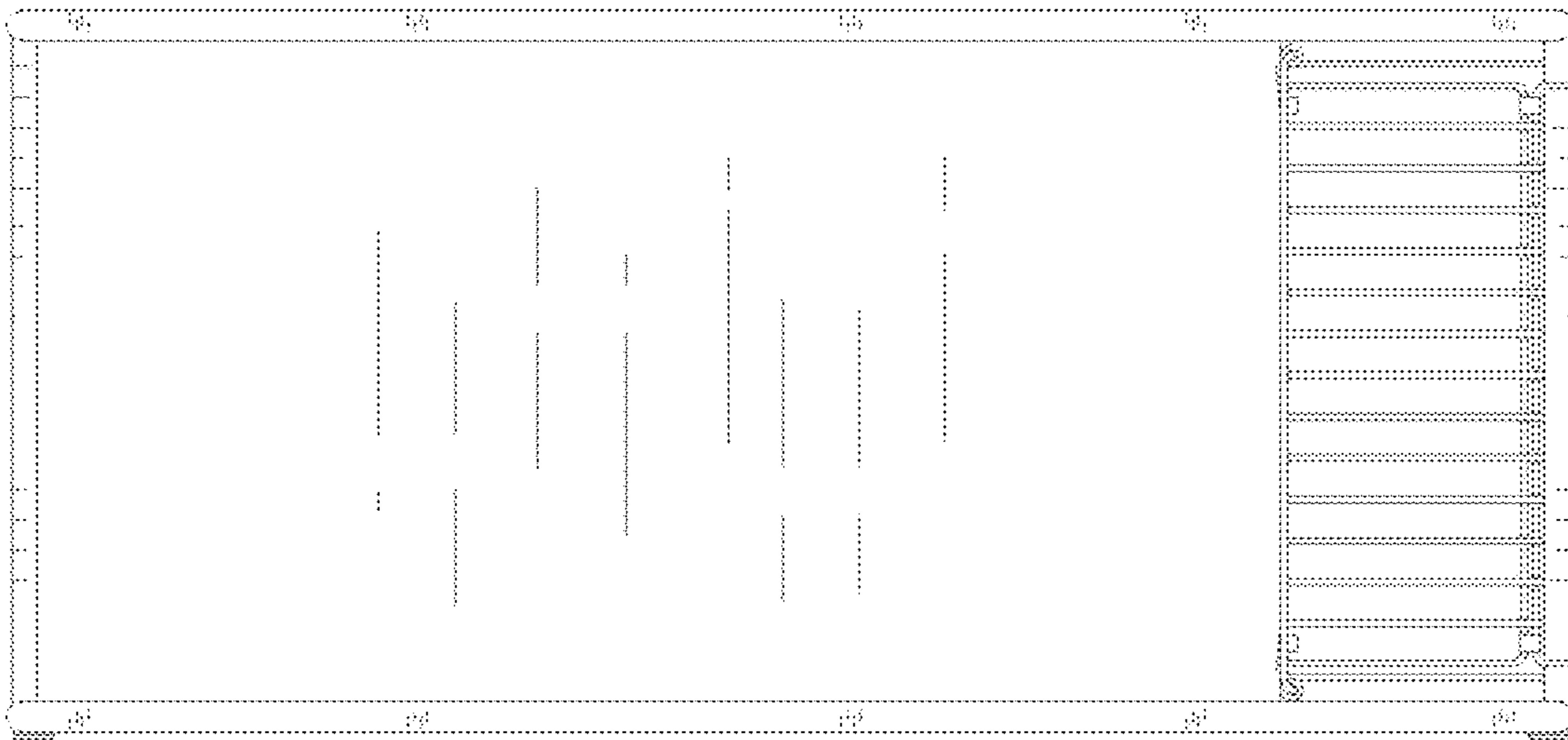


FIG. 5

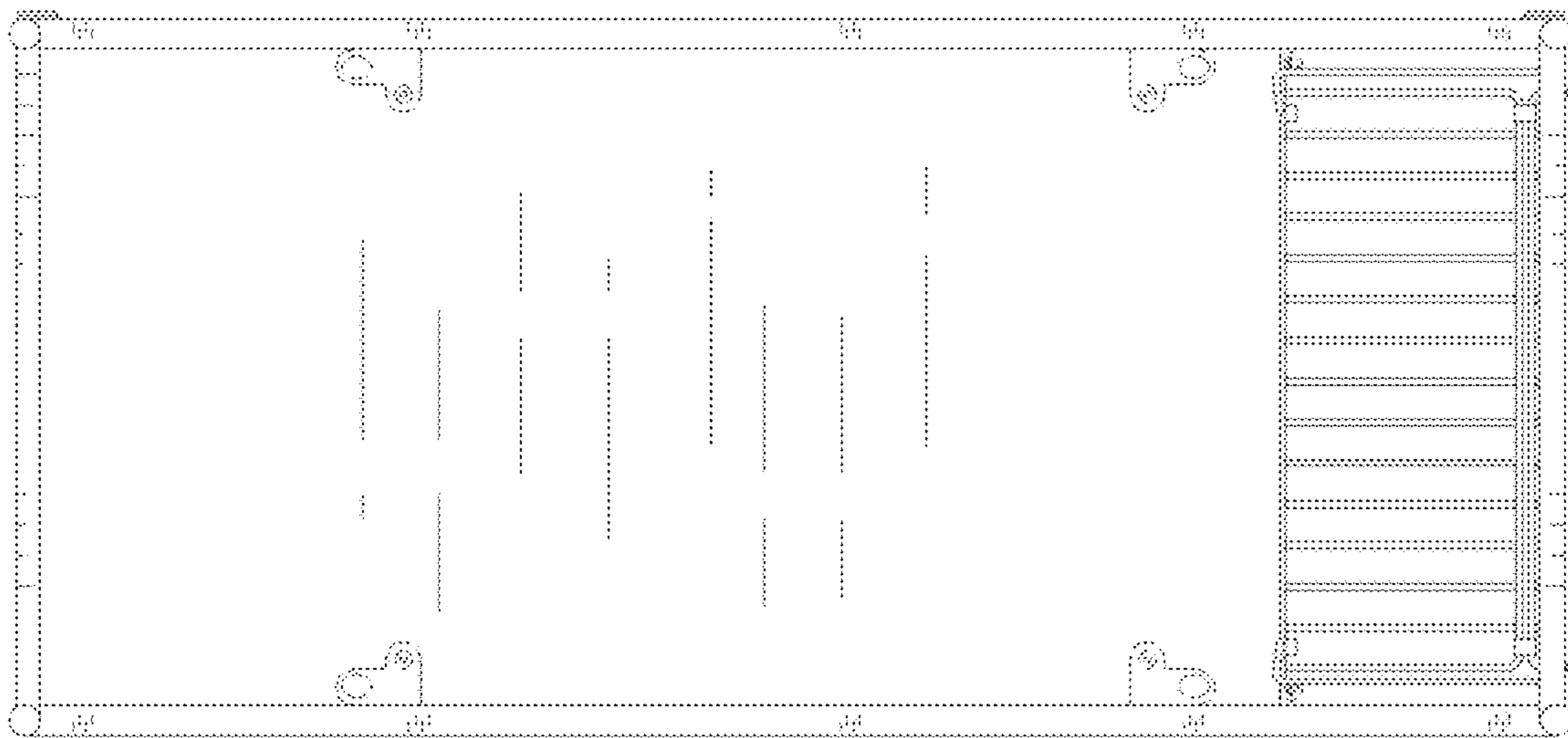


FIG. 6

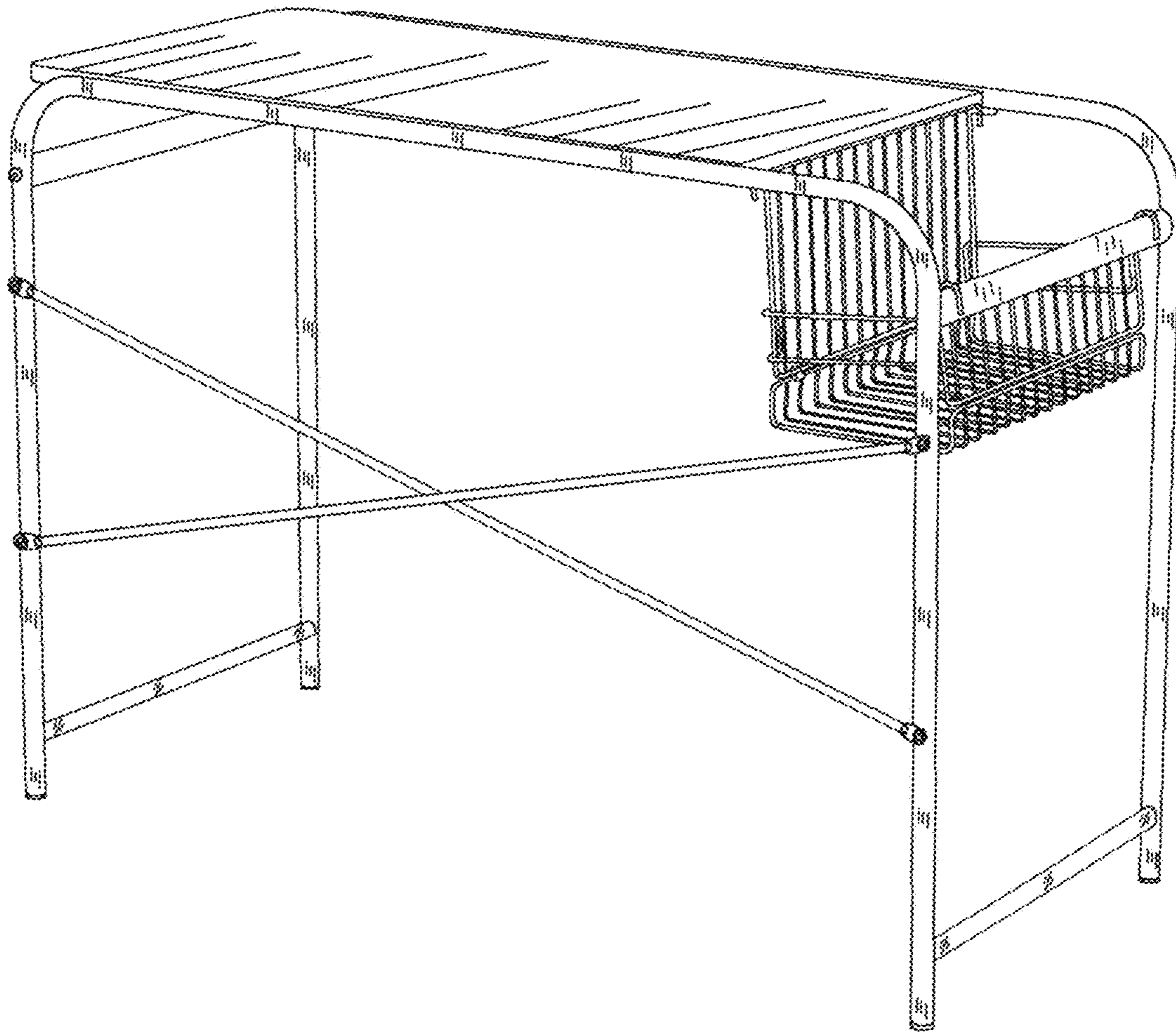


FIG. 7