



US00D858140S

(12) **United States Design Patent** (10) **Patent No.:** **US D858,140 S**  
**McConnell et al.** (45) **Date of Patent:** **\*\* Sep. 3, 2019**

(54) **DIAPER CHANGING PAD**  
(71) Applicant: **Prince Lionheart, Inc.**, Santa Maria, CA (US)  
(72) Inventors: **Kelly McConnell**, Santa Maria, CA (US); **Michael McConnell**, Santa Maria, CA (US)  
(73) Assignee: **Prince Lionheart, Inc.**, Santa Maria, CA (US)  
(\*\*) Term: **15 Years**  
(21) Appl. No.: **29/615,626**  
(22) Filed: **Aug. 30, 2017**  
(51) **LOC (12) Cl.** ..... **06-09**  
(52) **U.S. Cl.**  
USPC ..... **D6/596**  
(58) **Field of Classification Search**  
USPC ..... D6/582-583, 587-592, 595-609, D6/617-622; D2/719; D24/183-184, D24/234  
CPC ..... A47G 9/00; A47G 2009/001; A47G 2009/002; A47G 2009/003; A47G 2009/005; A47G 9/02; A47G 9/0207; A47G 9/0215; A47G 9/0223; A47G 9/023; A47G 9/0238; A47G 9/0246; A47G 9/0253; A47G 9/0261; A47G 9/06; A47G 9/062; A47G 9/066; A47G 9/08; A47G 9/083; A47G 9/086; A47G 9/04; A47G 2009/0276; A47G 9/0292  
See application file for complete search history.

(56) **References Cited**  
U.S. PATENT DOCUMENTS  
4,030,719 A \* 6/1977 Gabriele ..... A61B 6/0421 5/601  
D317,994 S \* 7/1991 Collins ..... 5/655  
5,165,130 A \* 11/1992 Wendling ..... A47D 13/08 5/424  
D332,175 S \* 1/1993 Beplate ..... D3/213

D407,671 S \* 4/1999 Muhanna ..... D12/128  
6,154,906 A \* 12/2000 Erli ..... A47D 15/008 5/655  
D456,906 S \* 5/2002 Graham ..... 5/630  
D463,702 S \* 10/2002 Ku ..... D6/604  
D494,404 S \* 8/2004 Corbett ..... D6/596  
(Continued)

**OTHER PUBLICATIONS**

Illumipad: Illuminating changing pad with cream cover, dated: Oct. 26, 2017 [online], [site visited Jan. 20, 2019]. Available from Internet, <URL: <https://www.princelionheart.com/nursery/9251-1-worldwide-patents-pending-all-new-illumipad-illuminating-changing-pad-with-cream-cover.html>> (Year: 2017).\*

*Primary Examiner* — Michelle E. Wilson  
*Assistant Examiner* — Sanjeev Paul  
(74) *Attorney, Agent, or Firm* — WPAT, P.C., Intellectual Property Attorneys; Anthony King

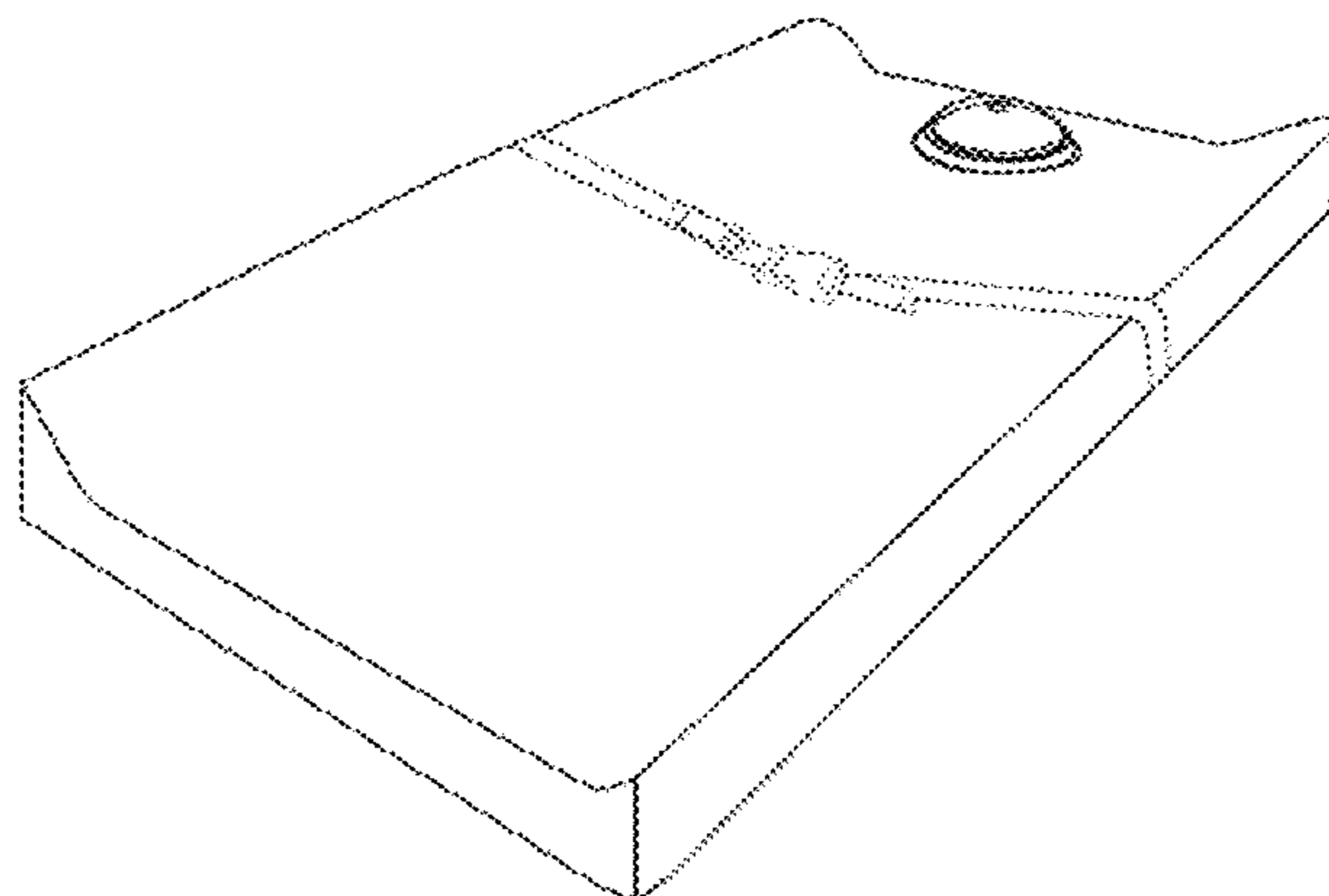
(57) **CLAIM**

The ornamental design for a diaper changing pad, set as shown and described.

**DESCRIPTION**

FIG. 1 is a right side perspective top view of the diaper changing pad, the left side view being a mirror image thereof;  
FIG. 2 is a top view of the diaper changing pad of FIG. 1;  
FIG. 3 is a bottom view of the diaper changing pad of FIG. 1;  
FIG. 4 is a front view of the diaper changing pad of FIG. 1, the back side being a mirror image thereof; and,  
FIG. 5 is a left side view of the diaper changing pad of FIG. 1; the right side being a mirror image thereof.  
The broken lines shown in FIGS. 1-5 illustrate portions of the diaper changing pad that form no part of the claimed design.

**1 Claim, 5 Drawing Sheets**



(56)

**References Cited**

U.S. PATENT DOCUMENTS

D707,982 S \* 7/2014 Chin ..... D6/601  
D748,931 S \* 2/2016 Corigliano ..... D6/601  
D752,358 S \* 3/2016 Pribyl ..... D6/595  
10,149,550 B1 \* 12/2018 Bain ..... A47D 5/00  
2014/0082848 A1 \* 3/2014 Fort ..... A47D 15/008  
5/655  
2014/0257402 A1 \* 9/2014 Barsoum ..... A61G 13/00  
606/279  
2015/0327689 A1 \* 11/2015 Howard ..... A47D 5/00  
5/655  
2017/0112295 A1 \* 4/2017 McConnell ..... A47D 15/00  
2017/0112296 A1 \* 4/2017 McConnell ..... A47D 5/00  
2018/0106664 A1 \* 4/2018 Bottomly ..... G01G 19/44  
2018/0177308 A1 \* 6/2018 Heimbuch ..... A47D 5/00

\* cited by examiner

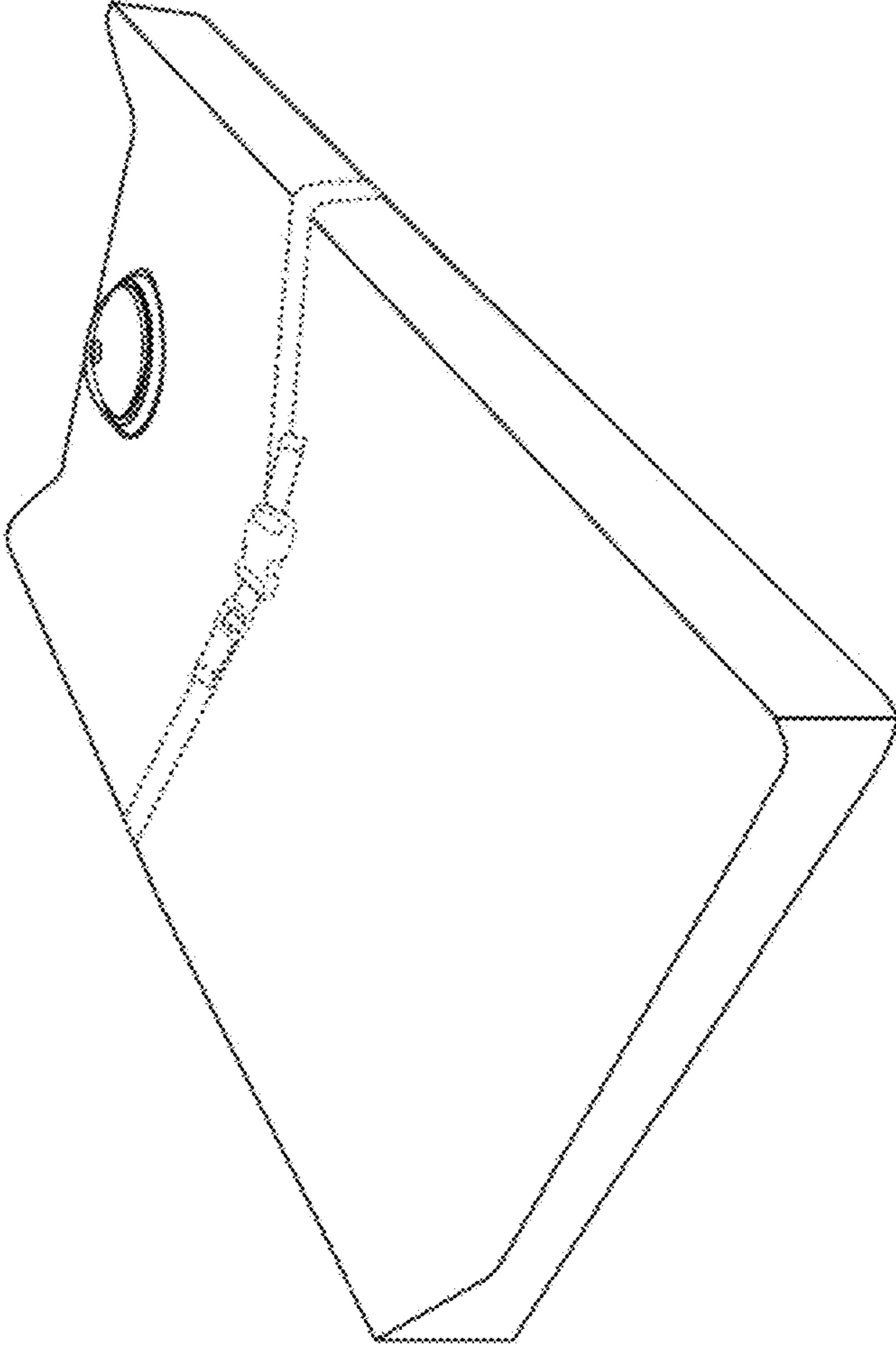


Fig. 1

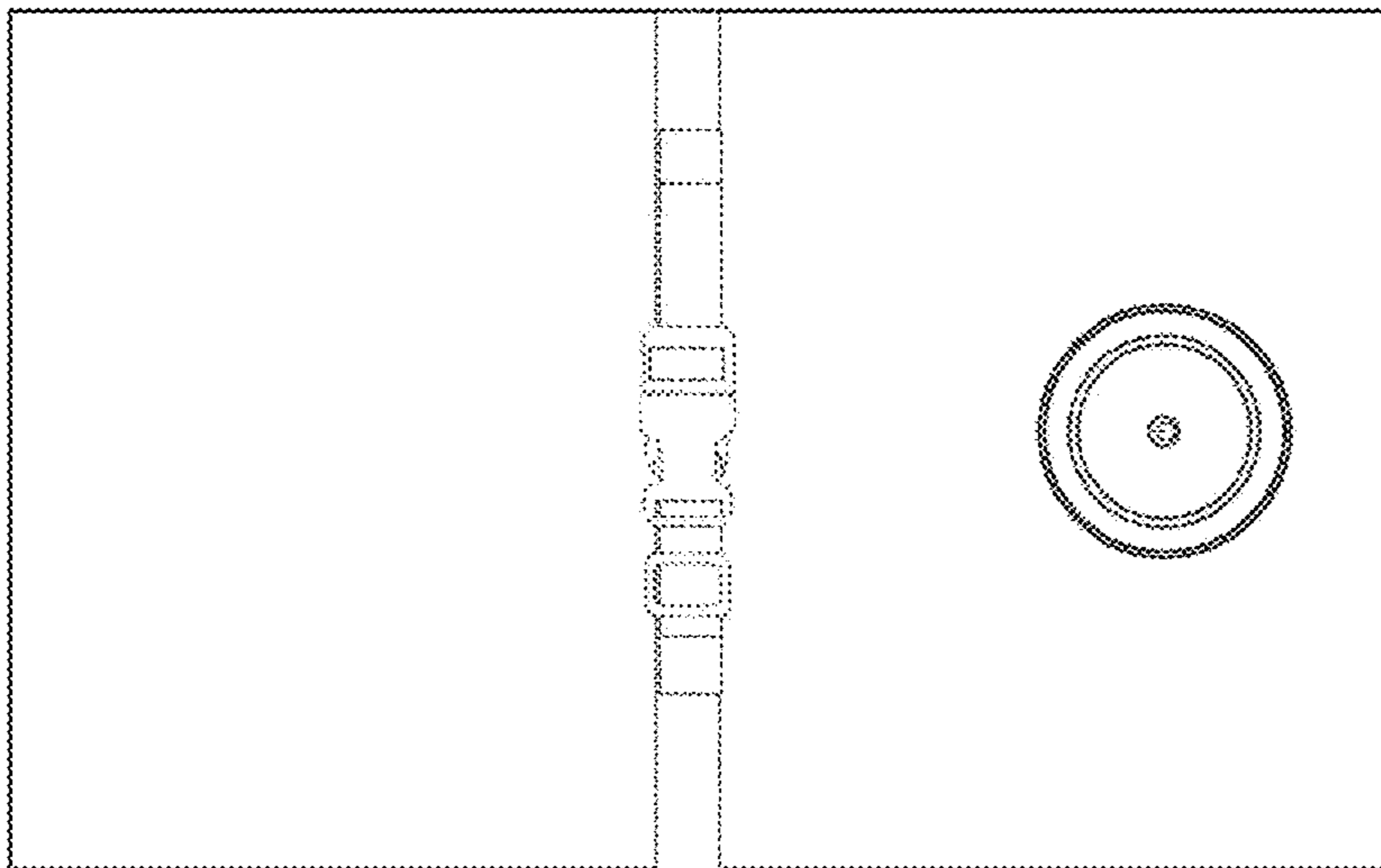


Fig. 2

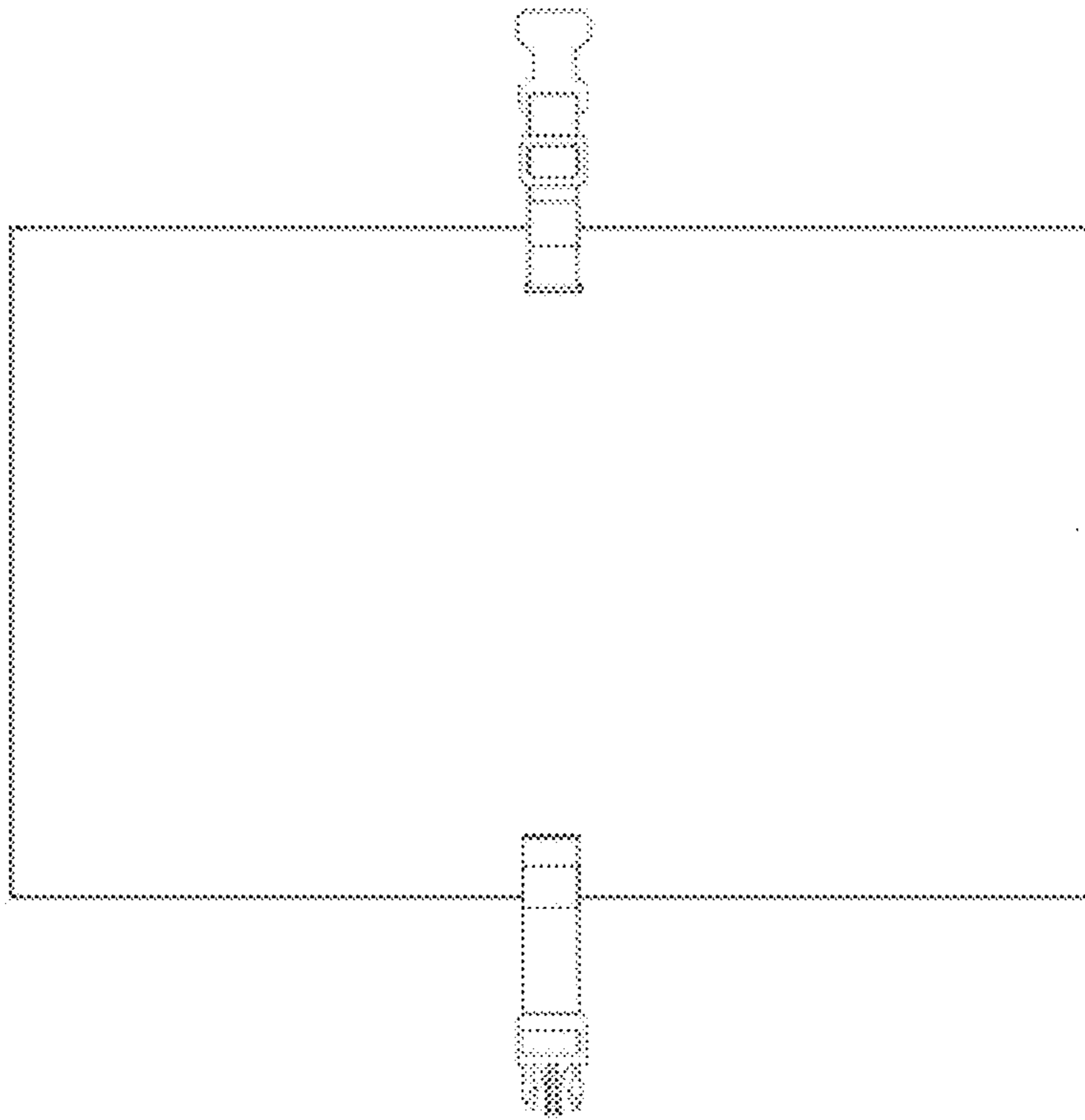


Fig. 3

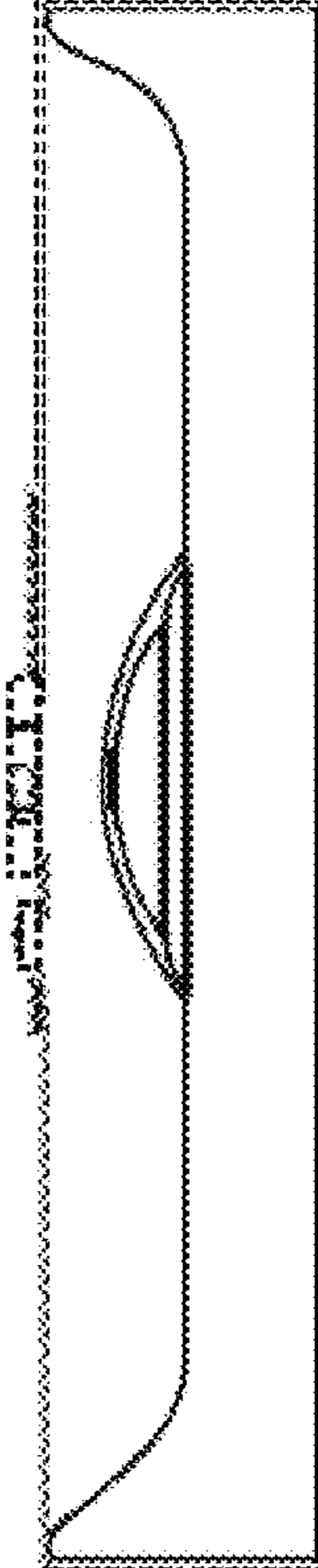


Fig. 4

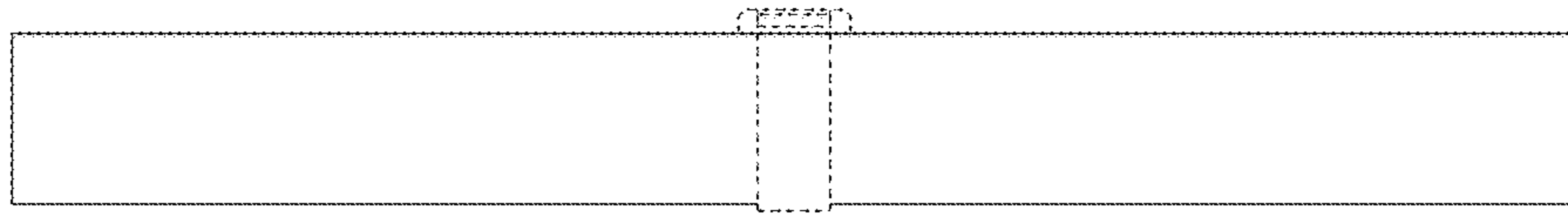


Fig.5