



US00D858136S

(12) **United States Design Patent** (10) **Patent No.:** **US D858,136 S**
Burgeson (45) **Date of Patent:** **** Sep. 3, 2019**

(54) **BEDSIDE CADDY**
(71) Applicant: **Benjamin Carl Burgeson**, Stratford, CT (US)
(72) Inventor: **Benjamin Carl Burgeson**, Stratford, CT (US)
(**) Term: **15 Years**
(21) Appl. No.: **29/621,883**
(22) Filed: **Oct. 12, 2017**
(51) **LOC (12) Cl.** **06-06**
(52) **U.S. Cl.**
USPC **D6/513**
(58) **Field of Classification Search**
USPC D6/512-514, 524, 525, 536, 540, 553, D6/555-567; D3/303, 305, 308, 310, D3/313, 315-317, 319, 902; 190/1, 9, 190/11, 13 R, 104, 106, 107, 110, 111, 190/115; 206/9, 278, 286, 289, 278.1, 206/298, 315.1, 579; 211/13.1, 26.1, 211/85.3, 86.01, 113; 220/9.1, 666, 912; 224/249; 604/326
CPC A61G 7/0503; A61B 50/30
See application file for complete search history.

6,598,839 B2 7/2003 Loughman
D642,841 S * 8/2011 Dretzka D6/553
D667,634 S * 9/2012 Link D3/315
D681,985 S * 5/2013 Cramer D6/513
D815,835 S * 4/2018 Levie D3/310
D817,020 S * 5/2018 Polifroni D6/513
2002/0018601 A1 2/2002 Nelson
2011/0126353 A1 6/2011 Veenendaal
2012/0079658 A1 4/2012 Christoffel
2014/0131530 A1 5/2014 Webb
2016/0134320 A1 5/2016 Schaar
2017/0164755 A1 6/2017 San Martin

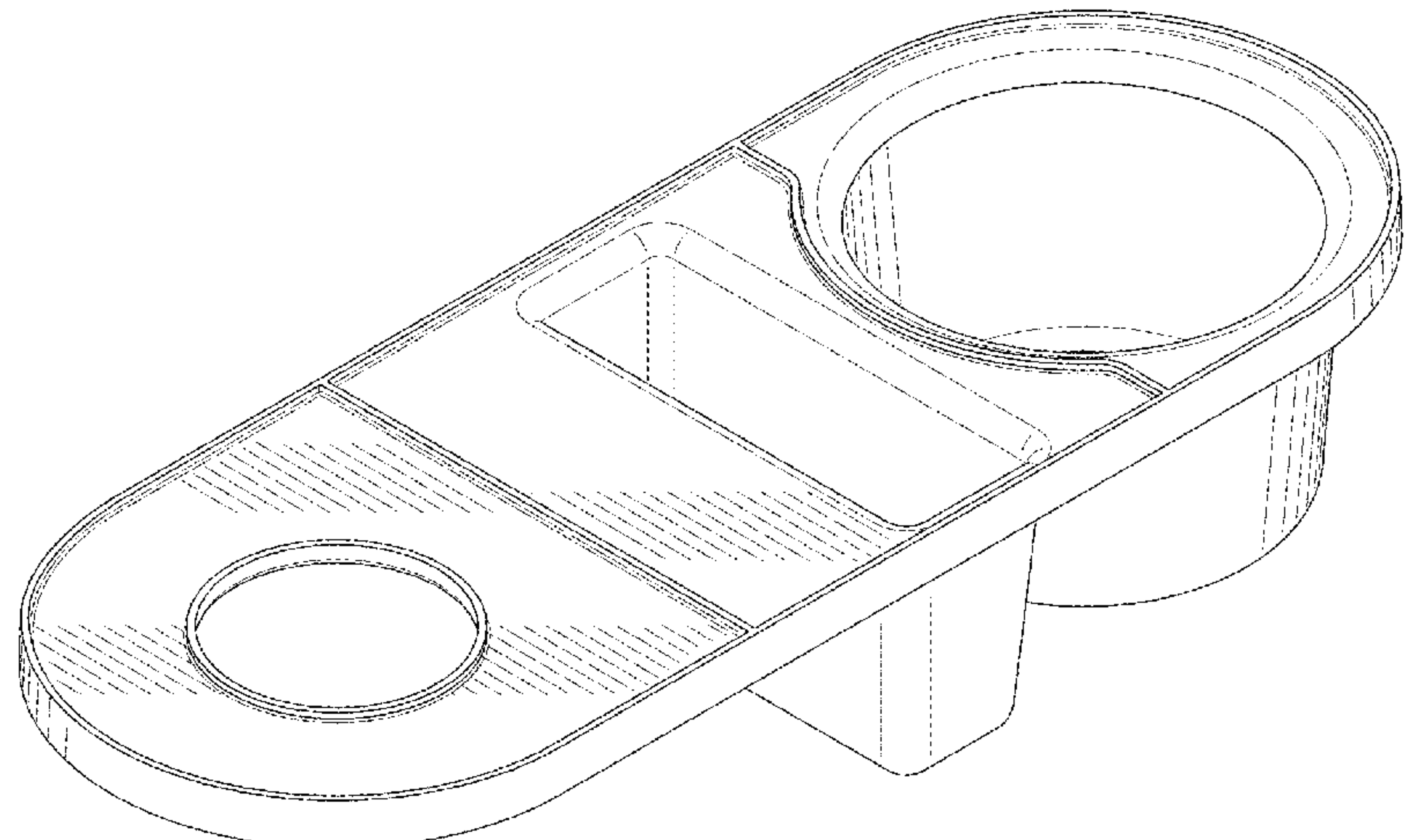
* cited by examiner
Primary Examiner — Wan Laymon
Assistant Examiner — Mark Booker
(74) *Attorney, Agent, or Firm* — Michael A Blake

(56) **References Cited**
U.S. PATENT DOCUMENTS
5,642,541 A 7/1997 Corbin
6,148,459 A 11/2000 Verhulst

(57) **CLAIM**
The ornamental design for a bedside caddy, as shown and described.

DESCRIPTION
FIG. 1 is a perspective view of a bedside caddy; FIG. 2 is a front view of the bedside caddy; FIG. 3 is a rear view of the bedside caddy; FIG. 4 is a left side view of the bedside caddy; FIG. 5 is a right side view of the bedside caddy; FIG. 6 is top view of the bedside caddy; and, FIG. 7 is a bottom view of the bedside caddy. The broken lines in the figures represent portions of the bedside caddy that form no part of the claimed design.

1 Claim, 4 Drawing Sheets



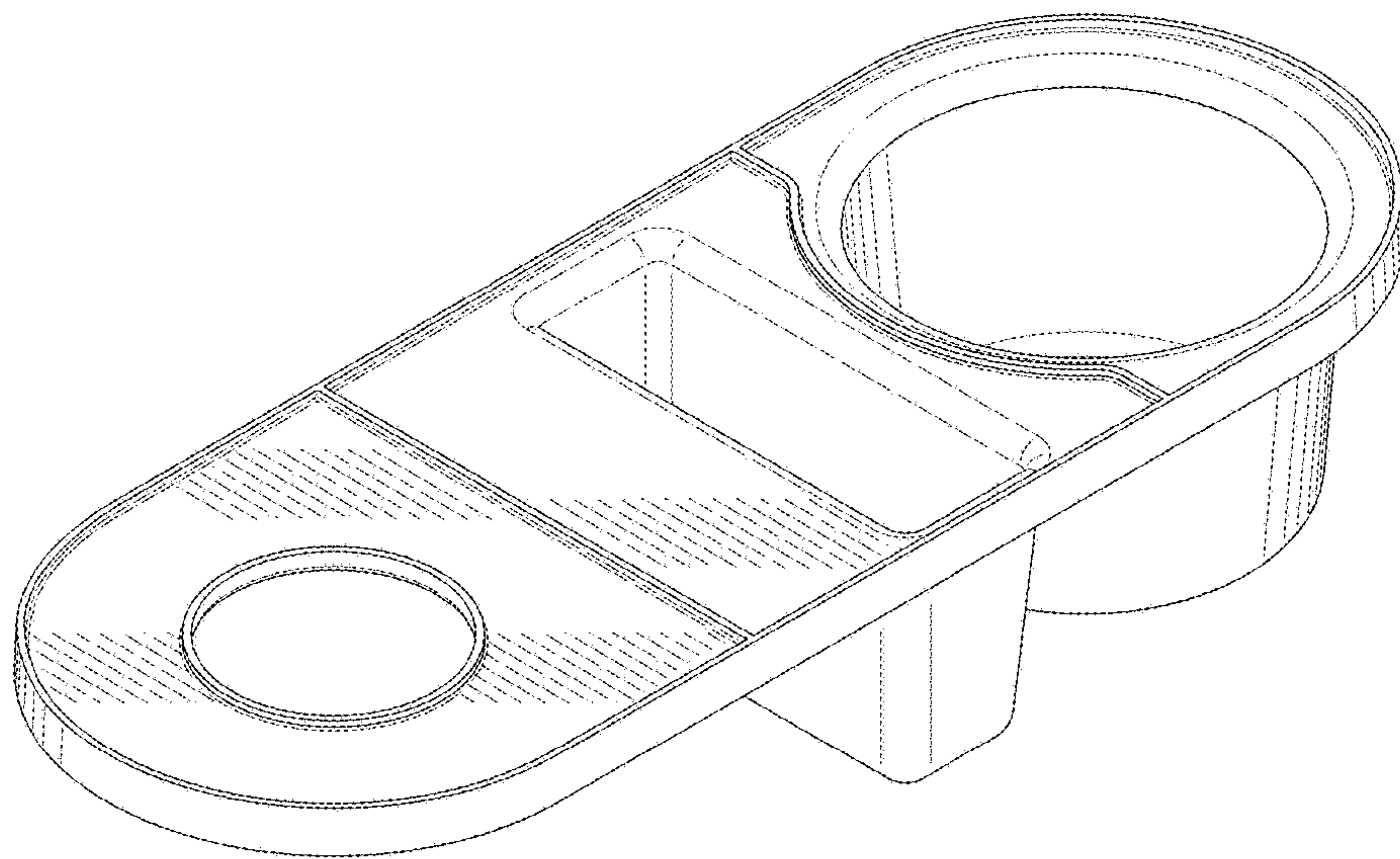


FIG. 1

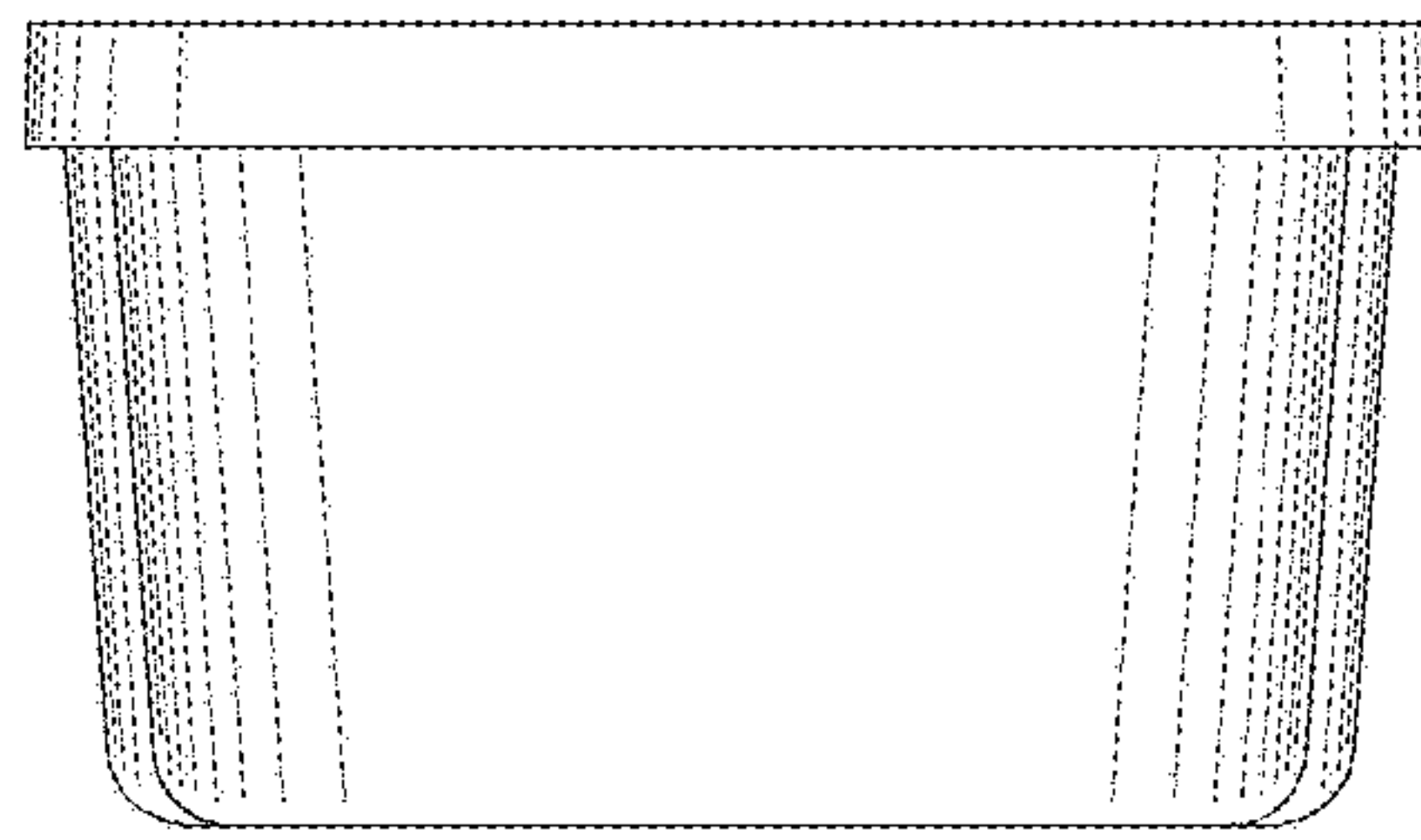


FIG. 2

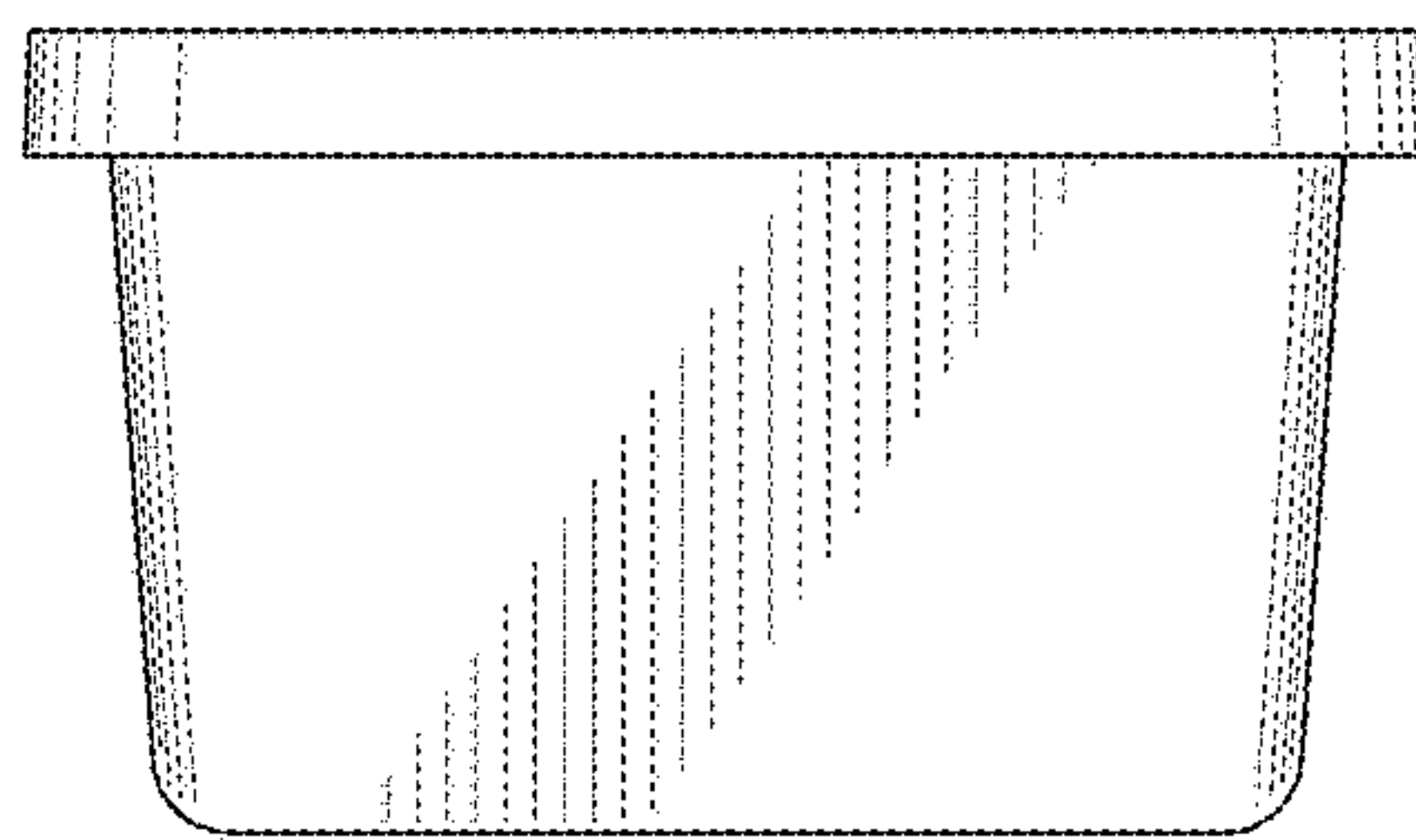


FIG. 3

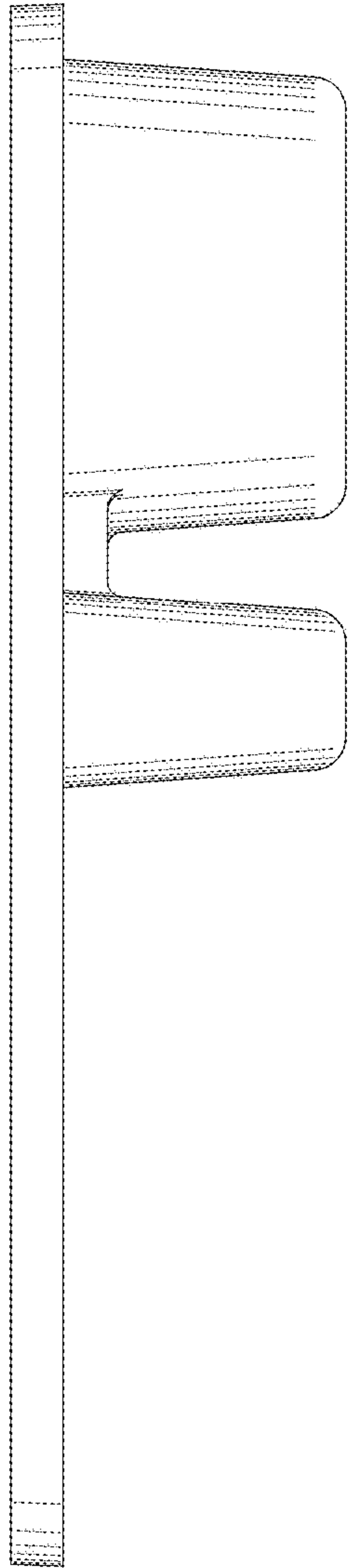


FIG. 4

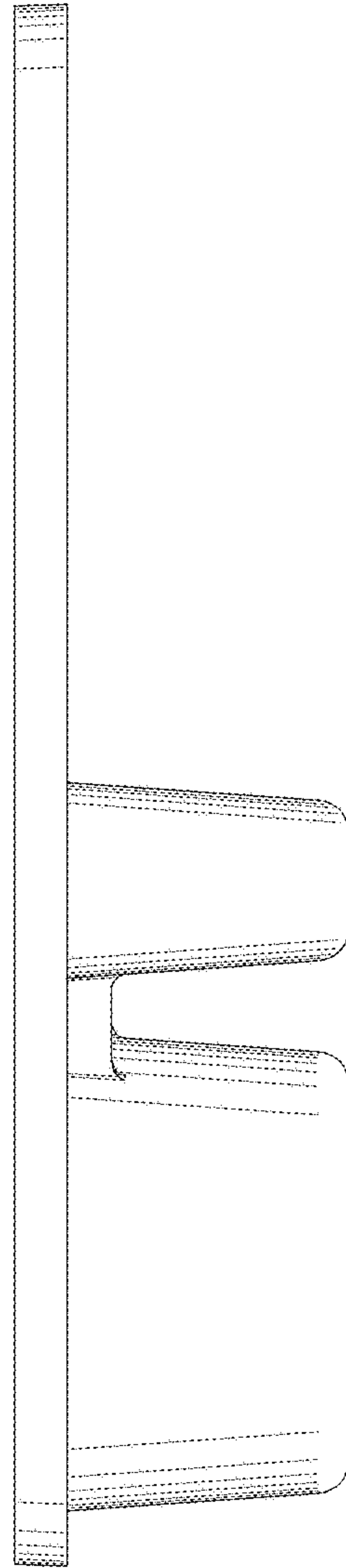


FIG. 5

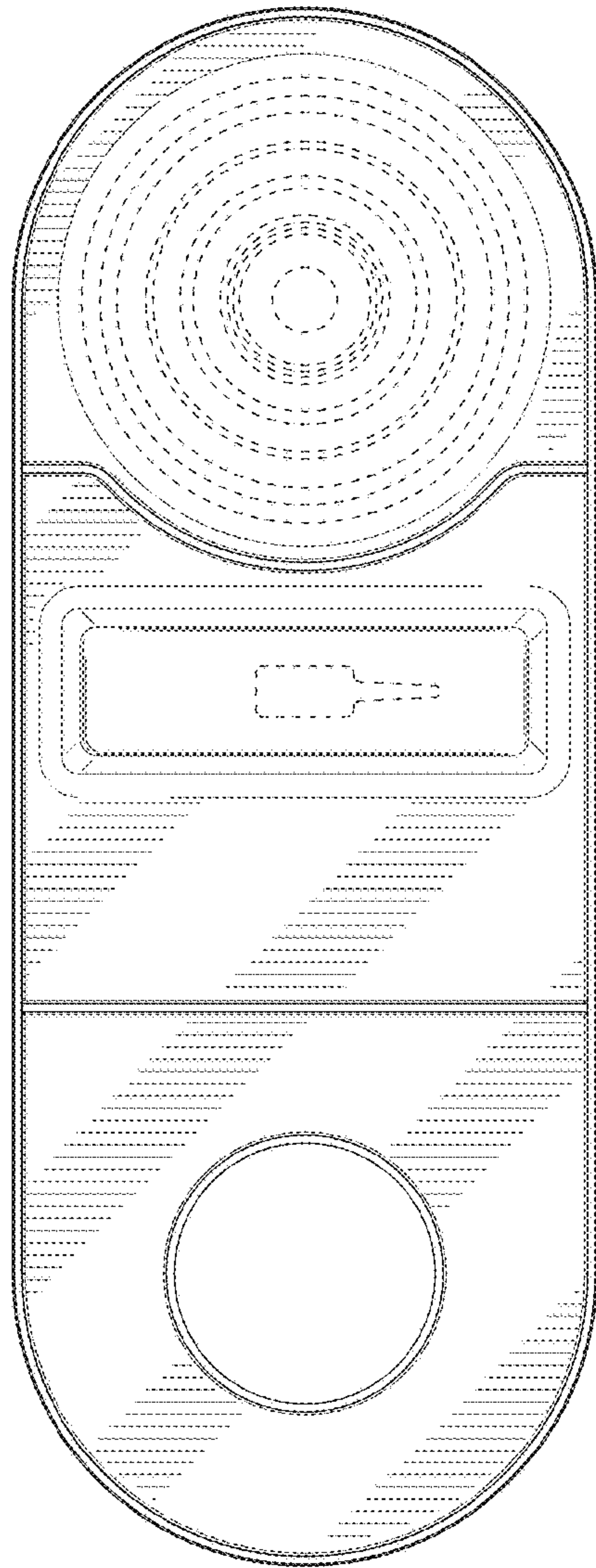


FIG. 6

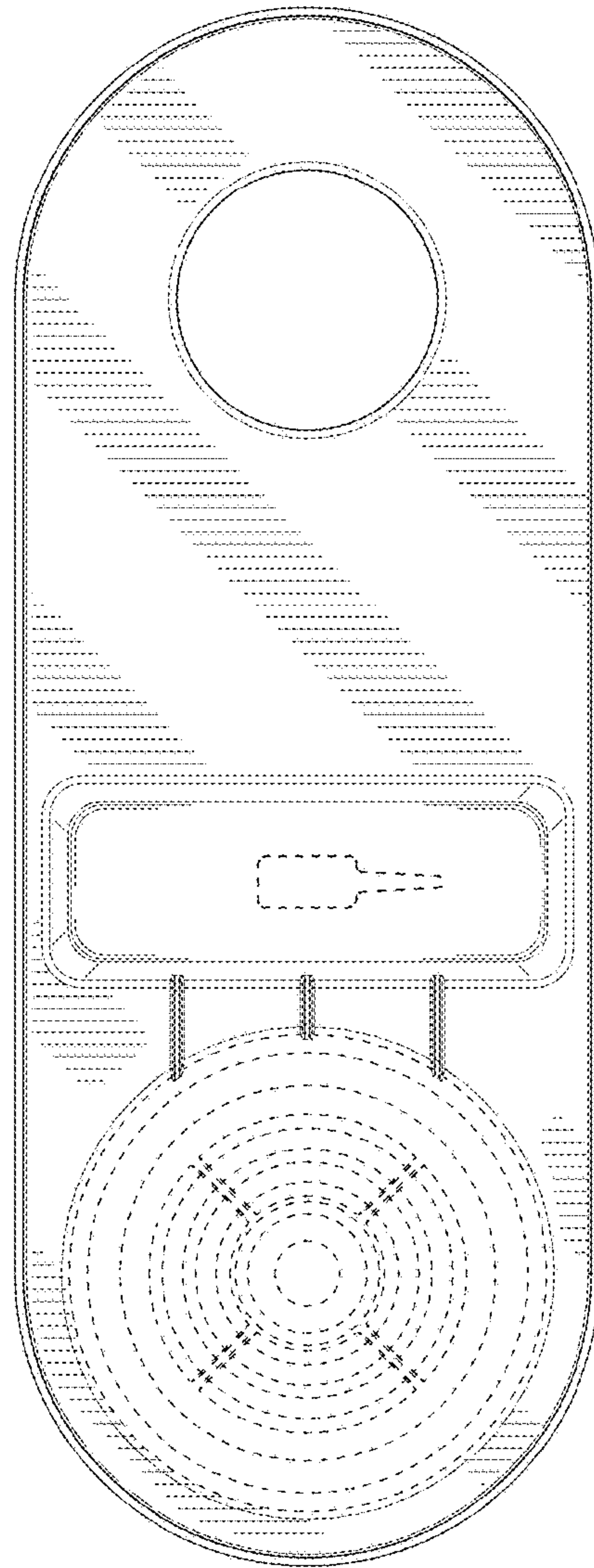


FIG. 7