



US00D858132S

(12) **United States Design Patent** (10) **Patent No.:** **US D858,132 S**  
**Muller** (45) **Date of Patent:** **\*\* Sep. 3, 2019**

(54) **CHAIR/STOOL**  
(71) Applicant: **Elite Manufacturing Corporation,**  
Santa Fe Springs, CA (US)  
(72) Inventor: **Carl Muller,** Seal Beach, CA (US)  
(73) Assignee: **Elite Manufacturing Corporation,**  
Sante Fe Springs, CA (US)

D663,131 S \* 7/2012 Barefoot ..... D6/374  
D730,069 S \* 5/2015 Thuma ..... D6/336  
D802,958 S \* 11/2017 Lowsky ..... D6/379  
D805,316 S \* 12/2017 Lowsky ..... D6/379  
D810,457 S \* 2/2018 Natuzzi ..... D6/379  
D815,452 S \* 4/2018 Hannoosh ..... D6/380  
D821,770 S \* 7/2018 Dassen ..... D6/375  
D821,774 S \* 7/2018 Hale ..... D6/375

(\*\*) Term: **15 Years**  
(21) Appl. No.: **29/657,755**  
(22) Filed: **Jul. 25, 2018**

**Related U.S. Application Data**

(62) Division of application No. 29/563,903, filed on May 9, 2016, now Pat. No. Des. 843,743.  
(51) **LOC (12) Cl.** ..... **06-01**  
(52) **U.S. Cl.**  
USPC ..... **D6/379; D6/375**  
(58) **Field of Classification Search**  
USPC ..... D6/334, 372, 379, 380, 383, 716-716.4  
CPC .... A47C 1/00; A47C 3/00; A47C 3/12; A47C 5/00; A47C 5/0125; A47C 7/00; A47C 7/02; A47C 7/16; A47C 7/36; A47C 7/40; A47C 15/00  
See application file for complete search history.

(56) **References Cited**

**U.S. PATENT DOCUMENTS**

D396,563 S \* 8/1998 Meijer ..... D6/334  
D431,380 S \* 10/2000 Hutton ..... D6/360  
D432,806 S \* 10/2000 Gomez ..... D6/379  
D443,151 S \* 6/2001 Frinier ..... D6/379  
D524,072 S \* 7/2006 King ..... D6/379  
D580,676 S \* 11/2008 Cramer ..... D6/379  
D637,426 S \* 5/2011 Muller ..... D6/716  
D648,557 S \* 11/2011 Frinier ..... D6/369  
D661,918 S \* 6/2012 Ciani ..... D6/375

**OTHER PUBLICATIONS**

Gordon Gullamier for Frag; "Gozo".  
Pietro-Arosio; "Slim".  
Jean Nouvel for Emeco; "So So Chair".  
Shin Azumi for Fomasarig; "Kite".  
Christopher Pillet for Ceccotti Collection; "Rive Droite"; 2011.  
Piero-Lissoni for Milan Collection; "Artelano".

\* cited by examiner

*Primary Examiner* — Manpreet S Matharu  
*Assistant Examiner* — Keith J Wilson  
(74) *Attorney, Agent, or Firm* — Stetina Brunda Garred & Brucker

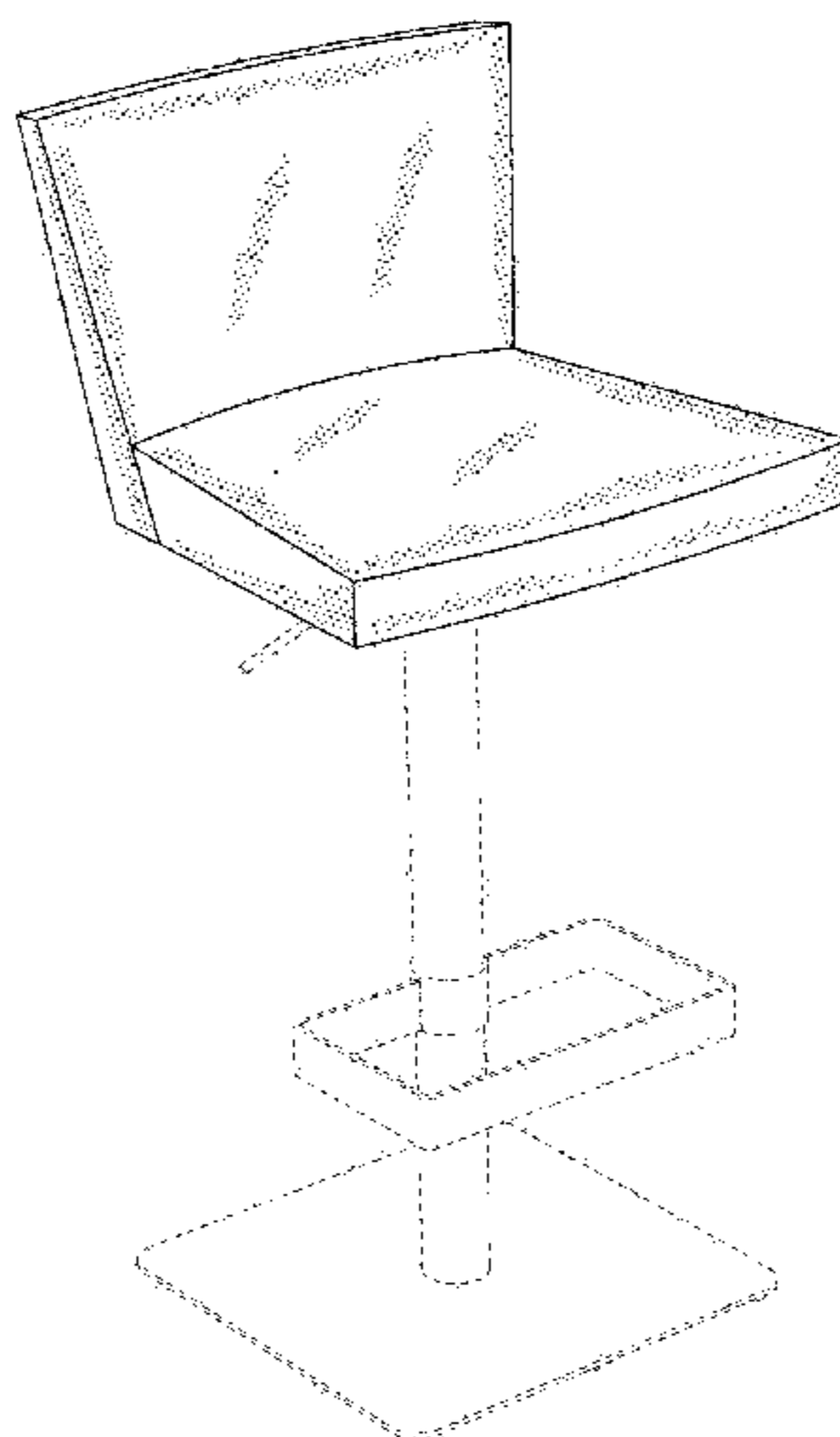
(57) **CLAIM**

The ornamental design for a chair/stool, as shown and described.

**DESCRIPTION**

FIG. 1 is a front perspective view of the chair/stool of the present invention showing my new design;  
FIG. 2 is a top plan view thereof;  
FIG. 3 is a front elevational view thereof;  
FIG. 4 is a right side elevational view thereof;  
FIG. 5 is a left side elevational view thereof;  
FIG. 6 is a rear elevational view thereof; and,  
FIG. 7 is a bottom plan view thereof.  
The broken lines represents environment only and forms no part of the claimed design.

**1 Claim, 3 Drawing Sheets**



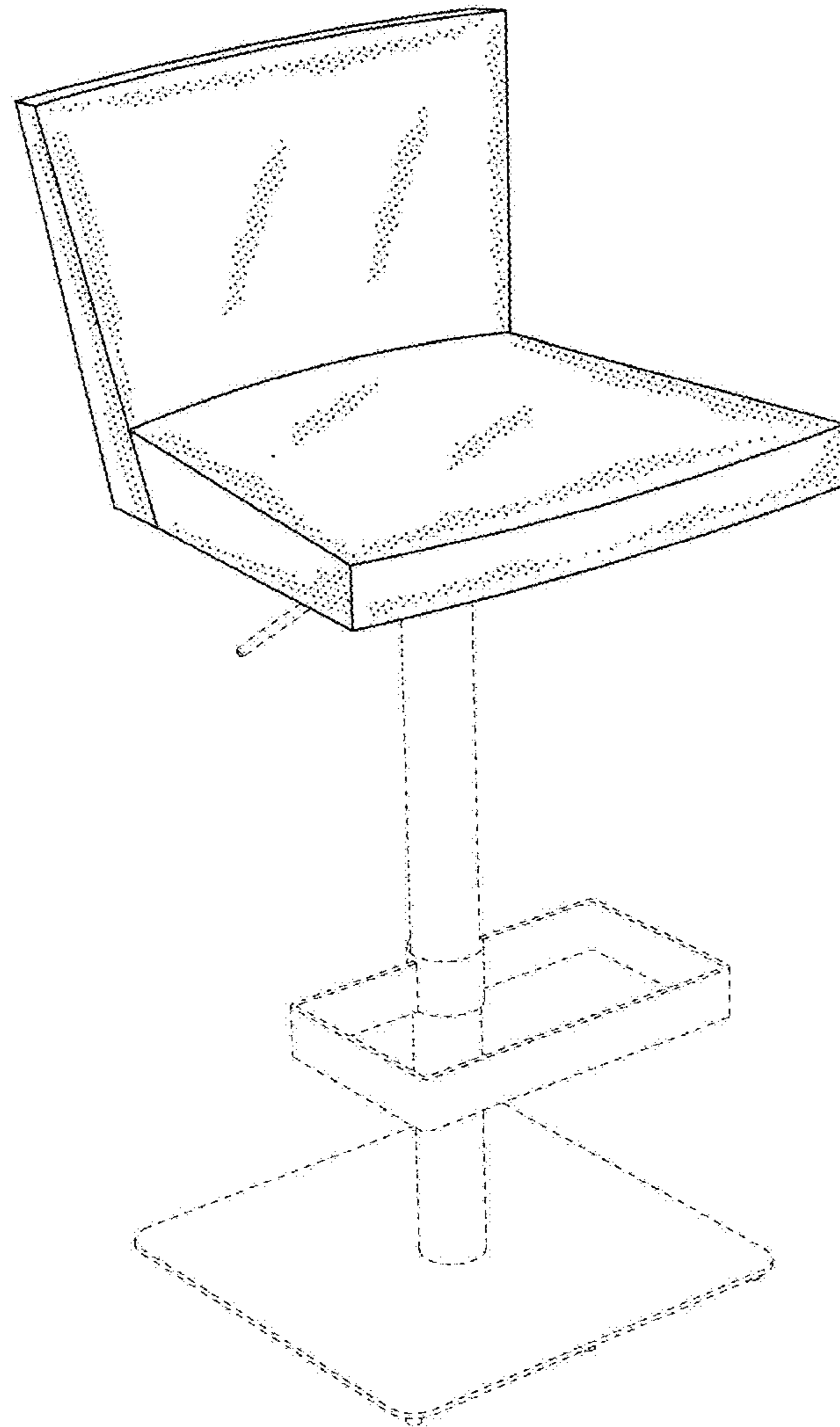


FIG. 1

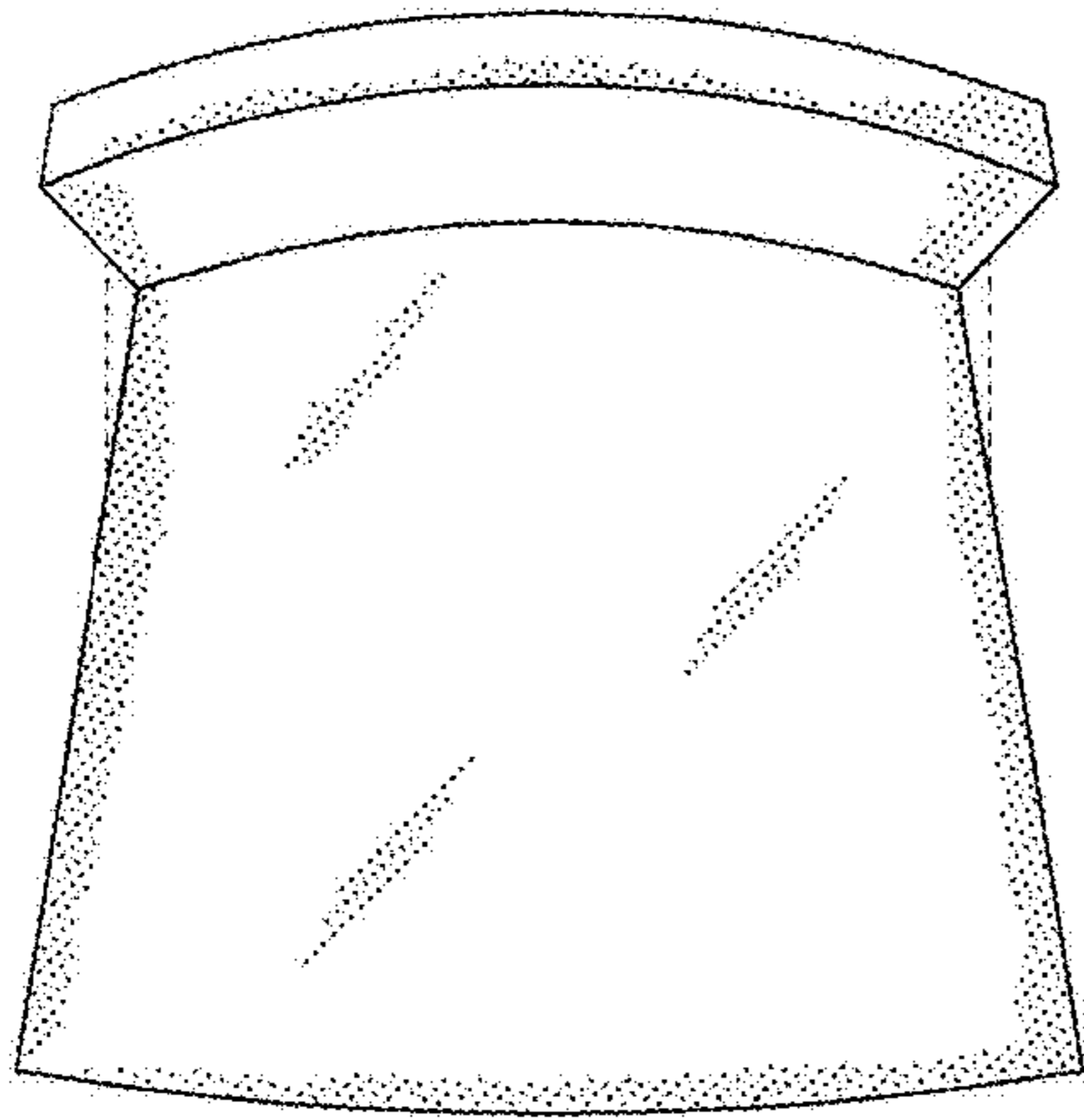


FIG. 2

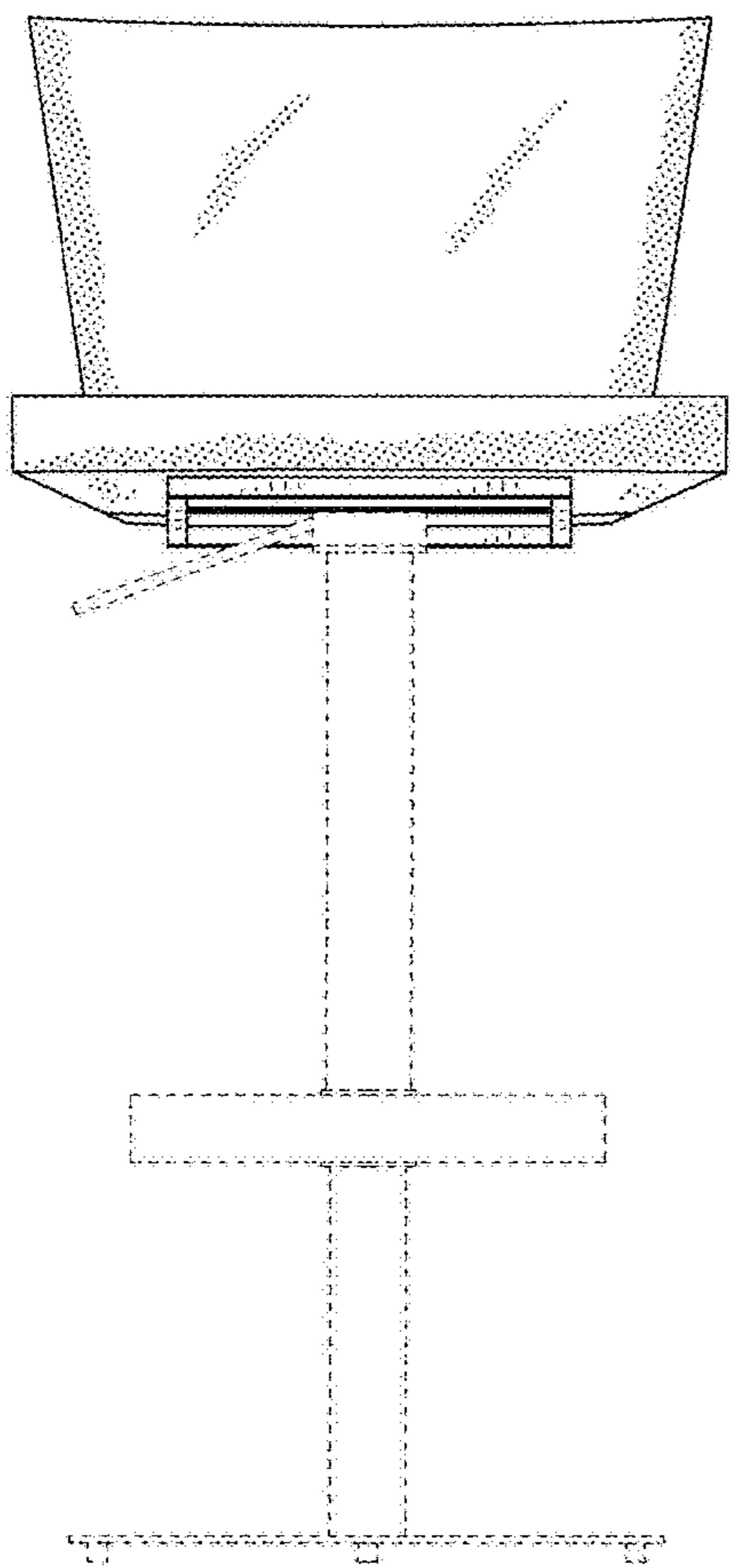


FIG. 3

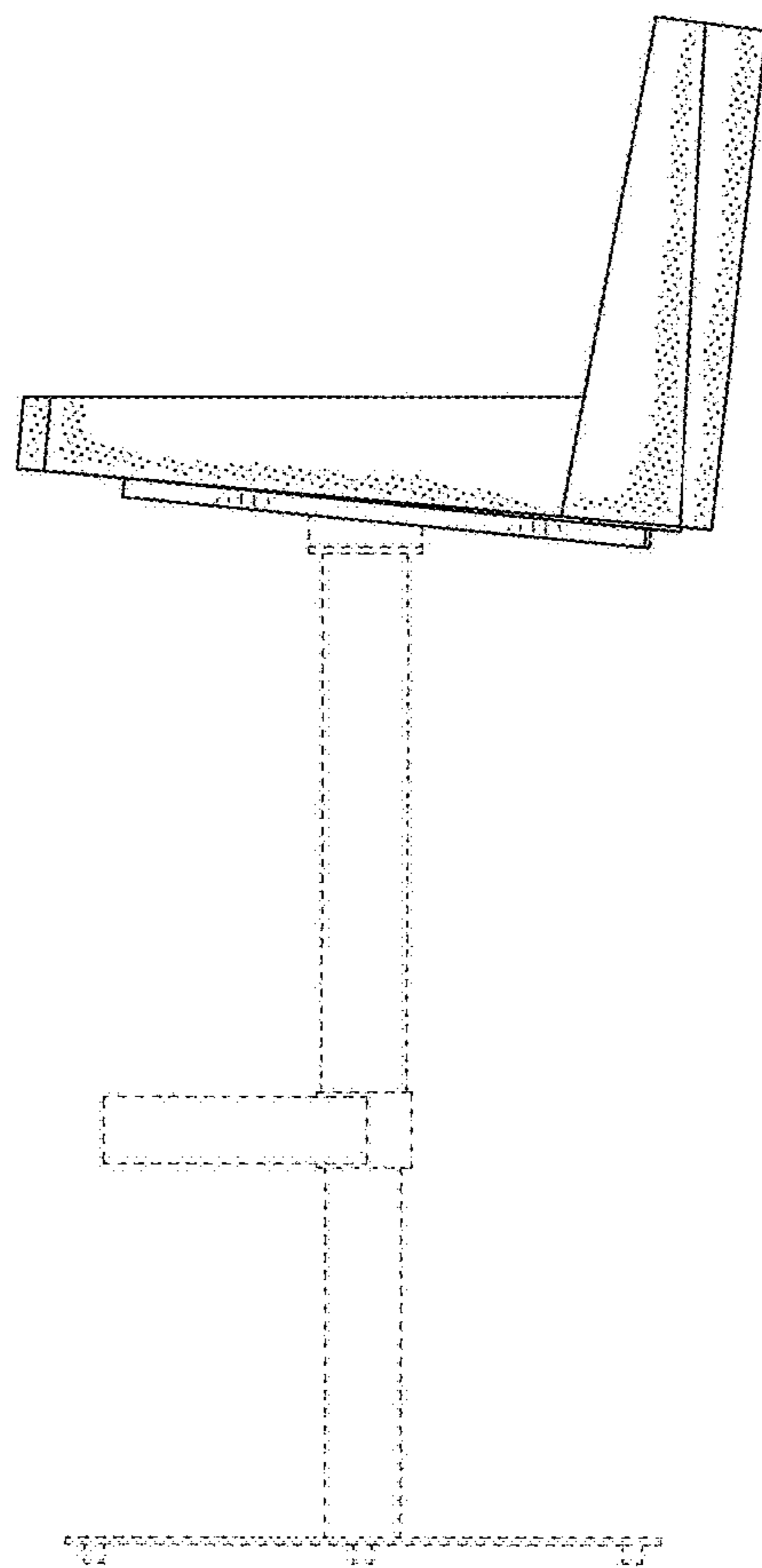


FIG. 4

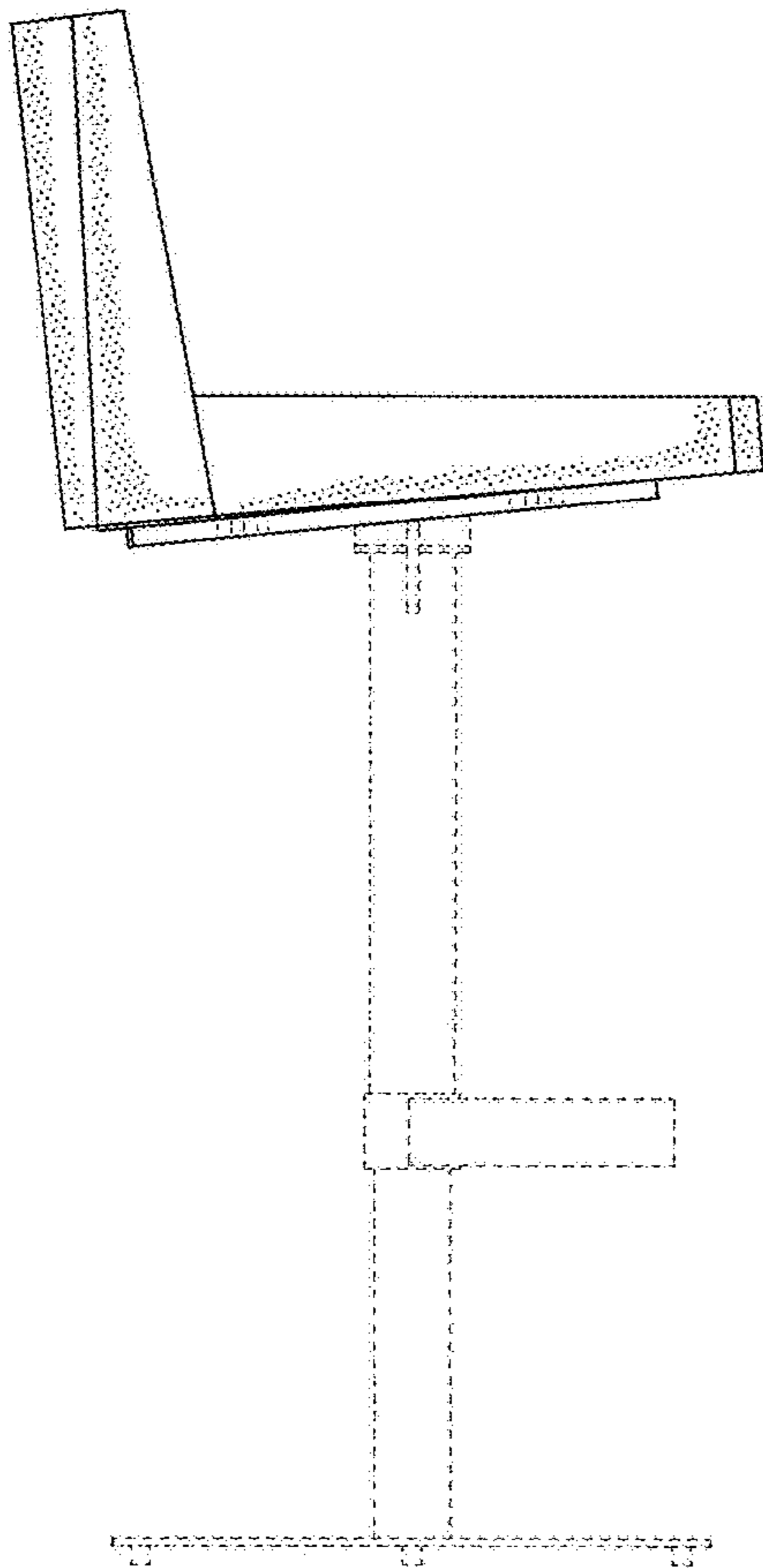


FIG. 5

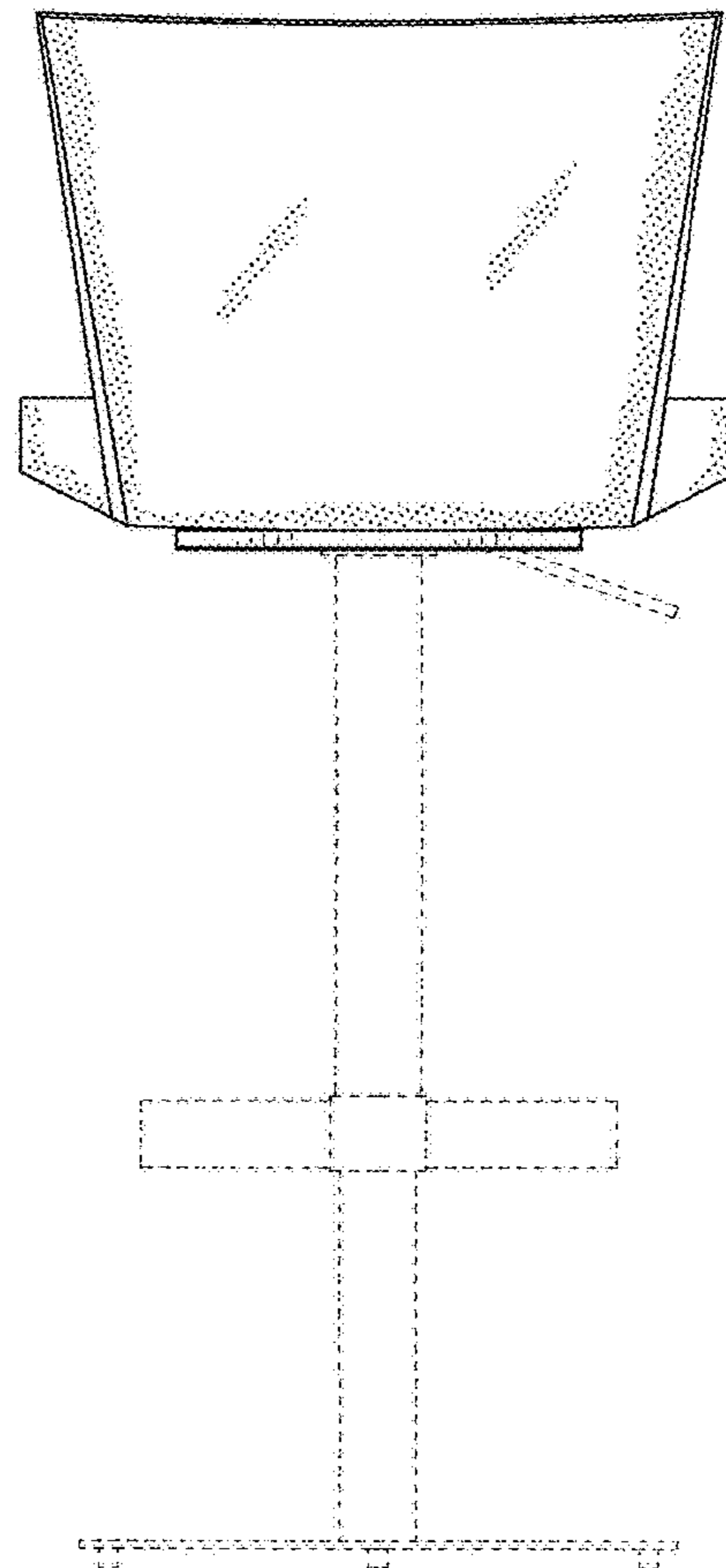


FIG. 6

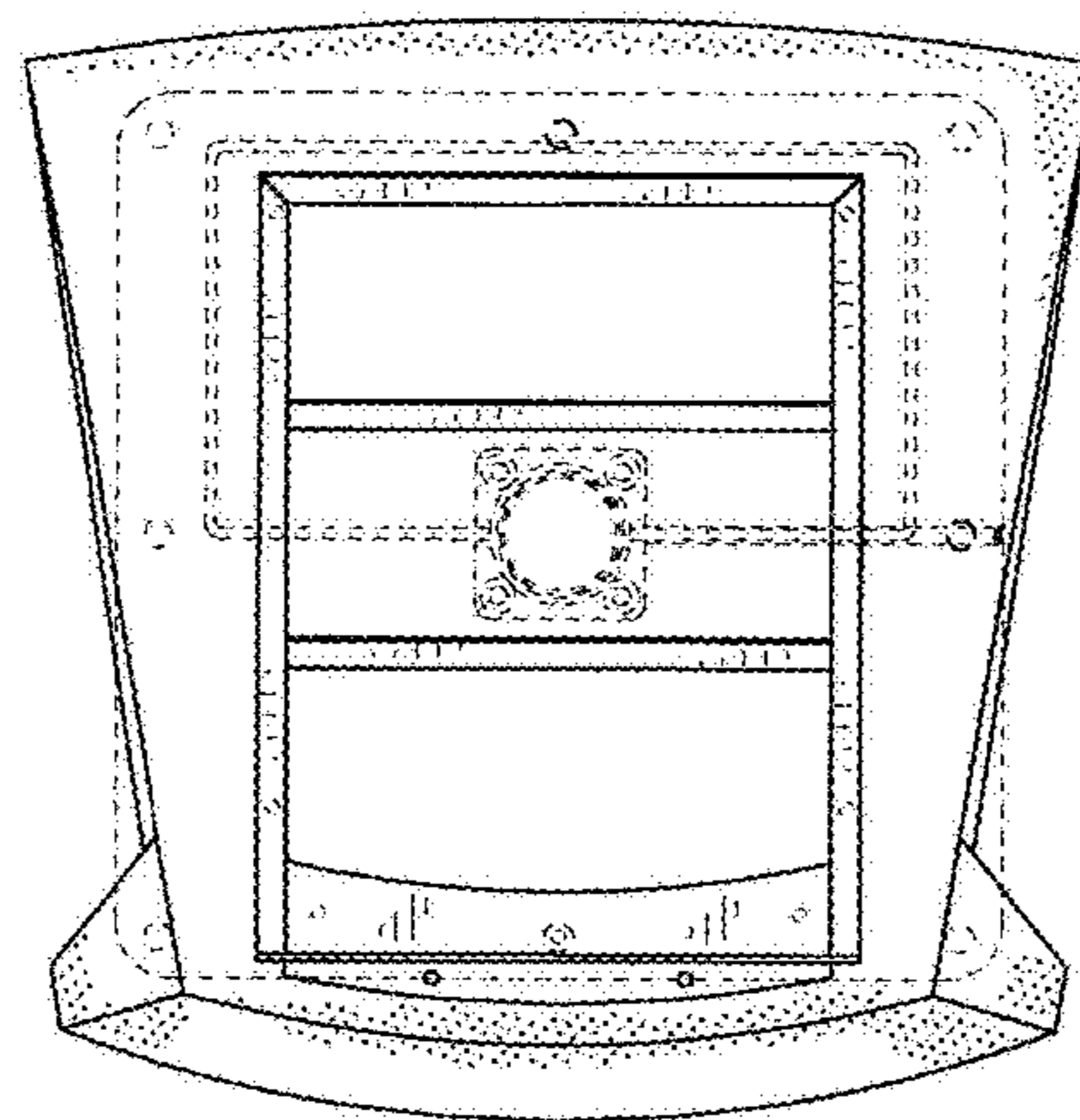


FIG. 7