



US00D858128S

(12) **United States Design Patent** (10) **Patent No.:** **US D858,128 S**
Li (45) **Date of Patent:** **** Sep. 3, 2019**

(54) **CHAIR ARGUS**

(56) **References Cited**

(71) Applicant: **Homy Casa Limited**, Hong Kong (HK)

U.S. PATENT DOCUMENTS

(72) Inventor: **YueHai Li**, Guangzhou (CN)

D182,790 S * 5/1958 Cohen 297/445.1

(73) Assignee: **HOMY CASA LIMITED**, Sheung Wan (HK)

2,893,469 A * 7/1959 Eames A47C 1/124

(**) Term: **15 Years**

2,980,454 A * 4/1961 Thaden A47C 1/124

(21) Appl. No.: **29/624,224**

3,261,640 A * 7/1966 Straits A47C 1/12

(22) Filed: **Oct. 31, 2017**

3,393,941 A * 7/1968 Grosfillex A47C 3/12

(51) **LOC (12) Cl.** **06-01**

D592,873 S * 5/2009 Olano Jauregui D6/373

(52) **U.S. Cl.**

D608,549 S * 1/2010 Novak D6/334

USPC **D6/360**

D666,015 S * 8/2012 Morrison D6/360

(58) **Field of Classification Search**

D690,147 S * 9/2013 Meyer D6/375

USPC D6/334, 336, 344, 345, 348-350, 352,

D778,657 S * 2/2017 Morrison D6/373

D6/353, 355, 358, 360, 364, 368-371,

D808,669 S * 1/2018 Li D6/334

D6/373, 375, 379, 380, 381, 677, 692.3,

D816,359 S * 5/2018 Bendtzen D6/360

D6/708, 708.16, 717; D11/184;

9,980,569 B1 * 5/2018 Chen A47C 7/002

D21/521; D23/292

* cited by examiner

CPC .. A47C 1/12; A47C 1/124; A47C 3/00; A47C

Primary Examiner — Kevin K Rudzinski

Assistant Examiner — Paul D Bohannon

(74) *Attorney, Agent, or Firm* — Hauptman Ham, LLP

3/04; A47C 3/12; A47C 3/14; A47C 3/16;

(57) **CLAIM**

The ornamental design for a chair argus, as shown.

A47C 3/18; A47C 3/20; A47C 3/34;

DESCRIPTION

A47C 4/02; A47C 4/03; A47C 4/38;

FIG. 1 is a front view of a chair argus;

FIG. 2 is a back view thereof;

FIG. 3 is a bottom view thereof;

FIG. 4 is a top view thereof;

FIG. 5 is a left side view thereof;

FIG. 6 is a top front left perspective view thereof; and,

FIG. 7 is a right side view thereof.

A47C 4/10; A47C 4/24; A47C 4/045;

A47C 4/286; A47C 5/06; A47C 5/04;

A47C 5/12; A47C 5/043; A47C 7/00;

A47C 7/16; A47C 7/002; A47C 7/445;

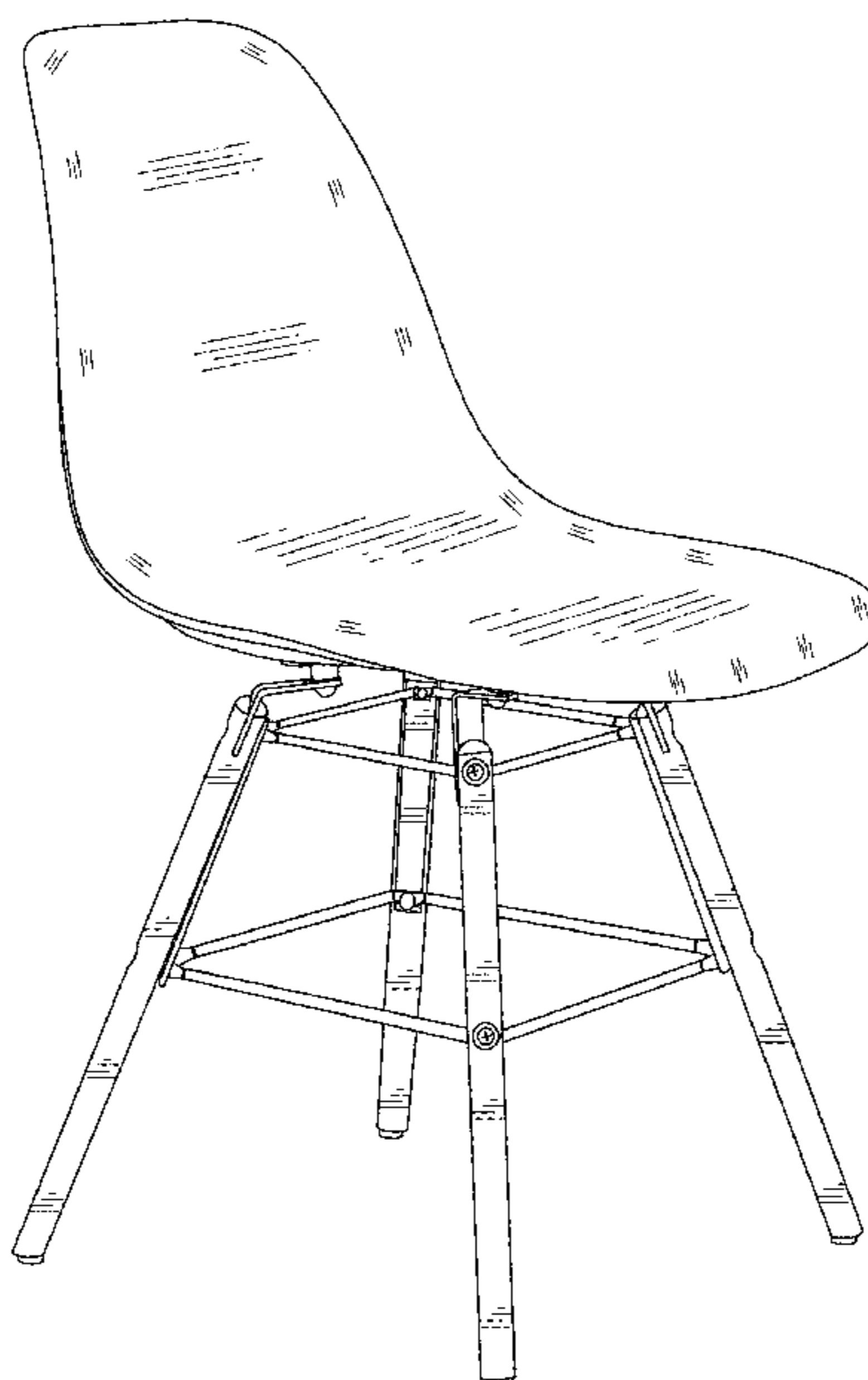
A47C 7/448; A47C 7/506; A47C 7/52;

A47C 7/50; A47C 9/00; A47C 9/007;

A47D 1/00; A01M 31/02; Y10S 297/02

See application file for complete search history.

1 Claim, 7 Drawing Sheets



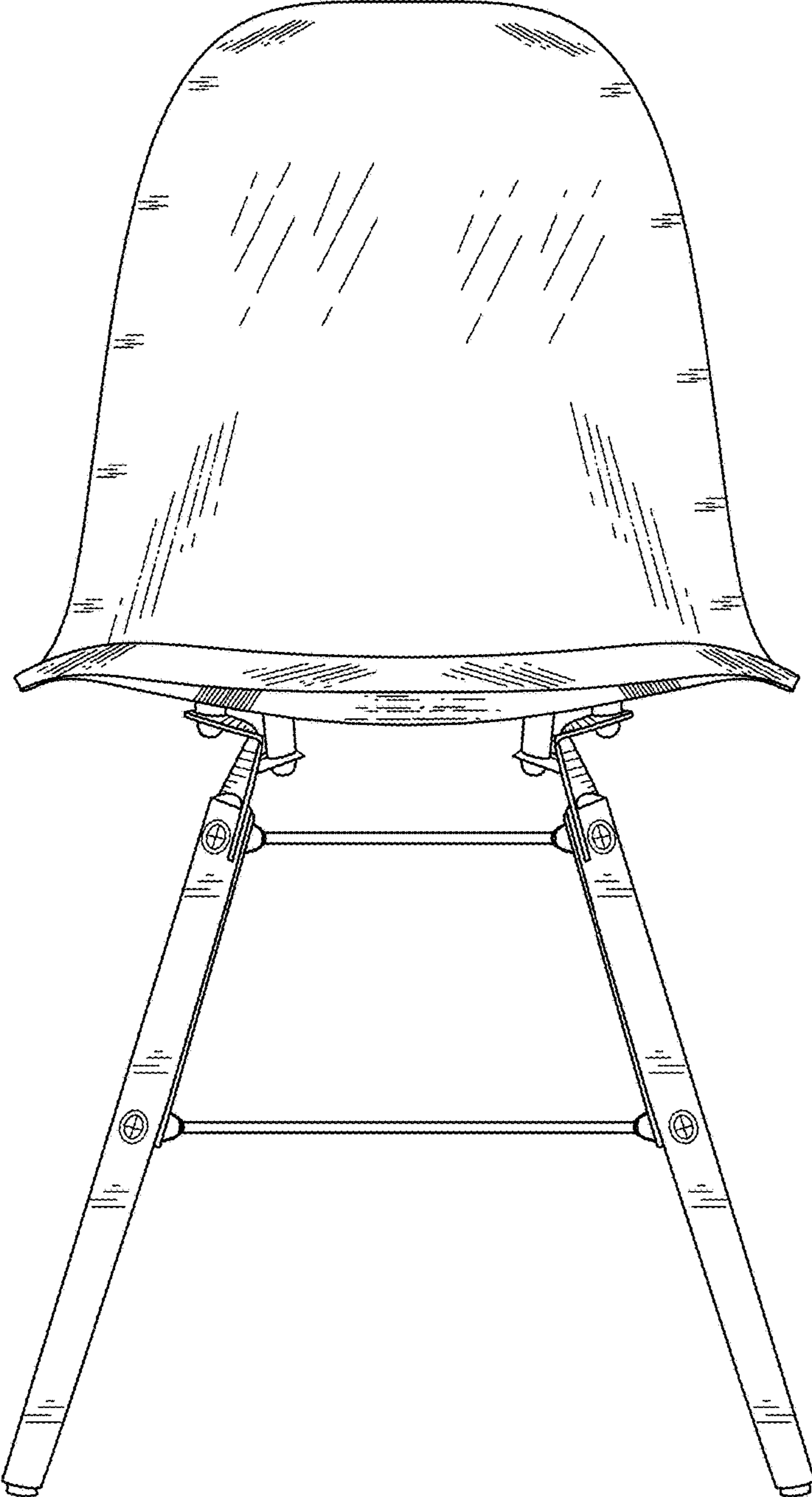


Fig. 1

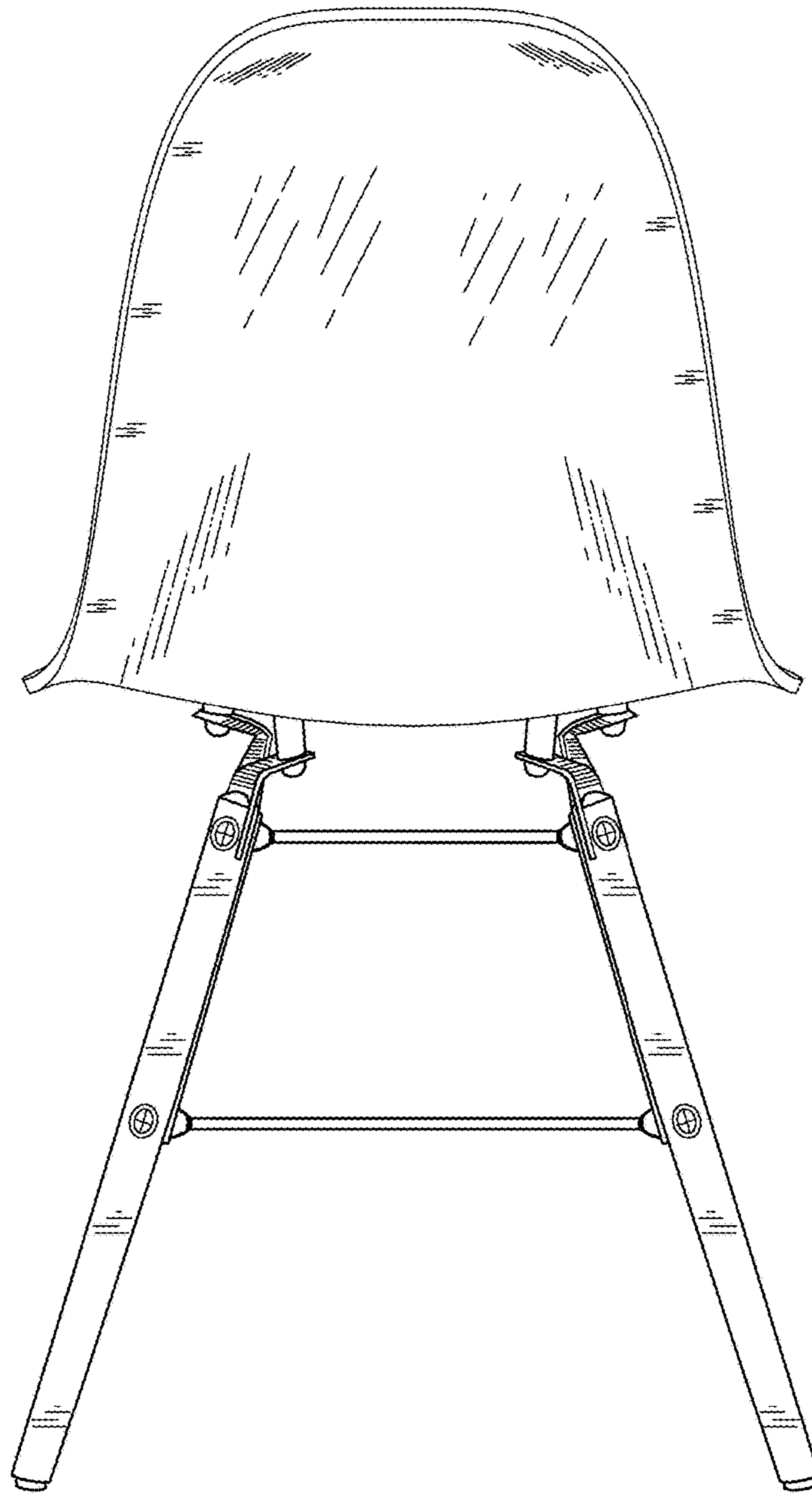


Fig. 2

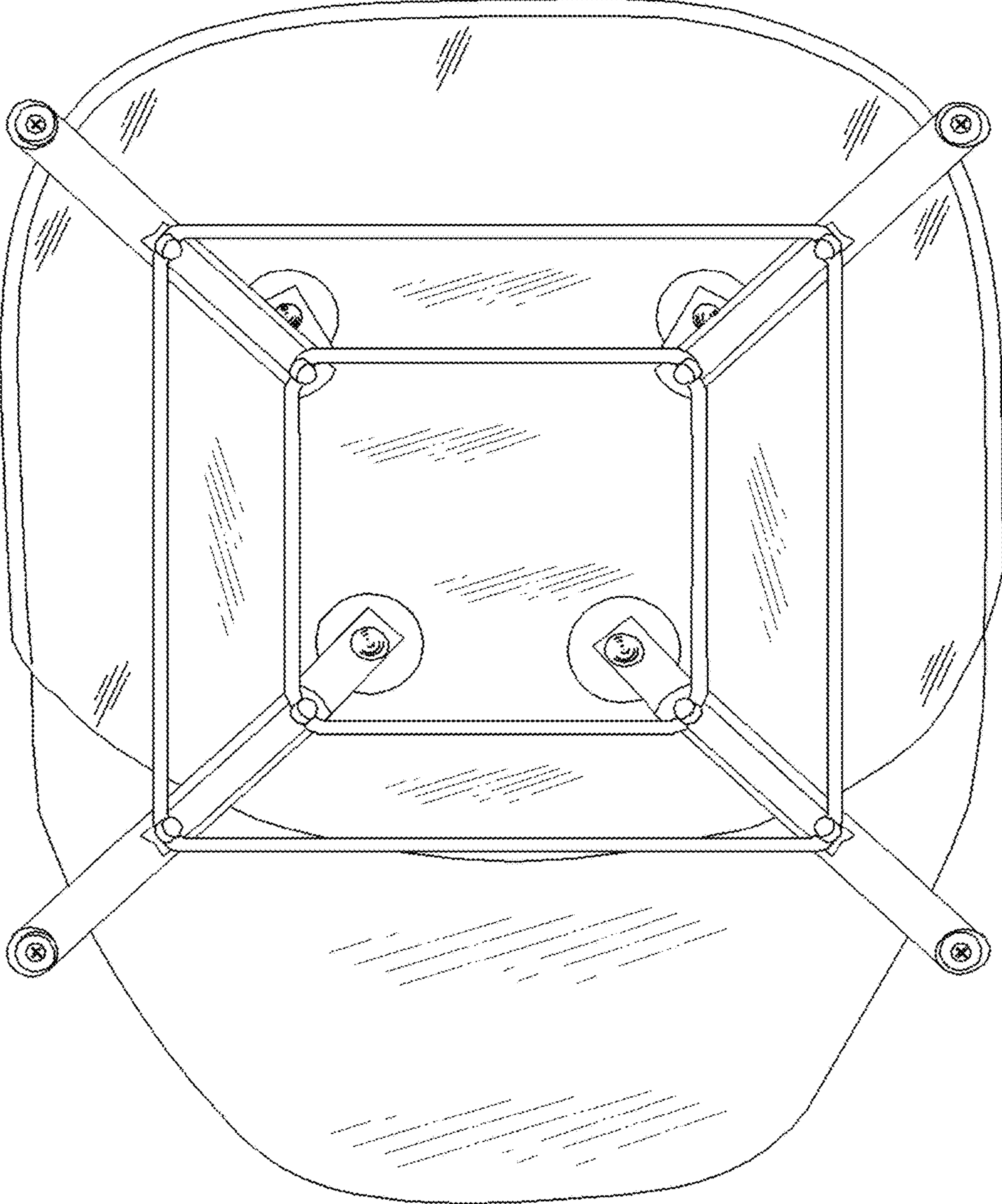


Fig. 3

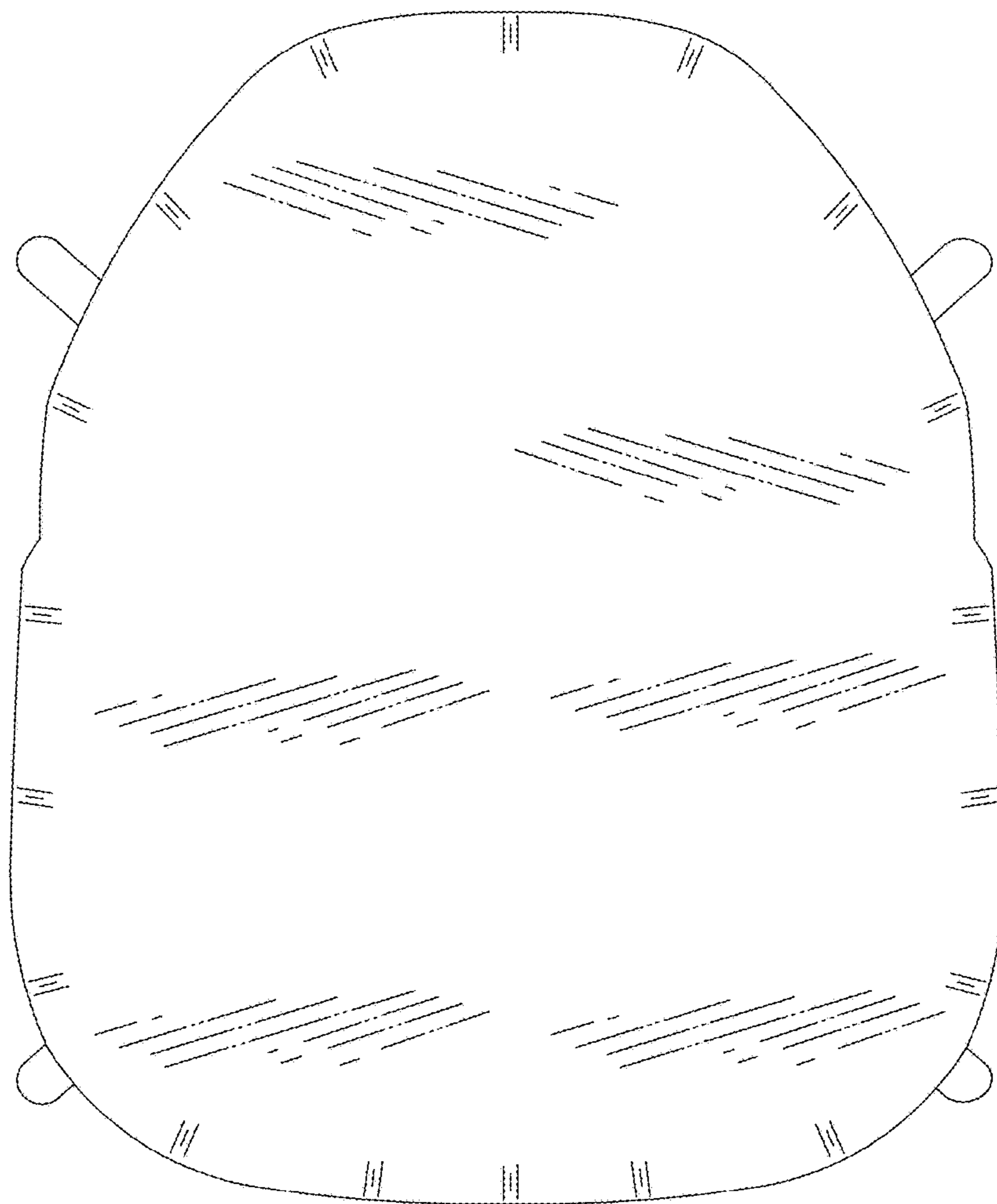


Fig. 4

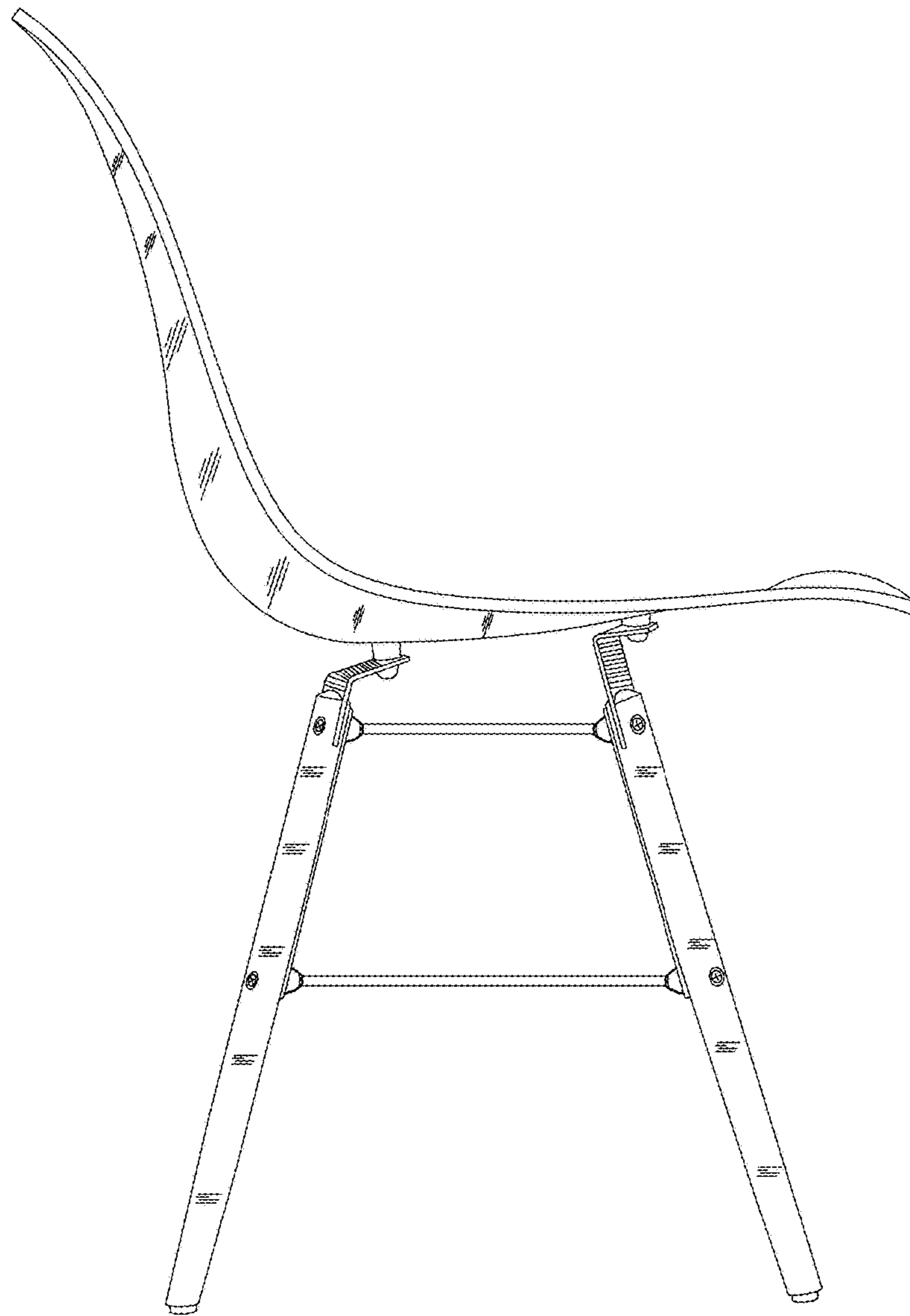


Fig. 5



Fig. 6

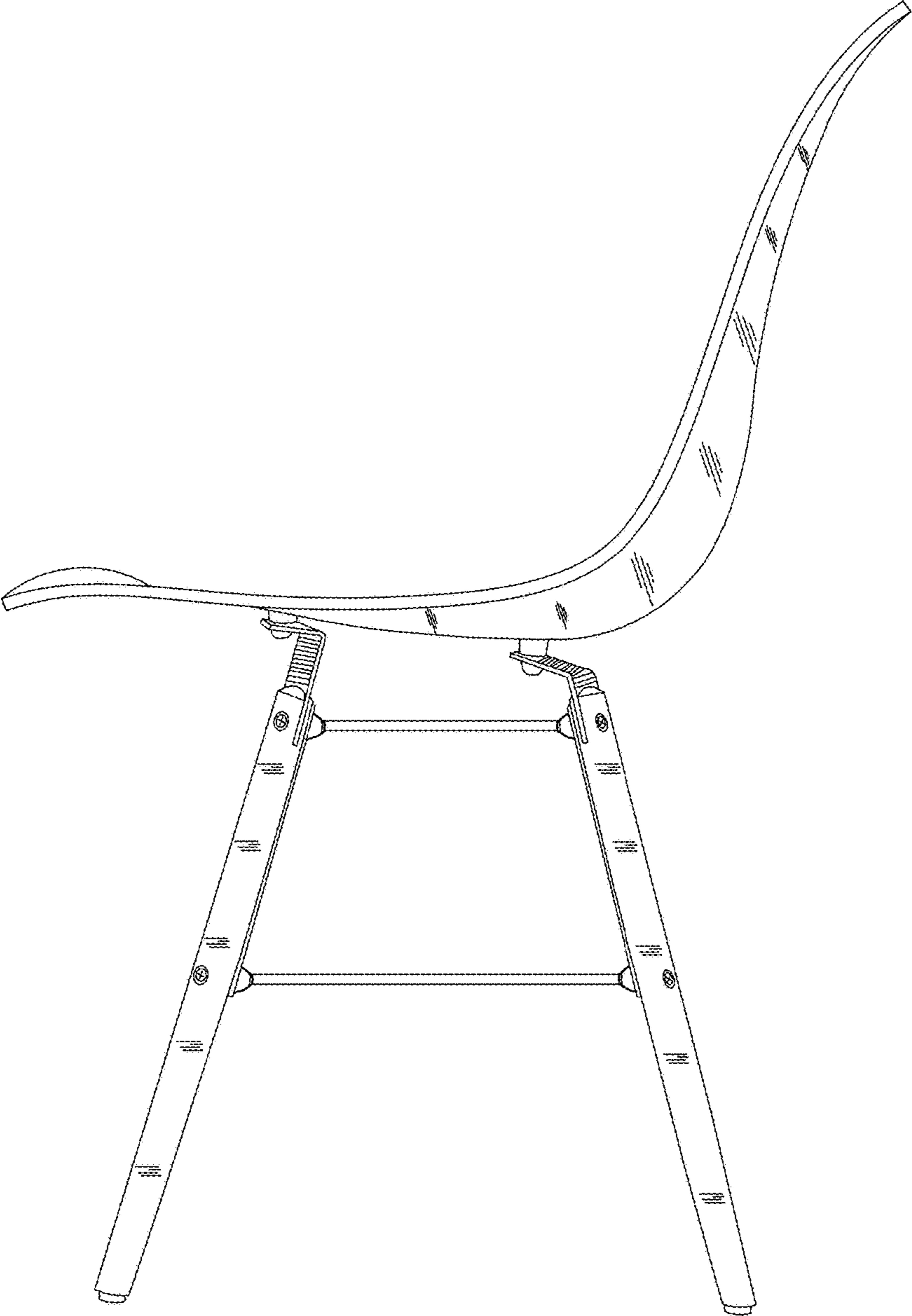


Fig. 7