



US00D858124S

(12) **United States Design Patent** (10) **Patent No.:** **US D858,124 S**
Lopez (45) **Date of Patent:** **** Sep. 3, 2019**

(54) **CHAIR**
(71) Applicant: **R. Adrian Lopez**, Encino, CA (US)
(72) Inventor: **R. Adrian Lopez**, Encino, CA (US)
(73) Assignee: **Noble House Home Furnishings, LLC**, Chatsworth, CA (US)

(**) Term: **15 Years**

(21) Appl. No.: **29/640,923**

(22) Filed: **Mar. 19, 2018**

(51) **LOC (12) Cl.** **06-01**

(52) **U.S. Cl.**
USPC **D6/334**

(58) **Field of Classification Search**
USPC D6/334, 335, 336, 357, 361, 364, 369,
D6/374, 375, 377, 378, 381
CPC .. A47C 1/00; A47C 3/12; A47C 17/00; A47C
17/02

See application file for complete search history.

(56) **References Cited**

U.S. PATENT DOCUMENTS

D170,088 S * 7/1953 Hoffman D6/381
D252,782 S * 9/1979 Roset D6/334

D280,153 S * 8/1985 Hopfer D6/378
D538,054 S * 3/2007 Lissoni D6/334
D544,723 S * 6/2007 Boutin D6/378
D577,925 S * 10/2008 Gomez D6/378
D617,112 S * 6/2010 Tsai D6/381
D677,475 S * 3/2013 Bellini D6/334
D687,235 S * 8/2013 Sage D6/371
D836,357 S * 12/2018 Dorner D6/371

* cited by examiner

Primary Examiner — Deanna L Pratt

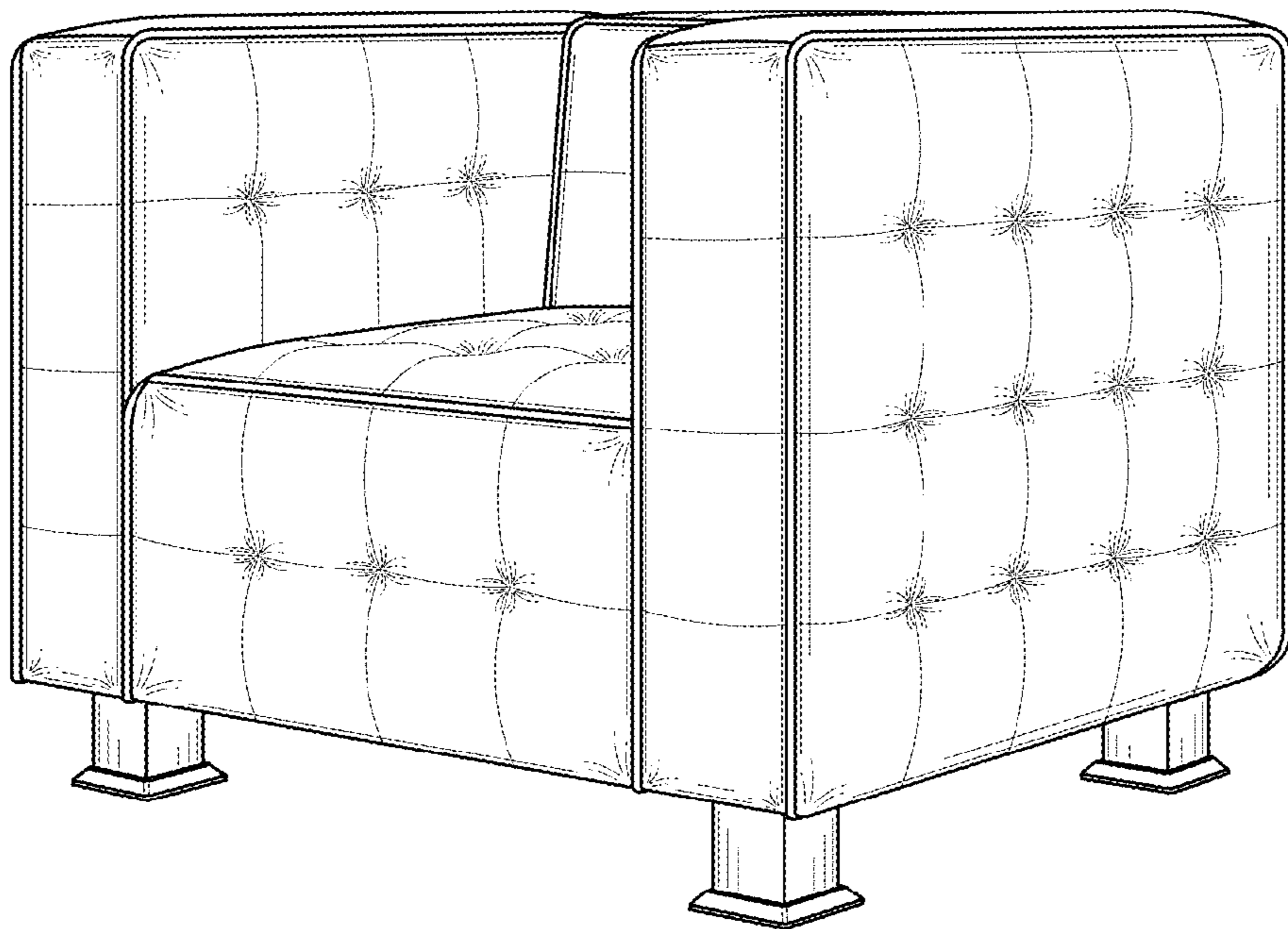
(57) **CLAIM**

The ornamental design for a chair, as shown and described.

DESCRIPTION

FIG. 1 is a perspective view of a chair, showing my new design;
FIG. 2 is a front view thereof;
FIG. 3 is a back view thereof;
FIG. 4 is a right side view thereof;
FIG. 5 is a left side view thereof;
FIG. 6 is a top view thereof; and,
FIG. 7 is a bottom view thereof.

1 Claim, 7 Drawing Sheets



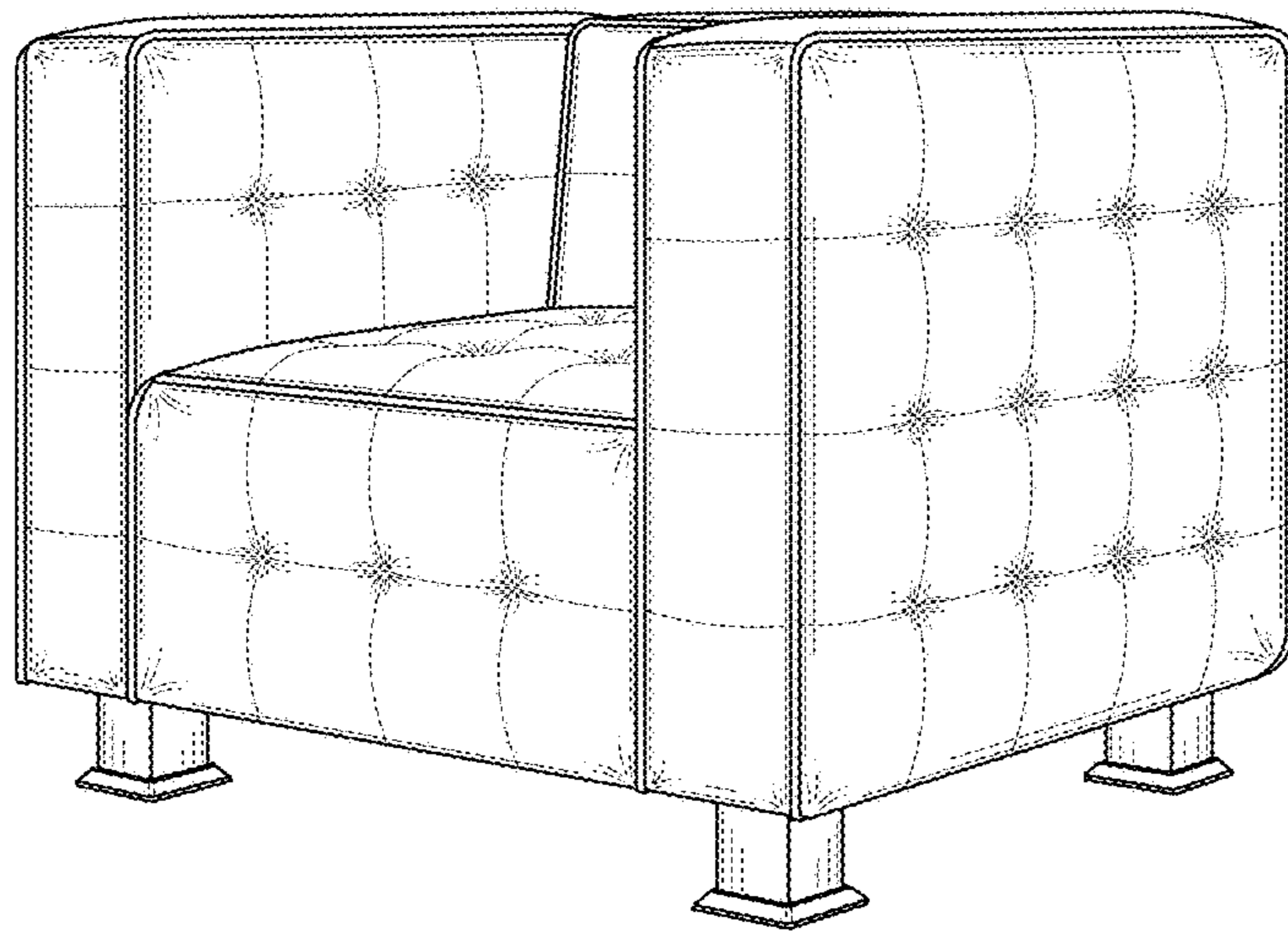


FIG. 1

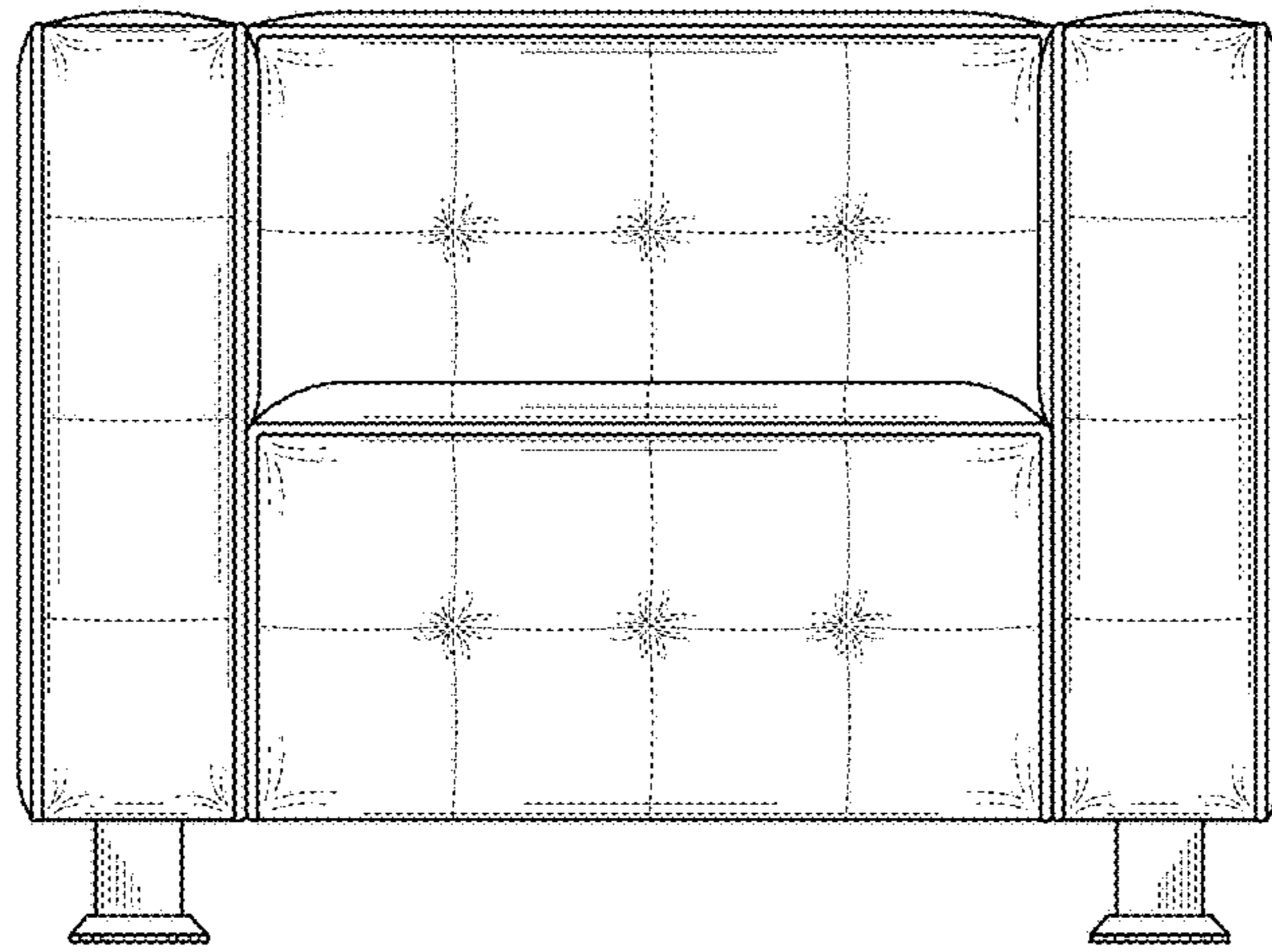


FIG. 2

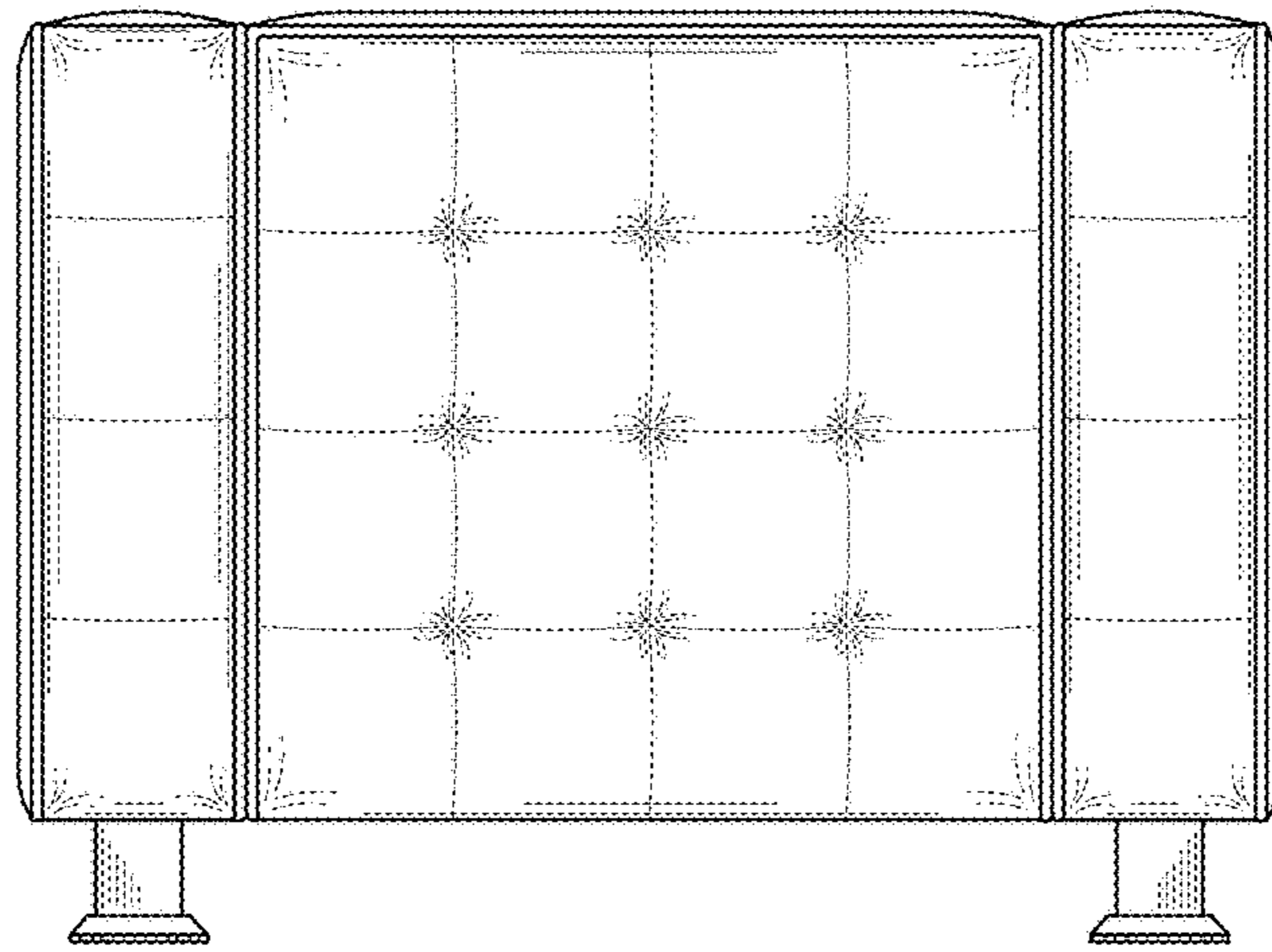


FIG. 3

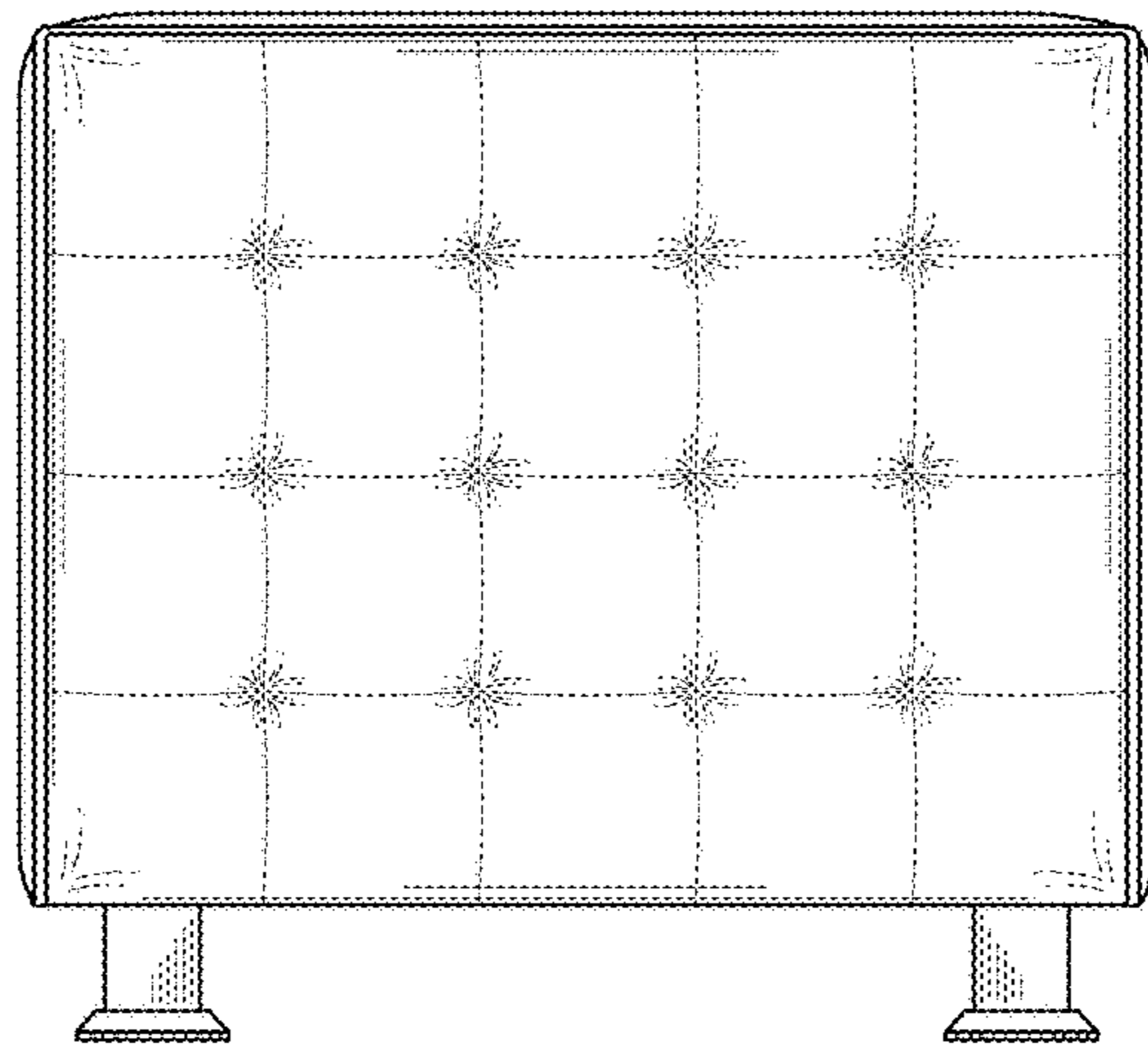


FIG. 4

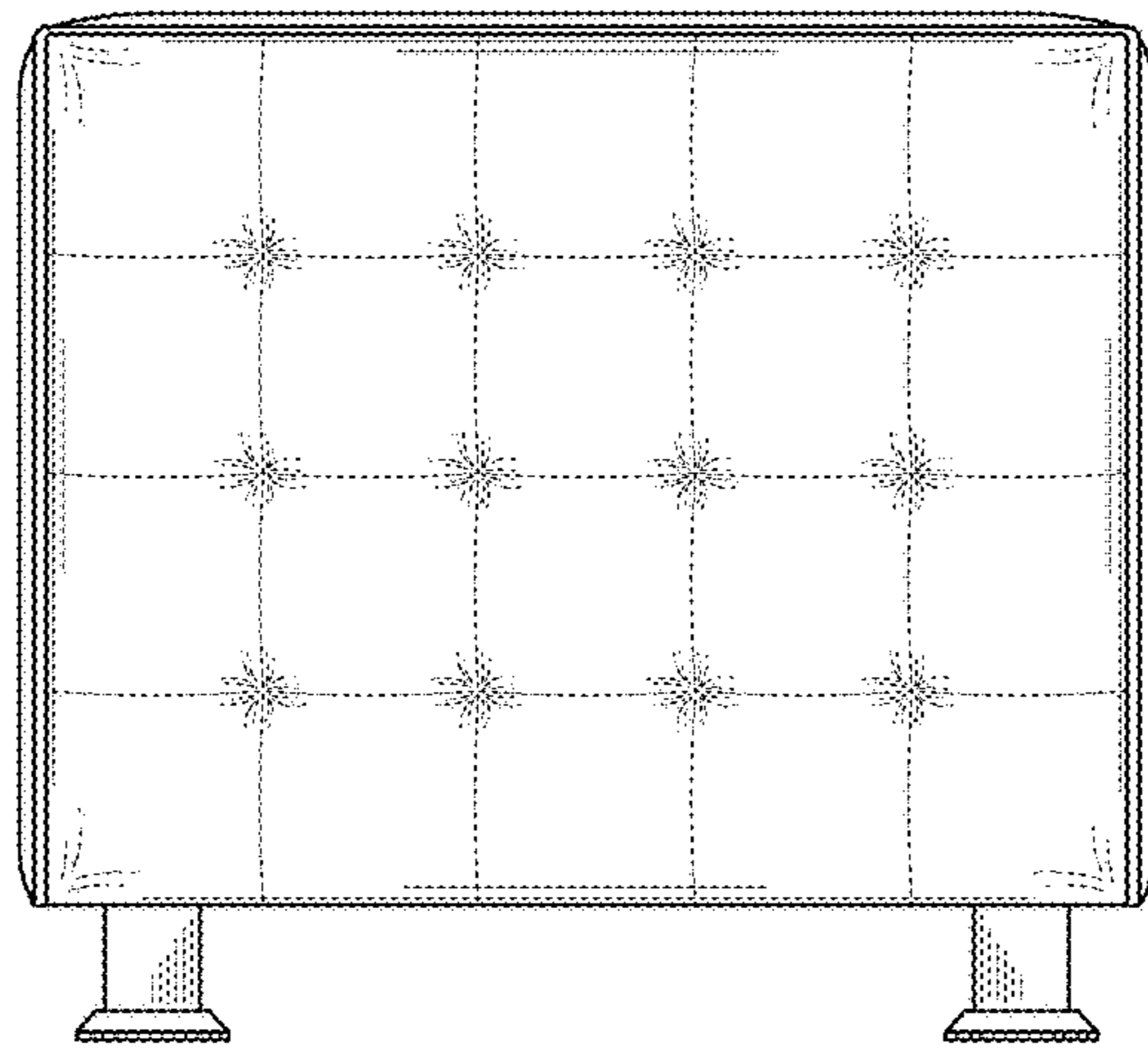


FIG. 5

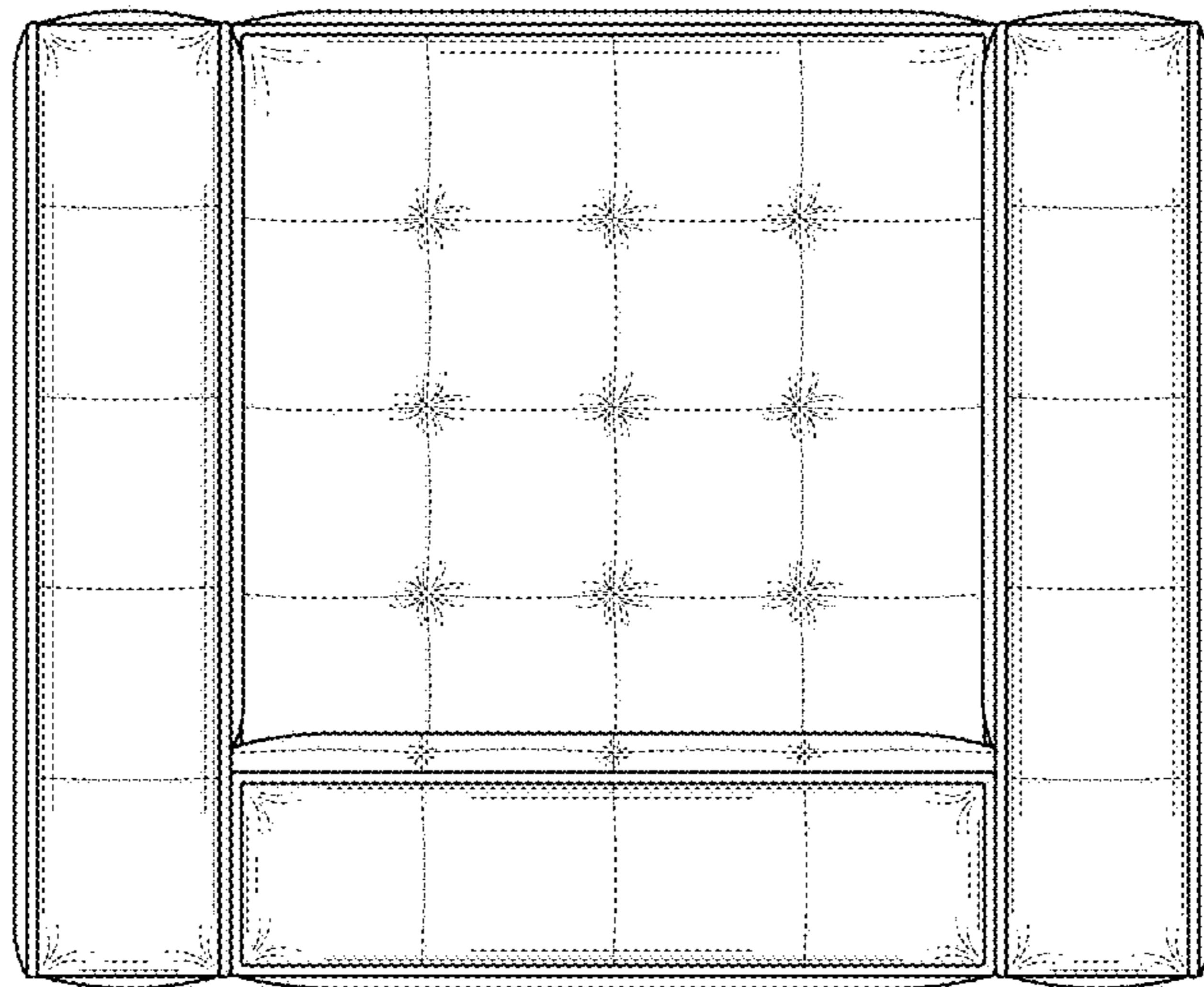


FIG. 6

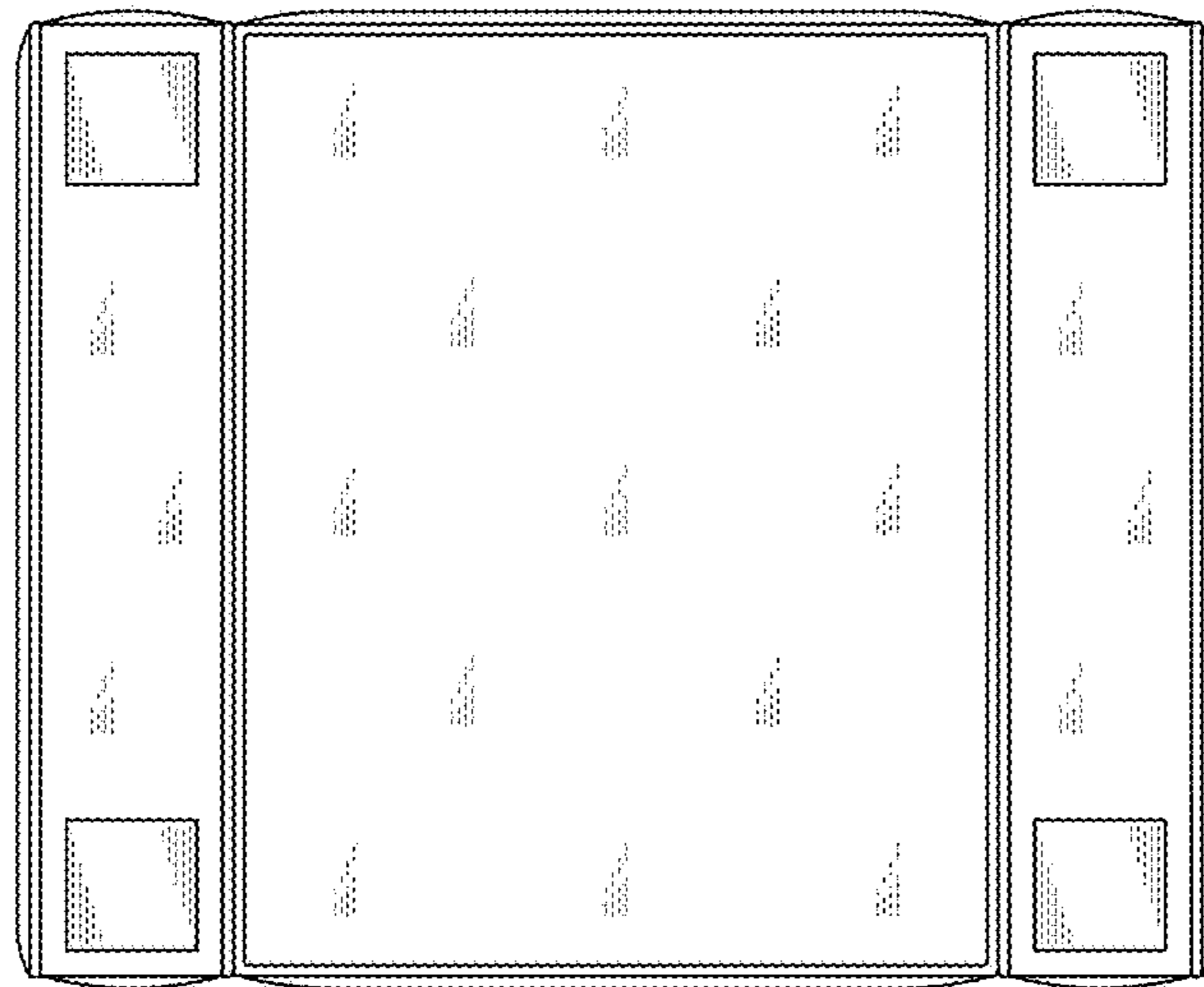


FIG. 7