



US00D858119S

(12) **United States Design Patent**
Nicoll et al.

(10) **Patent No.:** **US D858,119 S**
(45) **Date of Patent:** **** Sep. 3, 2019**

(54) **CABINET**

(71) Applicant: **NewAge Products, Inc.**, Vaughan (CA)

(72) Inventors: **David Wesley Nicoll**, Mississauga (CA); **Robert Vandenharn**, North York (CA); **Aaron Reesor**, Uxbridge (CA)

(73) Assignee: **NewAge Products, Inc.**, Vaughan, Ontario (CA)

(**) Term: **15 Years**

(21) Appl. No.: **29/626,139**

(22) Filed: **Nov. 15, 2017**

(51) **LOC (12) Cl.** **06-01**

(52) **U.S. Cl.**
USPC **D6/334**

(58) **Field of Classification Search**

USPC D6/574, 657, 659, 660, 661, 662, 662.1, D6/663, 671, 671.1–671.4, 672, 675, D6/675.1, 675.2, 675.5, 678, 678.1, D6/678.4, 679, 680.2, 683, 683.1, 703, D6/705.5; D7/334, 362, 402
CPC A47B 43/00; A47B 46/00; A47B 47/04; A47B 47/05; A47B 47/024; A47B 47/042; A47B 49/006; A47B 67/04; A47B 81/002; A47B 87/00; A47B 87/002; A47B 87/008; A47B 87/0215; A47B 88/00; A47B 88/48; A47B 88/57; A47B 88/75; A47B 88/90; A47B 88/427; A47B 88/941; A47B 96/02; A47B 96/022; A47B 2210/19; A24F 25/02; A47F 3/0413; A47F 5/116; A47F 5/0018; A47F 7/02; A47F 9/00; B22F 3/1055; A01K 15/025; A47K 3/281; E05B 17/2034; E05B 65/463; E06B 3/7001; F25D 21/14; F25D 23/069; F25D 2400/10; G09B 25/00;

(Continued)

(56) **References Cited**

U.S. PATENT DOCUMENTS

D194,137 S 11/1962 Jenn et al.
D254,885 S 5/1980 Decker
(Continued)

FOREIGN PATENT DOCUMENTS

WO WO-2008089598 A1 * 7/2008 A47B 47/042

Primary Examiner — Kevin K Rudzinski

Assistant Examiner — Paul D Bohannion

(74) *Attorney, Agent, or Firm* — Howard & Howard Attorneys PLLC

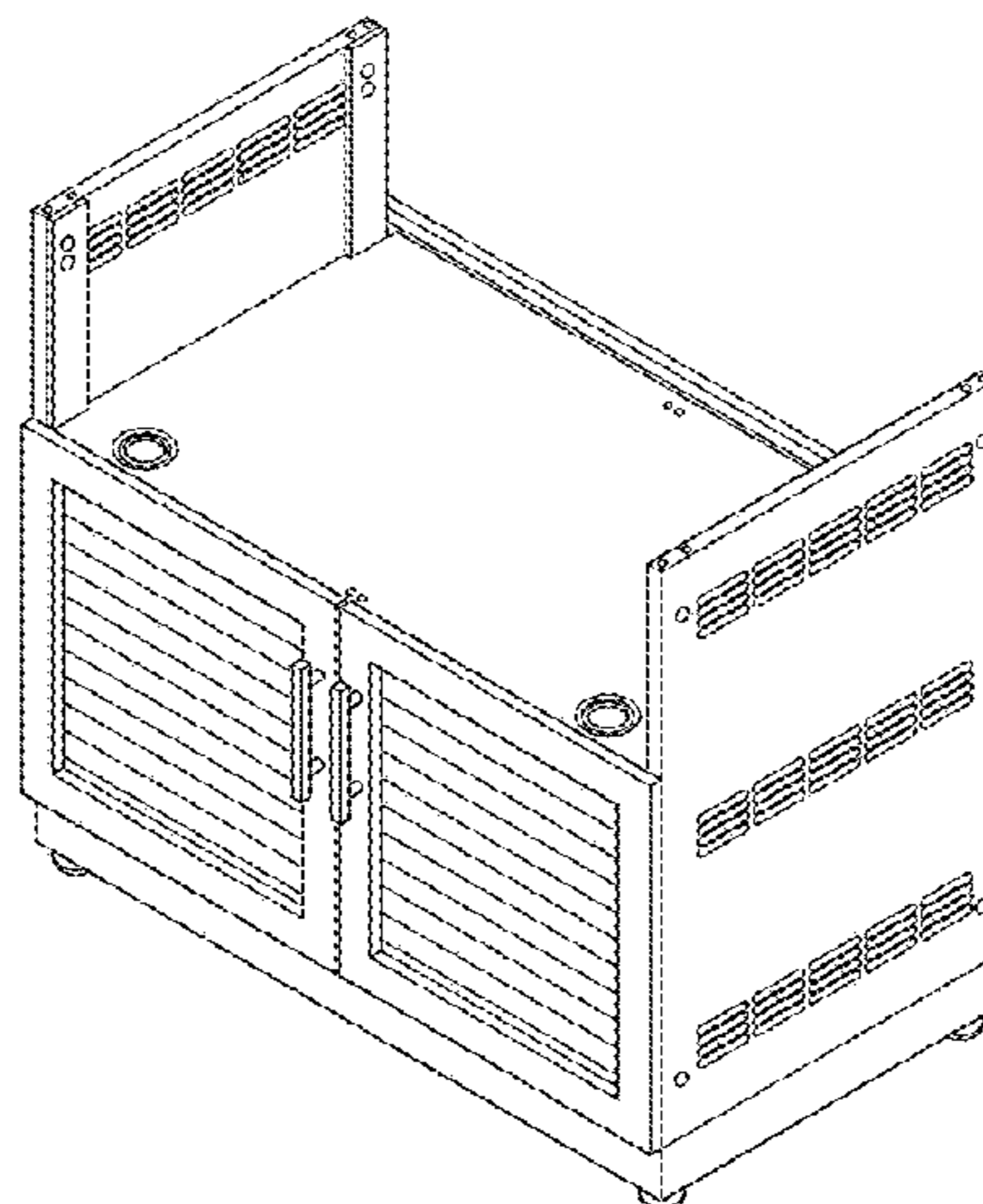
(57) **CLAIM**

The ornamental design for a cabinet, as shown and described.

DESCRIPTION

FIG. 1 is a perspective view of a first embodiment of a cabinet;
FIG. 2 is a front elevational view of the cabinet of FIG. 1;
FIG. 3 is a rear elevational view of the cabinet of FIG. 1;
FIG. 4 is a left side elevational view of the cabinet of FIG. 1;
FIG. 5 is a right side elevational view of the cabinet of FIG. 1;
FIG. 6 is a top plan view of the cabinet of FIG. 1;
FIG. 7 is a bottom plan view of the cabinet of FIG. 1;
FIG. 8 is a perspective view of a second embodiment of the cabinet;
FIG. 9 is a front elevational view of the cabinet of FIG. 8;
FIG. 10 is a rear elevational view of the cabinet of FIG. 8;
FIG. 11 is a left side elevational view of the cabinet of FIG. 8;
FIG. 12 is a right side elevational view of the cabinet of FIG. 8;
FIG. 13 is a top plan view of the cabinet of FIG. 8; and,
FIG. 14 is a bottom plan view of the cabinet of FIG. 8.

1 Claim, 6 Drawing Sheets



(58) **Field of Classification Search**
 CPC H02B 1/013; H02B 1/013014; H02B
 1/013308; Y10T 428/4694
 See application file for complete search history.

(56) **References Cited**

U.S. PATENT DOCUMENTS

D286,714 S * 11/1986 Verholt D6/671.1
 D412,629 S * 8/1999 Zaidman D6/671.1
 D427,843 S * 7/2000 Van Over D7/362
 D441,221 S * 5/2001 O'Hare D6/671.1
 D457,704 S 5/2002 Fiscus et al.
 D465,693 S 11/2002 Coleman et al.
 D476,188 S * 6/2003 Wood D7/334
 D501,116 S * 1/2005 Zhang D7/334
 D503,065 S * 3/2005 Pai D7/334
 D512,081 S 11/2005 Chang
 D513,913 S 1/2006 Harwanko
 D517,345 S 3/2006 Verbeek et al.
 D521,308 S * 5/2006 Tseng D7/334
 D536,918 S 2/2007 Wood
 D549,035 S 8/2007 Chung
 D549,511 S * 8/2007 Chung D7/334
 D571,605 S 6/2008 Chung
 D574,629 S * 8/2008 Kalkwarf D6/671.1
 D588,834 S * 3/2009 Holt D6/671.1
 D592,618 S 5/2009 Lewis, II et al.
 D594,247 S 6/2009 Estephan
 D600,963 S 9/2009 Punzel et al.
 D601,137 S 9/2009 Koh
 D624,771 S 10/2010 Lim
 D632,518 S 2/2011 Schmidt et al.
 D661,141 S 6/2012 Bao
 D665,201 S 8/2012 Gaska et al.
 D665,596 S 8/2012 Shawcross et al.
 D667,652 S 9/2012 Wang
 D689,720 S 9/2013 Lim
 D694,056 S 11/2013 Dahle
 D703,466 S 4/2014 Franck et al.
 D704,981 S 5/2014 Gates

D712,676 S 9/2014 Flora
 D722,813 S 2/2015 Chung
 D727,477 S 4/2015 Mayer et al.
 D728,282 S 5/2015 Tongue et al.
 D732,854 S * 6/2015 Engebretson D6/657
 9,068,378 B2 * 6/2015 Milani E05B 43/00
 D733,470 S * 7/2015 Troyner D6/671.1
 D737,603 S 9/2015 Shah et al.
 D741,624 S 10/2015 Freimuth
 D742,136 S 11/2015 Flora
 D743,190 S 11/2015 Franck et al.
 9,267,313 B2 * 2/2016 Frison E05B 65/463
 9,337,920 B2 * 5/2016 Chen H02B 1/044
 9,357,879 B2 6/2016 Ortner et al.
 9,468,305 B2 * 10/2016 Flora A47C 17/58
 D770,815 S * 11/2016 Jackson D6/671.1
 9,486,075 B2 * 11/2016 Liu A47B 83/00
 9,486,911 B1 * 11/2016 Liu B25H 1/12
 D780,488 S 3/2017 Celano
 D788,491 S 6/2017 Lim
 D805,322 S 12/2017 Johanson
 D807,084 S * 1/2018 Waldner D6/671.1
 D809,847 S 2/2018 Liu
 D823,617 S 7/2018 Chiao et al.
 D824,194 S 7/2018 Kagan
 D825,230 S 8/2018 Massaud
 D826,291 S 8/2018 Lim et al.
 D828,056 S 9/2018 Chiao et al.
 D833,207 S 11/2018 Zemel
 D835,926 S 12/2018 Abatemarco, Jr.
 2006/0037599 A1 2/2006 Hill
 2008/0047209 A1 2/2008 Hinterholzer et al.
 2009/0178666 A1 7/2009 Cagle et al.
 2009/0235918 A1 9/2009 Espina et al.
 2014/0053823 A1 2/2014 Frantz
 2015/0351538 A1 * 12/2015 Wells A47B 95/008
 312/246
 2016/0208837 A1 * 7/2016 Chang F16B 5/02
 2016/0360924 A1 12/2016 Bruin-Slot
 2018/0255970 A1 9/2018 Rudy et al.

* cited by examiner

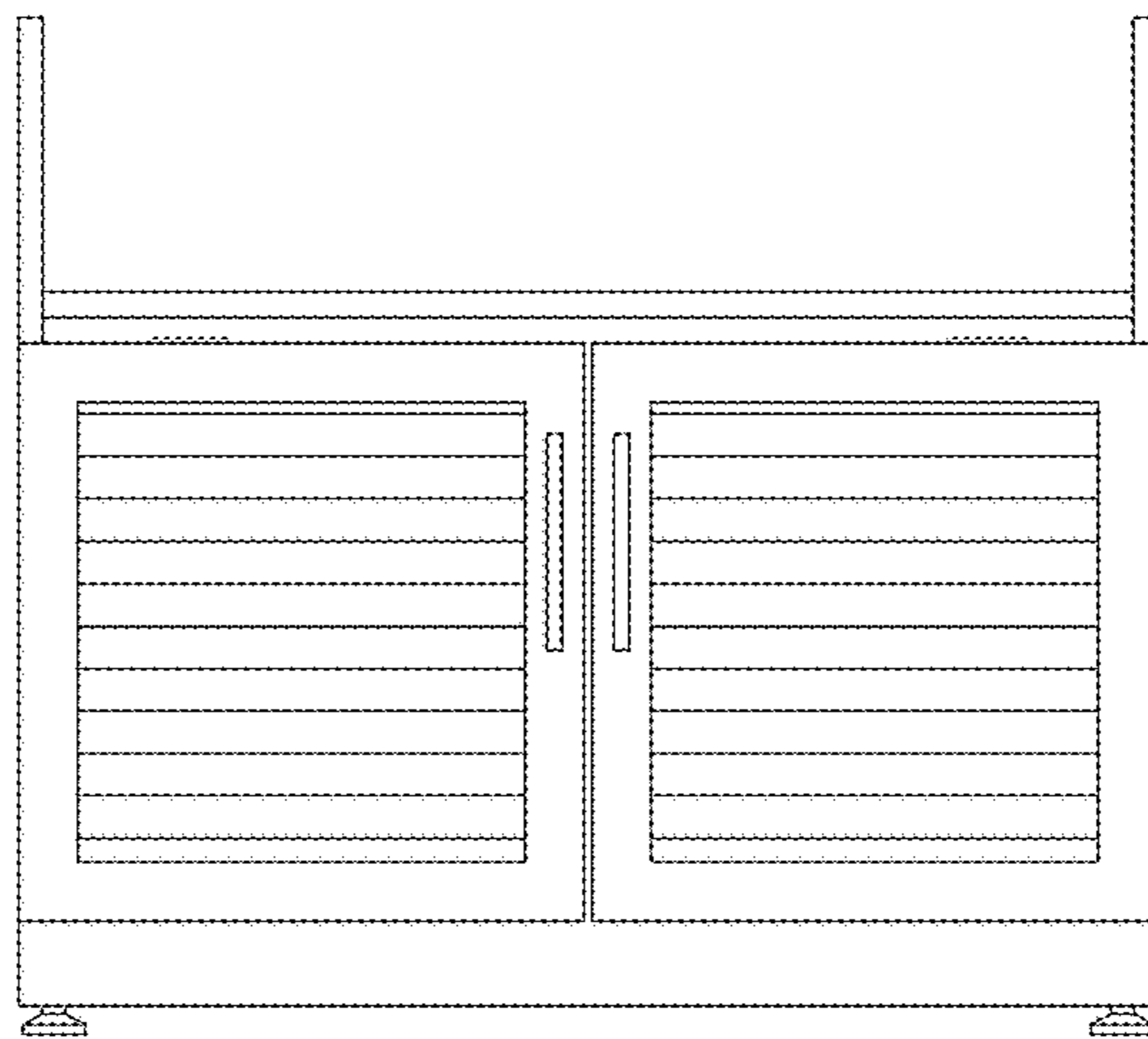
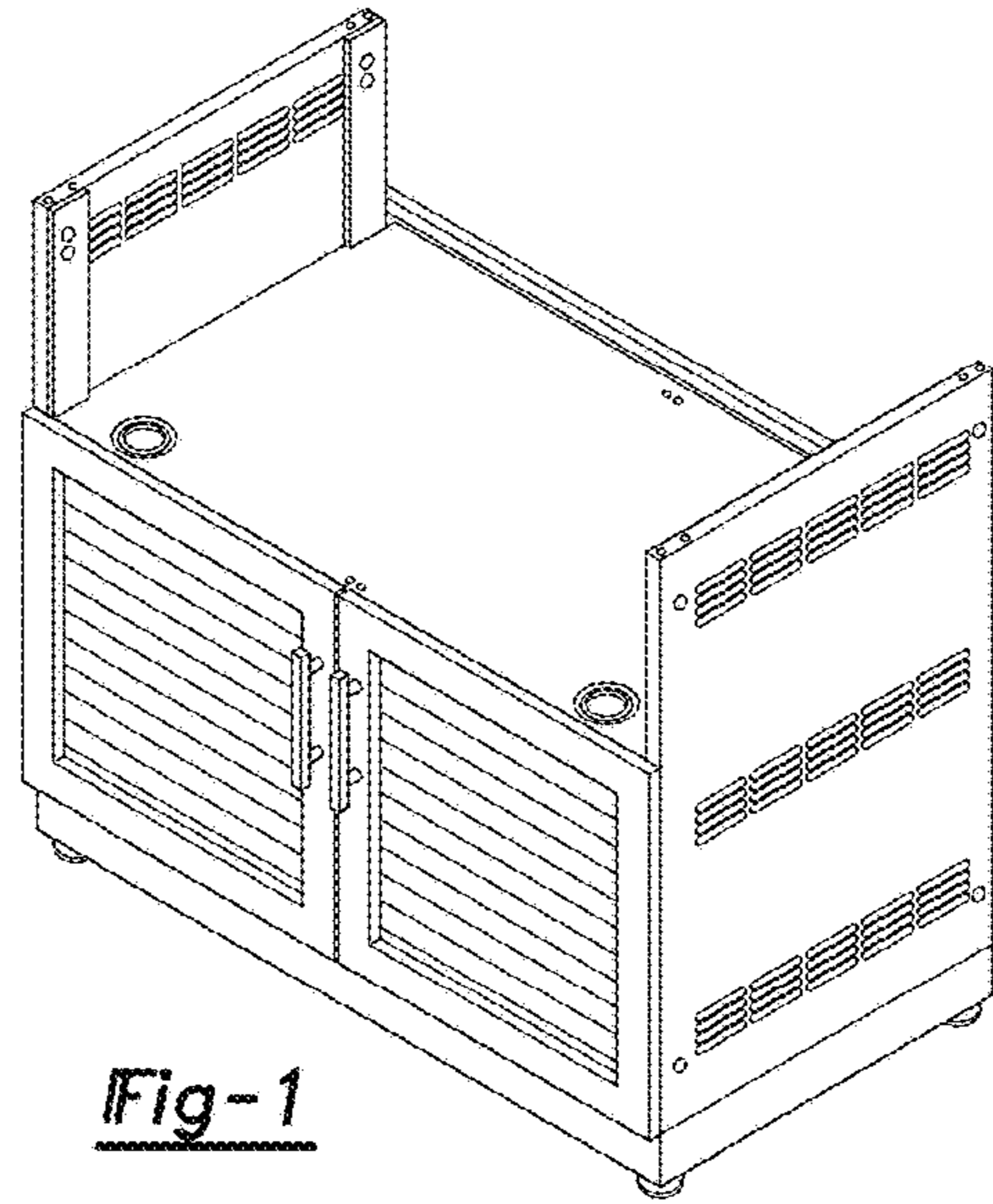


Fig-2

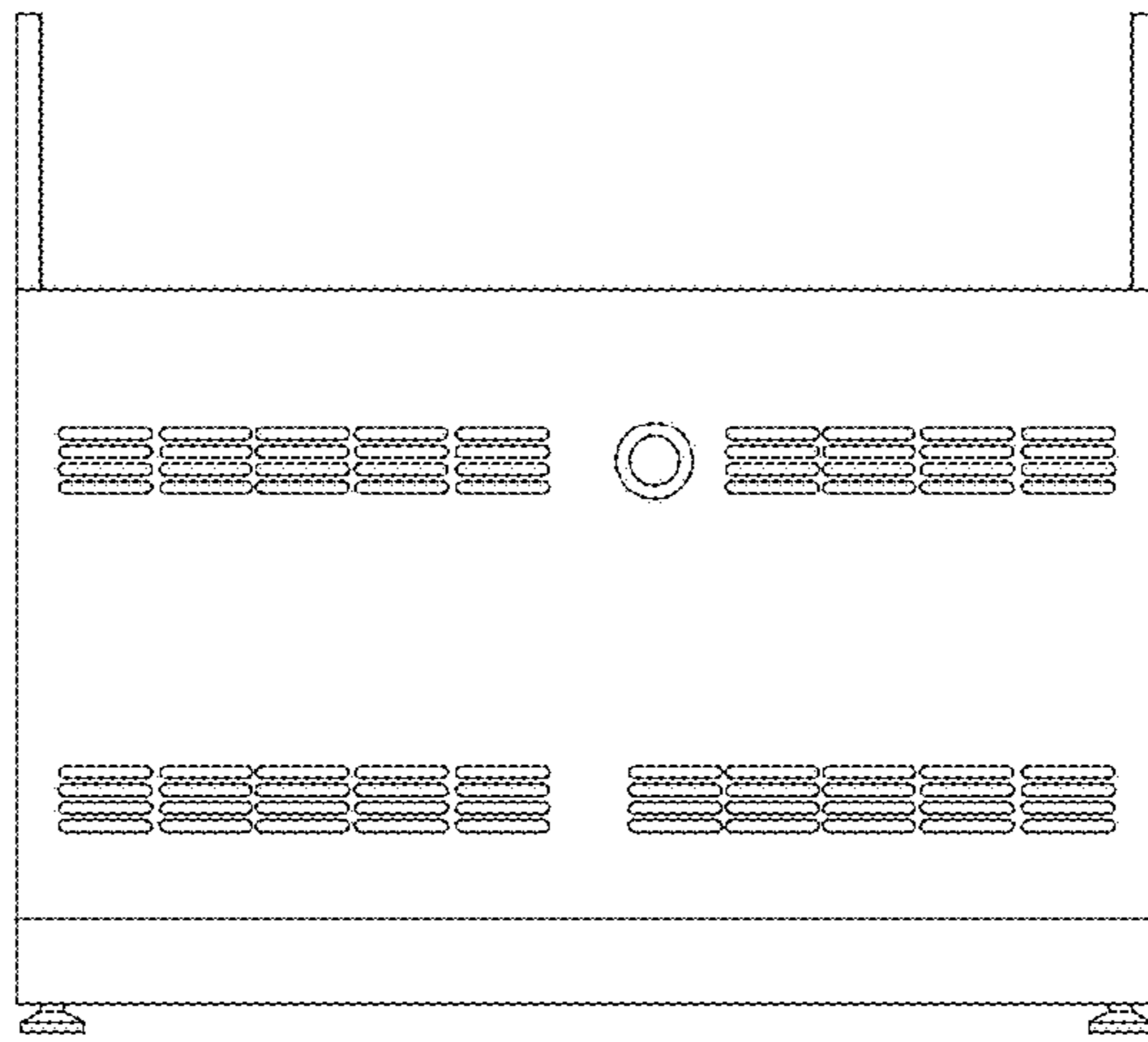


Fig-3

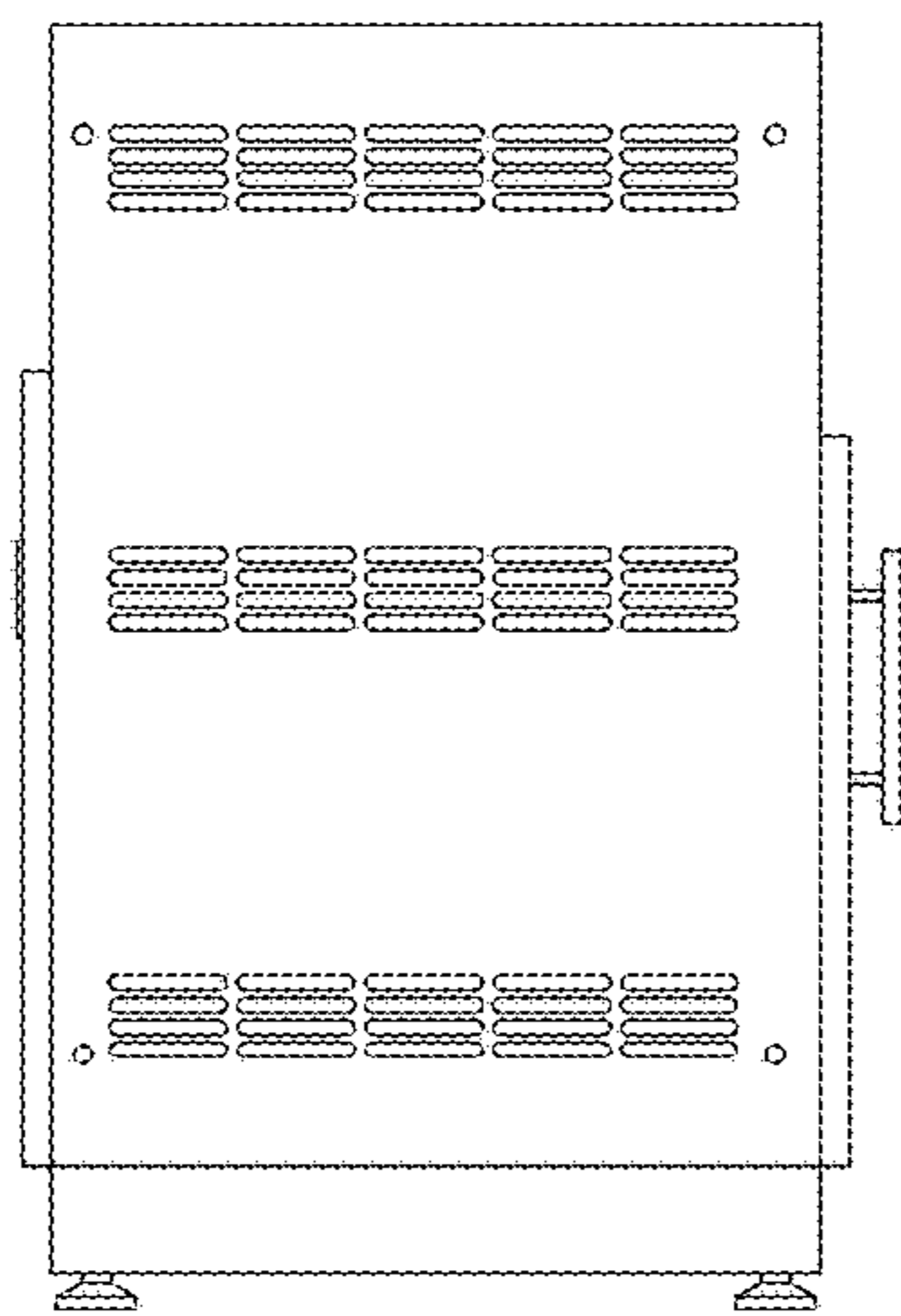


Fig-4

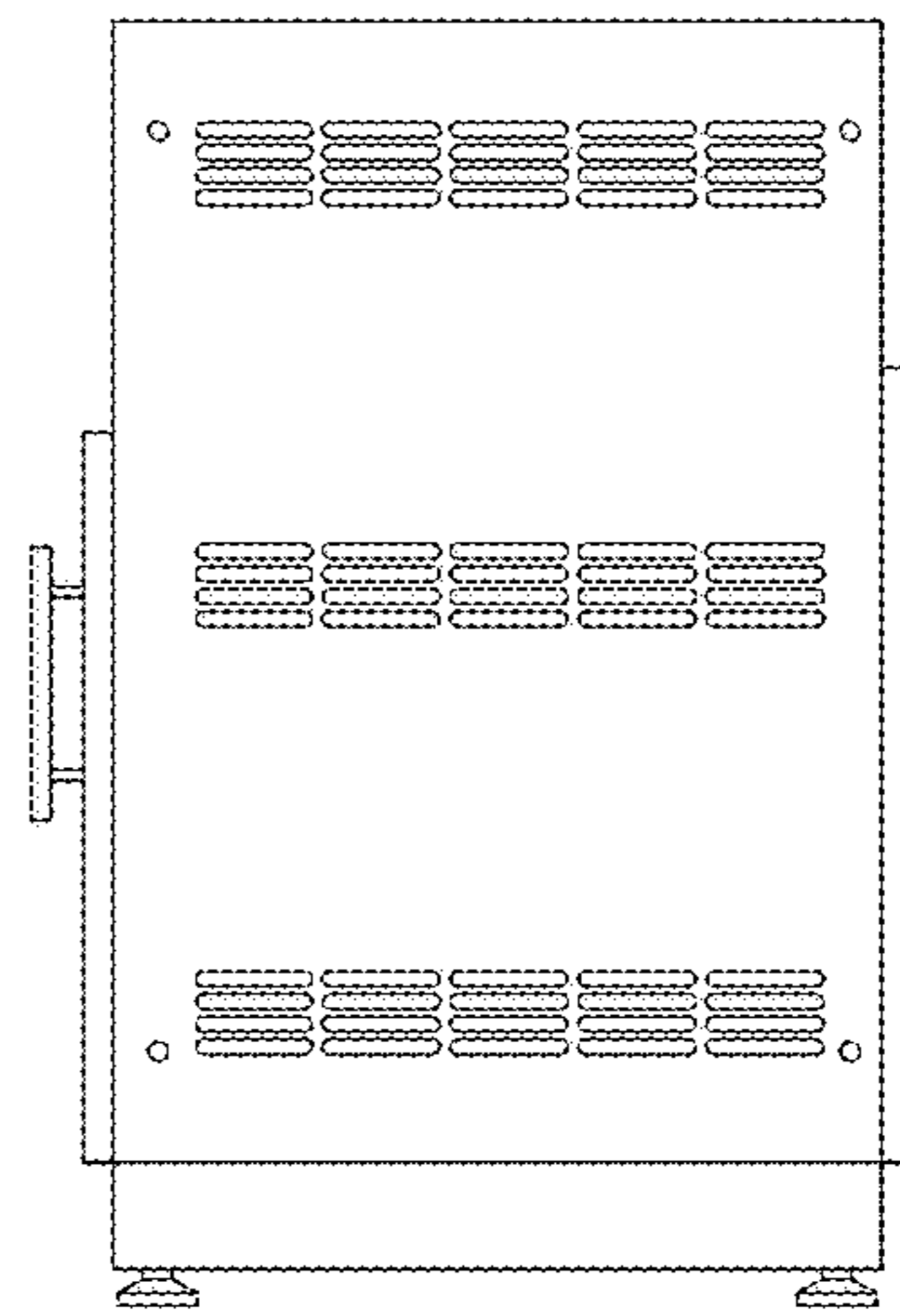


Fig-5

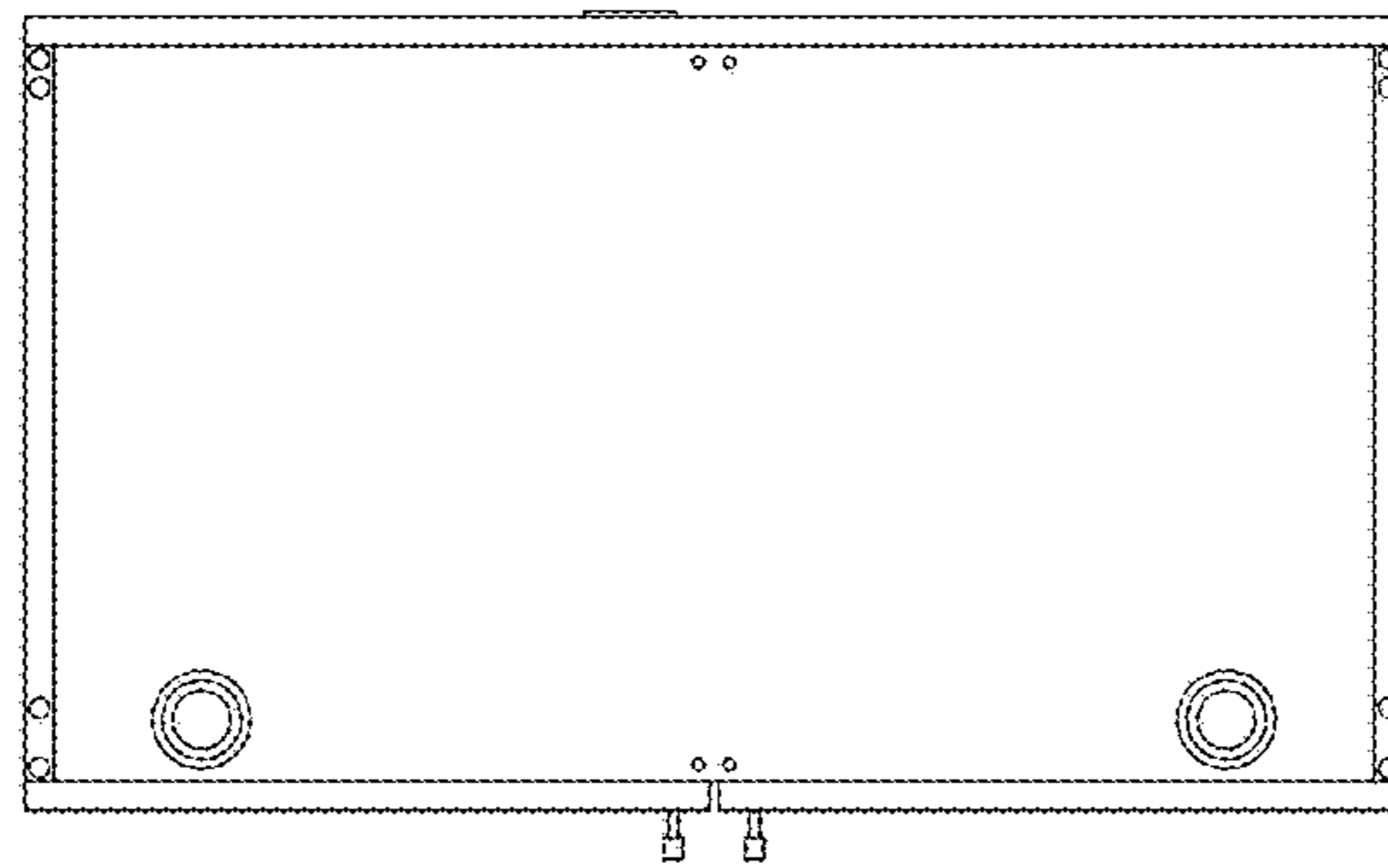


Fig-6

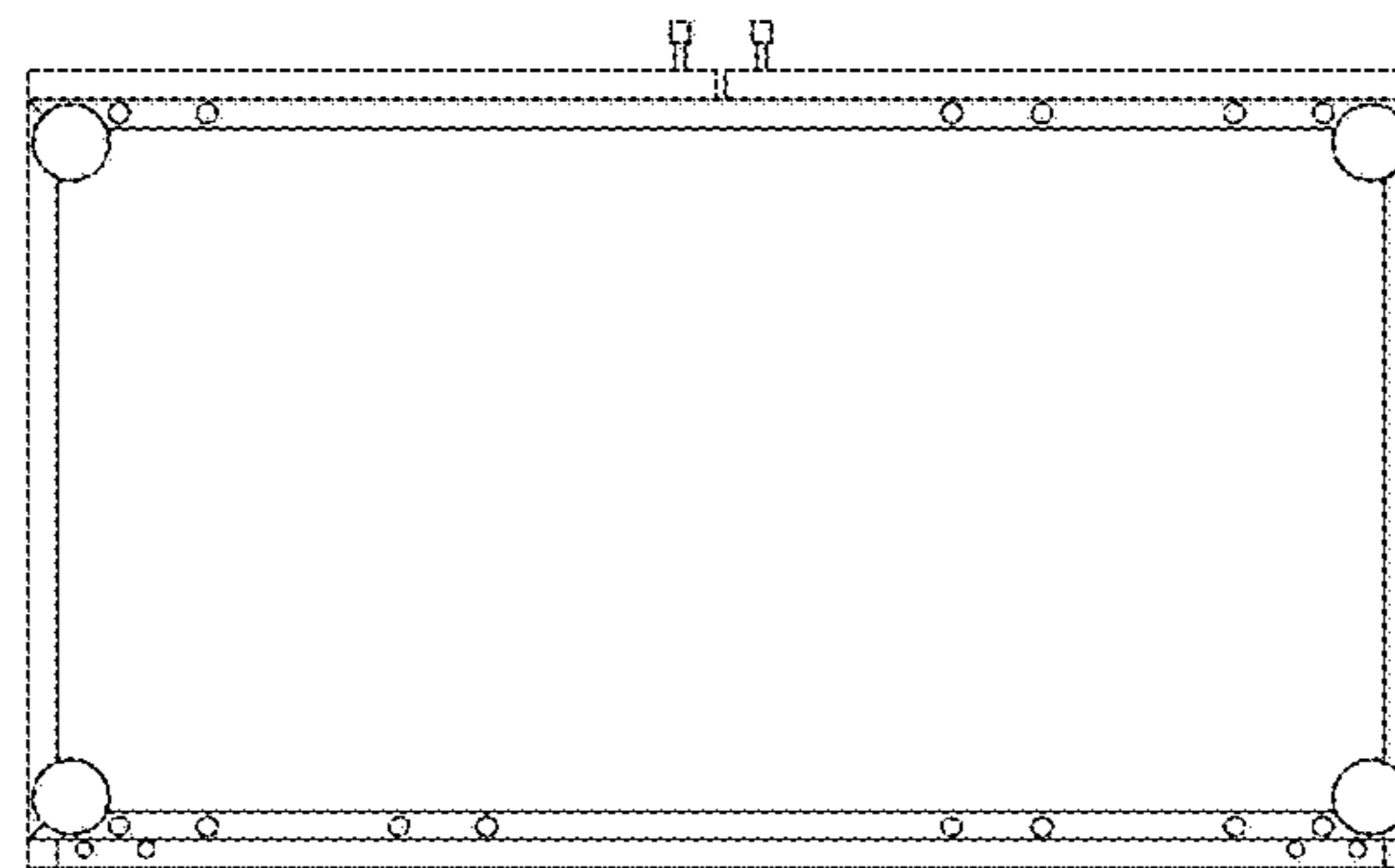


Fig-7

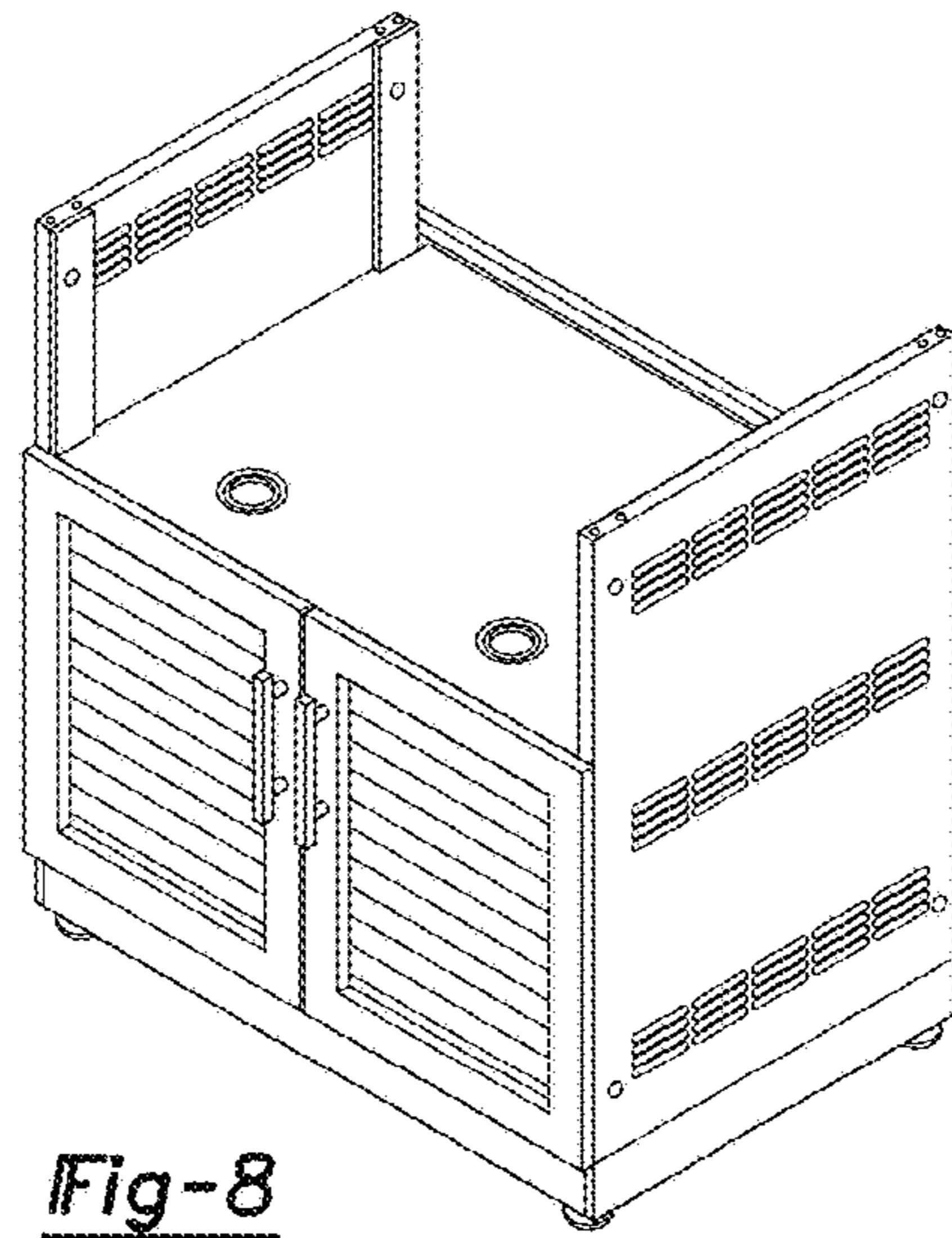


Fig-8

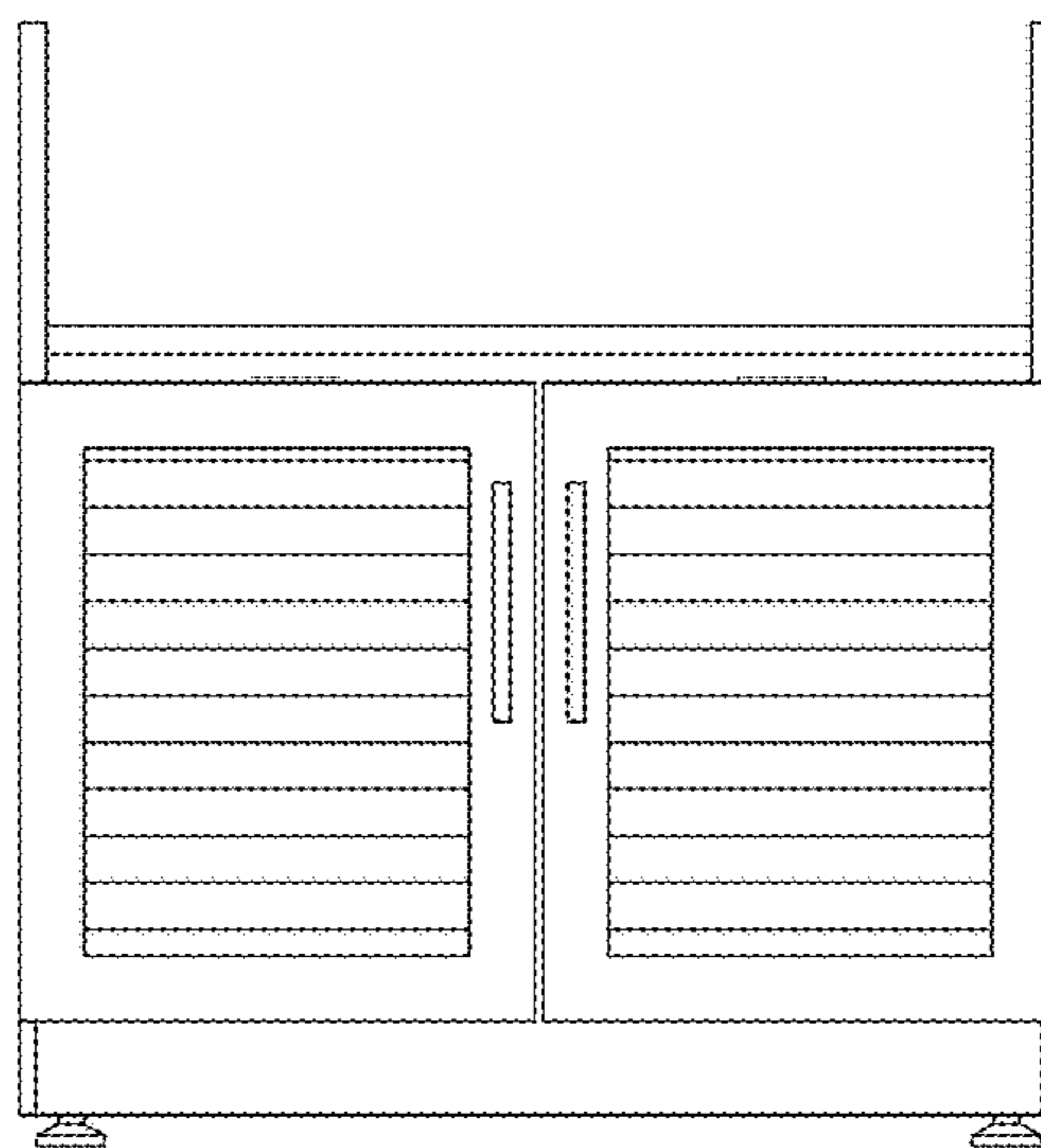


Fig-9

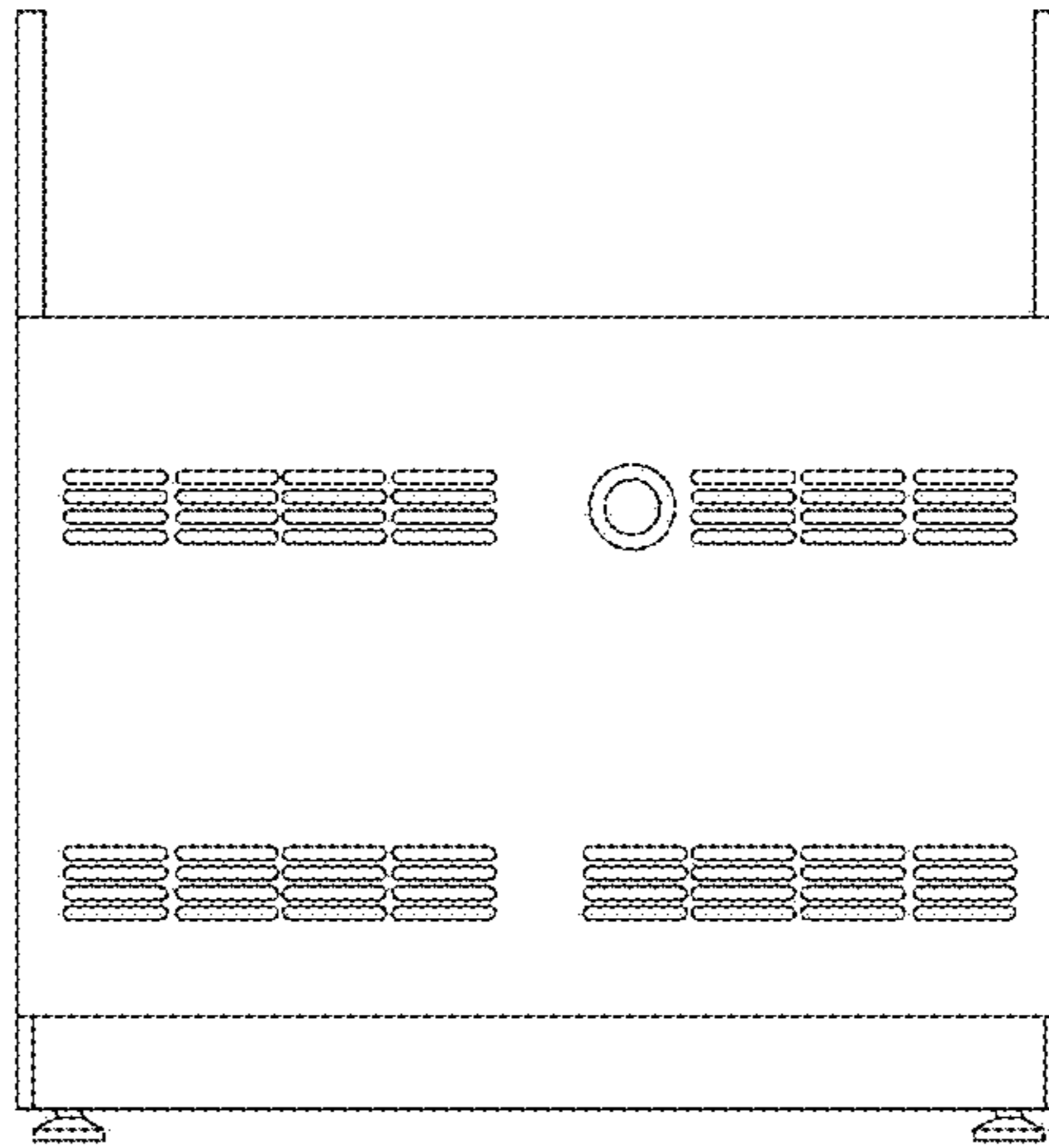


Fig-10

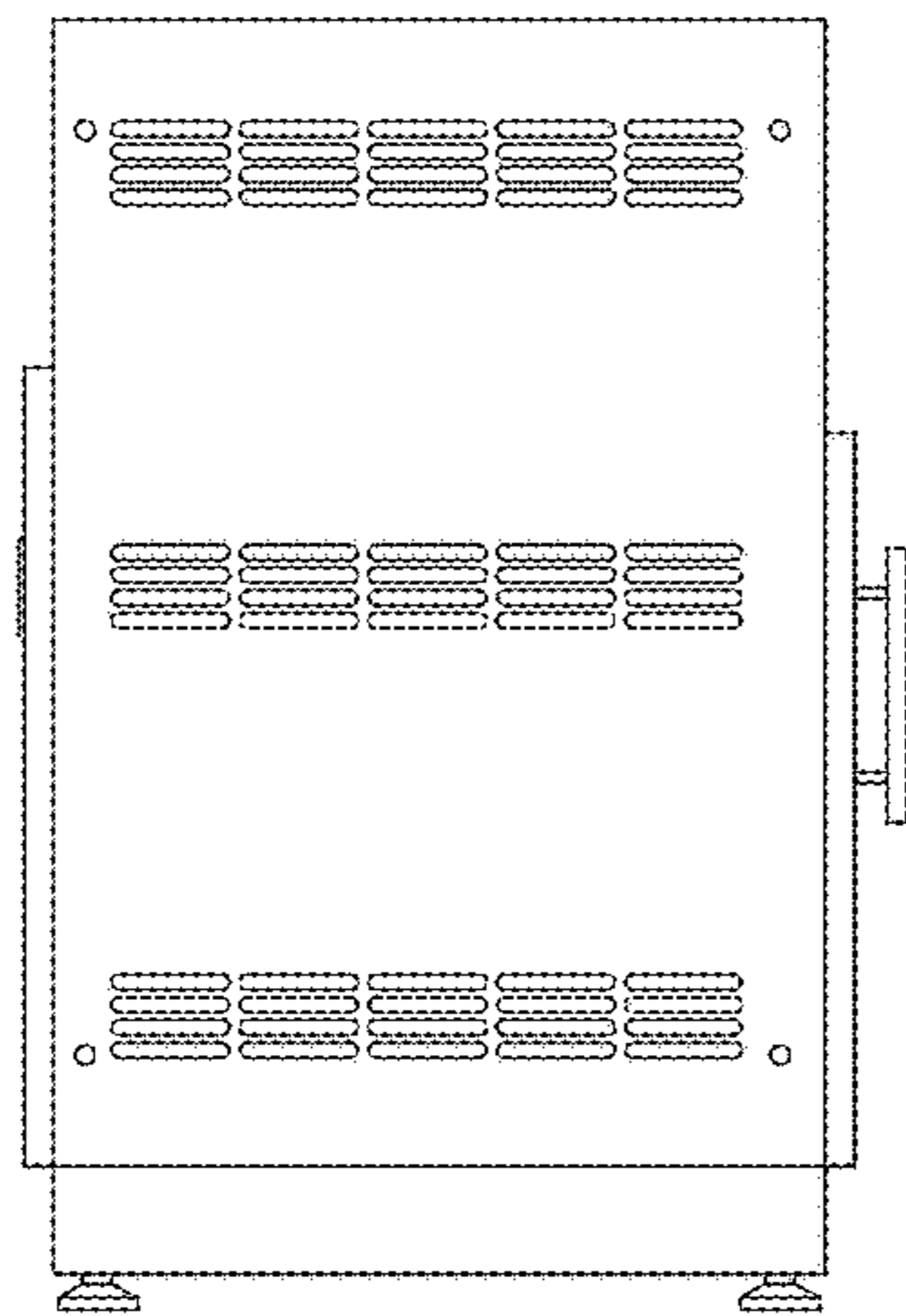


Fig-11

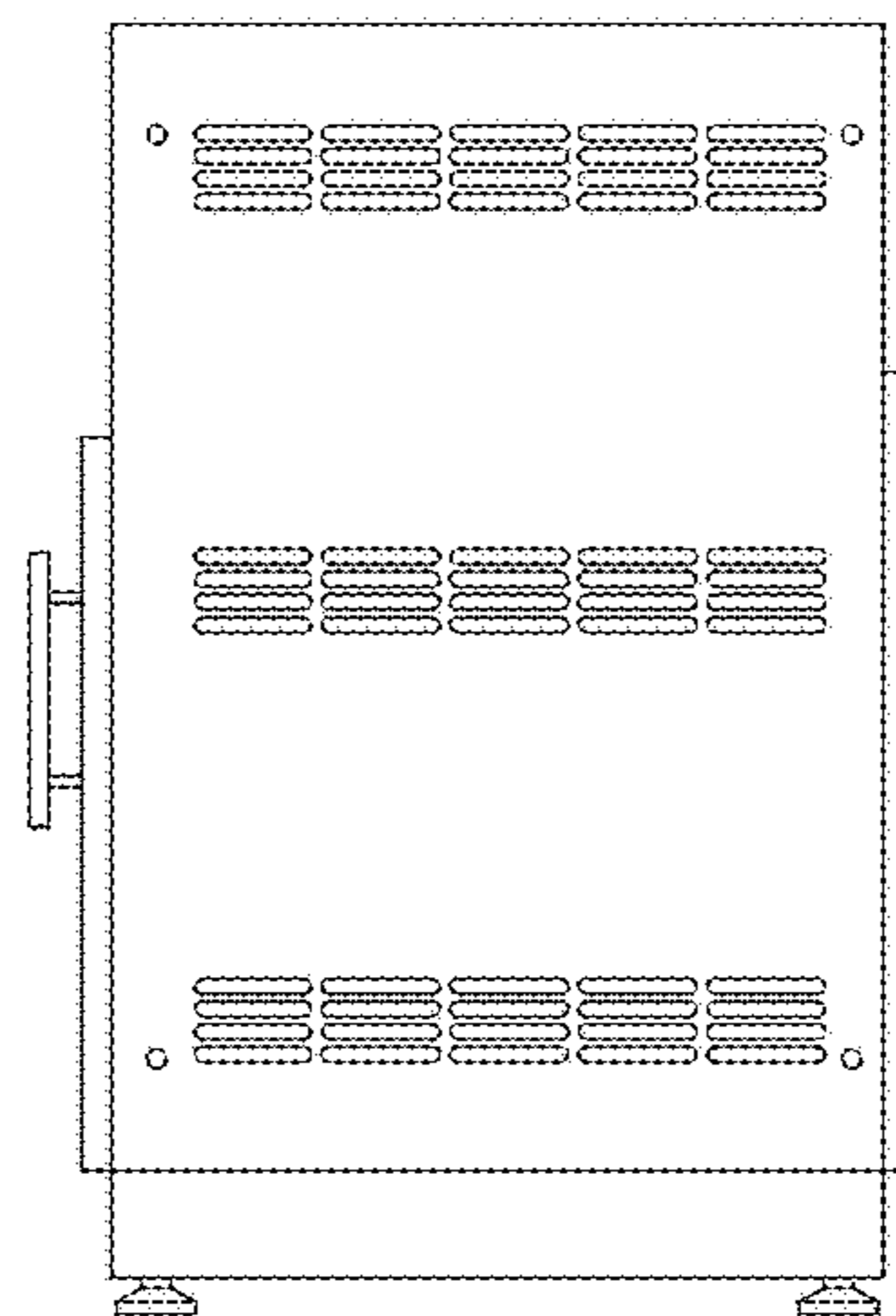


Fig-12

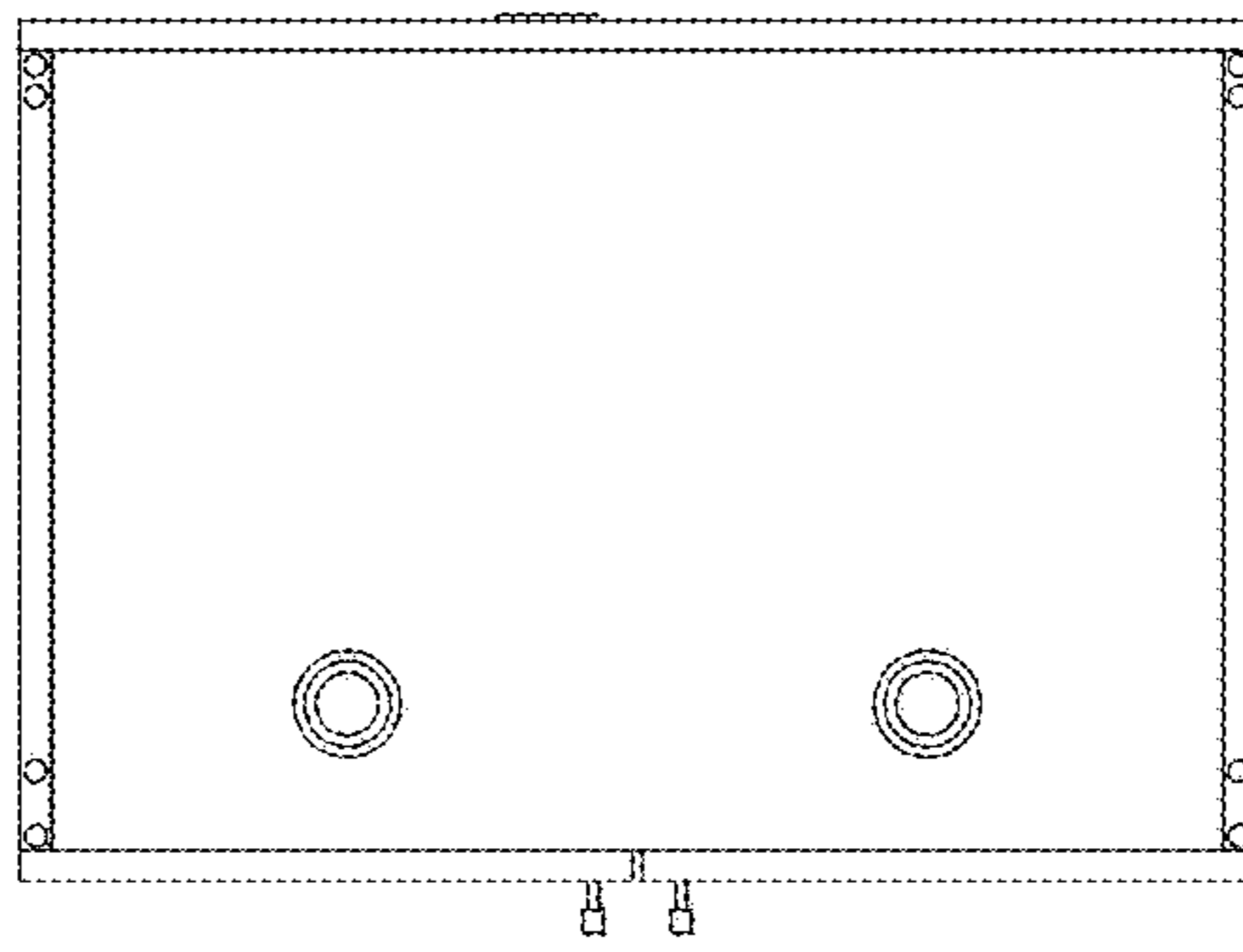


Fig-13

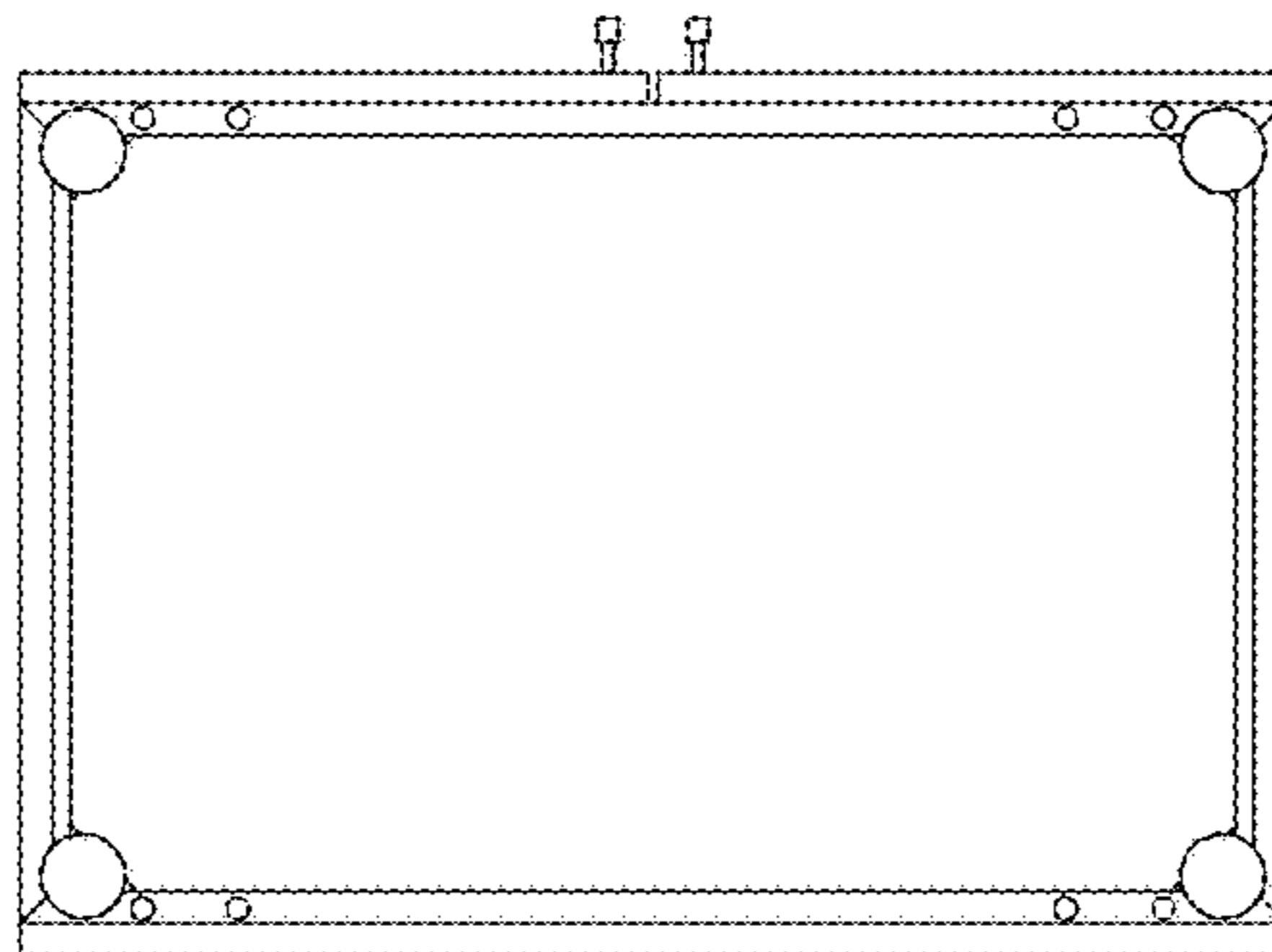


Fig-14