



US00D858117S

(12) **United States Design Patent** (10) **Patent No.:** **US D858,117 S**
Brackenridge et al. (45) **Date of Patent:** **** Sep. 3, 2019**

(54) **TRIM PLUG**
(71) Applicant: **Haworth, Inc.**, Holland, MI (US)
(72) Inventors: **Chad William Brackenridge**,
Hudsonville, MI (US); **Kristopher**
Allen Gillhespy, Grand Rapids, MI
(US); **Colton Daniel Wilson**, Spring
Lake, MI (US)
(73) Assignee: **Haworth, Inc.**, Holland, MI (US)

4,858,413 A 8/1989 Grushka
D333,967 S * 3/1993 Shepherd D8/313
5,424,108 A 6/1995 Whetstone
5,806,140 A 9/1998 Carlson et al.
D403,235 S 12/1998 Nakamura
D406,227 S 3/1999 Nakamura
D406,748 S 3/1999 Byrne
D418,352 S * 1/2000 Cadorette D25/119
6,025,047 A 2/2000 Catta et al.
D422,961 S 4/2000 Huckaby et al.
6,133,528 A 10/2000 Henriott et al.
(Continued)

(**) Term: **15 Years**

OTHER PUBLICATIONS

(21) Appl. No.: **29/649,224**
(22) Filed: **May 29, 2018**
(51) **LOC (12) Cl.** **06-03**
(52) **U.S. Cl.**
USPC **D6/329**
(58) **Field of Classification Search**
USPC D6/657, 663, 664, 668, 668.1, 668.2,
D6/669, 671, 671.3, 671.4, 672, 673, 707,
D6/707.19, 707.24, 719; 312/137, 140.1,
312/140.2, 14.03, 140.4; D23/270-273,
D23/286, 303, 308; D24/234; D25/119;
52/36.2, 782.23, 796.12, 287.1, 532, 631,
52/696; D8/313, 300, 400, 403, 322,
D8/343, 344
CPC A47B 97/00; A47B 95/00; A47B 95/043;
A47B 95/04; E04C 3/30; E04B 1/00;
E04B 1/043
See application file for complete search history.

Device Technologies, Inc., "Protecting Critical Equipment", 2012-2013 web product catalog, www.devicetech.com, 56 pages.

Primary Examiner — Abraham Bahta
(74) *Attorney, Agent, or Firm* — Warner Norcross + Judd LLP

(57) **CLAIM**

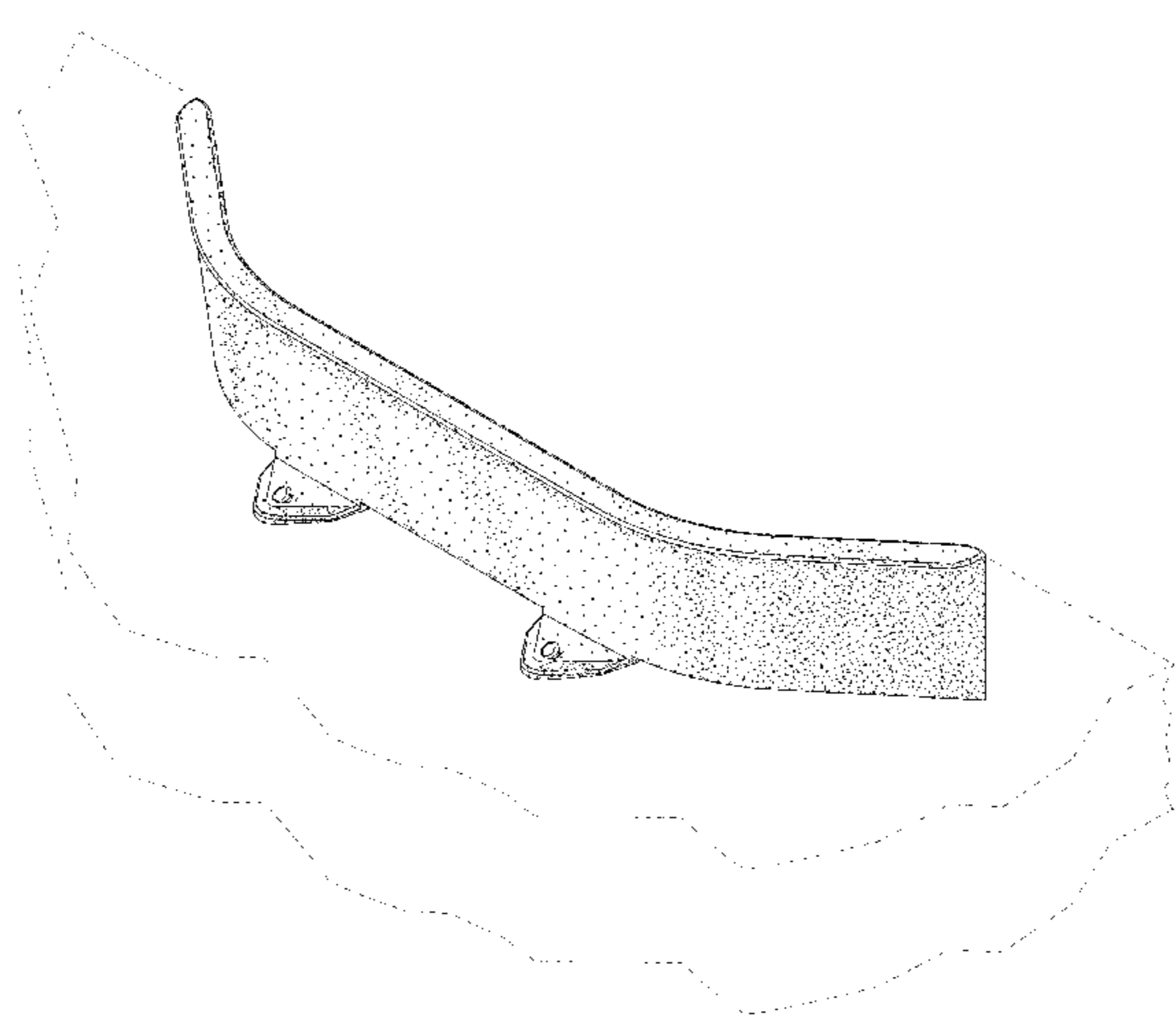
The ornamental design for trim plug, as shown and described.

DESCRIPTION

FIG. 1 is a front perspective environmental view of a trim plug embodying the new design;
FIG. 2 is a left view thereof;
FIG. 3 is a right view thereof;
FIG. 4 is a top view thereof;
FIG. 5 is a bottom view thereof;
FIG. 6 is a rear view thereof; and,
FIG. 7 is a front view thereof.
FIG. 1 shows features of a work-surface in broken lines. These features are shown for environmental purposes and do not form any part of the claimed design. Stipple shading is added to various Figures to convey surface contouring; the stipple shading is not to be understood as conveying a particular surface finish.

(56) **References Cited**
U.S. PATENT DOCUMENTS
2,564,386 A 8/1951 Webb
2,743,980 A 5/1956 Hobbs
3,001,246 A 9/1961 Mather
3,294,353 A 12/1966 Rowe
D271,070 S 10/1983 Durkee
D301,684 S 6/1989 Herzog

1 Claim, 4 Drawing Sheets



(56)

References Cited

U.S. PATENT DOCUMENTS

D442,398	S	5/2001	Waisbrod	
D463,170	S	* 9/2002	Schultz	D6/707.24
6,694,566	B1	2/2004	Mockett	
D502,864	S	3/2005	Olson	
7,064,275	B2	6/2006	Henriott et al.	
D597,823	S	8/2009	Sempliner et al.	
D607,241	S	* 1/2010	Clausen	D6/707.24
7,788,766	B2	9/2010	Mockett	
8,178,795	B2	5/2012	Roy	
D690,544	S	* 10/2013	Feeney	D6/707.24
D706,071	S	* 6/2014	Lanciers	D6/719
9,339,111	B1	5/2016	Lynn	
9,603,446	B1	3/2017	Derman	
2016/0367024	A1	12/2016	Stanley	

* cited by examiner

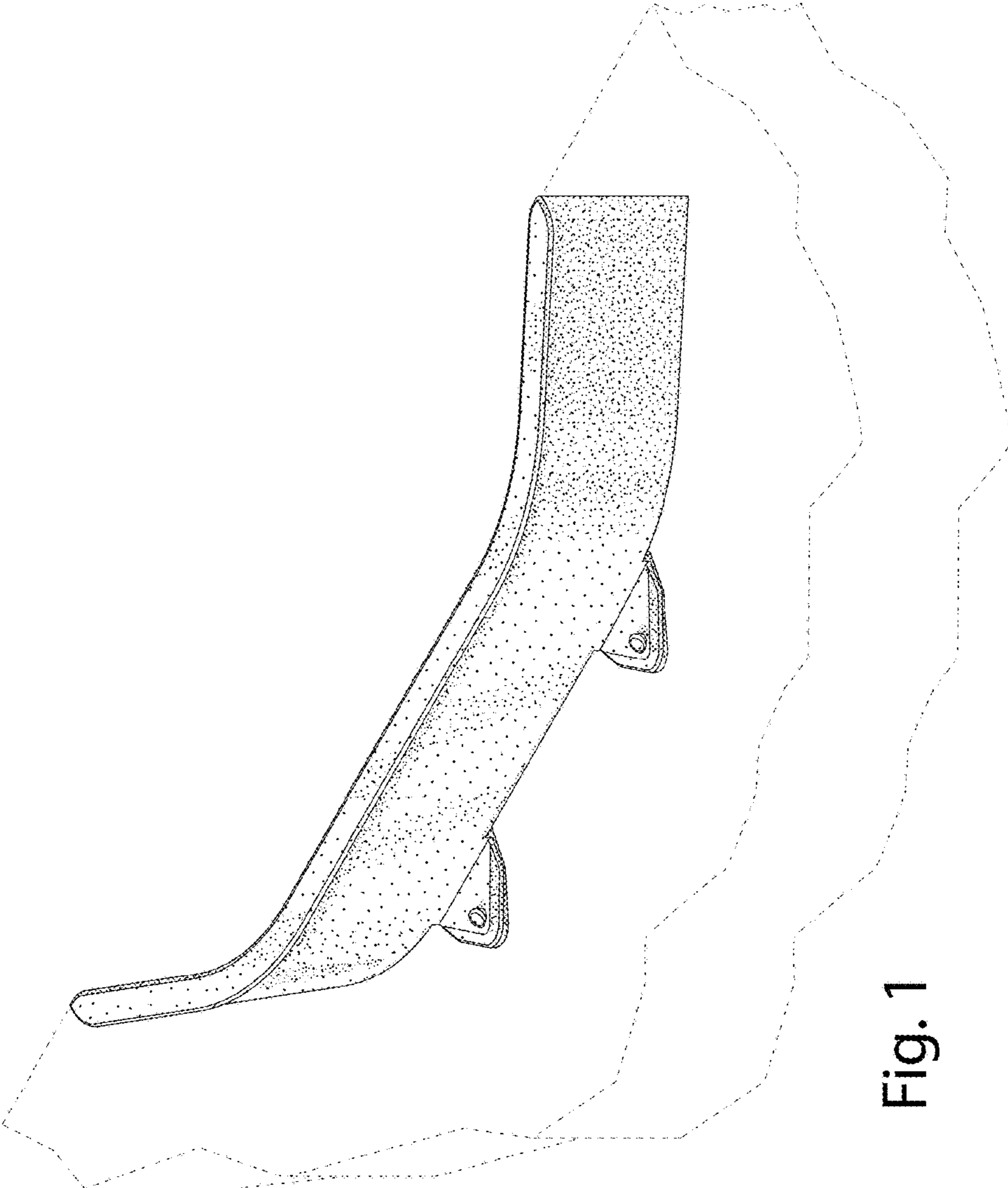


Fig. 1

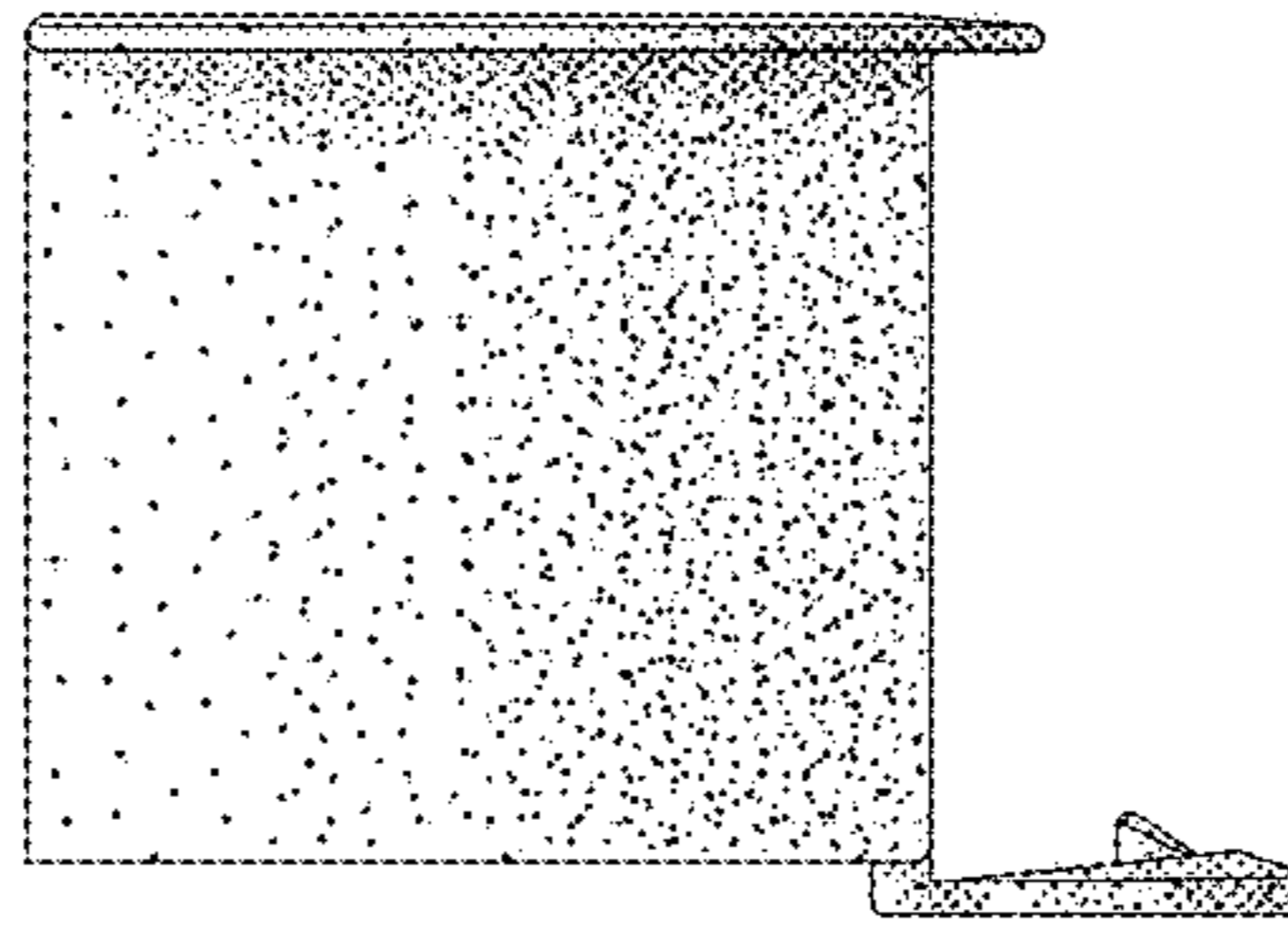


Fig. 2

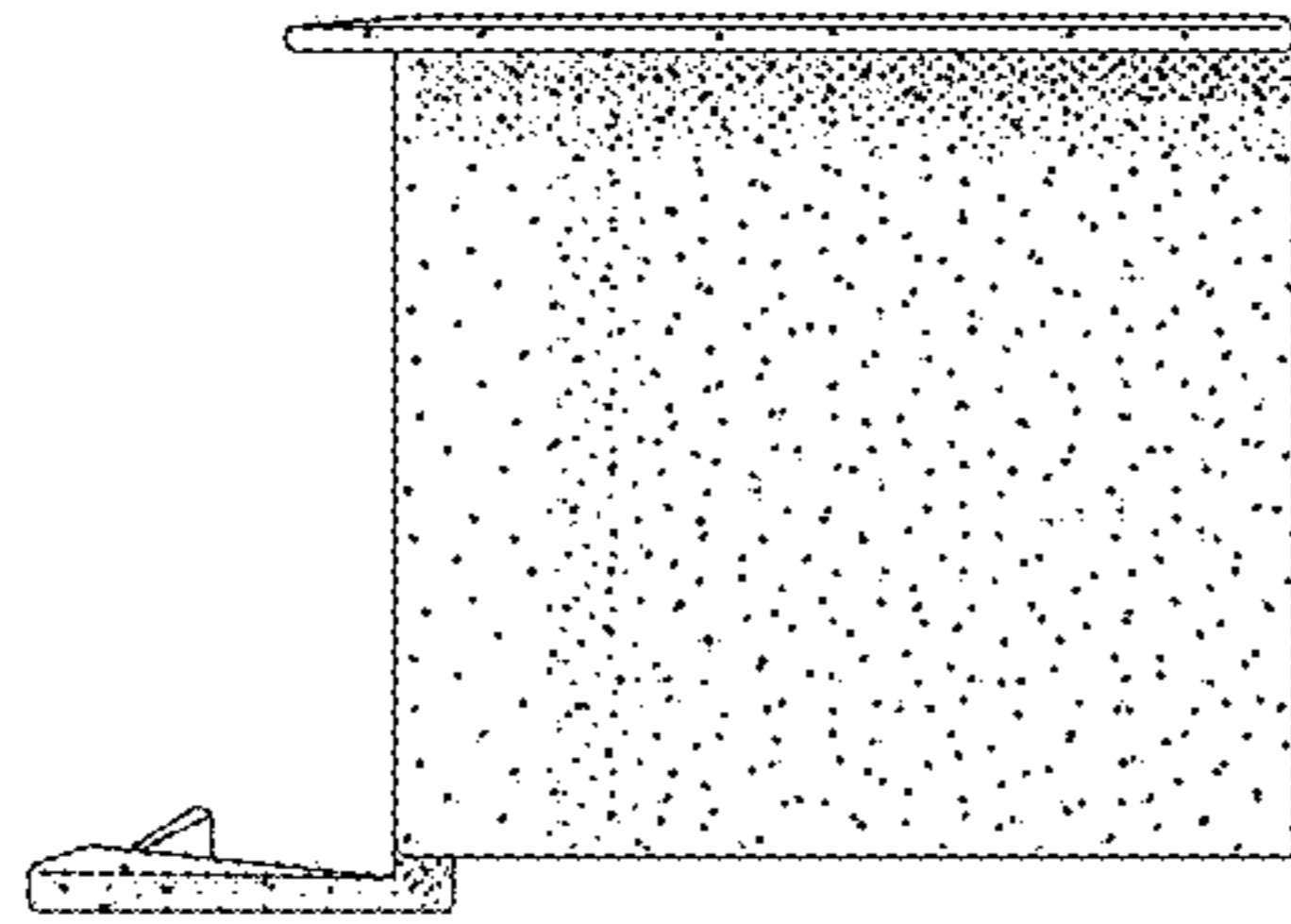


Fig. 3

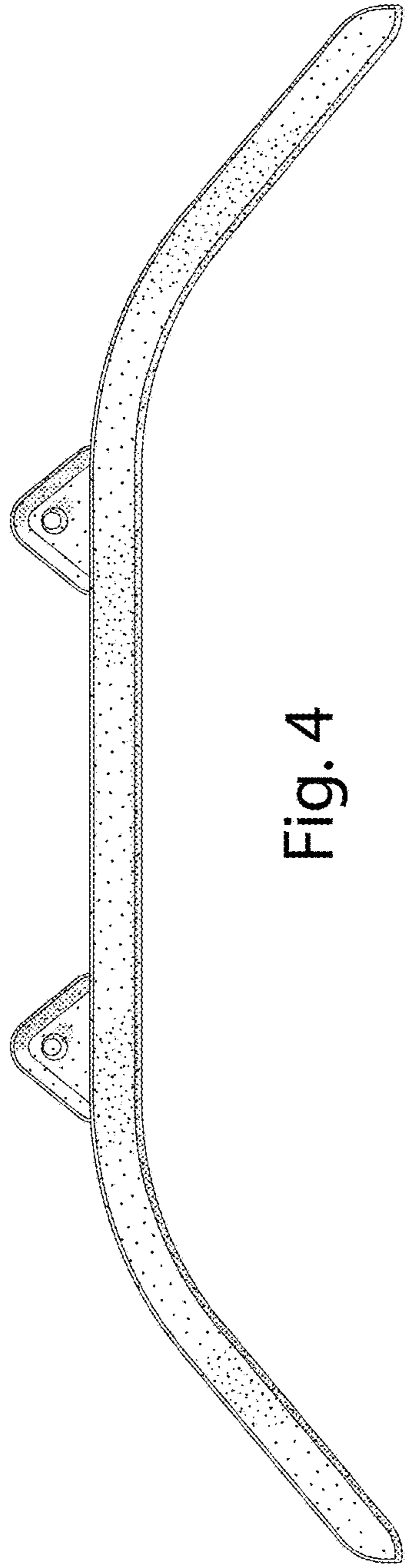


Fig. 4

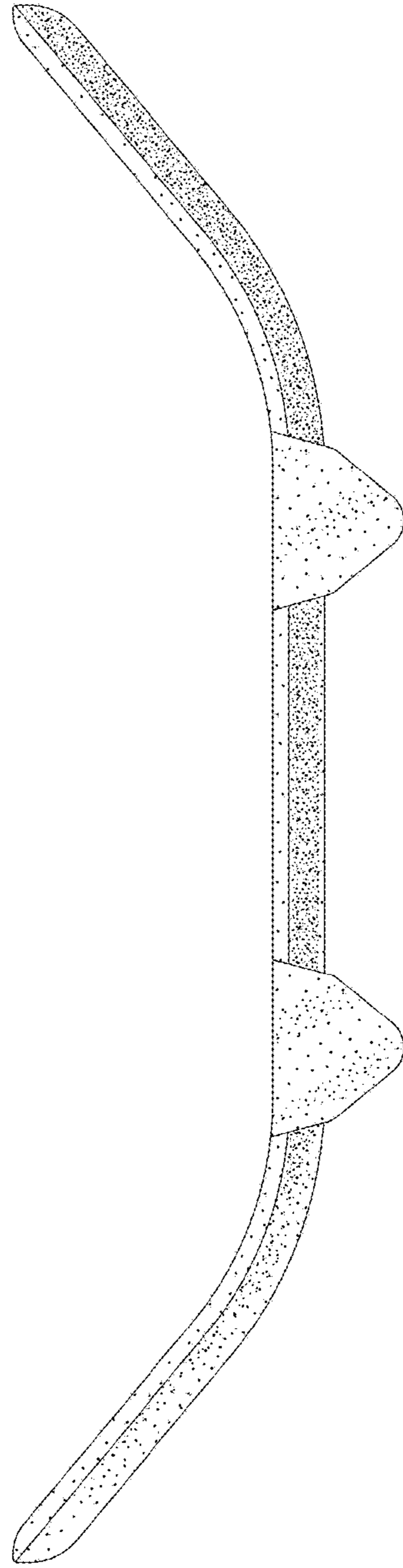


Fig. 5

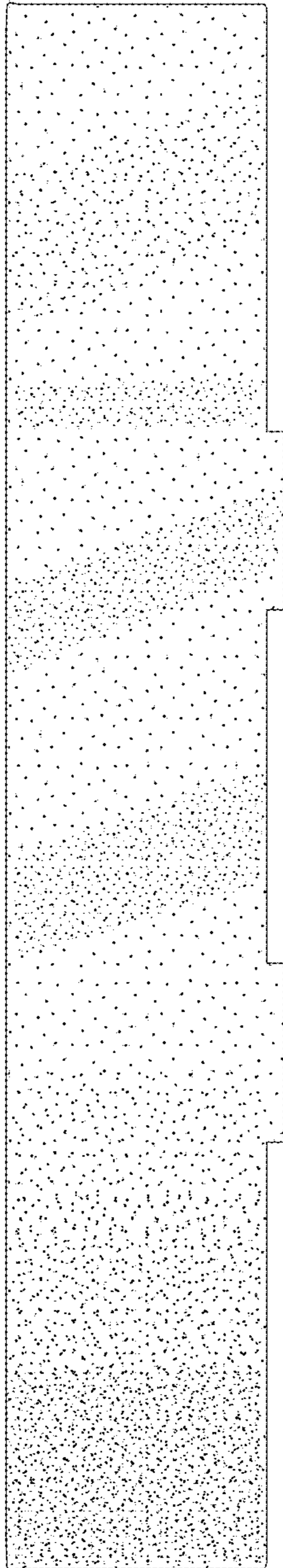


Fig. 6

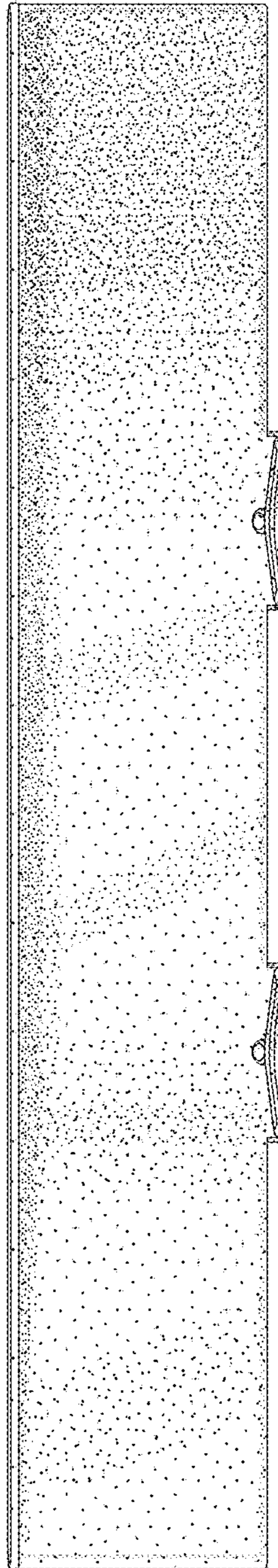


Fig. 7