



US00D858116S

(12) **United States Design Patent**
Wierbicki

(10) **Patent No.:** **US D858,116 S**

(45) **Date of Patent:** **** Sep. 3, 2019**

- (54) **CAP RACK**
- (71) Applicant: **Robert Jason Wierbicki**, Washington, MI (US)
- (72) Inventor: **Robert Jason Wierbicki**, Washington, MI (US)
- (**) Term: **15 Years**
- (21) Appl. No.: **29/647,154**
- (22) Filed: **May 10, 2018**
- (51) **LOC (12) Cl.** **06-08**
- (52) **U.S. Cl.**
USPC **D6/323**; D6/320; D8/367
- (58) **Field of Classification Search**
USPC D6/315, 317, 318, 319, 320, 323, 324, D6/325, 326, 327, 512, 513, 552, 553, D6/556, 566, 567, 572; D8/367, 372, D8/380, 381
CPC A47G 25/10; A47G 25/403; A47G 25/005; A47G 25/74
See application file for complete search history.

- 6,578,716 B1 * 6/2003 Wei A47F 7/06 206/9
- 6,694,654 B2 * 2/2004 Pouloukefalos A47F 5/0823 40/642.01
- D553,481 S * 10/2007 Kubota D8/367
- D568,619 S * 5/2008 Worrell D6/317
- D625,525 S * 10/2010 Morris 323/327
- D668,937 S * 10/2012 Walker D8/367
- D746,664 S * 1/2016 Najieb D23/411
- D760,068 S * 6/2016 Sehl D8/367

* cited by examiner

Primary Examiner — Lauren R Calve

(74) *Attorney, Agent, or Firm* — Dunlap Bennett & Ludwig PLLC

(57) **CLAIM**

The ornamental design for a cap rack, as shown and described.

DESCRIPTION

FIG. 1 is a front perspective view of a cap rack; FIG. 2 is a front elevation view thereof; FIG. 3 is a left elevation view thereof, the right elevation view being the mirror image thereof; FIG. 4 is a top plan view thereof; FIG. 5 is a bottom plan view thereof; and, FIG. 6 is the left elevation view, shown in use.

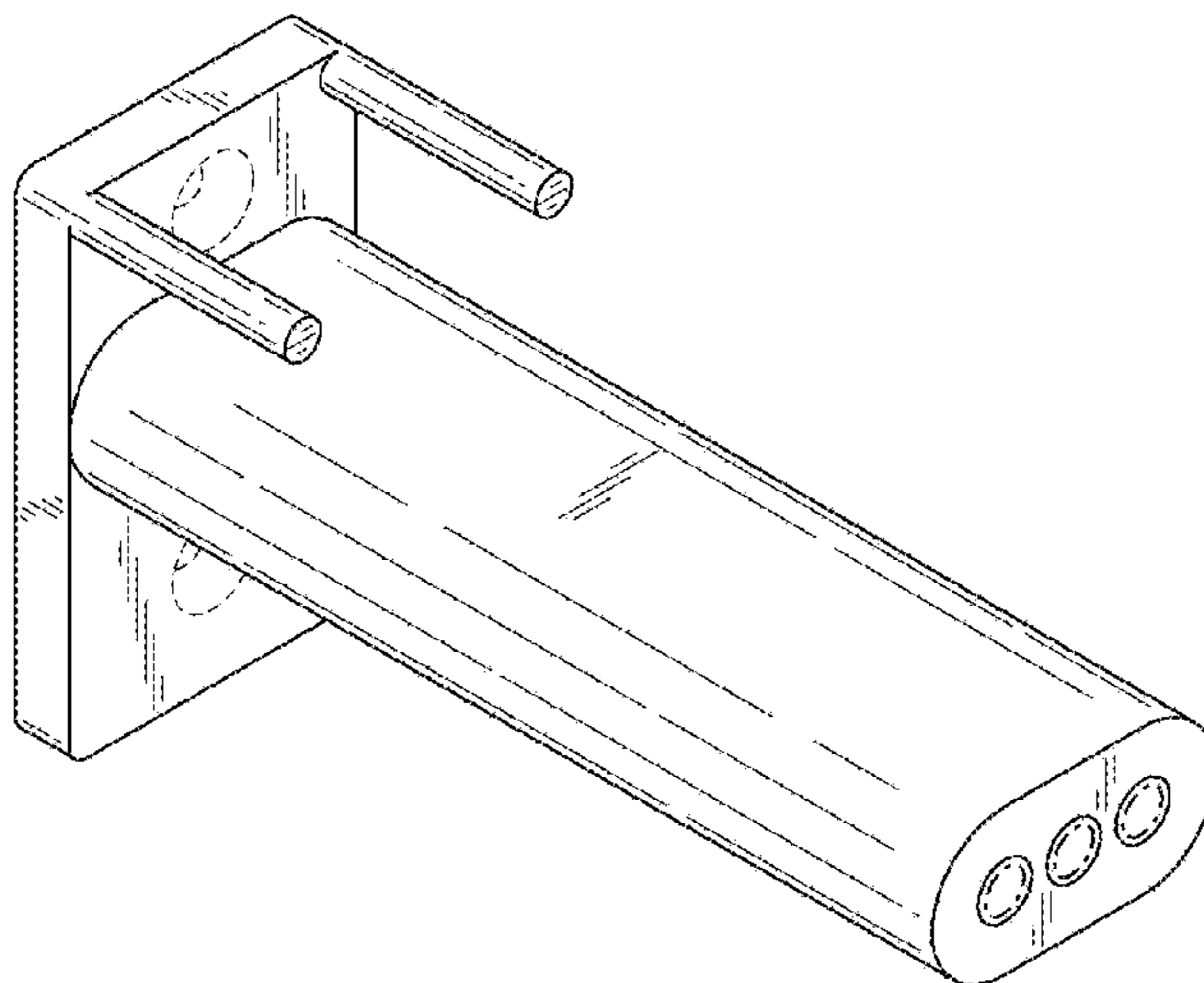
The evenly-sized broken lines showing a cap, a supporting surface, and a fastener depict environmental subject matter that forms no part of the claimed design, while the remaining evenly-sized broken lines shown in the drawings depict portions of the cap rack that form no part of the claimed design, while the unevenly-sized broken lines consisting of dash-dot-dash lines in the drawings depict the boundary of the claimed invention and it is understood that the claim extends to the boundary that forms no part of the claimed design.

1 Claim, 4 Drawing Sheets

(56) **References Cited**

U.S. PATENT DOCUMENTS

- 3,912,084 A * 10/1975 Valiulis A47F 5/0823 248/220.22
- D261,204 S * 10/1981 Shames D6/550
- D271,546 S * 11/1983 Smith D6/324
- 5,240,123 A * 8/1993 Hawk A47F 7/06 211/30
- 5,480,073 A * 1/1996 LaManna A47F 7/06 206/303
- D368,168 S * 3/1996 Bennett D6/320
- D420,567 S * 2/2000 Laga D8/363
- 6,293,413 B1 * 9/2001 Patton A47G 25/10 211/181.1



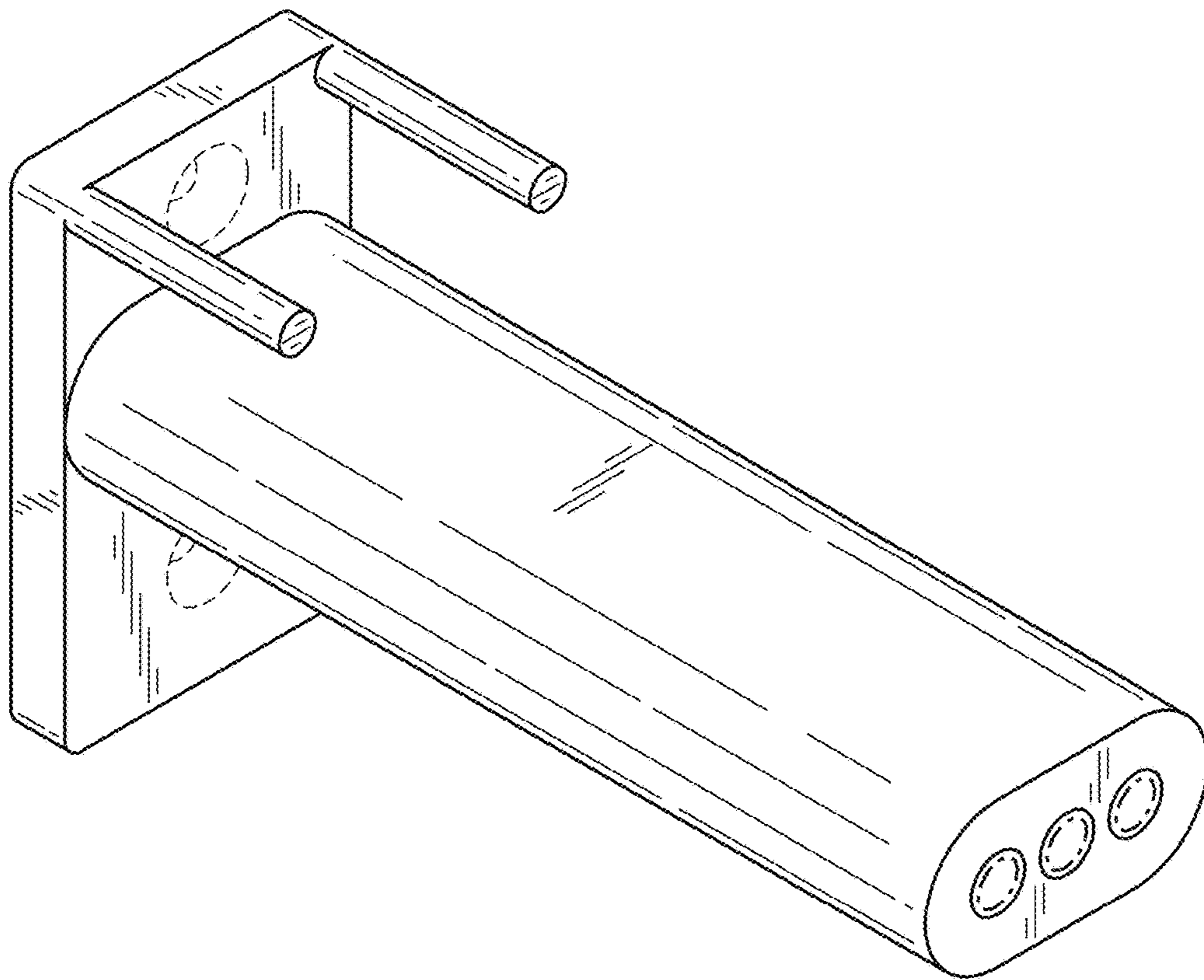


FIG. 1

FIG. 2

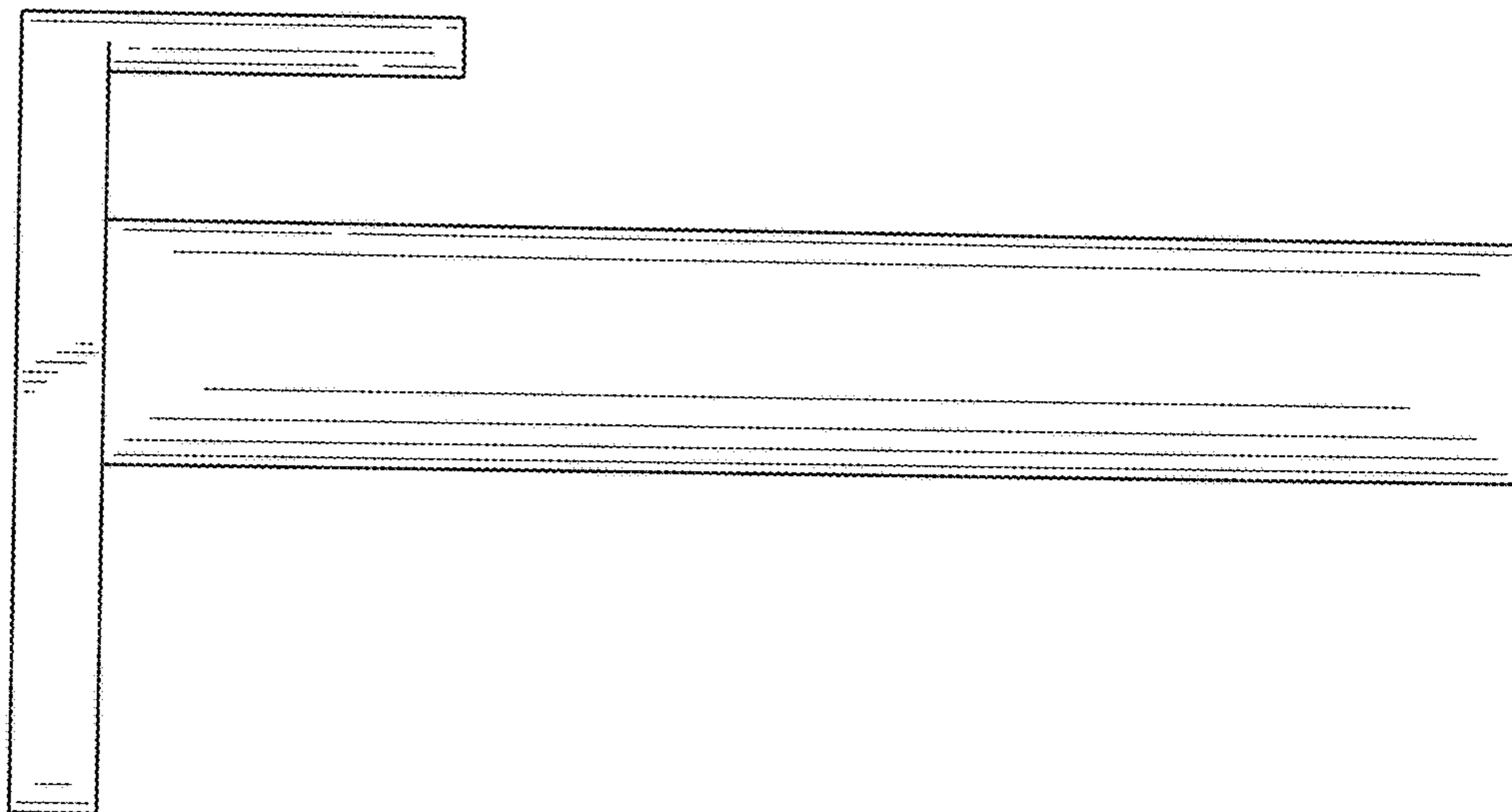
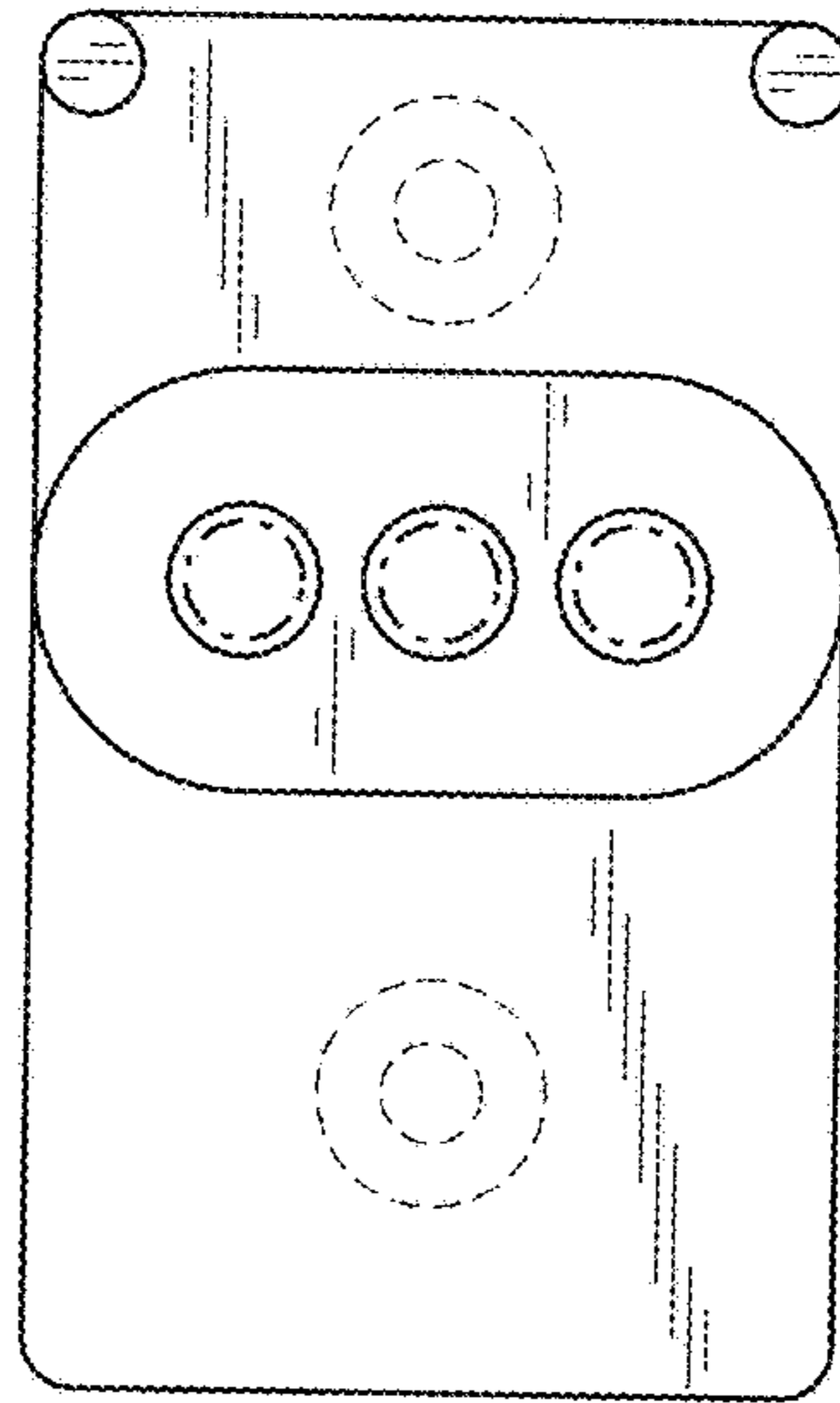


FIG. 3

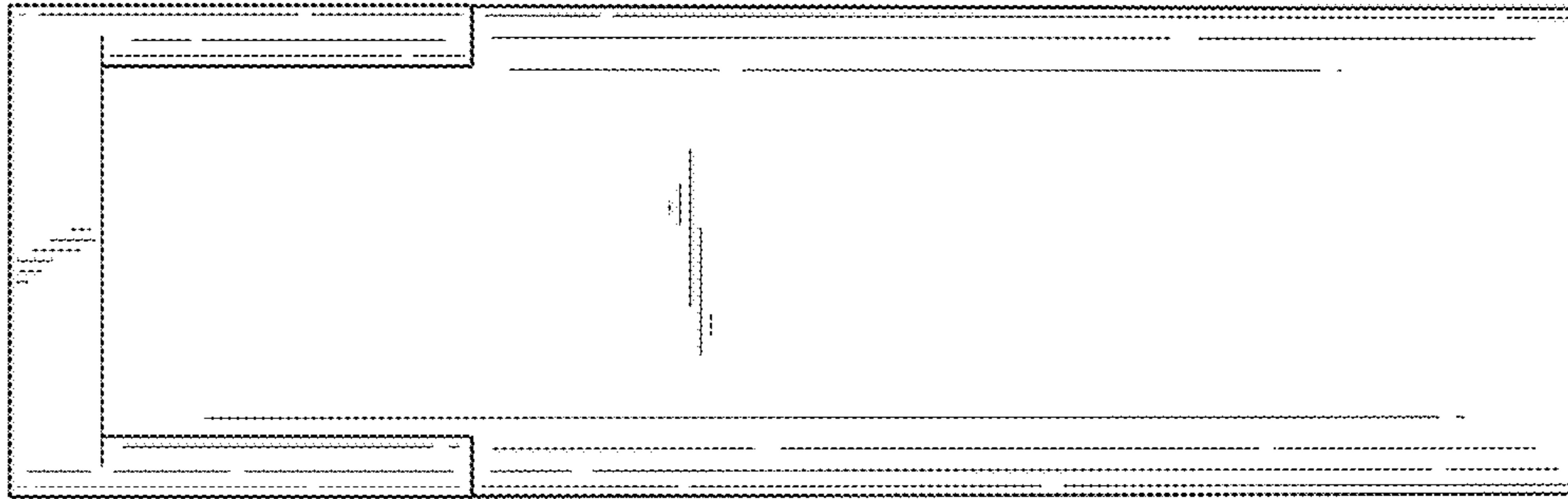


FIG. 4

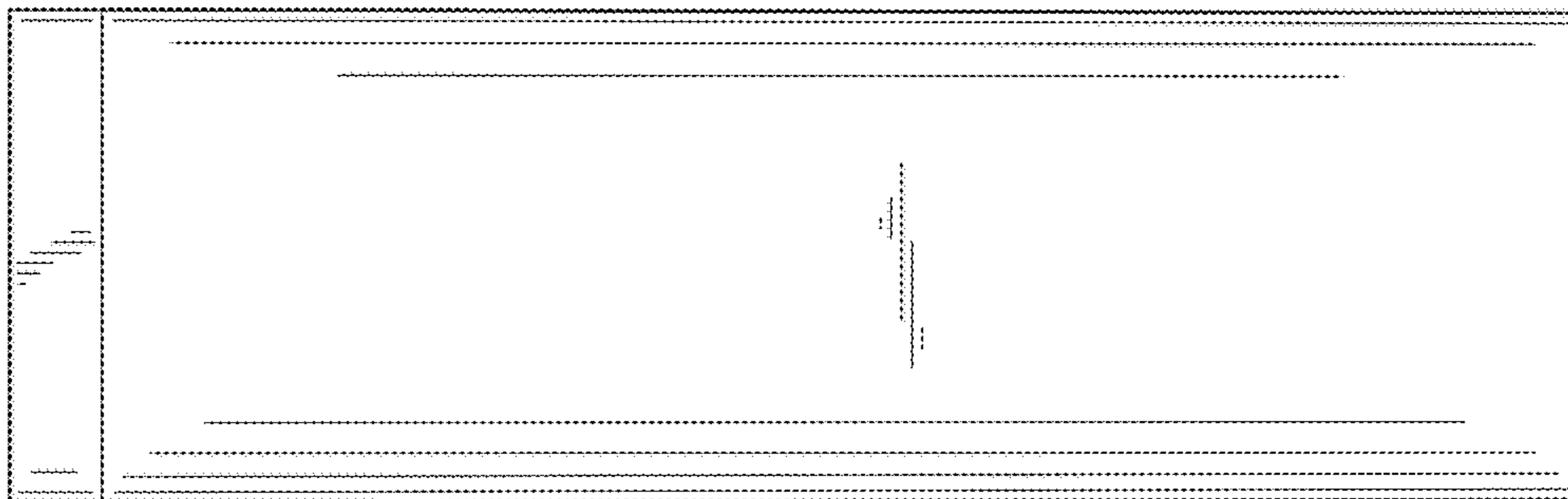


FIG. 5

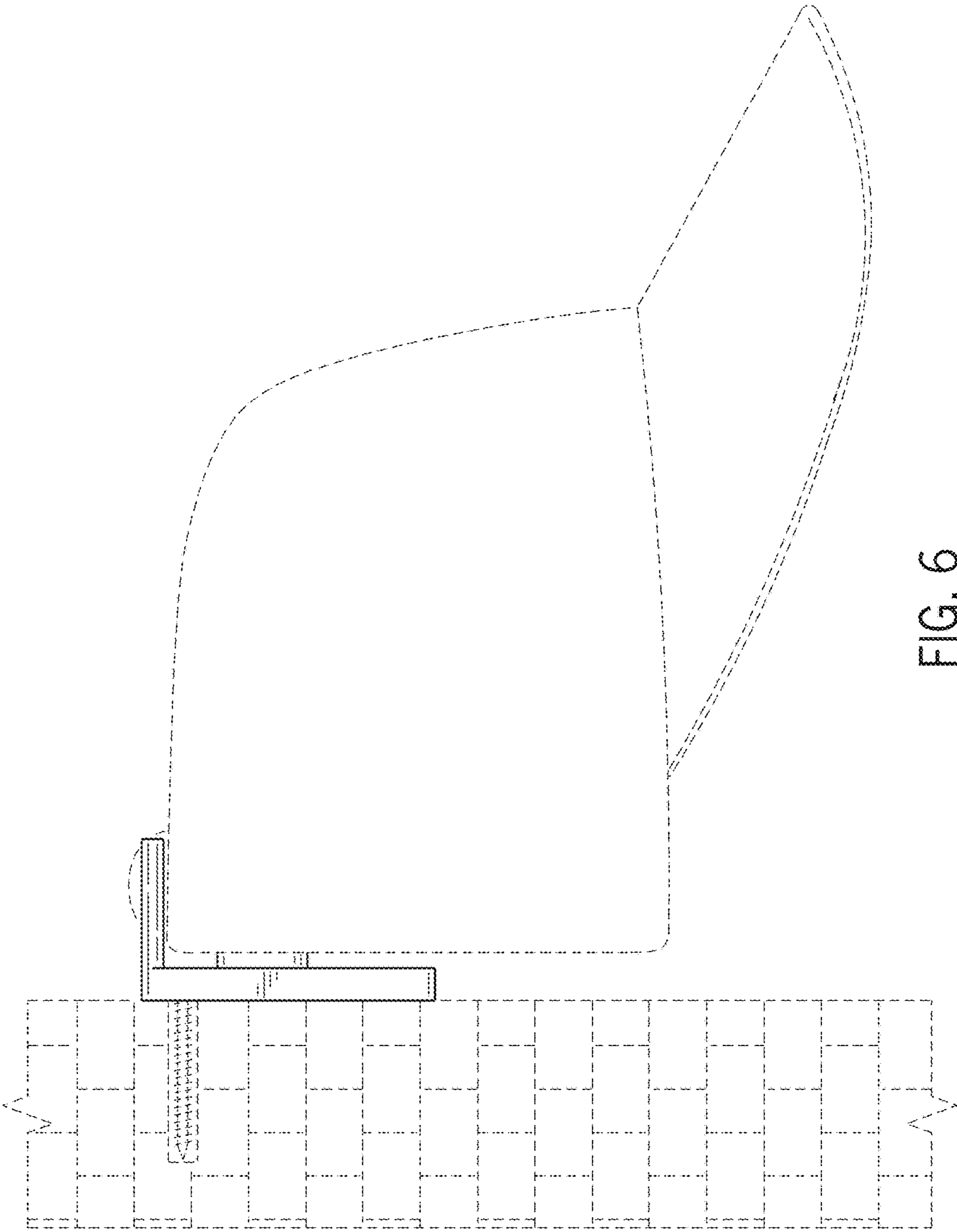


FIG. 6