



US00D858115S

(12) **United States Design Patent**
Rodriguez

(10) **Patent No.:** **US D858,115 S**
(45) **Date of Patent:** **** Sep. 3, 2019**

(54) **CLOSET HANGER**
(71) Applicant: **Juan Rodriguez**, Tierra Verde, FL (US)
(72) Inventor: **Juan Rodriguez**, Tierra Verde, FL (US)
(**) Term: **15 Years**
(21) Appl. No.: **29/635,872**
(22) Filed: **Feb. 3, 2018**
(51) **LOC (12) Cl.** **06-08**
(52) **U.S. Cl.**
USPC **D6/315; D6/328**
(58) **Field of Classification Search**
USPC D6/315–328, 546, 547, 550; D8/367,
D8/368
CPC Y10T 29/49826; Y10T 24/1498; Y10T
29/49947; Y10T 24/2708; Y10T 24/4544;
Y10T 70/5009; Y10T 428/24008; Y10T
24/44017; Y10T 29/53; Y10T 24/3449;
Y10T 24/39; Y10T 24/51; Y10T 24/3916;
Y10T 24/3987; A47F 5/0006; A47F
5/0892; A47F 5/13; A47F 7/12
See application file for complete search history.

D471,725 S * 3/2003 Bodine D6/315
D569,714 S * 5/2008 Stewart D8/367
D673,781 S * 1/2013 Clarke D6/317
D677,559 S * 3/2013 Taurins D8/356
2001/0042813 A1* 11/2001 Taylor A01G 9/128
248/75
2007/0125811 A1* 6/2007 Oliveira-Martinez
A47F 5/0006
223/85
2010/0000257 A1* 1/2010 Sweeney A44C 5/0007
63/7
2010/0006608 A1* 1/2010 Domb A47G 25/50
223/86
2012/0103029 A1* 5/2012 Darwin A47G 25/28
68/235 R
2012/0285913 A1* 11/2012 Taurins A47G 25/74
211/85.3

* cited by examiner

Primary Examiner — Lauren R Calve

(57) **CLAIM**

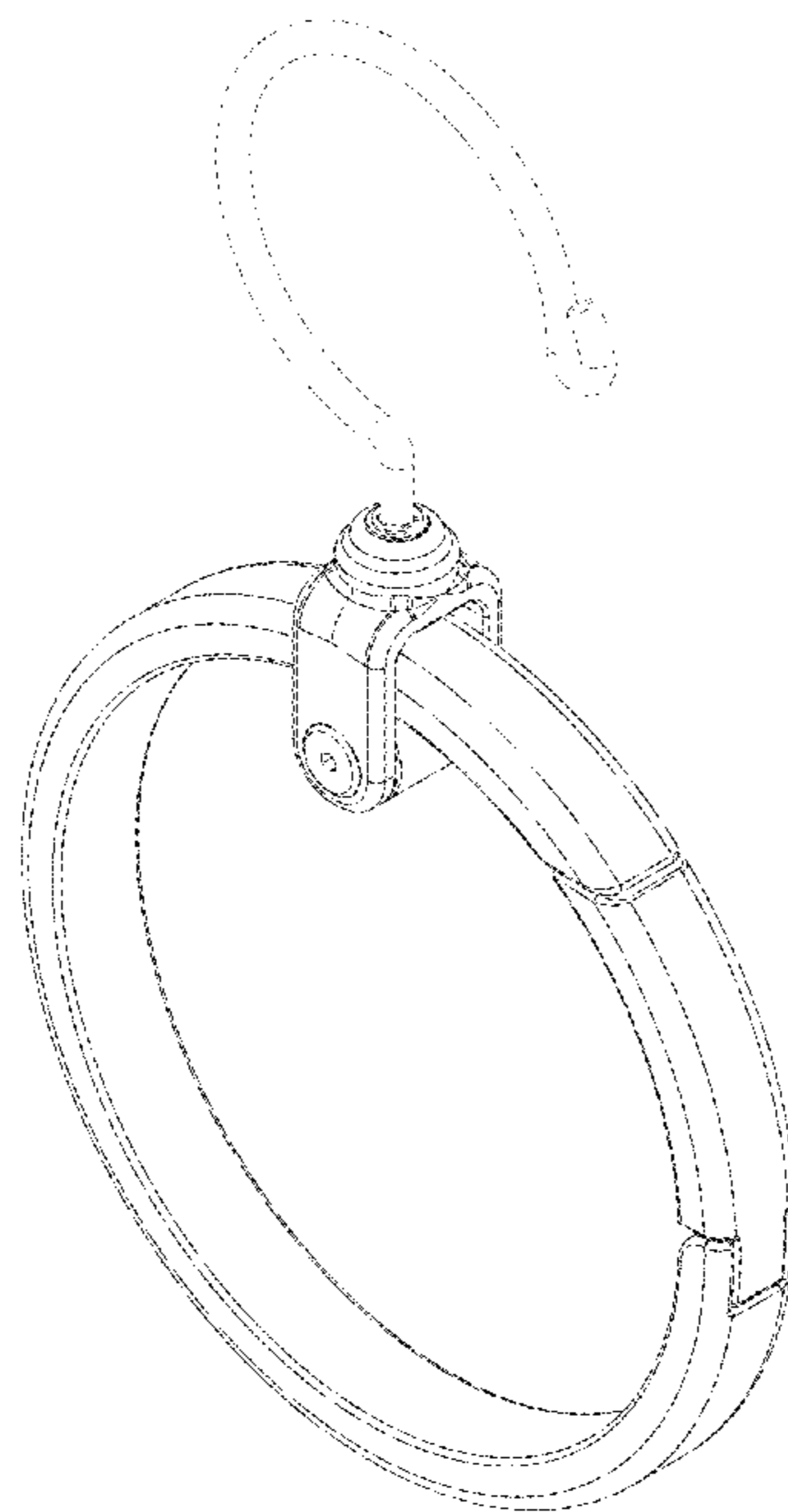
I claim the ornamental design for a closet hanger, as shown and described.

DESCRIPTION

FIG. 1 is a perspective view of a closet hanger;
FIG. 2 is a left-side elevation view thereof;
FIG. 3 is a right side elevation view thereof;
FIG. 4 is a back elevation view thereof;
FIG. 5 is a front elevation view thereof;
FIG. 6 is a bottom plan view thereof; and,
FIG. 7 is a top plan view thereof.
The broken line showing portions of the closet hanger are included for the purpose of illustrating environmental structure and form no part of the claimed design.

1 Claim, 5 Drawing Sheets

(56) **References Cited**
U.S. PATENT DOCUMENTS
2,499,188 A * 2/1950 Freeman A47G 25/32
211/113
5,330,244 A * 7/1994 Rodwell B60R 7/10
223/85
5,577,644 A * 11/1996 Chen A47G 25/005
223/85
6,478,168 B1 * 11/2002 McNamee A47F 7/12
211/115



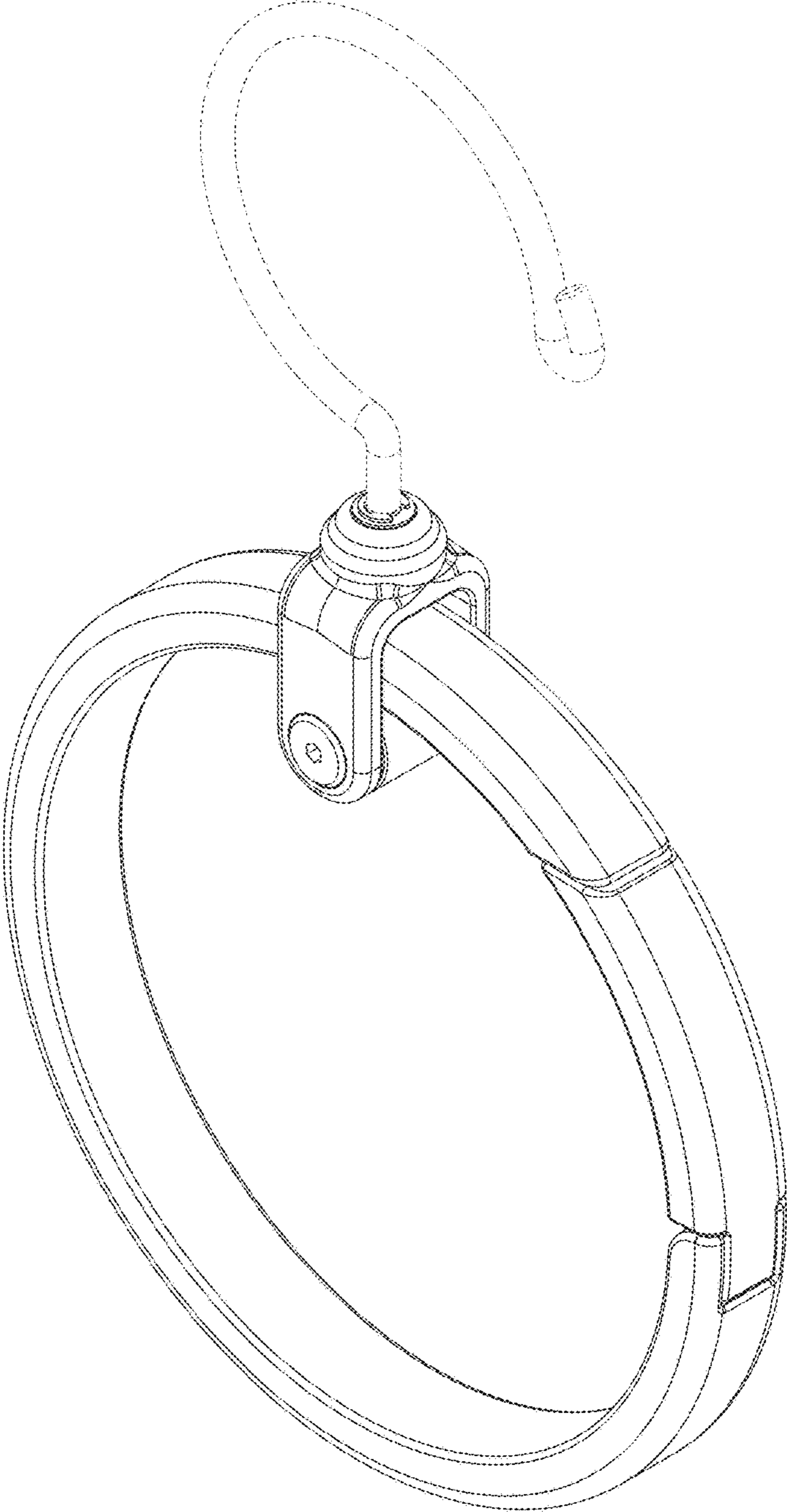


FIG. 1

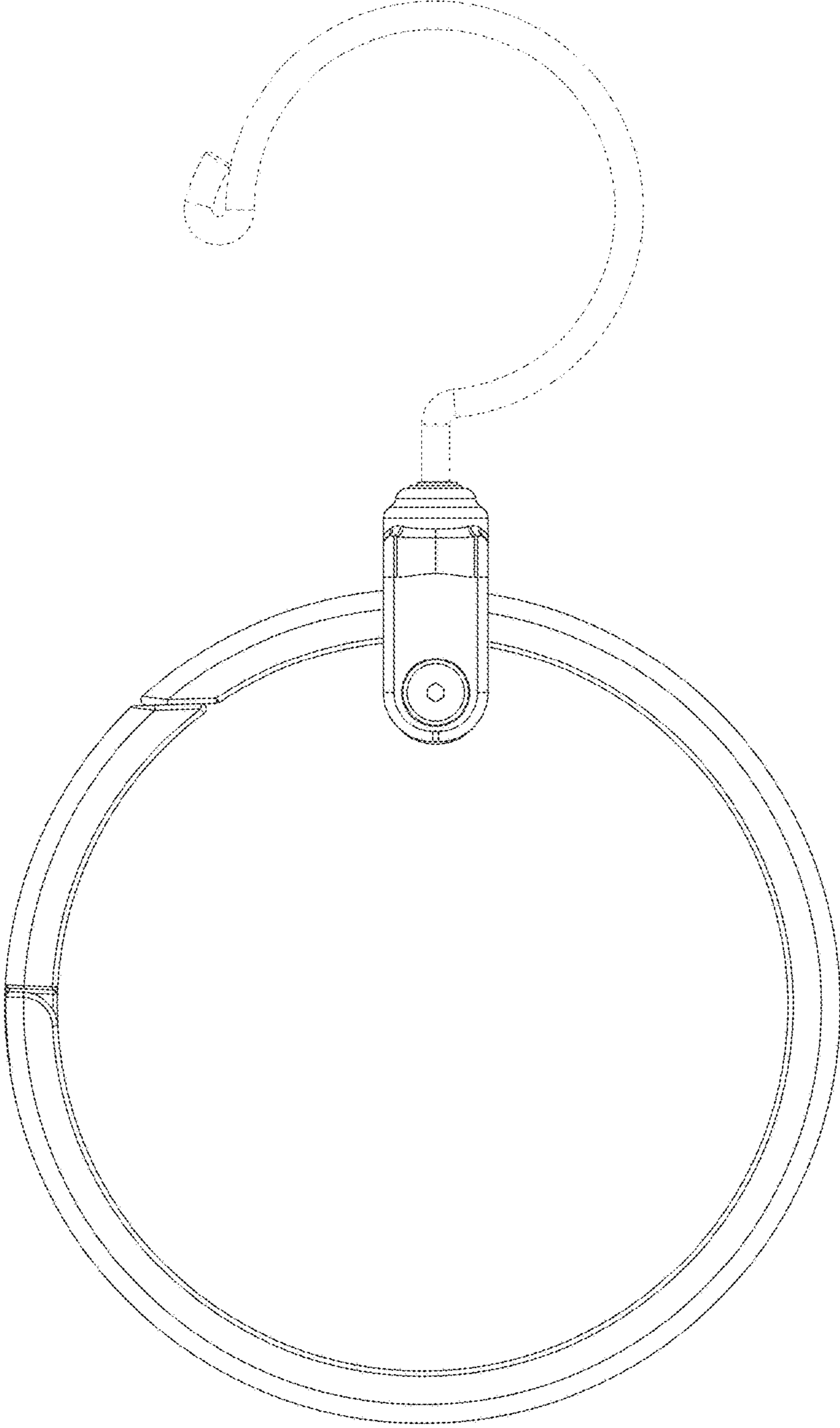


FIG. 2

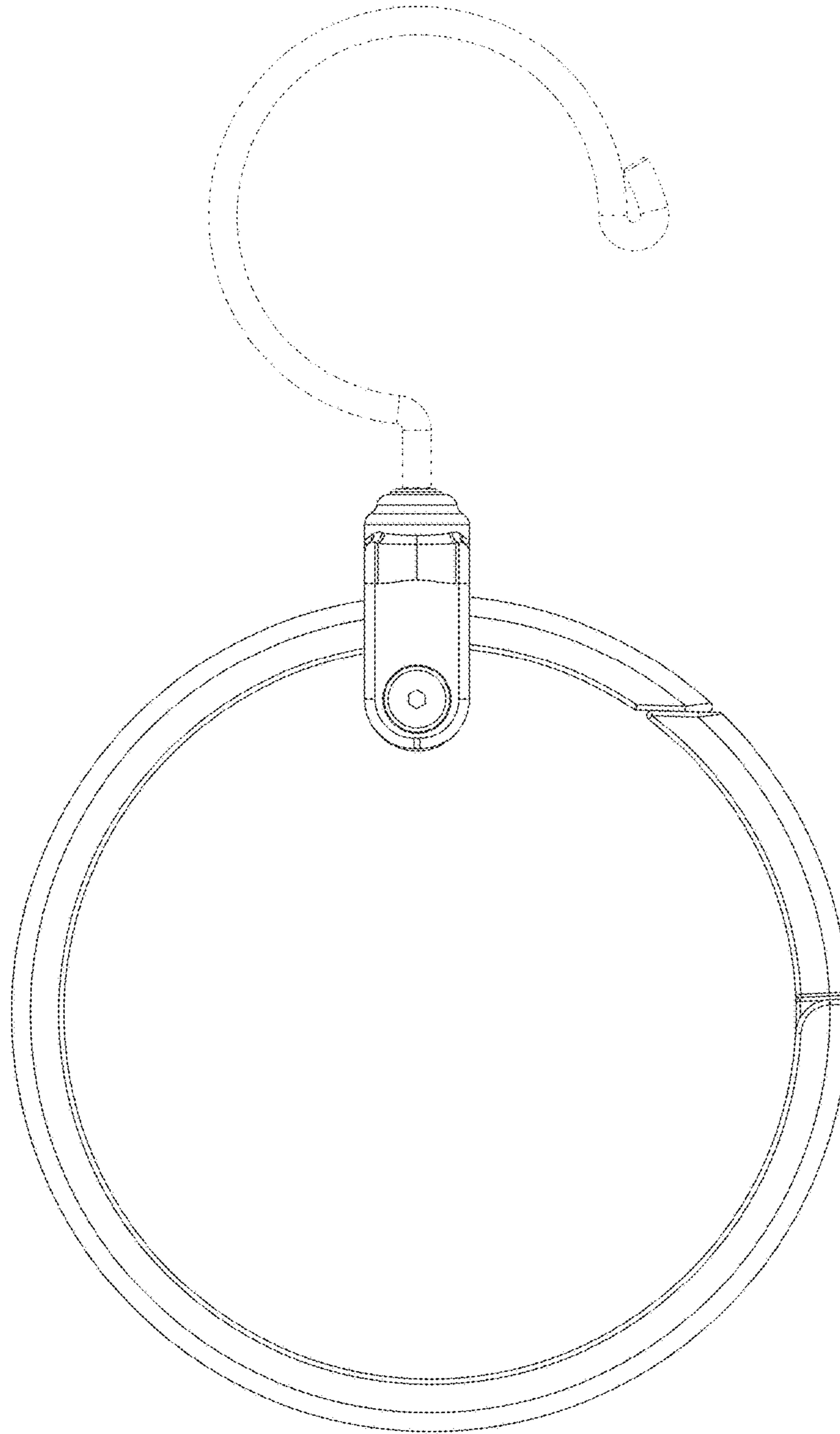


FIG. 3

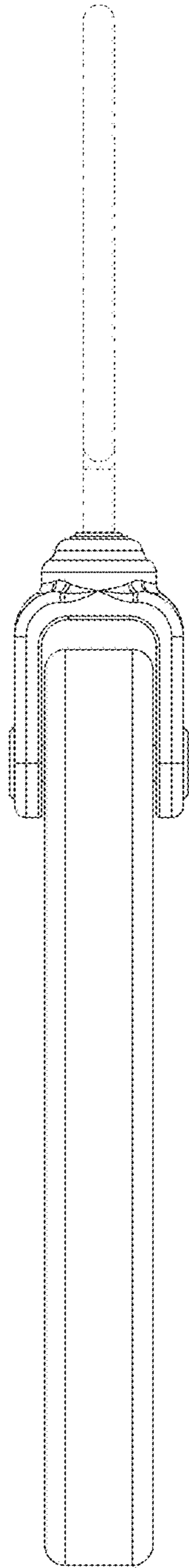


FIG. 4

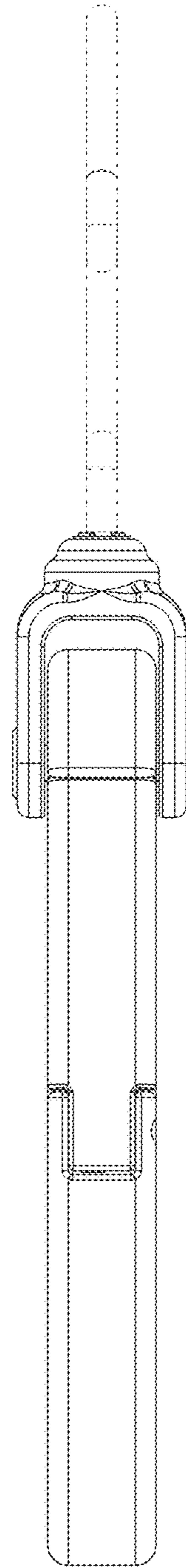


FIG. 5

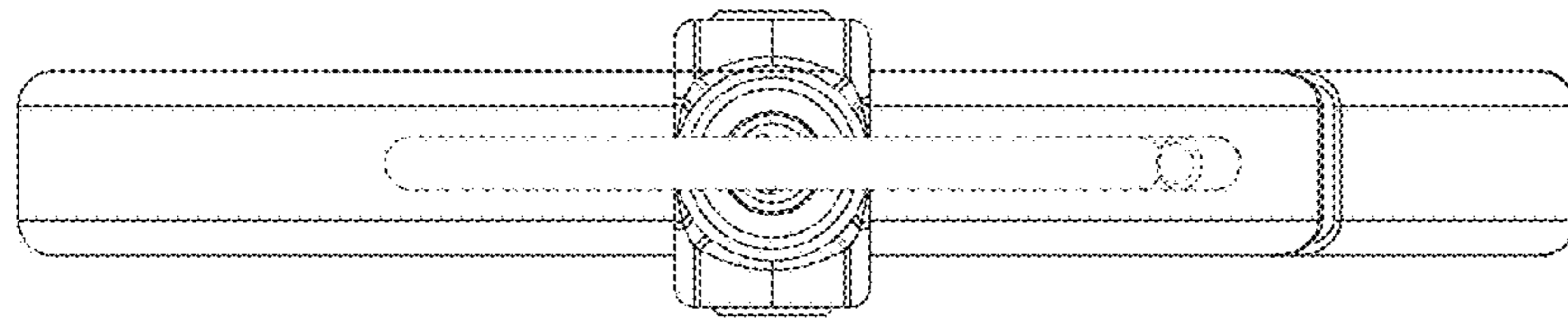


FIG. 7

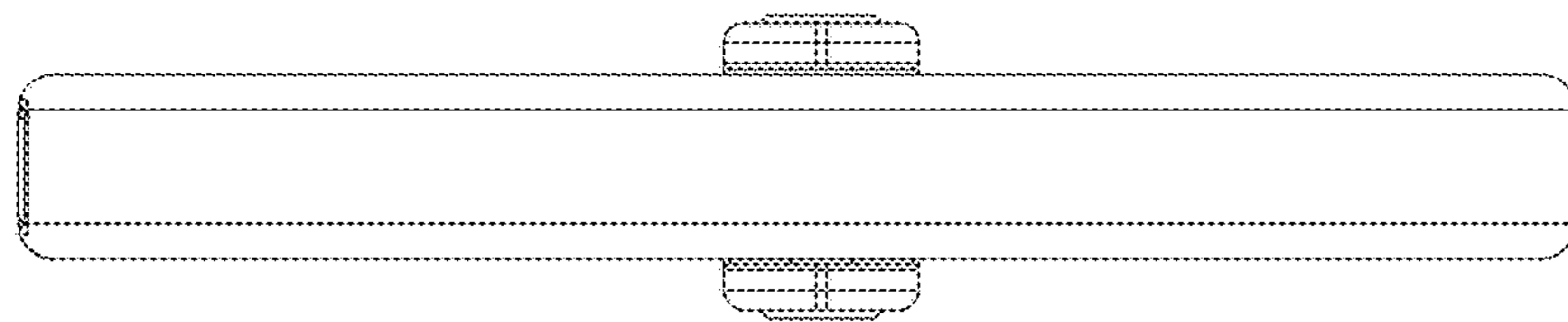


FIG. 6