



US00D858109S

(12) **United States Design Patent**
Crawford

(10) **Patent No.:** **US D858,109 S**

(45) **Date of Patent:** **** *Sep. 3, 2019**

(54) **CLEANING DEVICE**

(71) Applicant: **George Crawford**, Anniston, AL (US)

(72) Inventor: **George Crawford**, Anniston, AL (US)

(*) Notice: This patent is subject to a terminal disclaimer.

(**) Term: **15 Years**

(21) Appl. No.: **29/601,610**

(22) Filed: **Apr. 24, 2017**

(51) **LOC (12) Cl.** **04-01**

(52) **U.S. Cl.**
USPC **D4/119; D4/130; D4/136**

(58) **Field of Classification Search**
USPC D4/116, 117, 118, 119, 124, 199, 130;
D32/35, 40, 46
CPC A45D 24/14; A45D 24/16; A46B 3/005;
A46B 5/00; A46B 5/02; A46B 5/021;
A46B 9/02; A46B 9/021; A46B 9/023;
A46B 13/001; A46B 13/008; A46B
15/0055; A46B 15/0081; A46B 15/0087;
A46B 17/02; A46B 2200/30; A46B
2200/104; A46B 2200/106; A46B
2200/202; A46B 2200/205; A46B
2200/207; A46B 2200/304; A46B
2200/1006; A46B 2200/1046; A46B
2200/1053; A46B 2200/3006; A46B
2200/3033; A46B 2200/3093
See application file for complete search history.

(56) **References Cited**

U.S. PATENT DOCUMENTS

2,121,307 A 6/1938 Swift
2,237,761 A * 4/1941 Leano A47L 21/00
15/117
D146,481 S * 3/1947 Manheimer D19/77
3,982,357 A 9/1976 Eldridge et al.

D263,522 S * 3/1982 Obradovic D4/122
4,439,884 A 4/1984 Giomi
D290,447 S * 6/1987 Evans D11/131
D319,467 S * 8/1991 Clowes 401/34
D335,942 S * 5/1993 Furcron D32/32
D339,235 S * 9/1993 Hirzel D28/25
5,471,706 A 12/1995 Wallock et al.
D370,867 S * 6/1996 Phelps D11/131
D374,557 S * 10/1996 Whitaker D32/42
5,564,151 A 10/1996 Miller et al.
5,658,273 A 8/1997 Long
5,704,088 A 1/1998 Cerroni
5,809,604 A * 9/1998 Olstyn B25G 3/06
15/111
D417,550 S * 12/1999 Lu D32/42
D460,805 S * 7/2002 Balint D23/249
D502,323 S * 3/2005 Zemel D4/120
D514,817 S * 2/2006 Huang D32/35
D551,818 S * 9/2007 Rongotes D32/46
D622,468 S * 8/2010 Parker D32/42

(Continued)

Primary Examiner — Ian Simmons

Assistant Examiner — Karra S Johnson

(74) *Attorney, Agent, or Firm* — The Law Firm of Andrea Hence Evans, LLC

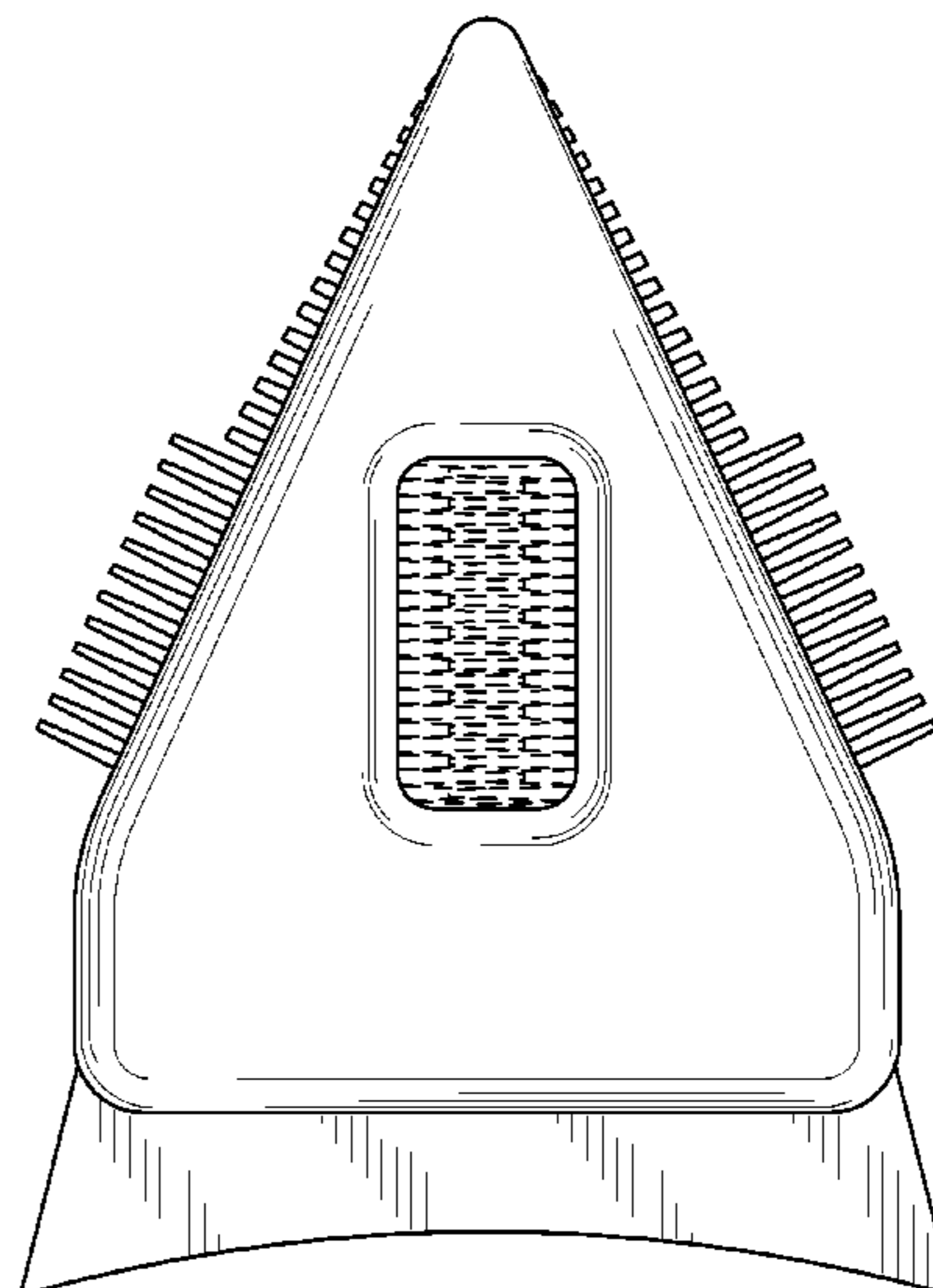
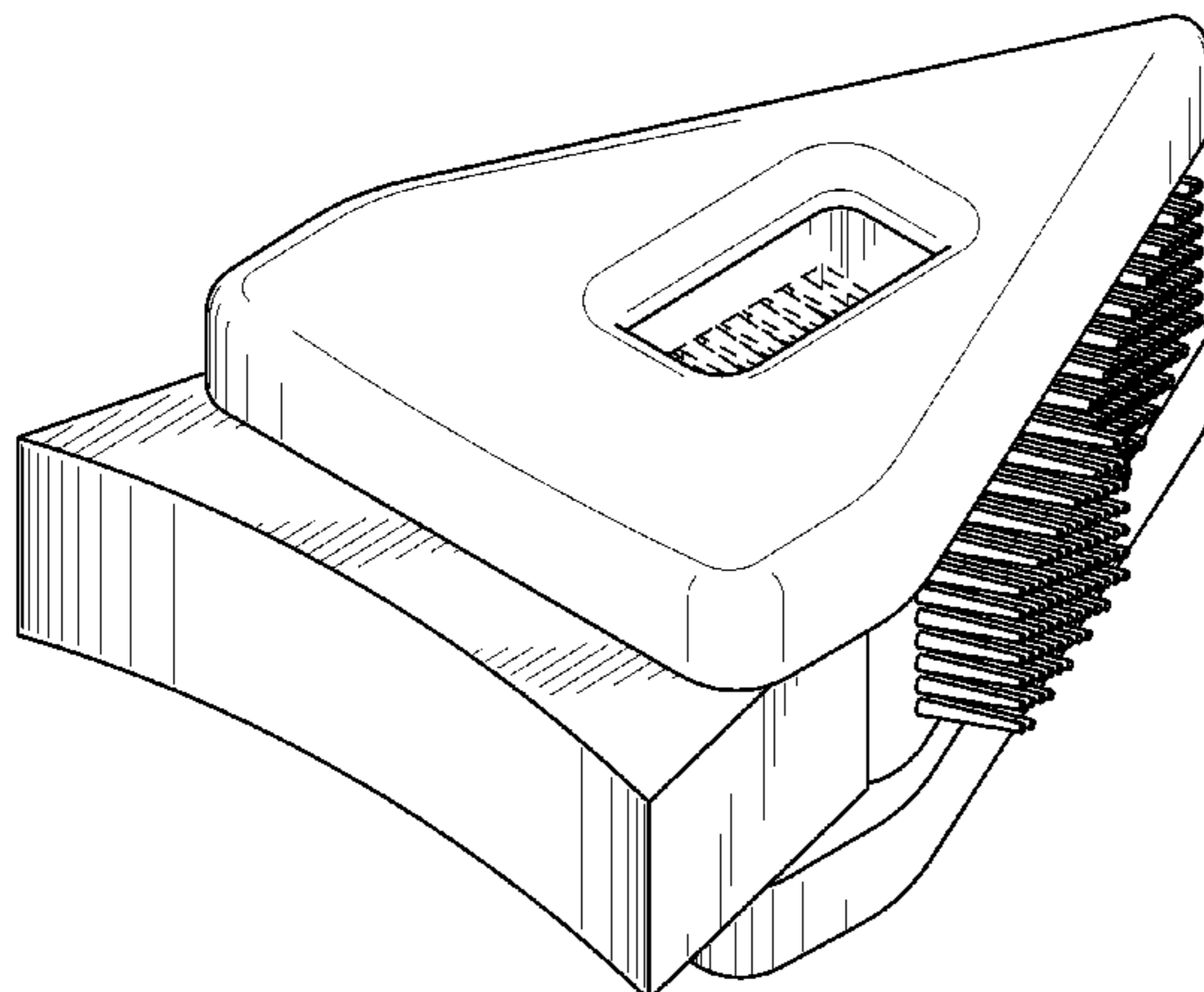
(57) **CLAIM**

The ornamental design for a cleaning device, as shown and described.

DESCRIPTION

FIG. 1 is an isometric view of the cleaning device;
FIG. 2 is a front view thereof;
FIG. 3 is a rear view thereof;
FIG. 4 is a left side view thereof, the right side view being a mirror image; and,
FIG. 5 is a top view thereof, the bottom view being a mirror image;
The broken lines shown are included for the purpose of illustrating portions of the cleaning device that form no part of the claim.

1 Claim, 4 Drawing Sheets



(56)

References Cited

U.S. PATENT DOCUMENTS

D624,717 S * 9/2010 Roschi D32/32
D653,722 S * 2/2012 Morris, Jr. D21/796
D691,772 S 10/2013 Blaisdell et al.
8,919,713 B2 * 12/2014 Reusser E06C 7/143
248/110
D744,758 S * 12/2015 Albers D28/55
2003/0196289 A1 10/2003 Schwab
2006/0140705 A1 * 6/2006 Kronenberger B43K 1/08
401/209
2006/0266160 A1 * 11/2006 Yeh B67B 7/16
81/3.4
2009/0145451 A1 * 6/2009 Burgess A45D 29/04
132/75.6
2017/0008039 A1 * 1/2017 Weinberger B08B 1/005
2017/0231358 A1 * 8/2017 Jeong A45D 20/122
132/271

* cited by examiner

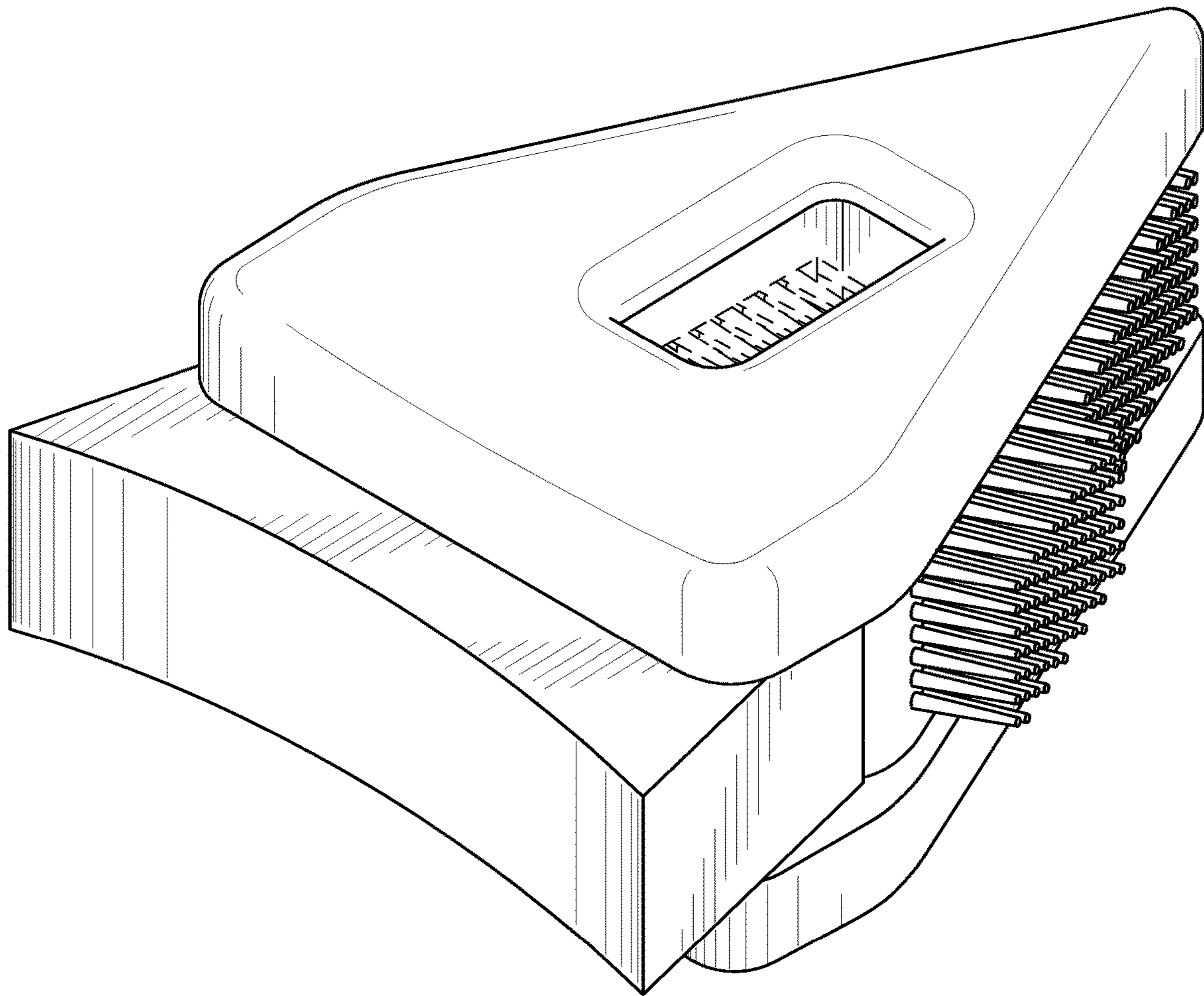


FIG.1

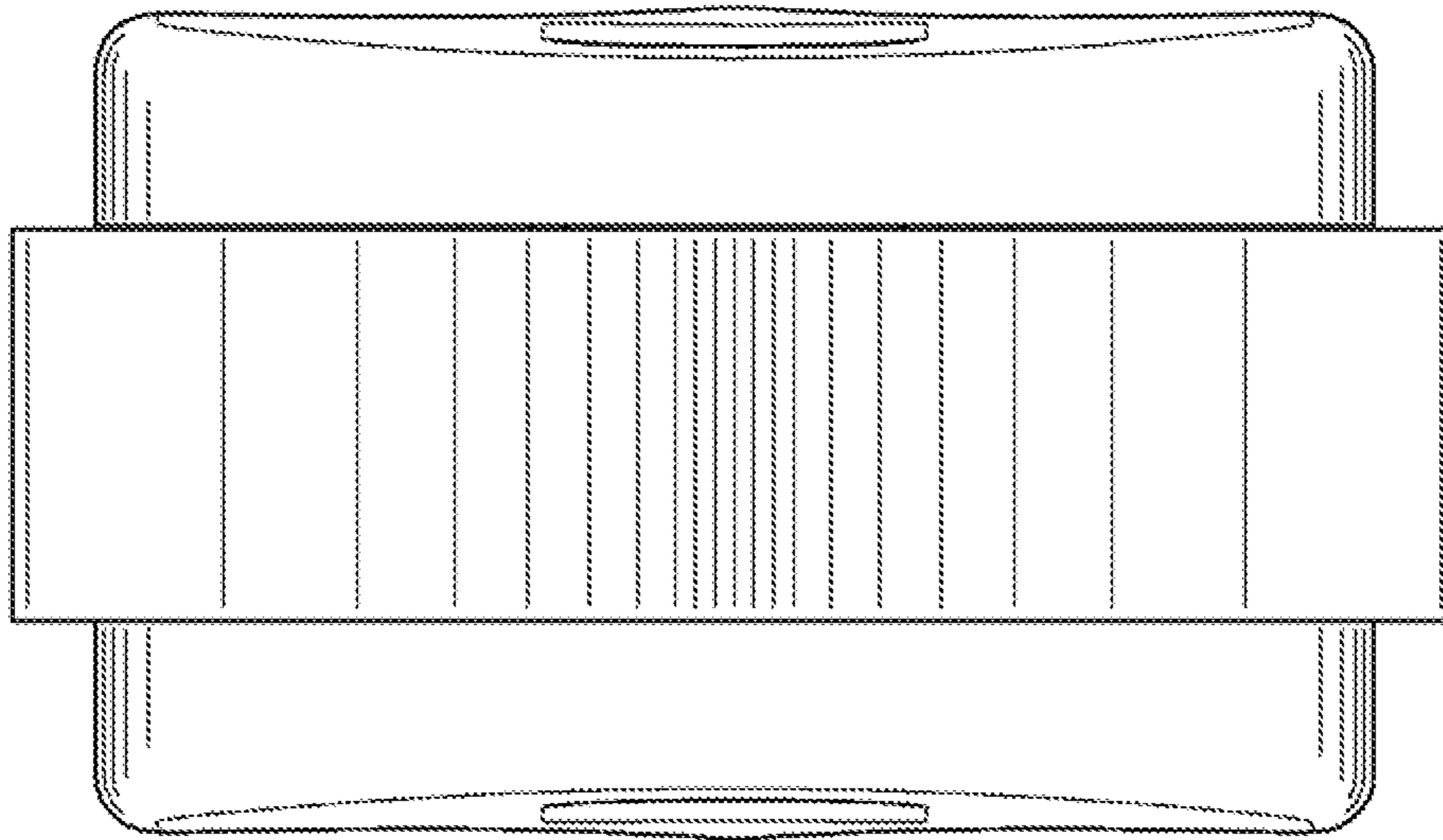


FIG. 2

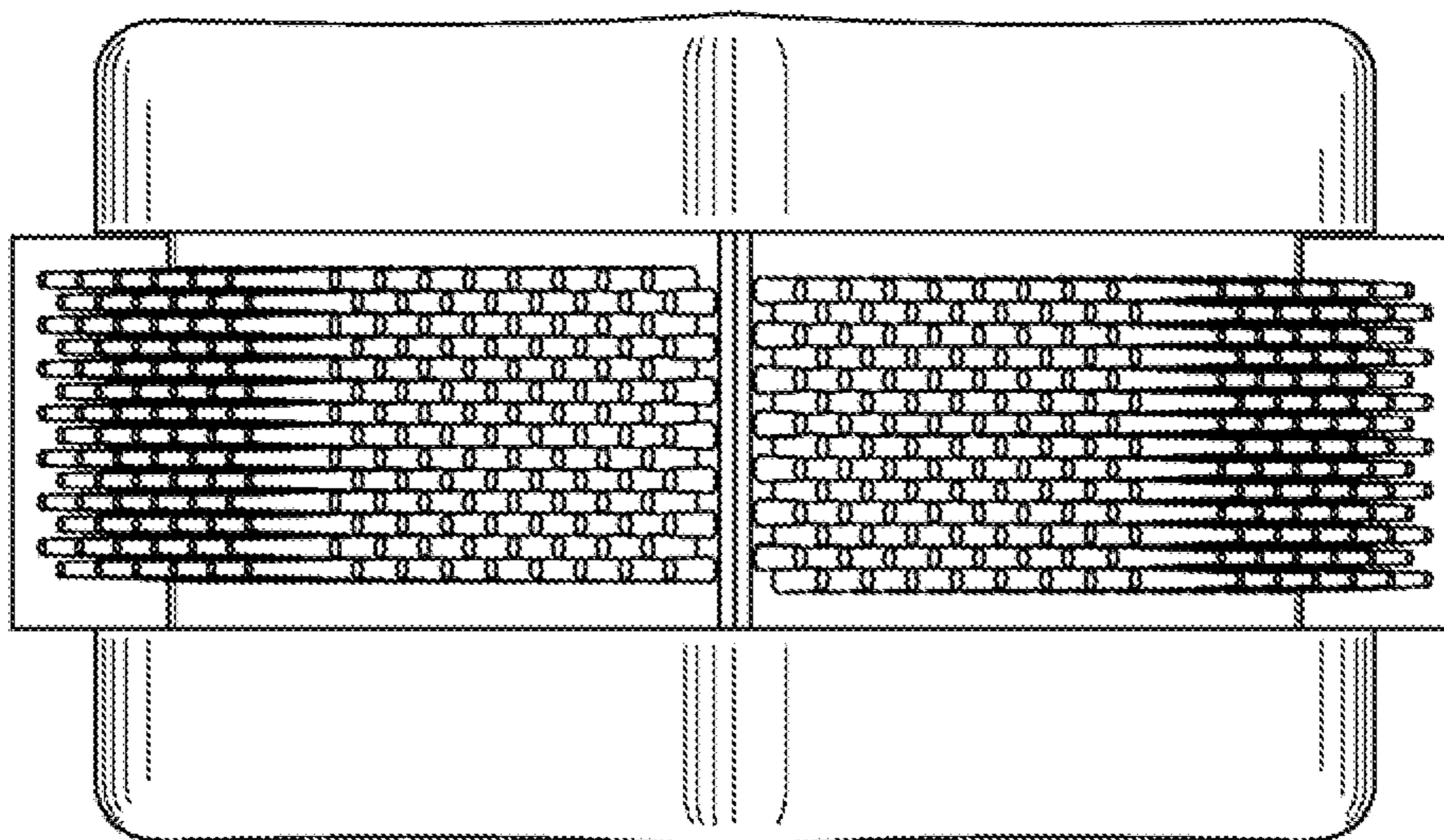


FIG. 3

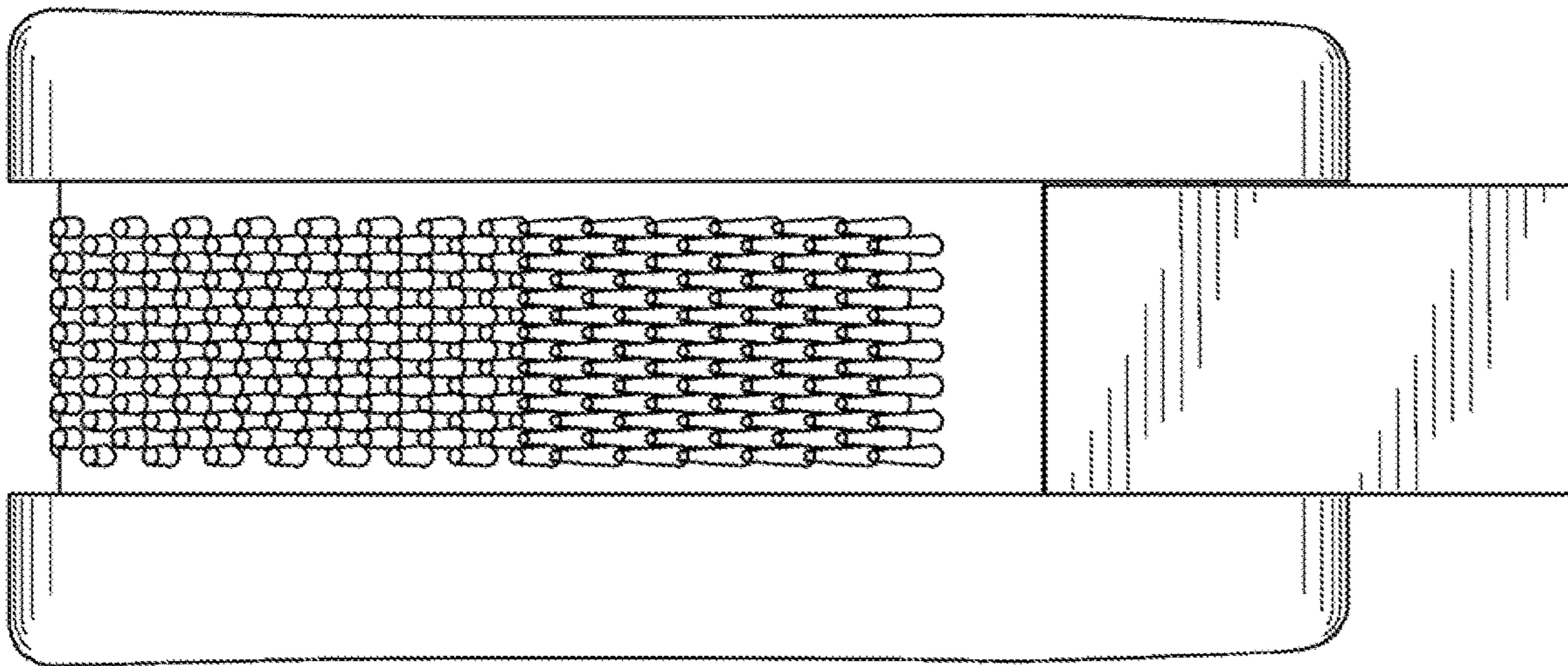


FIG. 4

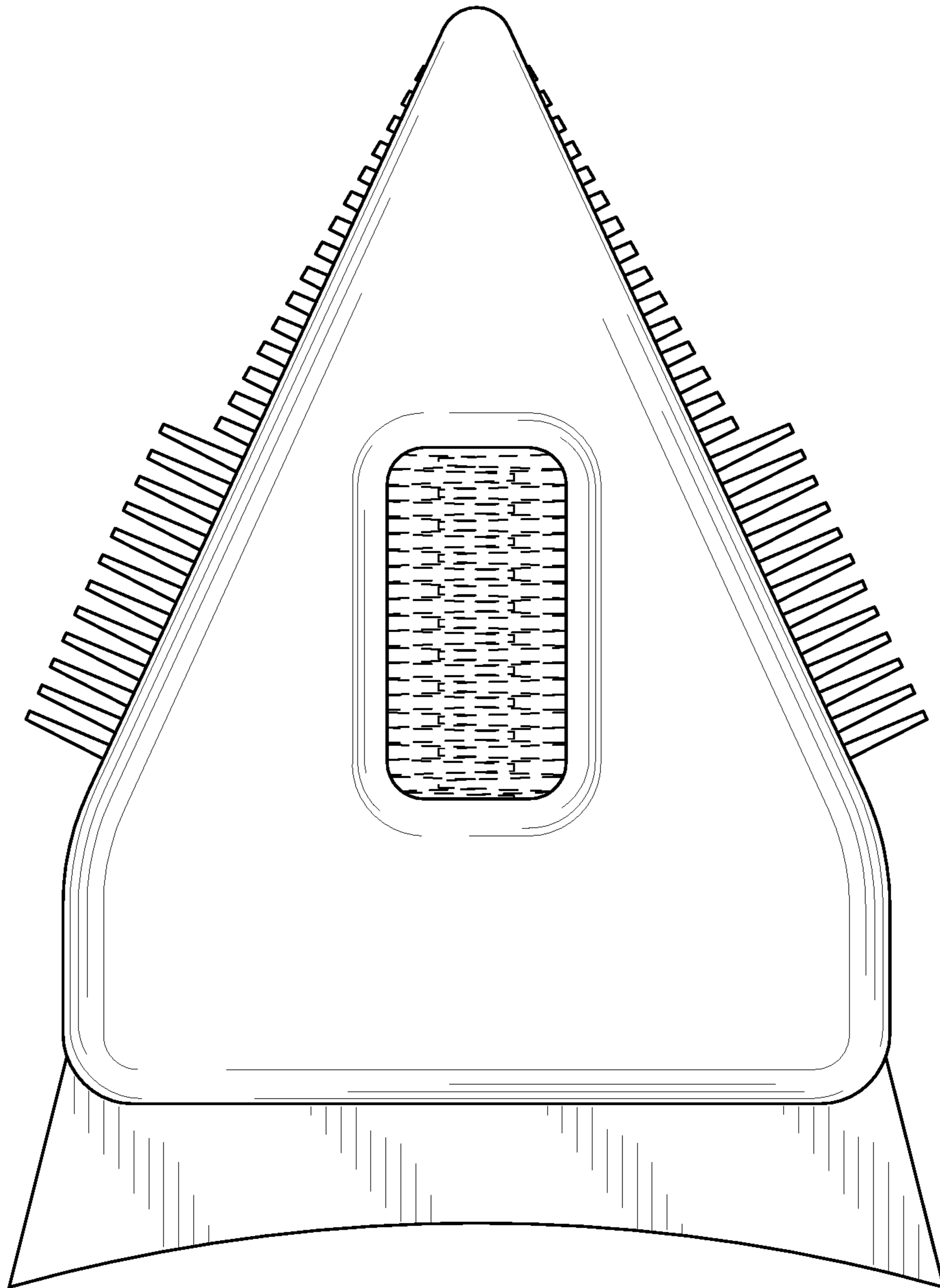


FIG.5