



US00D858105S

(12) **United States Design Patent**
Okai et al.

(10) **Patent No.:** **US D858,105 S**
(45) **Date of Patent:** **** Sep. 3, 2019**

(54) **ORAL CARE IMPLEMENT**
(71) Applicant: **Colgate-Palmolive Company**, New York, NY (US)
(72) Inventors: **Takahide Okai**, Highland Park, NJ (US); **GuanMin Sun**, XiaMen (CN)
(73) Assignee: **Colgate-Palmolive Company**, New York, NY (US)

5,987,681 A 11/1999 Hahn et al.
6,090,488 A 7/2000 Kweon et al.
6,464,920 B1 10/2002 Kraemer et al.
6,599,048 B2 7/2003 Kuo
D479,046 S * 9/2003 Winkler D4/101
(Continued)

(**) Term: **15 Years**

(21) Appl. No.: **29/626,450**

(22) Filed: **Nov. 17, 2017**

(51) **LOC (12) Cl.** **04-02**

(52) **U.S. Cl.**
USPC **D4/101**

(58) **Field of Classification Search**
USPC D4/100, 101, 102, 104, 105, 108, 110, D4/111; D24/107, 108, 133, 152, 176; 15/167.1
CPC A46B 15/00; A46B 15/047; A46B 15/048; A46B 15/0071; A46B 5/00; A46B 5/02; A46B 5/21; A46B 5/023; A46B 5/026; A46B 5/028; A46B 5/0016; A46B 5/0095; A46B 2200/10; A46B 2200/108; A46B 2200/1066; A46B 2200/1073; A46B 2200/1086; A46B 9/04; A46B 9/10; A46B 9/045; A61C 17/16; A61C 17/22; A61C 17/26; A61C 17/225; A61C 3/00

See application file for complete search history.

(56) **References Cited**

U.S. PATENT DOCUMENTS

4,989,287 A 2/1991 Scherer
5,054,154 A 10/1991 Schiffer et al.
D361,433 S * 8/1995 Yang D4/101
5,697,117 A 12/1997 Craft
5,974,615 A 11/1999 Schwarz-Hartmann et al.

FOREIGN PATENT DOCUMENTS

CN 100364472 1/2008
CN 303857368 6/2016

(Continued)

Primary Examiner — Wan Laymon
Assistant Examiner — Clint A Samuel

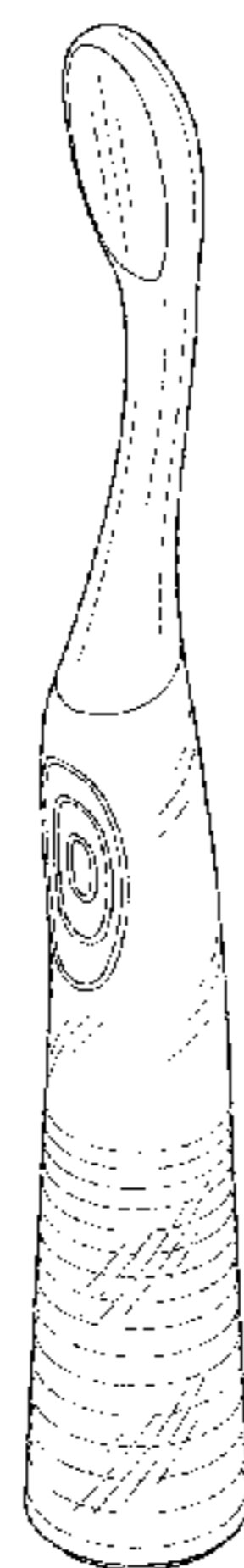
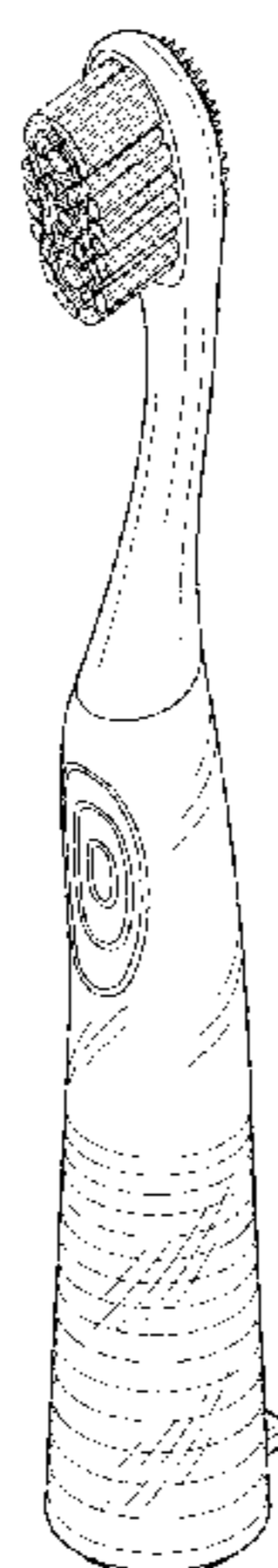
(57) **CLAIM**

The ornamental design for an oral care implement, as shown and described.

DESCRIPTION

FIG. 1 is a front right perspective view of an oral care implement according to a first embodiment of the new design;
FIG. 2 is a front view thereof;
FIG. 3 is a rear view thereof;
FIG. 4 is a right side view thereof;
FIG. 5 is a left side view thereof;
FIG. 6 is an enlarged top view thereof;
FIG. 7 is an enlarged bottom view thereof;
FIG. 8 is a front right perspective view of an oral care implement according to a second embodiment of the new design;
FIG. 9 is a front view thereof;
FIG. 10 is a rear view thereof;
FIG. 11 is a right side view thereof;
FIG. 12 is a left side view thereof;
FIG. 13 is an enlarged top view thereof; and,
FIG. 14 is an enlarged bottom view thereof.
The broken lines in the drawings illustrate portions of the article that form no part of the claimed design.

1 Claim, 8 Drawing Sheets



(56)

References Cited

U.S. PATENT DOCUMENTS

6,764,142 B2 7/2004 Kwon
 6,802,097 B2 10/2004 Haefliger et al.
 6,821,119 B2 11/2004 Shortt et al.
 6,836,917 B2 1/2005 Blaustein et al.
 6,895,625 B2 5/2005 Lev et al.
 6,920,659 B2 7/2005 Cacka et al.
 6,968,590 B2 11/2005 Ponzini
 D534,725 S * 1/2007 Vu D4/101
 7,162,764 B2 1/2007 Drossler et al.
 7,240,390 B2 7/2007 Pfenniger et al.
 7,419,225 B2 9/2008 Fischer et al.
 7,636,976 B2 12/2009 Banning
 7,761,947 B2 7/2010 Blaustein et al.
 7,765,629 B2 8/2010 Kressner
 7,845,041 B2 12/2010 Gatezemeyer et al.
 7,975,344 B2 7/2011 Braun et al.
 8,060,970 B2 11/2011 Solanki
 8,089,227 B2 1/2012 Baertschi et al.
 8,172,337 B2 5/2012 Kwon et al.
 8,209,808 B2 7/2012 Kressner
 8,288,970 B2 10/2012 Miller et al.
 8,333,436 B2 12/2012 Kwon et al.
 8,418,300 B2 4/2013 Miller et al.
 8,499,851 B2 8/2013 Hata
 8,512,611 B2 8/2013 Kang et al.
 8,544,132 B2 10/2013 Gatzemeyer et al.
 8,584,299 B2 11/2013 Chan et al.
 8,590,092 B2 11/2013 Dickie
 8,595,881 B2 12/2013 Fritsch
 8,601,628 B2 12/2013 Barman
 8,656,548 B2 2/2014 Jungnickel et al.
 D701,388 S * 3/2014 Chuanzhou D4/101
 8,671,492 B2 3/2014 Kressner
 8,671,493 B2 * 3/2014 Hilscher A61C 17/22
 15/22.1
 8,695,143 B2 4/2014 Kloster
 8,701,235 B2 4/2014 Kressner
 8,793,829 B2 8/2014 Shimoyama et al.
 8,806,691 B2 8/2014 Iwahori et al.
 8,863,344 B2 10/2014 Kloster
 D719,737 S * 12/2014 Adriaenssen D4/101
 8,938,839 B2 1/2015 Kitigawa et al.
 9,009,902 B2 4/2015 Kitigawa et al.
 9,084,659 B2 7/2015 Bovenkamp
 9,204,948 B2 12/2015 Kloster
 D752,868 S * 4/2016 McGarry D4/101
 D766,581 S * 9/2016 Bloch D4/101
 D767,895 S * 10/2016 Stebila D4/101
 D777,444 S * 1/2017 Sedic D4/101
 9,561,092 B2 2/2017 Sauer et al.
 D780,456 S 3/2017 Shigeno et al.
 9,655,435 B2 5/2017 Kraemer et al.
 D788,469 S * 6/2017 McGarry D4/101
 D791,485 S * 7/2017 McGarry D4/101
 D795,590 S * 8/2017 Sedic D4/101
 D811,094 S * 2/2018 Sedic D4/111
 D814,195 S * 4/2018 Sikora D4/102
 D817,000 S * 5/2018 Sedic D4/101
 D817,001 S * 5/2018 Sedic D4/101
 D819,337 S * 6/2018 Yuan D4/101
 D819,973 S * 6/2018 Greve D4/101
 D819,974 S * 6/2018 Johansson D4/101
 D820,599 S * 6/2018 Park D4/101
 D824,677 S * 8/2018 Tseng D4/101
 2002/0120991 A1 9/2002 Cacka et al.

2002/0129454 A1 9/2002 Hilscher et al.
 2008/0216258 A1 9/2008 Kressner et al.
 2009/0013489 A1 1/2009 Binet et al.
 2009/0083924 A1 * 4/2009 Shepherd A46B 5/0095
 15/105
 2010/0043156 A1 2/2010 Kressner
 2010/0106336 A1 4/2010 Hwang et al.
 2010/0170051 A1 7/2010 Kressner
 2010/0223746 A1 9/2010 Mueller
 2010/0251493 A1 10/2010 Sale et al.
 2010/0313371 A1 12/2010 Kaczmarek
 2013/0247311 A1 * 9/2013 Dickie A46B 5/0062
 15/22.1
 2014/0076633 A1 3/2014 Terracina et al.
 2014/0115801 A1 5/2014 Haynes et al.
 2014/0173838 A1 * 6/2014 Dickie A46B 9/04
 15/22.1
 2014/0304932 A1 * 10/2014 Patel A46B 15/0087
 15/167.1
 2014/0310900 A1 * 10/2014 Curry A46B 9/04
 15/167.1
 2015/0020324 A1 * 1/2015 Schaefer A61C 17/222
 15/22.1
 2015/0113747 A1 4/2015 May et al.
 2015/0044629 A1 5/2015 Wang et al.
 2015/0164625 A1 6/2015 Kressner
 2015/0173502 A1 * 6/2015 Sedic A46B 9/04
 15/22.1
 2015/0230598 A1 8/2015 Bresselschmidt et al.
 2015/0335145 A1 11/2015 Bloch et al.
 2015/0335411 A1 * 11/2015 Dickie A46B 9/04
 15/22.1
 2016/0000542 A1 * 1/2016 Yoshida A61C 17/222
 15/22.1
 2016/0081465 A1 3/2016 Metter
 2016/0143718 A1 5/2016 Serval et al.
 2017/0128179 A1 * 5/2017 Sedic A46B 9/04
 2017/0151044 A1 6/2017 Okai
 2017/0156835 A1 * 6/2017 Schaefer A61C 17/222
 2017/0188836 A1 7/2017 Xi et al.
 2017/0273769 A1 9/2017 Dengler et al.
 2018/0008388 A1 * 1/2018 Lee A46B 13/023
 2018/0020819 A1 * 1/2018 Steckling A46B 15/0008
 15/167.1
 2018/0021116 A1 * 1/2018 Storkel A61C 17/222
 15/167.1
 2018/0140404 A1 * 5/2018 Schaefer A61C 17/22
 2018/0168332 A1 * 6/2018 Wagner F21V 11/00

FOREIGN PATENT DOCUMENTS

CN 304124146 5/2017
 CN 304276474 9/2017
 EM 002012328-0002 3/2012
 EM 001333496-0001 6/2012
 EM 002218651-0001 4/2013
 EM 002218651-0002 4/2013
 WO WO200132053 5/2001
 WO WO2006062187 6/2006
 WO WO2008053441 5/2008
 WO WO2010119688 10/2010
 WO WO2010142098 12/2010
 WO WO2013001462 3/2013
 WO WO2016174251 11/2016
 WO WO2017029469 2/2017

* cited by examiner

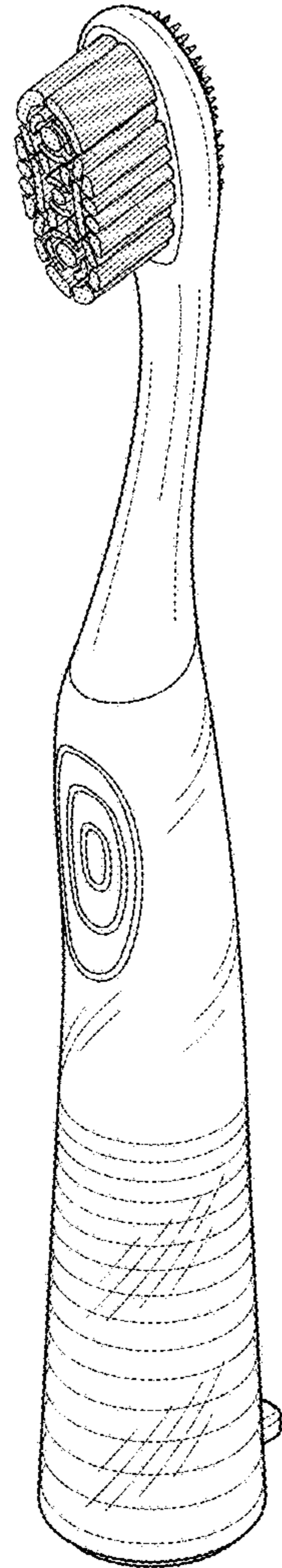


FIG. 1

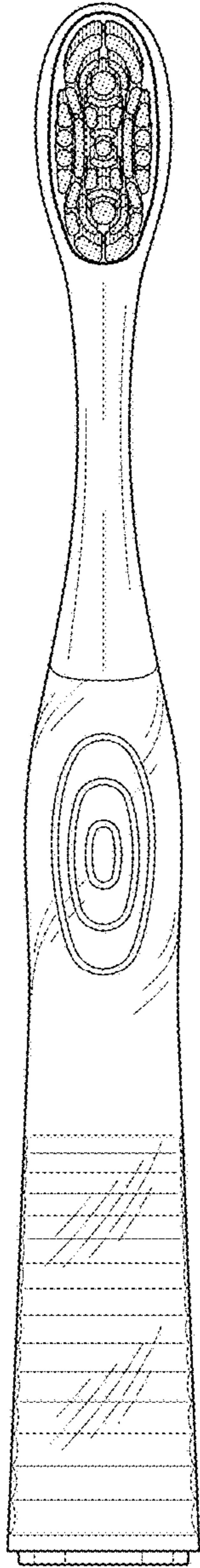


FIG. 2

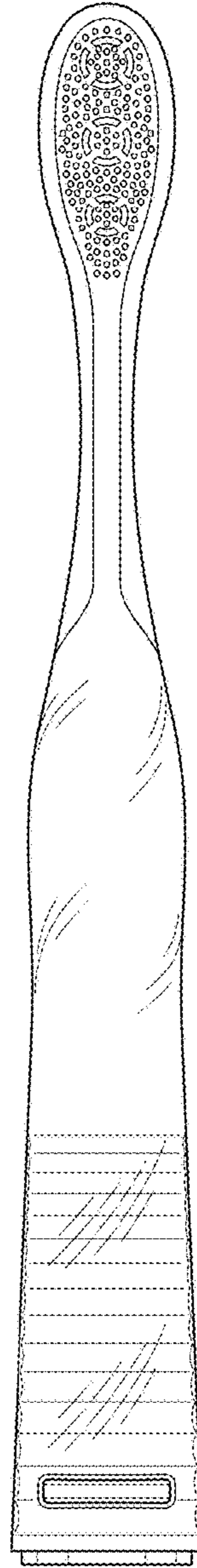


FIG. 3

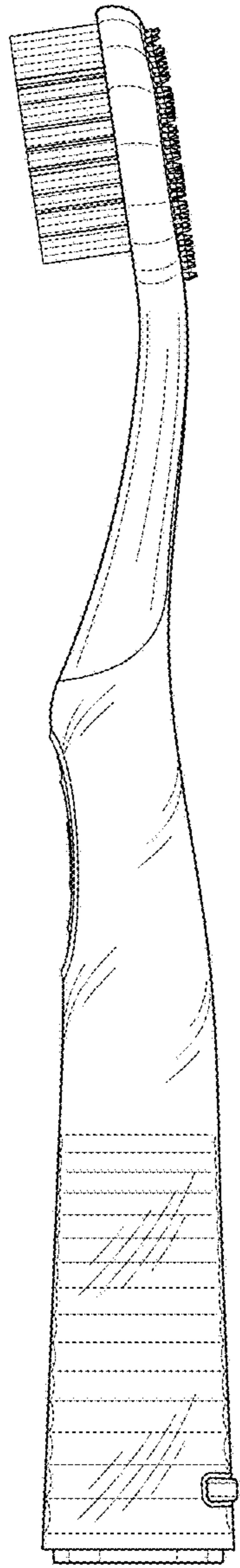


FIG. 4

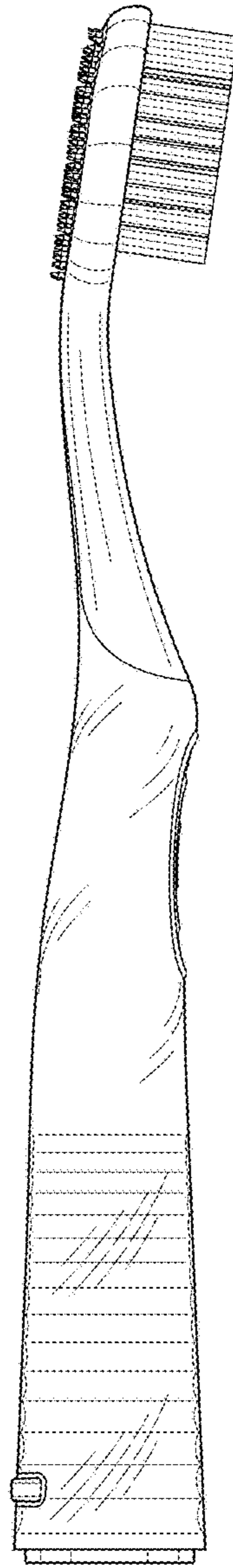


FIG. 5

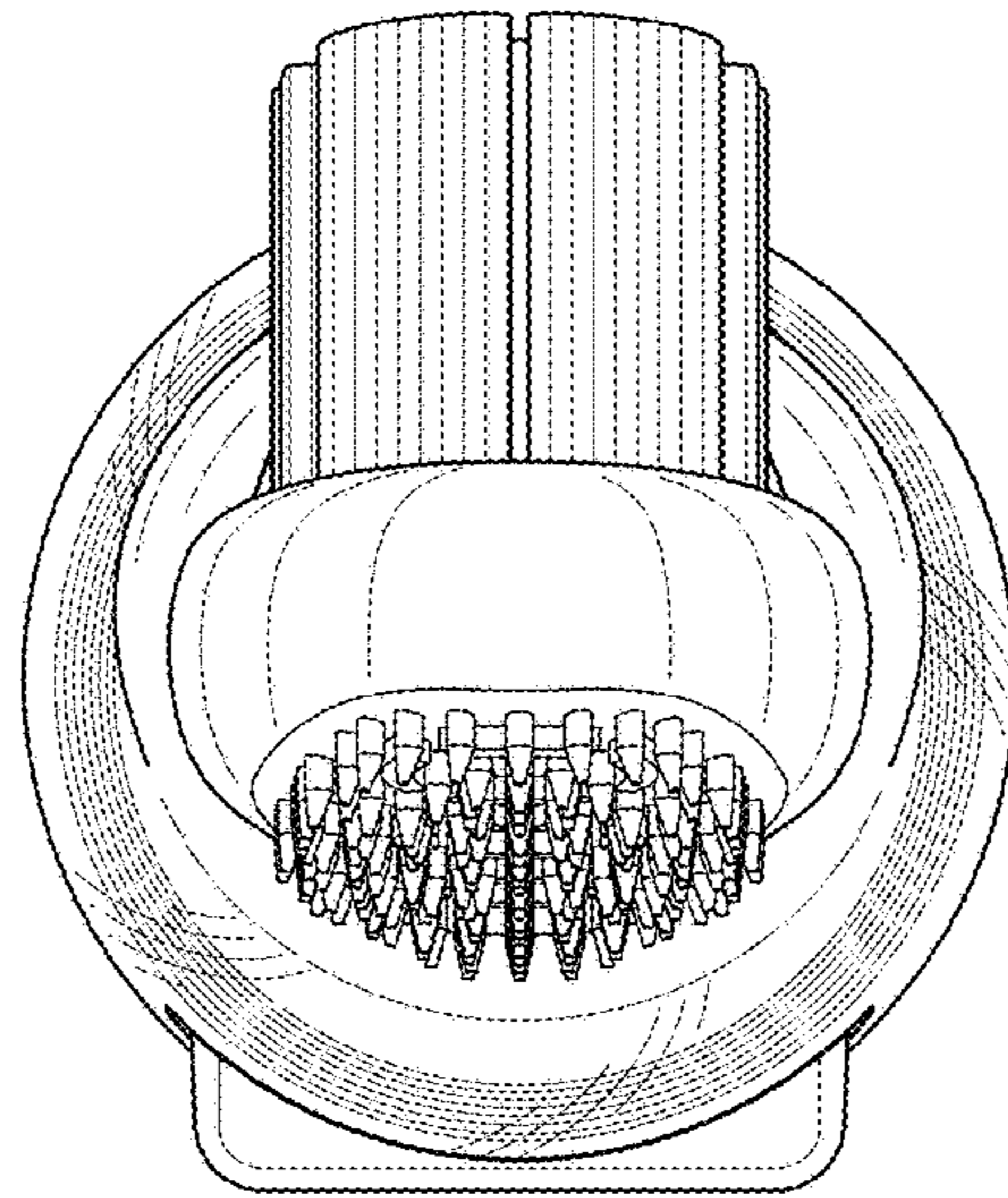


FIG. 6

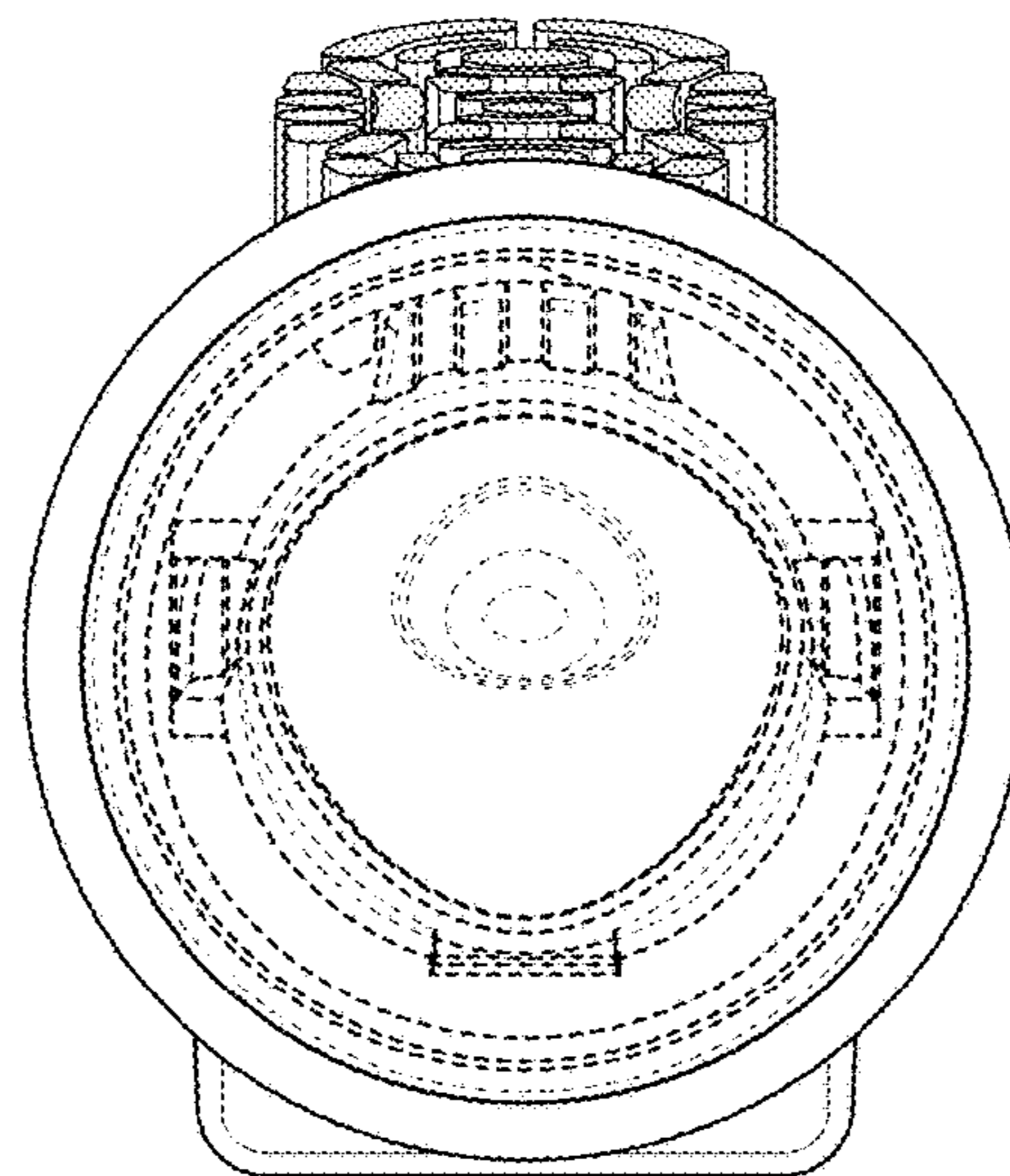


FIG. 7

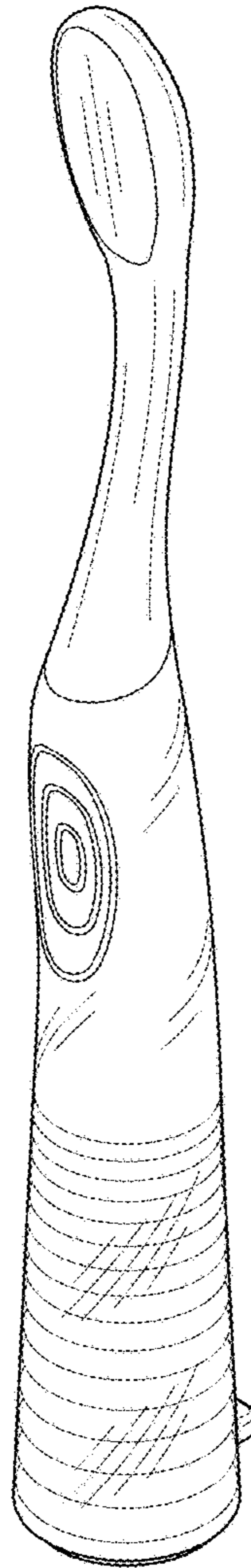


FIG. 8

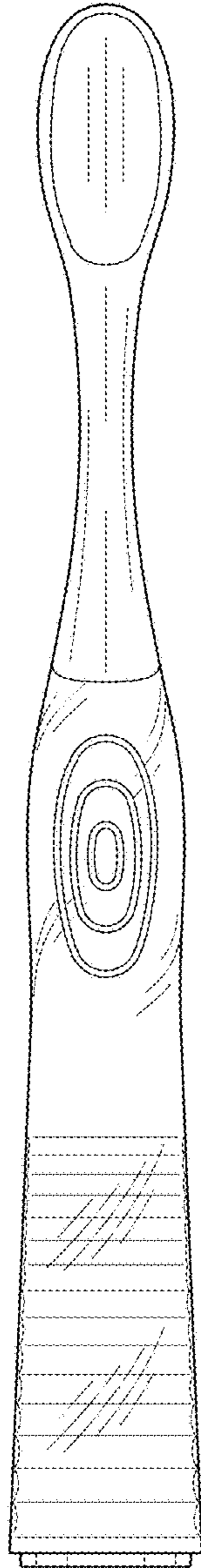


FIG. 9

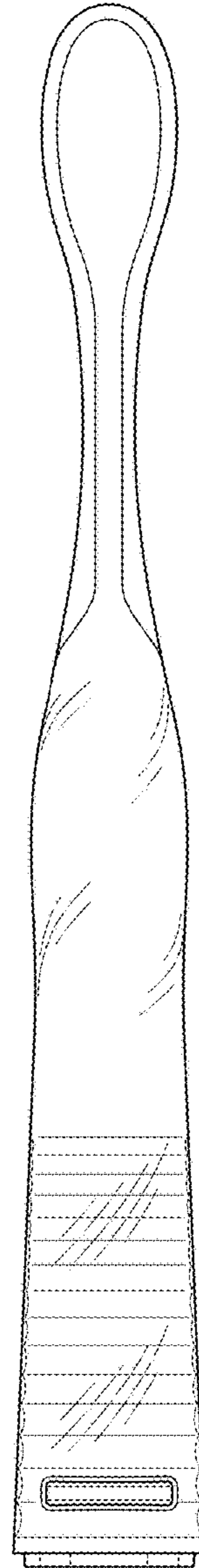


FIG. 10

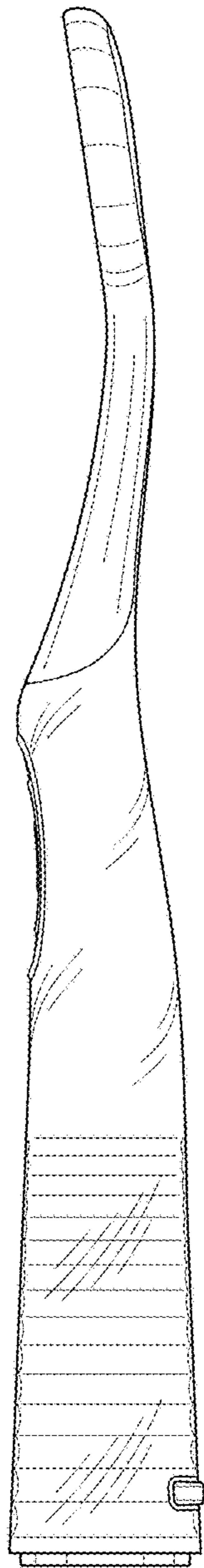


FIG. 11

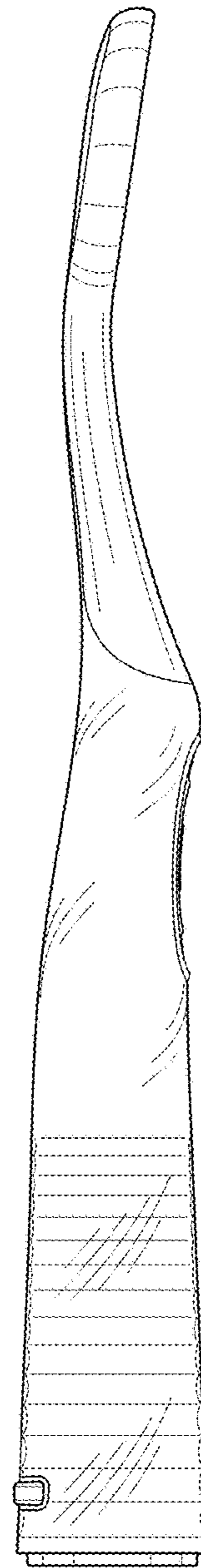


FIG. 12

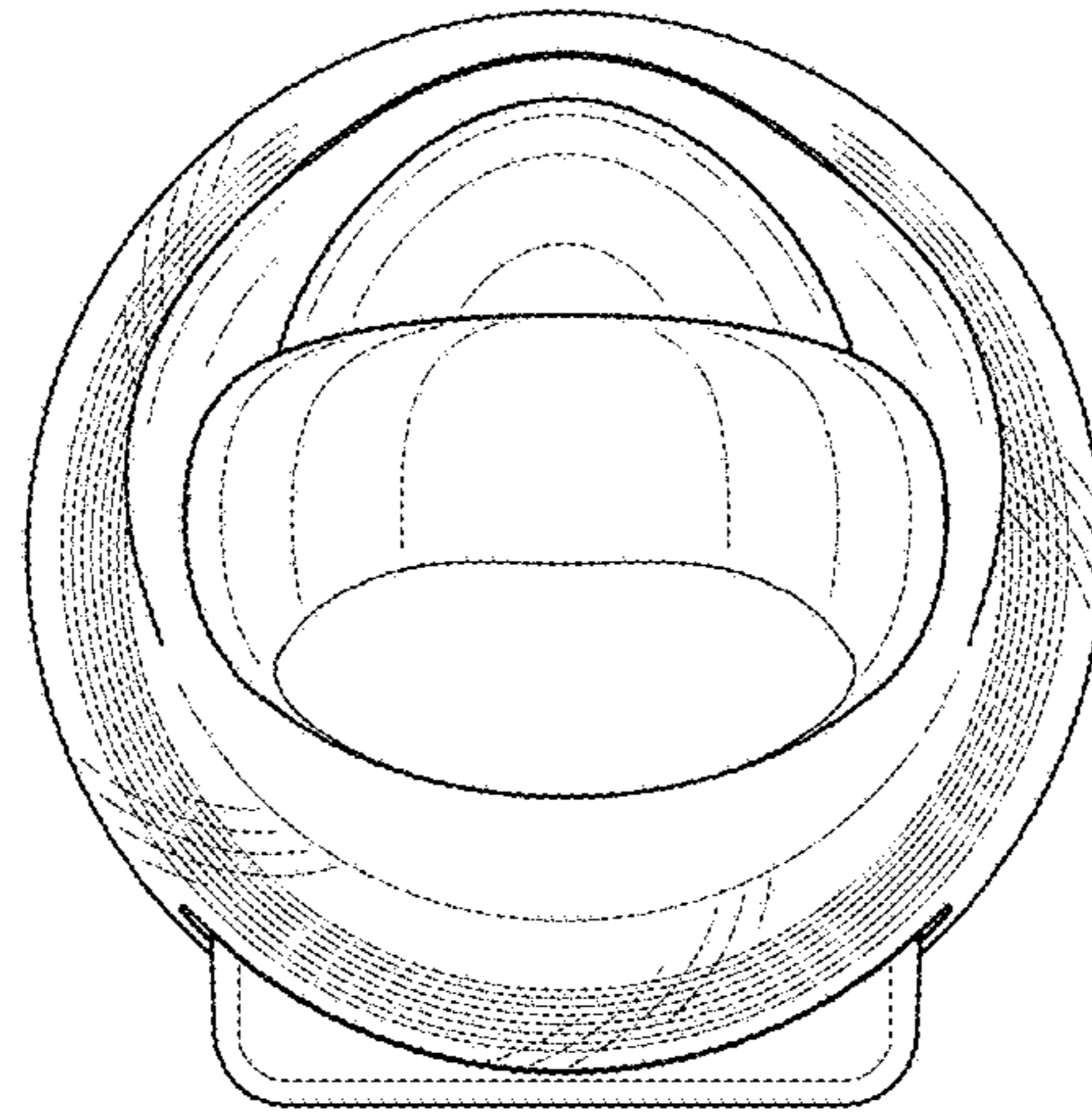


FIG. 13

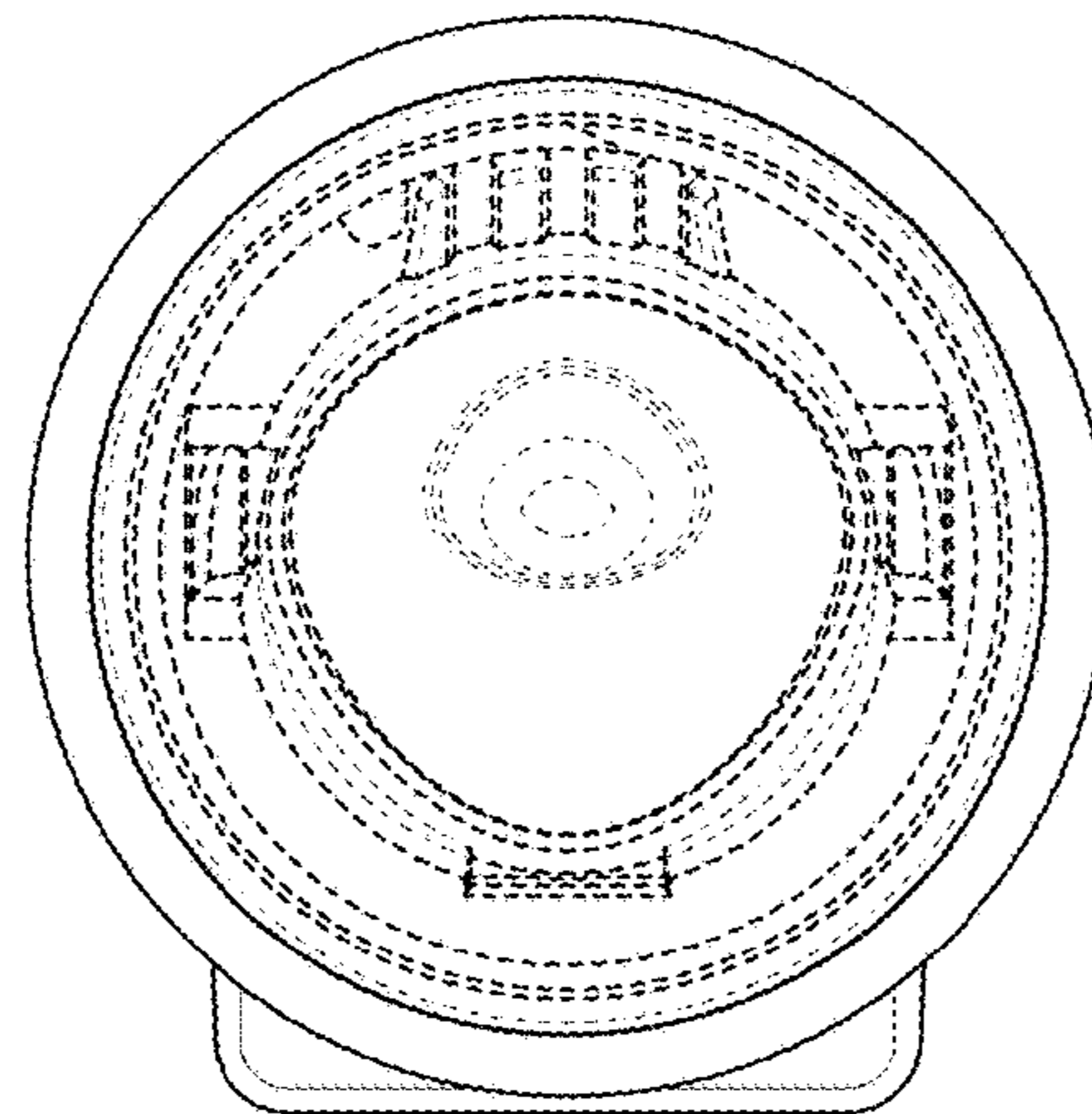


FIG. 14