



US00D858103S

(12) **United States Design Patent** (10) **Patent No.:** **US D858,103 S**
Seibert et al. (45) **Date of Patent:** **** Sep. 3, 2019**

(54) **TOOL CONTAINER**
(71) Applicant: **BLACK & DECKER INC.**, New Britain, CT (US)
(72) Inventors: **Matthew A. Seibert**, Columbus, OH (US); **Marco Lourenco**, Baltimore, MD (US)

6,868,967 B2 3/2005 Lam
D528,793 S 9/2006 Cornwell et al.
7,219,969 B2 5/2007 Bezzubov
7,237,673 B2 7/2007 Wikle et al.
D555,902 S * 11/2007 Pendergraph D3/273
7,322,470 B2 1/2008 Brunson
D563,102 S 3/2008 Cornwell et al.
(Continued)

(73) Assignee: **BLACK & DECKER INC.**, New Britain, CT (US)
(**) Term: **15 Years**

FOREIGN PATENT DOCUMENTS

DE 3517308 A1 9/1985
DE 202014105326 U1 12/2014
EP 1736416 A2 12/2006

(21) Appl. No.: **29/672,208**
(22) Filed: **Dec. 4, 2018**
(51) **LOC (12) Cl.** **03-01**
(52) **U.S. Cl.**
USPC **D3/294; D3/905**
(58) **Field of Classification Search**
USPC D3/273, 274, 276, 279, 282, 294, 297,
D3/298, 905, 307, 313, 310
CPC B25H 3/00; B25H 3/003; B25H 3/006;
B25H 3/02; H02J 7/0027
See application file for complete search history.

OTHER PUBLICATIONS

Home Depot, "Bosch 6 in. H x14 in. W x17.5 in. L 1-Compartment Small Parts Organizer", First reviewed Apr. 2, 2012. (<https://www.homedepot.com/p/Bosch-6-in-H-x-14-in-W-x-17-5-in-L-1-Compartment-Small-Parts-Organizer-LBOXX-2/202716977>) (Year: 2012).*

(Continued)

Primary Examiner — Jennifer Rivard
Assistant Examiner — April Rivas
(74) *Attorney, Agent, or Firm* — Scott B. Markow

(56) **References Cited**

(57) **CLAIM**

The ornamental design for a tool container, as shown and described.

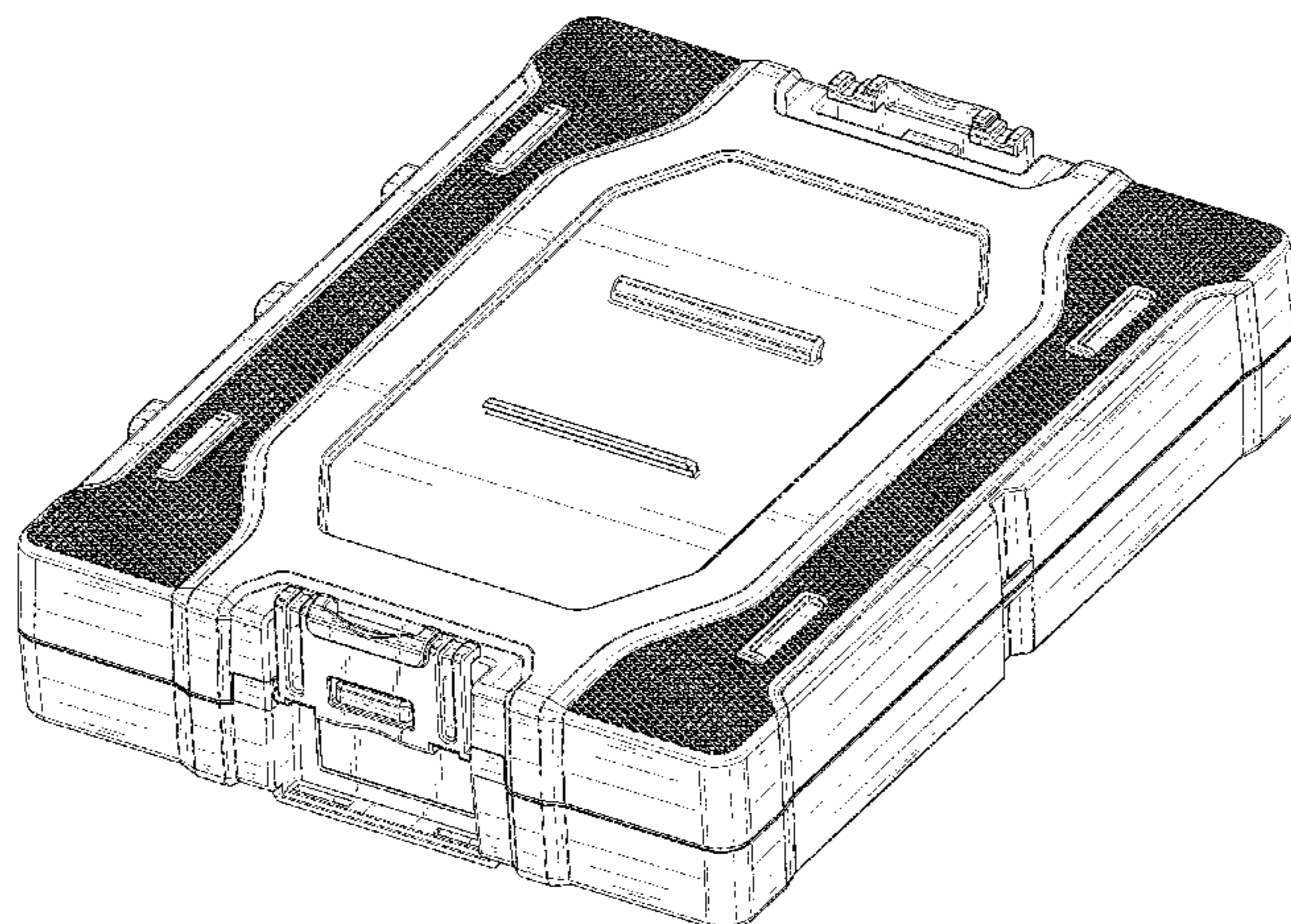
U.S. PATENT DOCUMENTS

DESCRIPTION

263,561 A 8/1882 Mower
4,643,494 A 2/1987 Marleau
4,863,222 A 9/1989 Posso
5,570,784 A 11/1996 Sidabras et al.
5,617,953 A 4/1997 Cope
5,803,254 A 9/1998 Vasudeva
5,887,715 A 3/1999 Vasudeva
5,890,613 A 4/1999 Williams
5,934,466 A 8/1999 Loeffler
6,082,539 A 7/2000 Lee
6,271,320 B1 8/2001 Keller et al.
6,349,827 B1 2/2002 Feder
6,543,613 B2 4/2003 Belanger
D477,913 S * 8/2003 Fang D3/282

FIG. 1 is a top perspective view of the tool container.
FIG. 2 is a bottom perspective view thereof.
FIG. 3 is a top plan view thereof.
FIG. 4 is a bottom plan view thereof.
FIG. 5 is a rear side view thereof.
FIG. 6 is a front side view thereof.
FIG. 7 is a left view thereof; and,
FIG. 8 is a right view thereof.

1 Claim, 8 Drawing Sheets



(56)

References Cited

U.S. PATENT DOCUMENTS

D563,670 S 3/2008 Cornwell et al.
 D563,671 S 3/2008 Cornwell et al.
 D568,607 S * 5/2008 Hsu D3/282
 D569,103 S * 5/2008 Hoge D3/273
 D569,616 S * 5/2008 Lin D3/273
 7,690,856 B2 4/2010 Mortensen
 D617,987 S * 6/2010 Wang D3/294
 D620,255 S * 7/2010 Chang D3/282
 7,931,143 B1 * 4/2011 Lin B25H 3/003
 206/373
 D639,058 S * 6/2011 Chiu D3/282
 D645,663 S 9/2011 Henley et al.
 D648,531 S 11/2011 Finnigan et al.
 8,322,354 B2 12/2012 Parker
 8,459,495 B2 6/2013 Koenig et al.
 D691,801 S * 10/2013 Lin D3/282
 8,561,679 B2 10/2013 Andochick
 8,590,704 B2 11/2013 Koenig et al.
 8,714,355 B2 5/2014 Huang

8,875,888 B2 11/2014 Koenig et al.
 8,979,100 B2 3/2015 Bensman et al.
 9,469,024 B2 10/2016 Bensman et al.
 D781,584 S 3/2017 Kinsky
 D789,086 S * 6/2017 Lin D3/294
 D795,579 S * 8/2017 Sarfati D3/294
 D805,774 S * 12/2017 Sun D3/294
 2002/0179473 A1 12/2002 Chao
 2004/0188322 A1 9/2004 Chen
 2012/0152944 A1 6/2012 Vilkomirski et al.
 2015/0353231 A1 10/2015 Brunner
 2016/0075010 A1 3/2016 Gonzalez et al.
 2016/0194115 A1 7/2016 Stuart et al.

OTHER PUBLICATIONS

Home Depot, "Makita Steel Contractor Bit Set (66-Piece)", First reviewed Dec. 13, 2016. (<https://www.homedepot.com/p/Makita-Steel-Contractor-Bit-Set-66-Piece-B-51661/206833216>)(Year: 2016).*

* cited by examiner

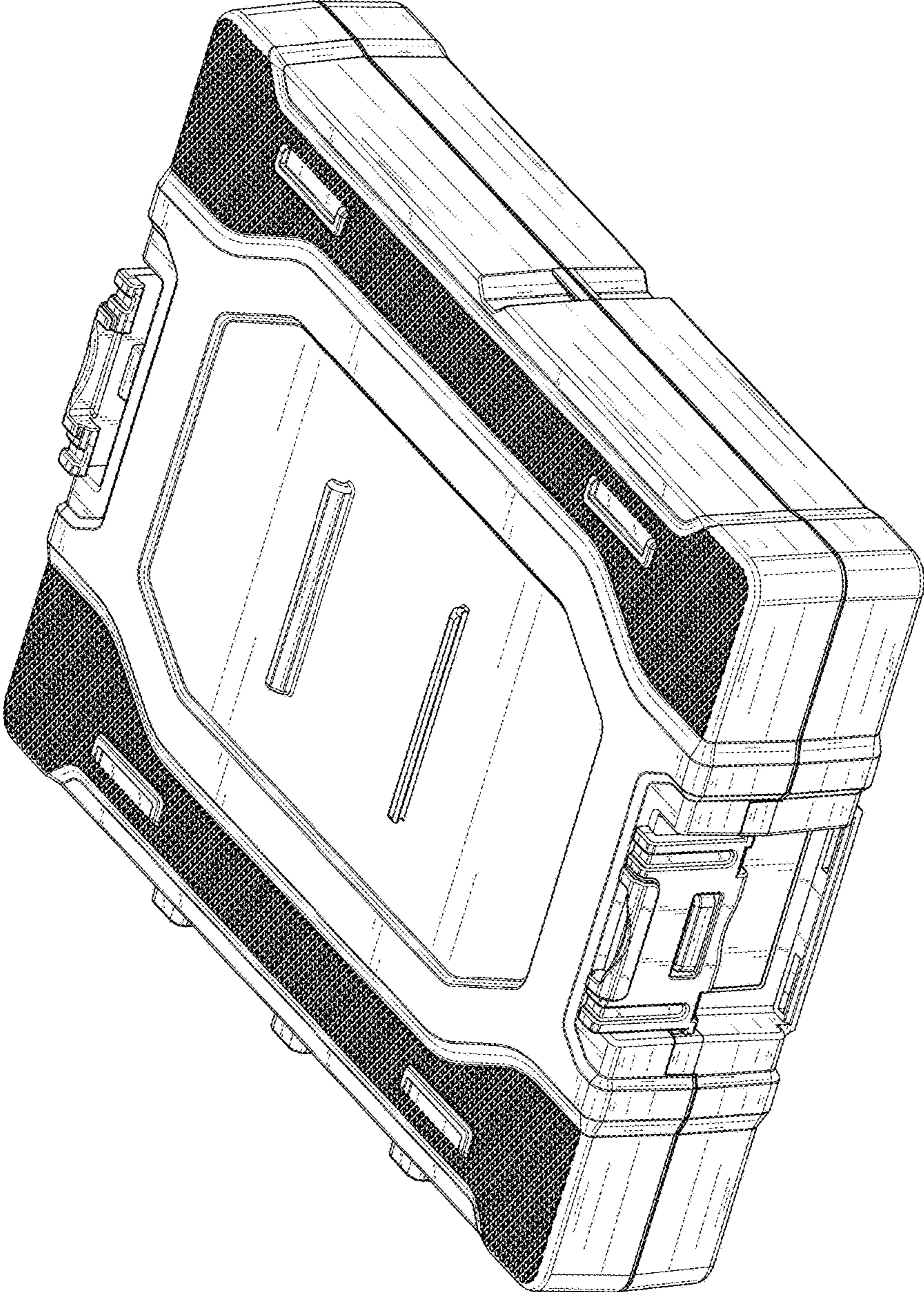


FIG. 1

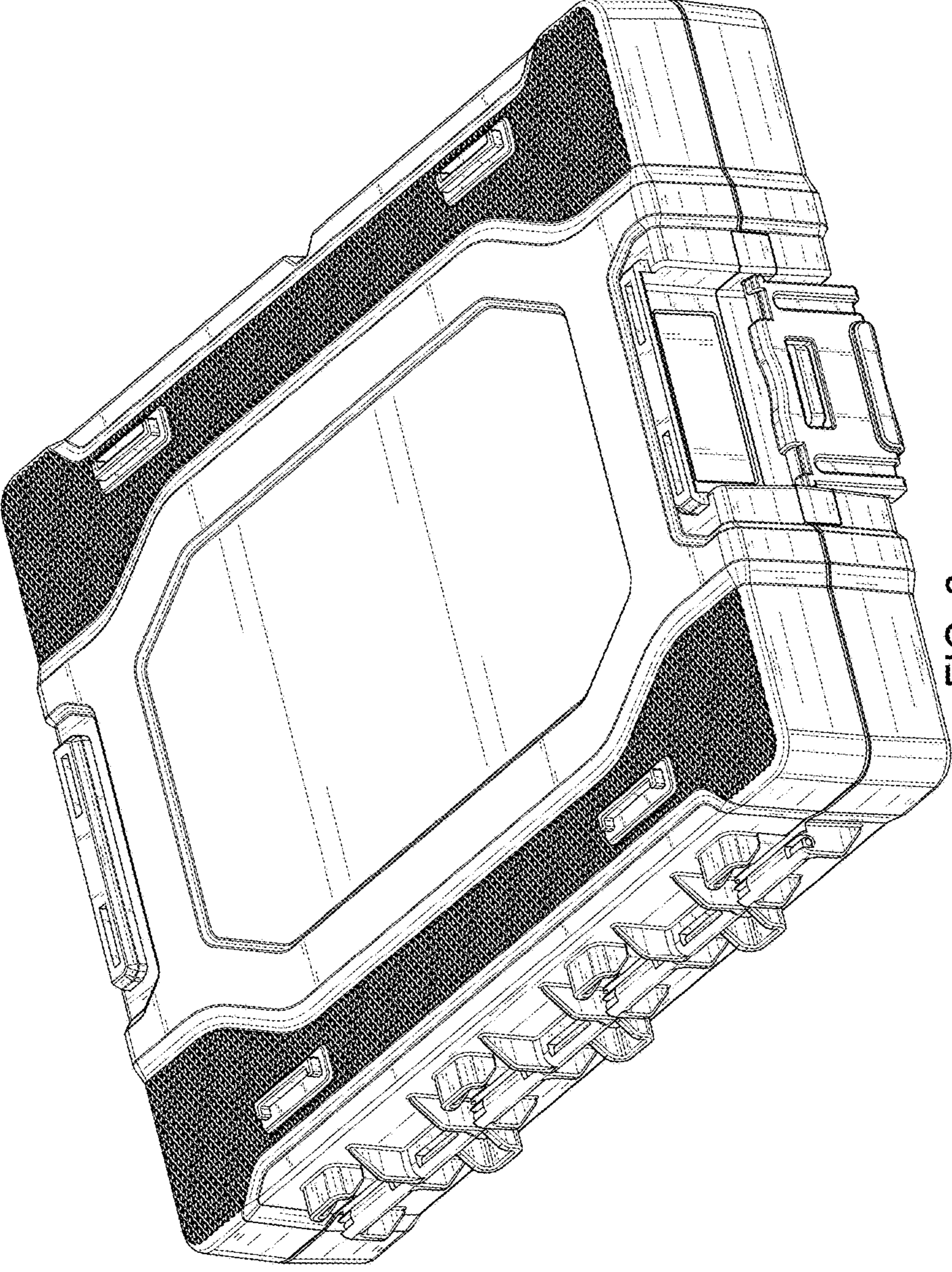


FIG. 2

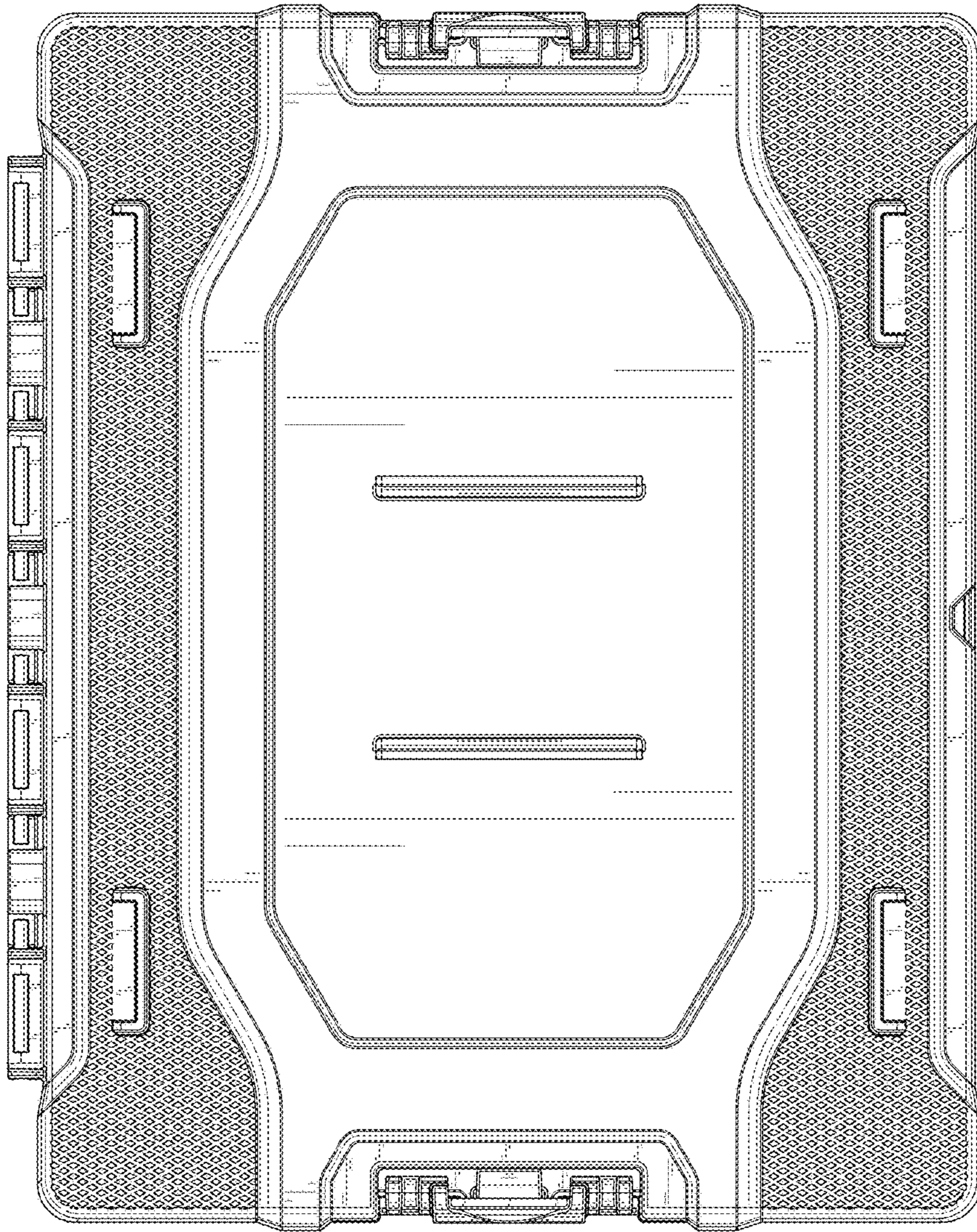


FIG. 3

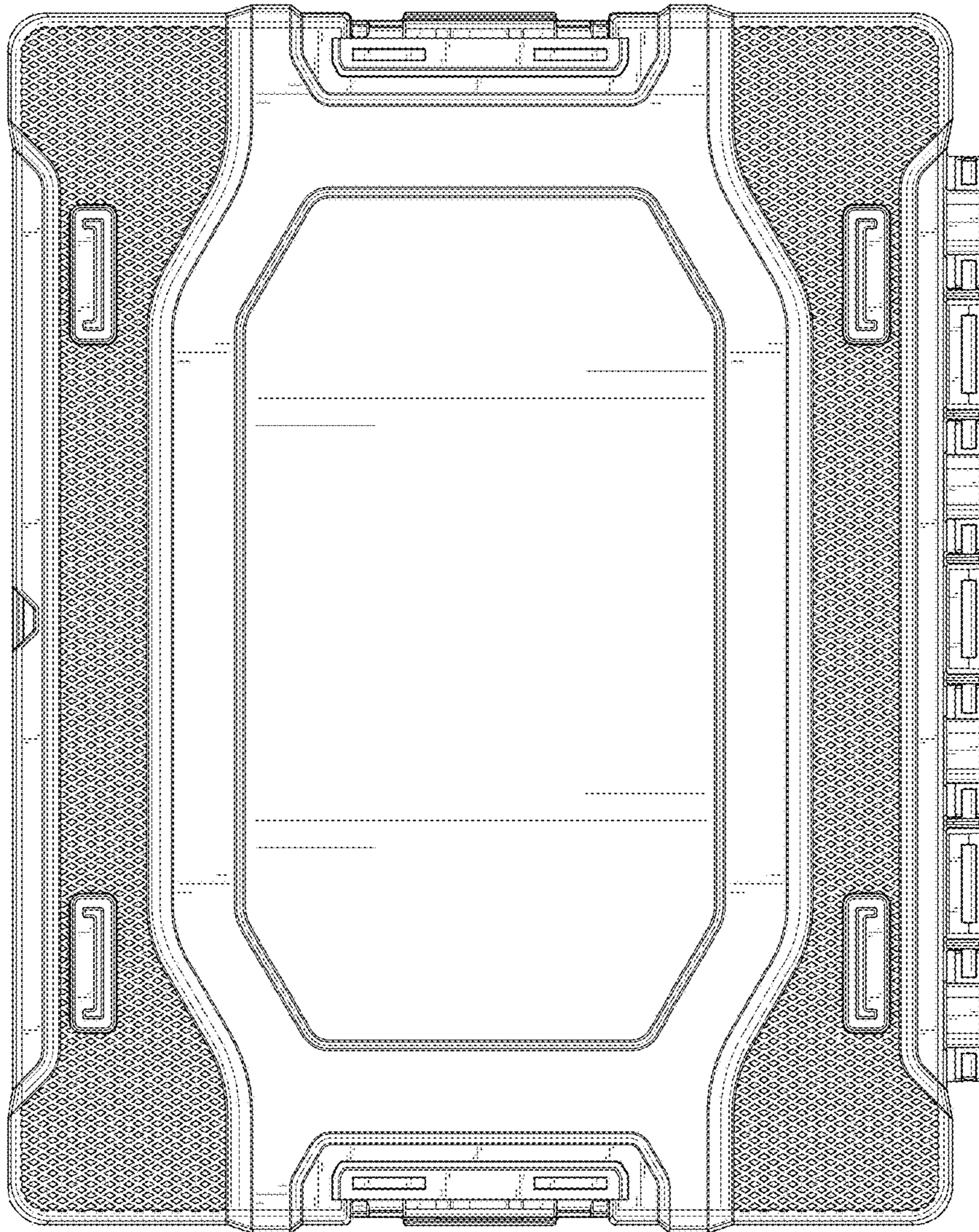


FIG. 4

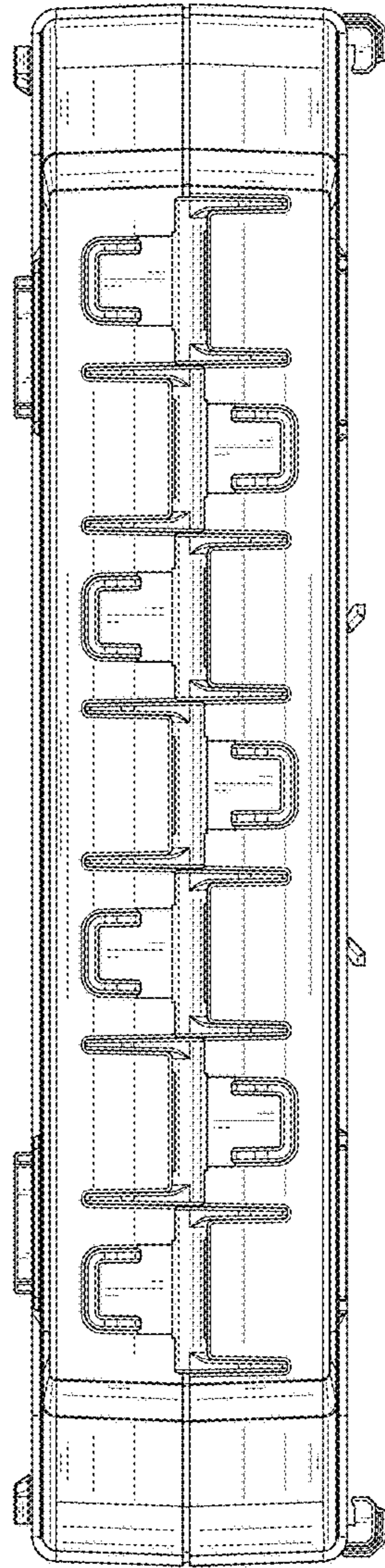


FIG. 5

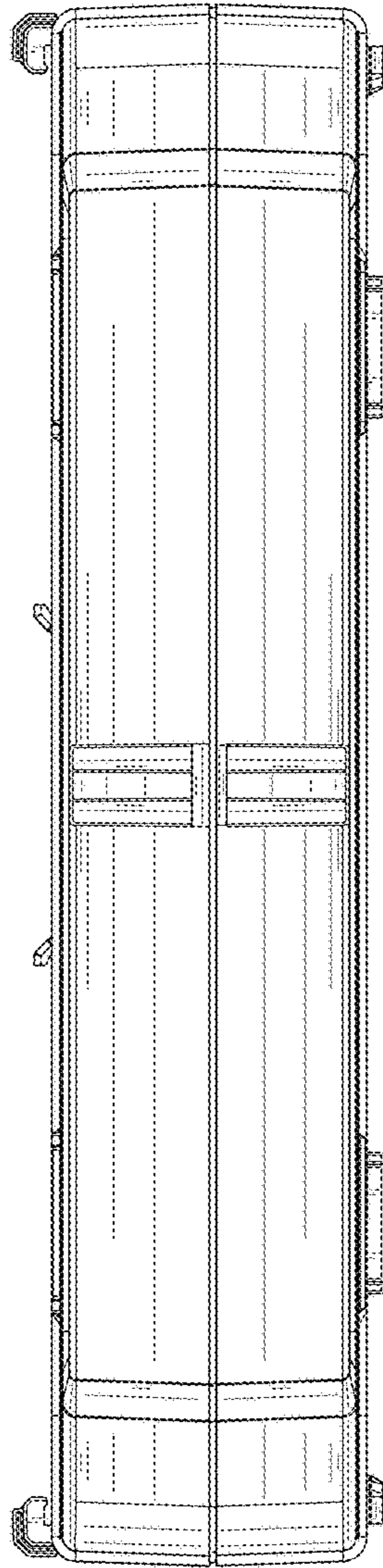


FIG. 6

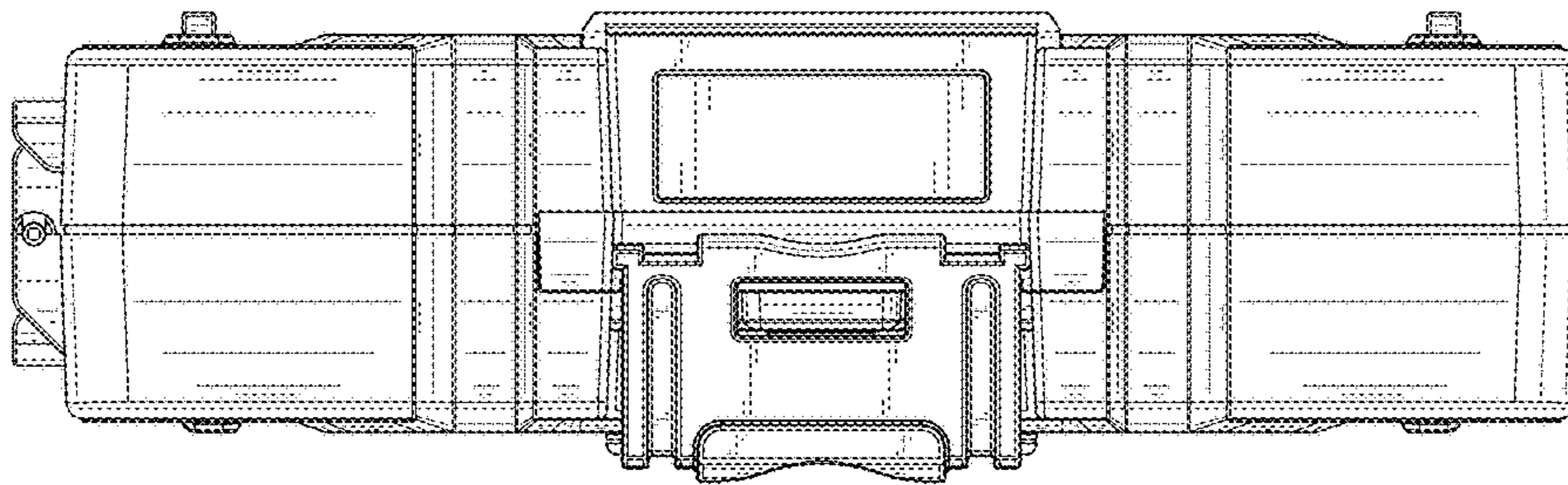


FIG. 7

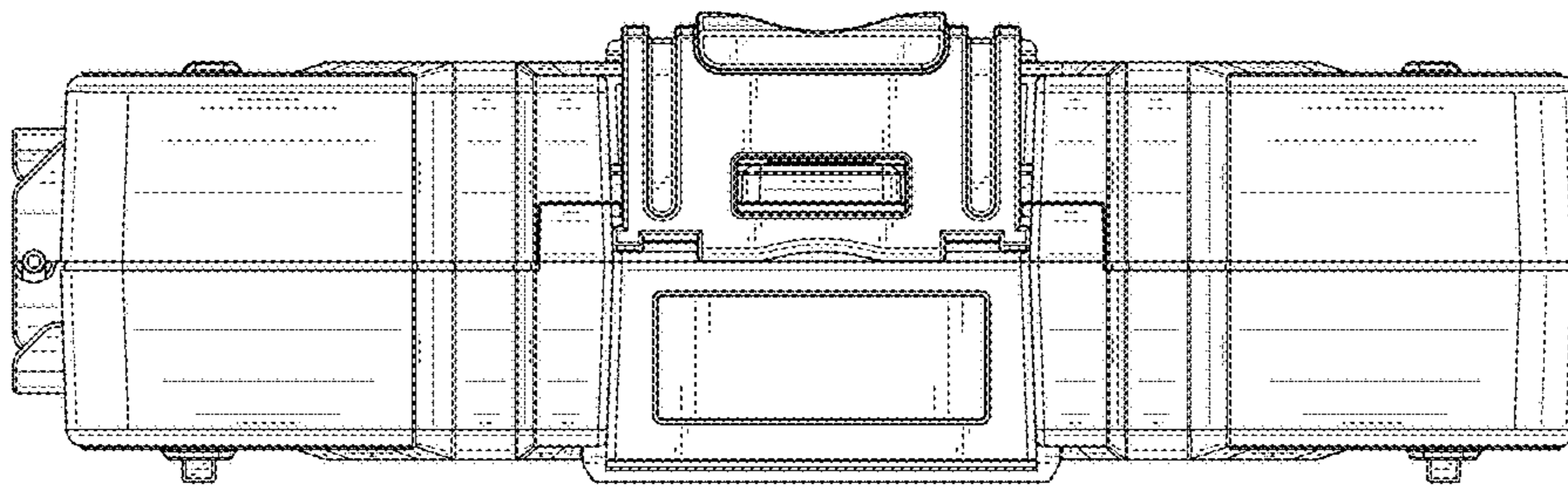


FIG. 8