



US00D858102S

(12) **United States Design Patent**  
**Scofield**

(10) **Patent No.:** **US D858,102 S**  
(45) **Date of Patent:** **\*\* Sep. 3, 2019**

(54) **MAGAZINE CASE**

(71) Applicant: **Miles L. Scofield**, Naples, FL (US)

(72) Inventor: **Miles L. Scofield**, Naples, FL (US)

(\*\*) Term: **15 Years**

(21) Appl. No.: **29/670,742**

(22) Filed: **Nov. 19, 2018**

(51) **LOC (12) Cl.** ..... **03-01**

(52) **U.S. Cl.**  
USPC ..... **D3/294**

(58) **Field of Classification Search**  
USPC ..... D3/201, 273, 274, 276, 281, 283, 294,  
D3/900, 901, 903, 905

CPC ..... A47C 7/62; A47C 1/14  
See application file for complete search history.

D781,584 S \* 3/2017 Kinskey ..... D3/294  
D801,685 S \* 11/2017 Meng ..... D3/294  
D805,774 S \* 12/2017 Sun ..... D3/294  
D808,653 S \* 1/2018 Rayeski ..... D3/273  
D828,029 S \* 9/2018 Seiders ..... D3/294

**FOREIGN PATENT DOCUMENTS**

WO WO2014/191707 12/2014

\* cited by examiner

*Primary Examiner* — Holly E Thurman

(74) *Attorney, Agent, or Firm* — Edward M. Livingston, Esq.; Bryan L. Loeffler, Esq.; Livingston Loeffler, P.A.

(57) **CLAIM**

The ornamental design for a magazine case, as shown and described.

(56) **References Cited**

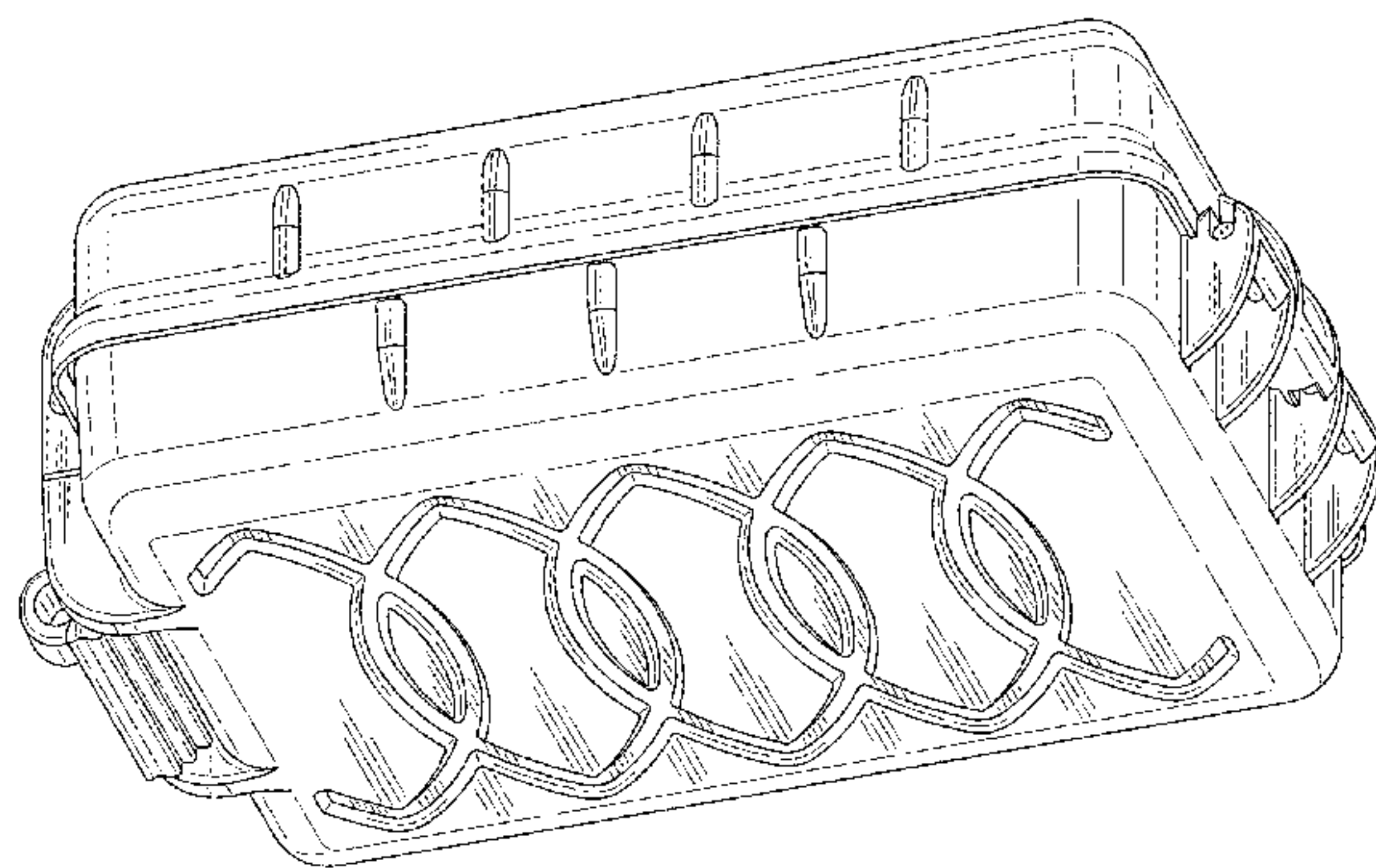
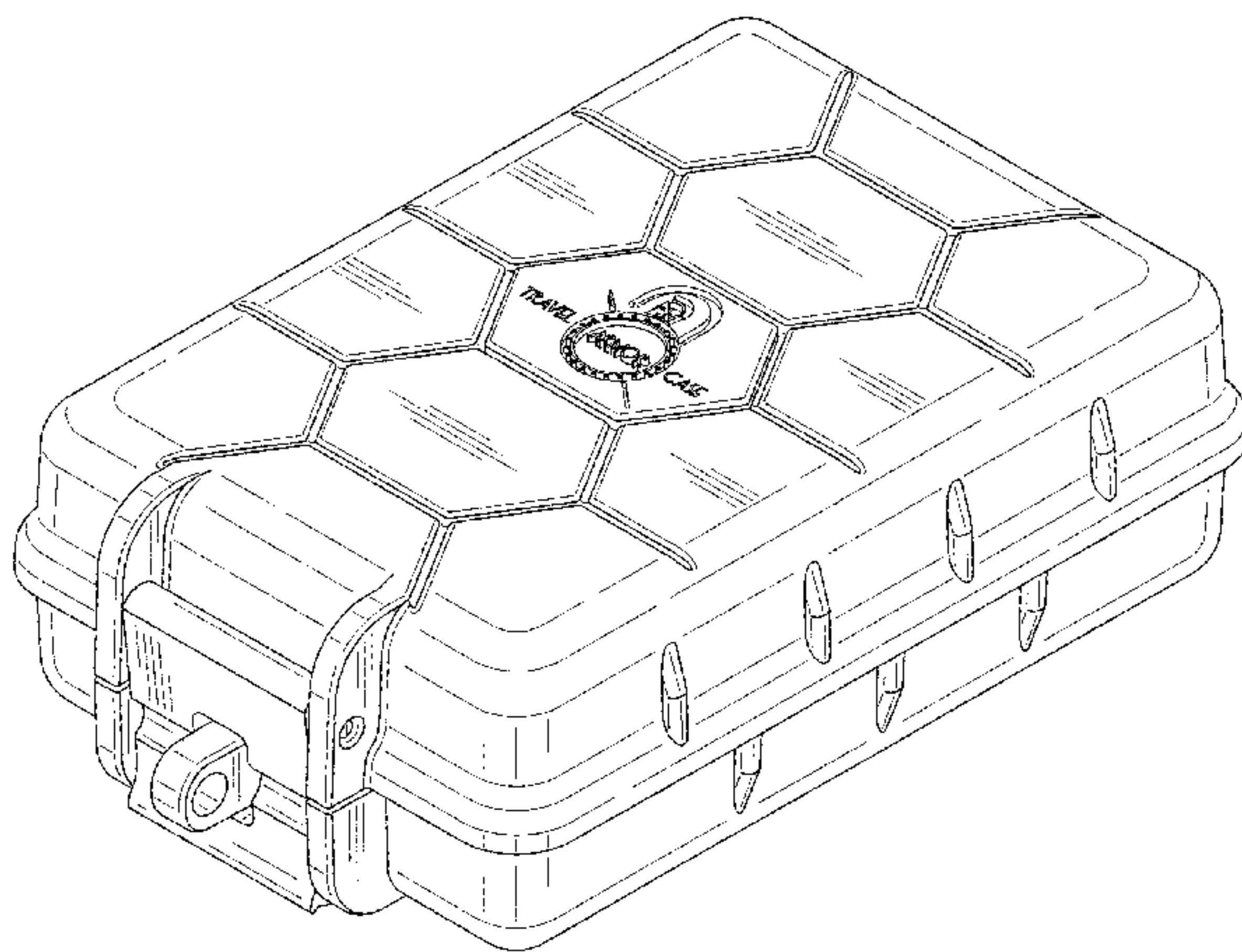
**U.S. PATENT DOCUMENTS**

D357,117 S	4/1995	Huang	
5,881,874 A	3/1999	McKinney	
D439,407 S	3/2001	Parker	
6,547,070 B1	4/2003	Kolpin	
6,698,608 B2	3/2004	Parker et al.	
D530,914 S *	10/2006	Jansson	D3/282
7,451,872 B1	11/2008	Allen	
7,546,920 B1	6/2009	Horn et al.	
D599,112 S *	9/2009	Wenchel	D3/294
D606,532 S *	12/2009	de Jong	D14/250
D606,986 S *	12/2009	de Jong	D14/250
D709,699 S *	7/2014	Hsu	D3/294
D724,320 S *	3/2015	Russell	D3/273
D725,388 S *	3/2015	Cole	D3/282
D753,394 S *	4/2016	Brunner	D3/276
D779,203 S *	2/2017	Kinskey	D3/294

**DESCRIPTION**

FIG. 1 is a perspective top view of a magazine case showing my new design;  
FIG. 2 is a perspective bottom view of the magazine case thereof;  
FIG. 3 is a top view of the magazine case thereof;  
FIG. 4 is a bottom view of the magazine case thereof;  
FIG. 5 is a front side view of the magazine case thereof;  
FIG. 6 is a rear side view of the magazine case thereof;  
FIG. 7 is a right side view of the magazine case thereof; and,  
FIG. 8 is a left side view of the magazine case thereof.  
The "Travel Armor Case" symbol forming part of the claimed design are registered trademarks of Banyan Marketing & Distributing, LLC.

**1 Claim, 6 Drawing Sheets**



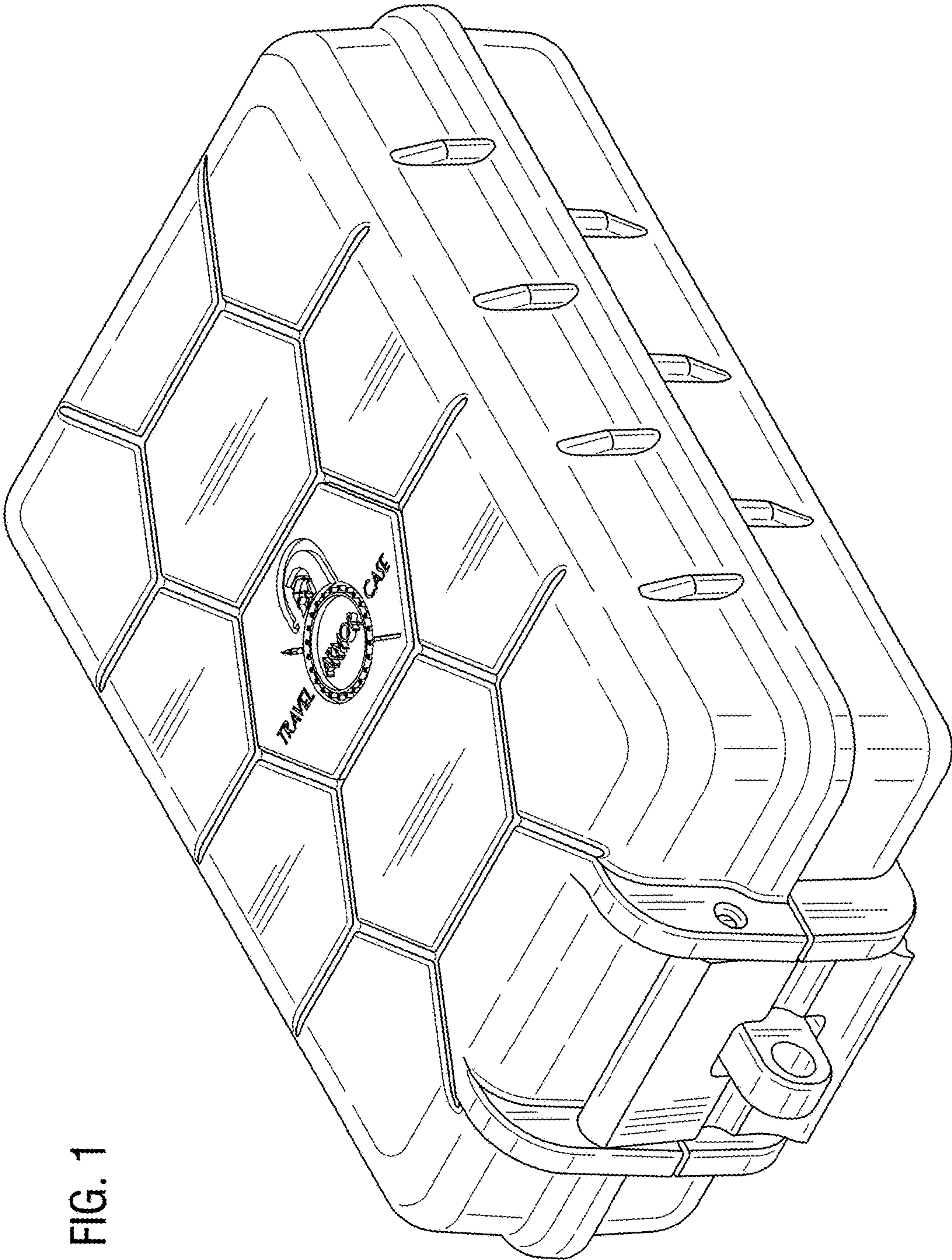


FIG. 1



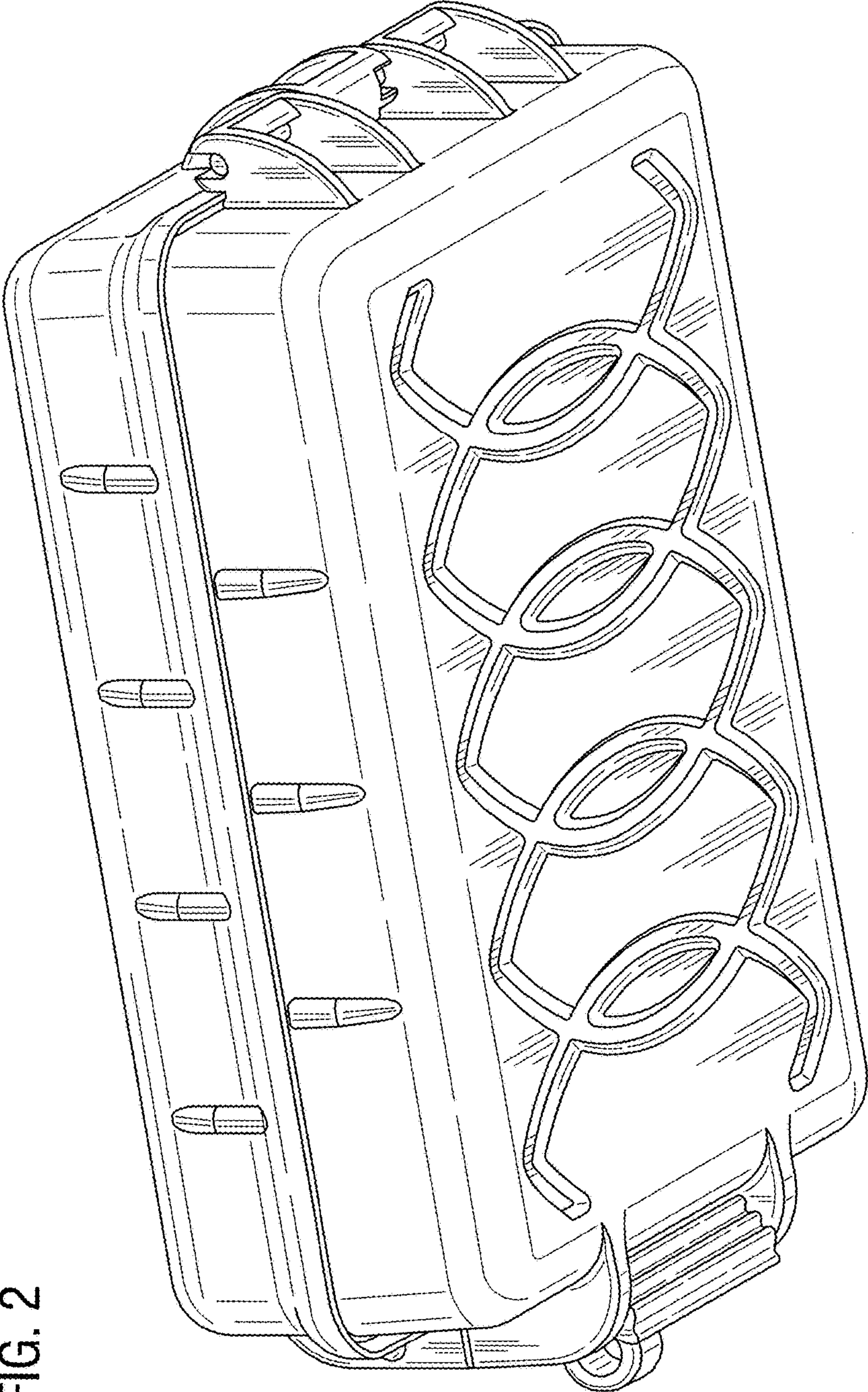


FIG. 2

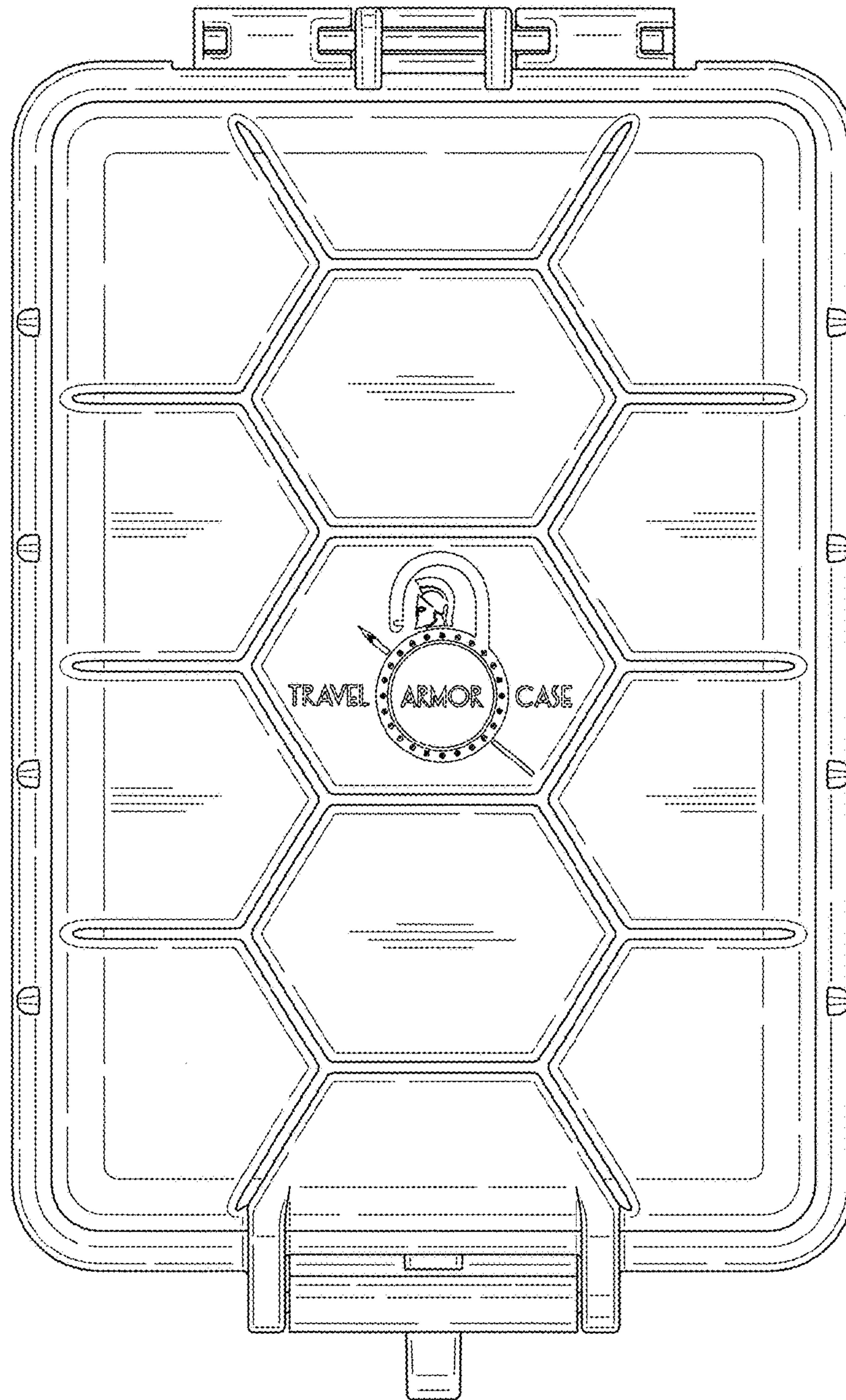


FIG. 3



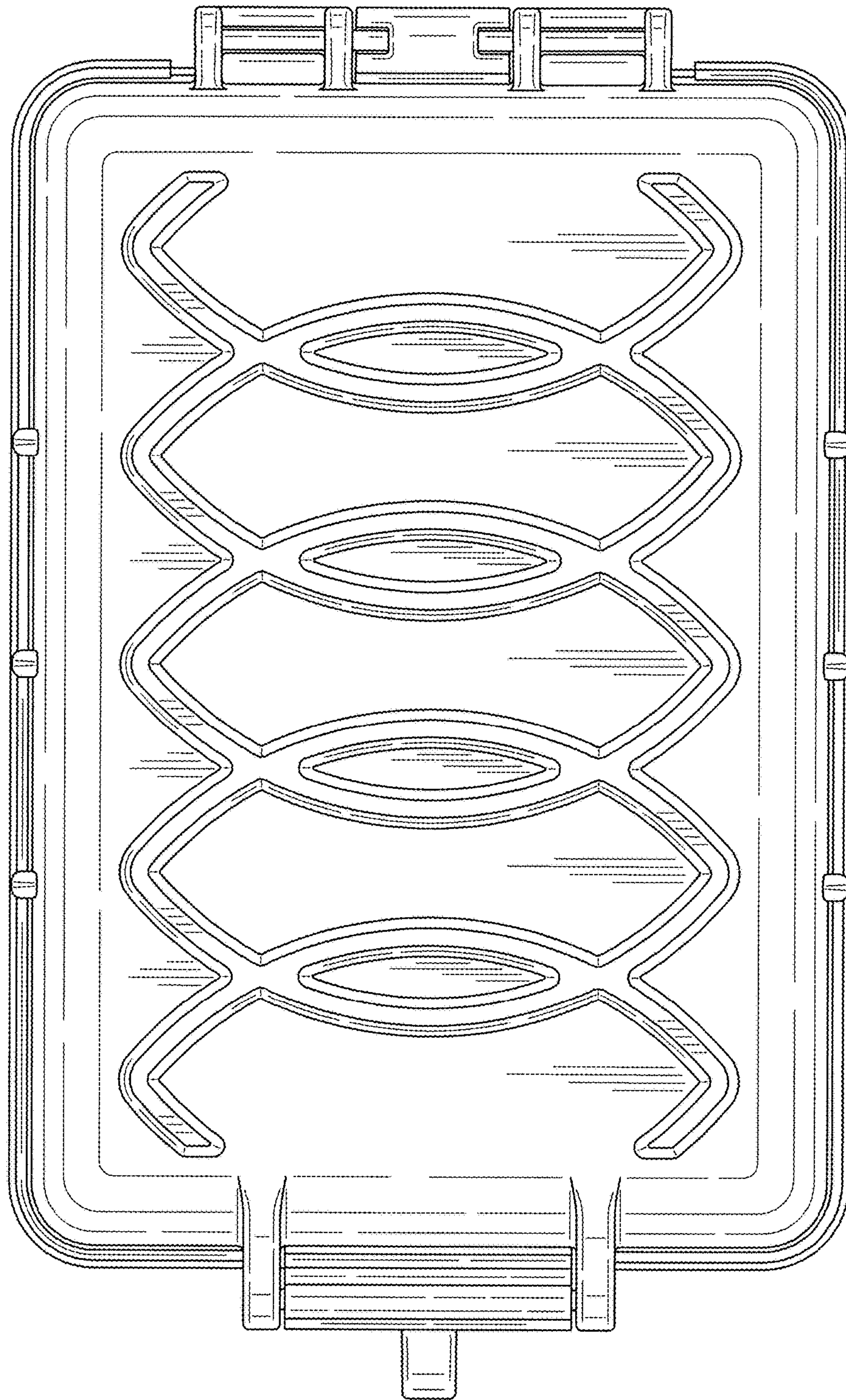


FIG. 4

FIG. 5

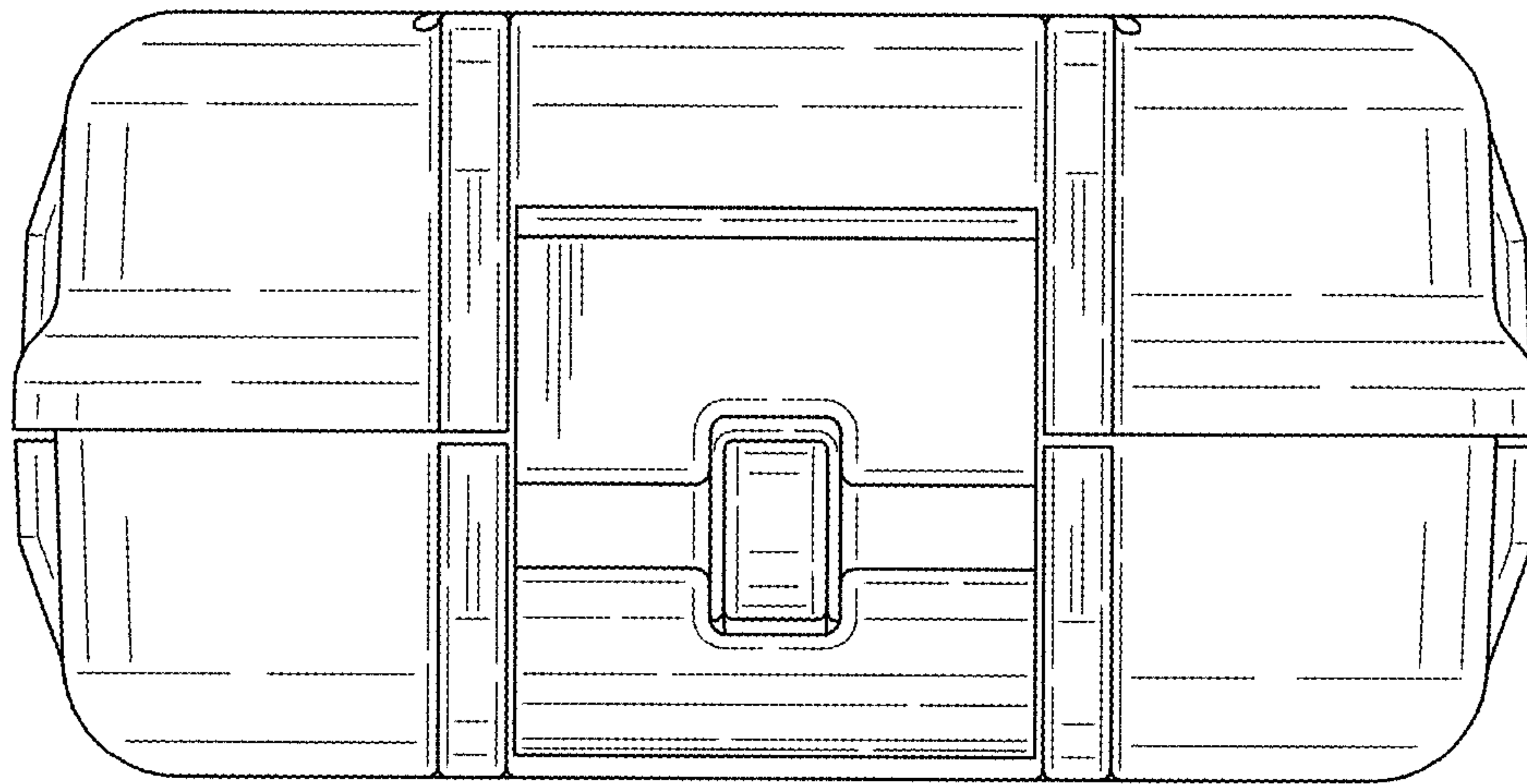
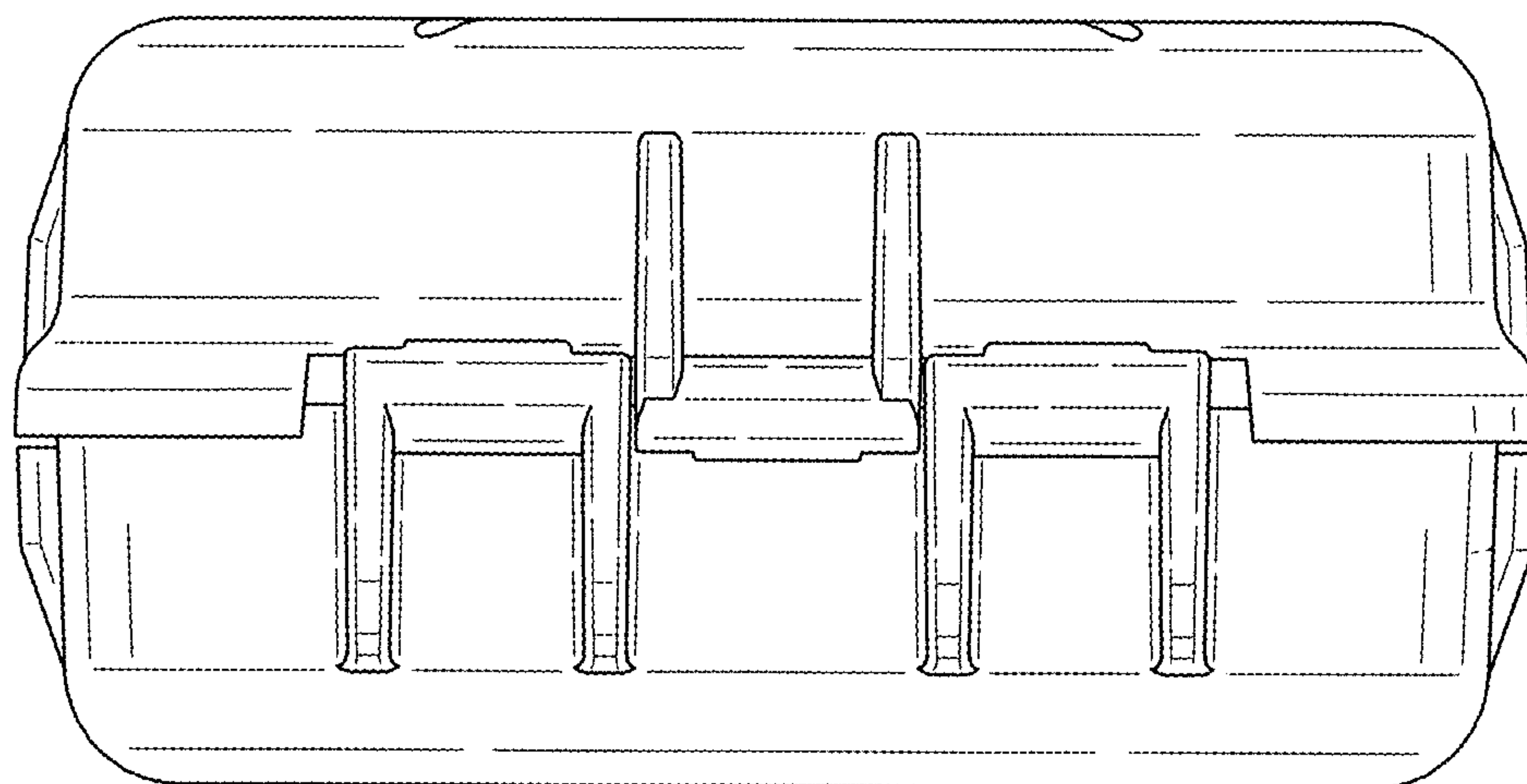


FIG. 6



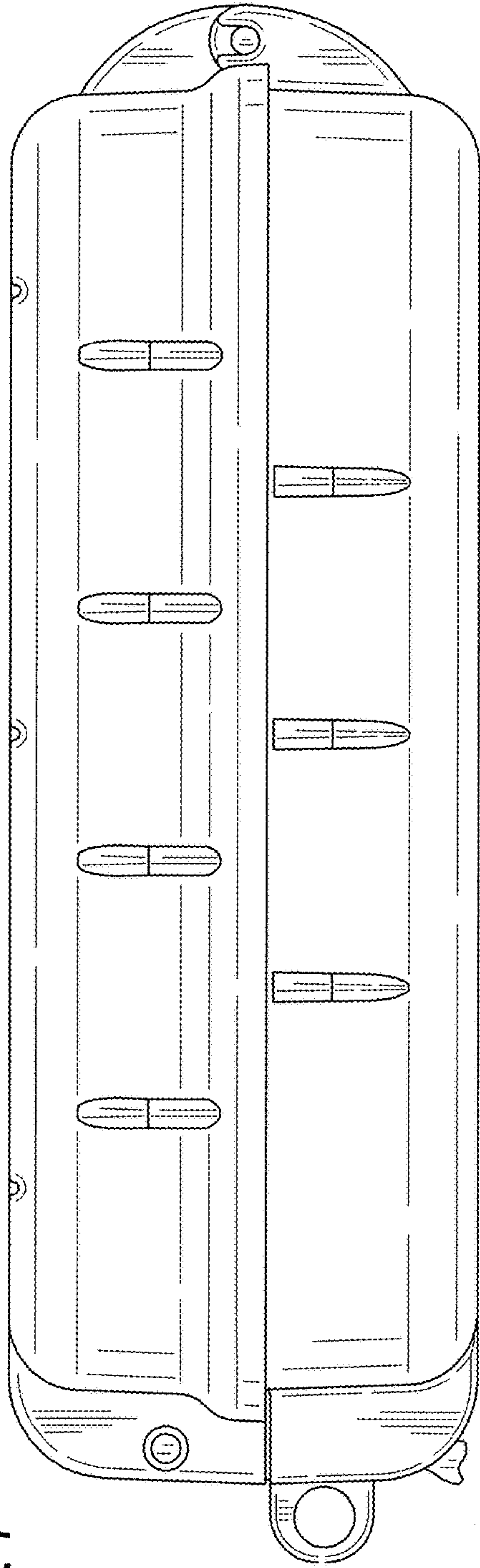


FIG. 7

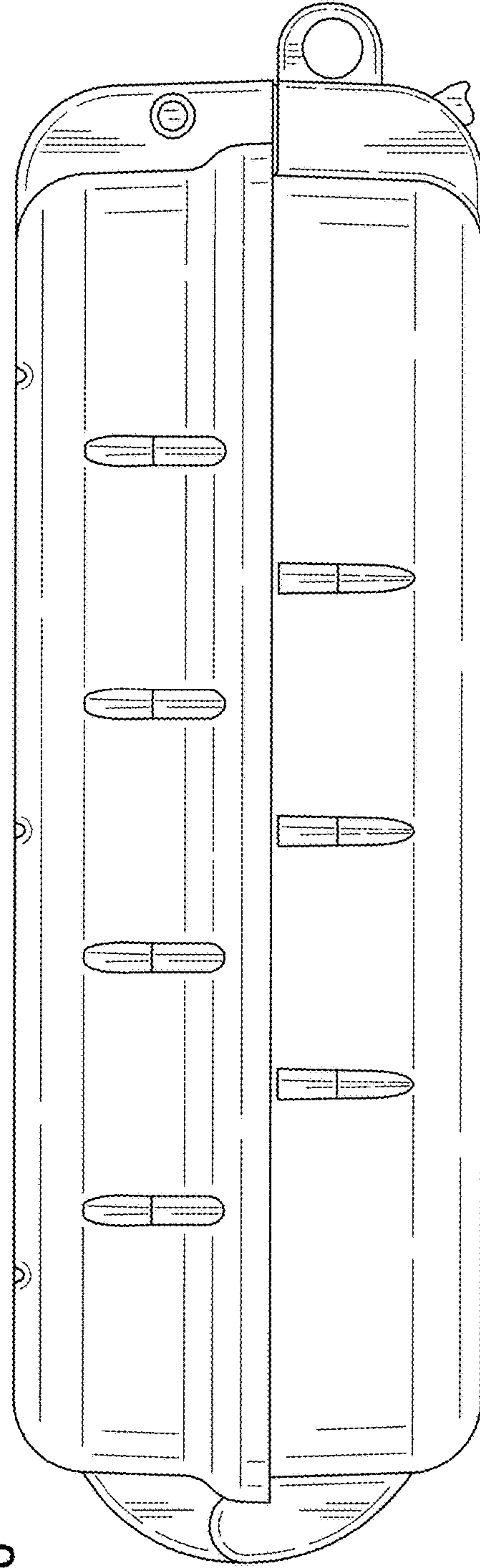


FIG. 8