



US00D858101S

(12) **United States Design Patent** (10) **Patent No.:** **US D858,101 S**  
**Williams et al.** (45) **Date of Patent:** **\*\* Sep. 3, 2019**

- (54) **GUN CLEANING KIT CASE**
- (71) Applicant: **Otis Products, Inc.**, Lyons Falls, NY (US)
- (72) Inventors: **Nicholas Williams**, Naples, FL (US); **Nathan Williams**, Naples, FL (US)
- (73) Assignee: **Otis Products, Inc.**, Lyons Falls, NY (US)
- (\*\*) Term: **15 Years**
- (21) Appl. No.: **29/585,667**
- (22) Filed: **Nov. 28, 2016**
- (51) **LOC (12) Cl.** ..... **03-01**
- (52) **U.S. Cl.**  
USPC ..... **D3/294**
- (58) **Field of Classification Search**  
USPC ..... D3/232, 239, 240, 242, 271.1, 294;  
D7/710  
CPC ..... A47C 7/62; A47C 1/14  
See application file for complete search history.

- D612,152 S \* 3/2010 Roesler ..... D3/294
- D617,987 S \* 6/2010 Wang ..... D3/294
- D668,457 S \* 10/2012 Mimlitch, III ..... D3/294
- D704,442 S \* 5/2014 Chen ..... D3/294
- D759,378 S \* 6/2016 West ..... D3/294
- D789,086 S \* 6/2017 Lin ..... D3/294
- D798,597 S \* 10/2017 Dietsche ..... D3/294
- D809,298 S \* 2/2018 Zhu ..... D3/294
- D815,436 S \* 4/2018 Stanley ..... D3/294
- D817,640 S \* 5/2018 Dang ..... D3/294

\* cited by examiner

*Primary Examiner* — Holly E Thurman  
(74) *Attorney, Agent, or Firm* — Harris Beach PLLC

(57) **CLAIM**

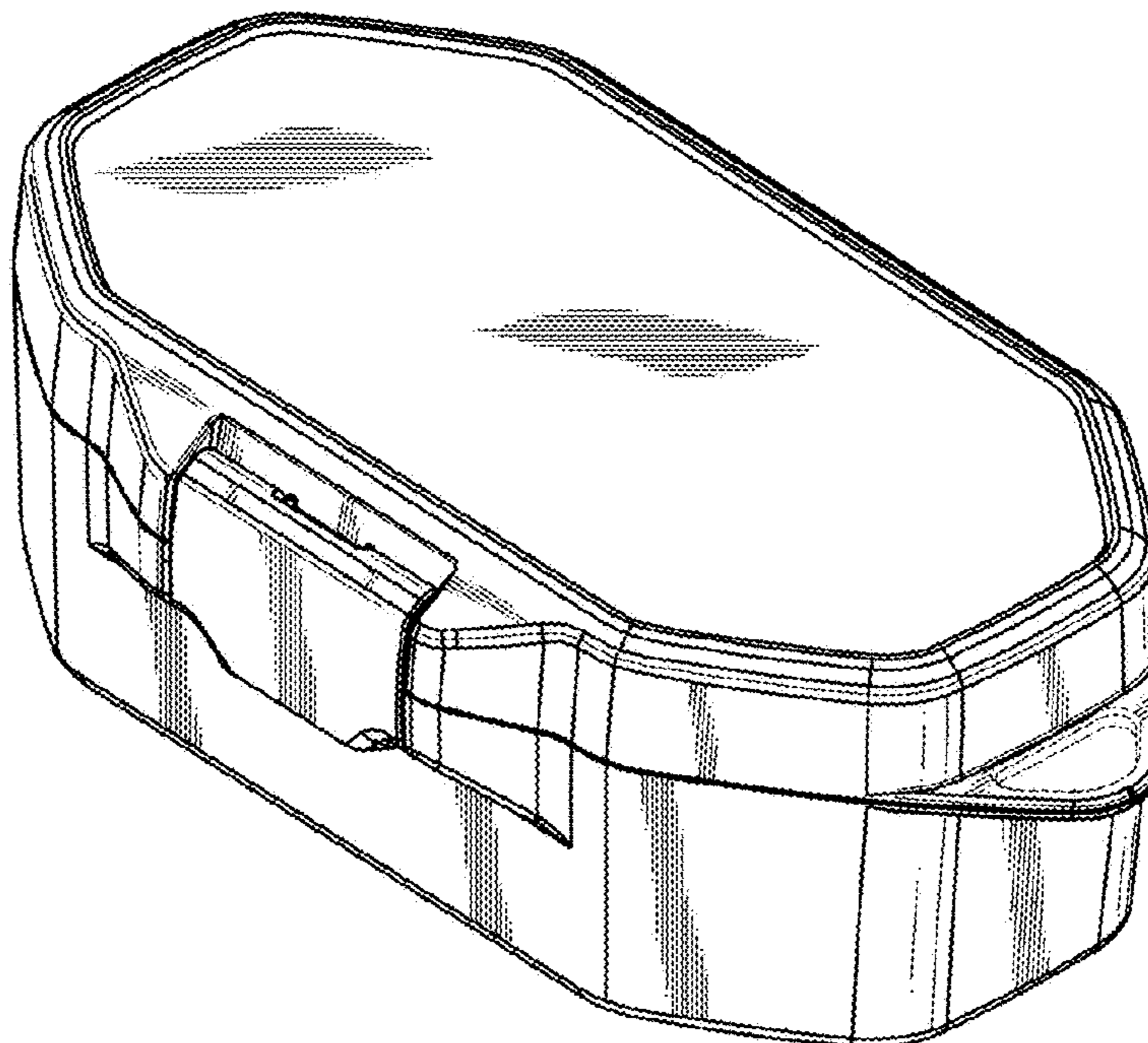
The ornamental design for a gun cleaning kit case, as shown and described.

**DESCRIPTION**

FIG. 1 is a perspective view of a gun cleaning kit case, illustrating our new design;  
FIG. 2 is a rear elevation view thereof;  
FIG. 3 is a top elevation view thereof;  
FIG. 4 is a front elevation view thereof;  
FIG. 5 is a bottom elevation view thereof;  
FIG. 6 is a right side elevation view thereof; and,  
FIG. 7 is a left side elevation view thereof.  
The broken lines in the figures show features of the gun cleaning kit case that form no part of the claimed design.

**1 Claim, 3 Drawing Sheets**

- (56) **References Cited**  
U.S. PATENT DOCUMENTS  
D359,392 S \* 6/1995 Bellington ..... D3/262  
D548,971 S \* 8/2007 Lin ..... D3/294  
D563,102 S \* 3/2008 Cornwell ..... D3/294  
D563,670 S \* 3/2008 Cornwell ..... D3/294



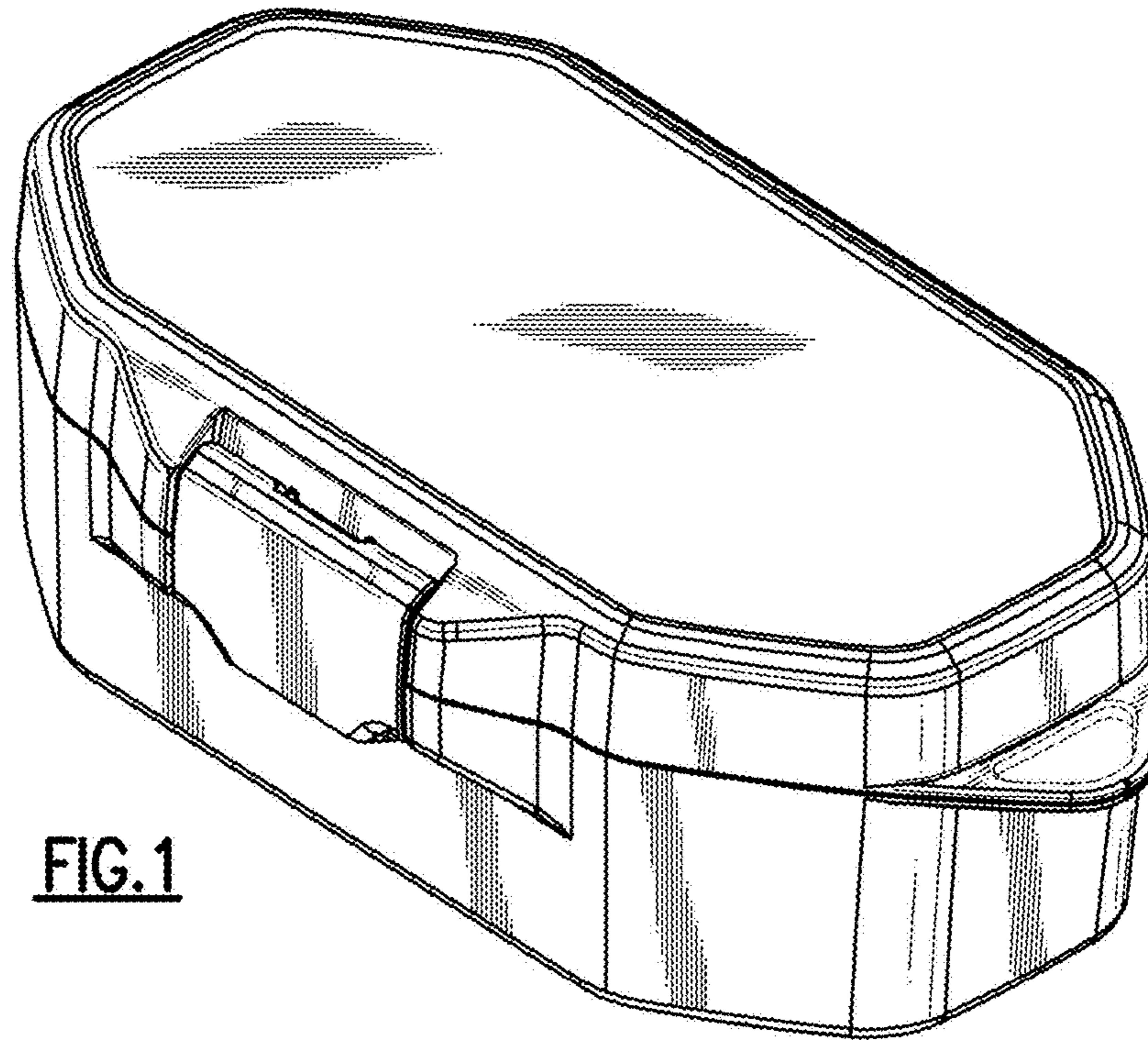


FIG. 1

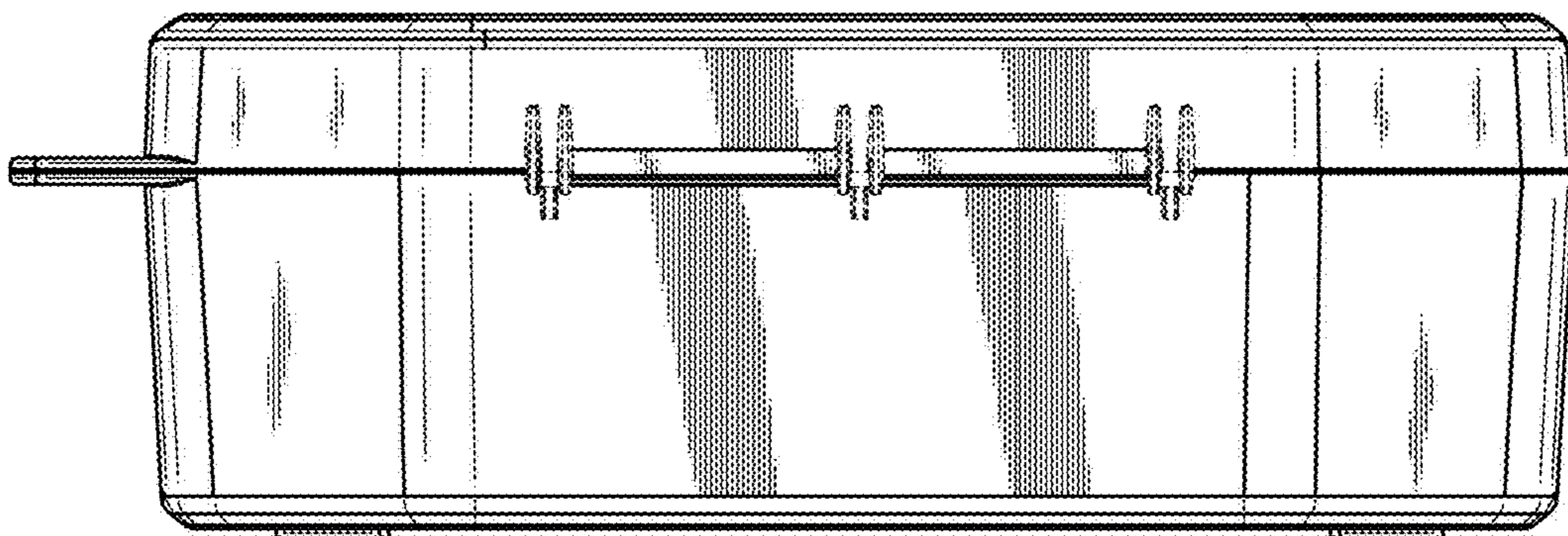
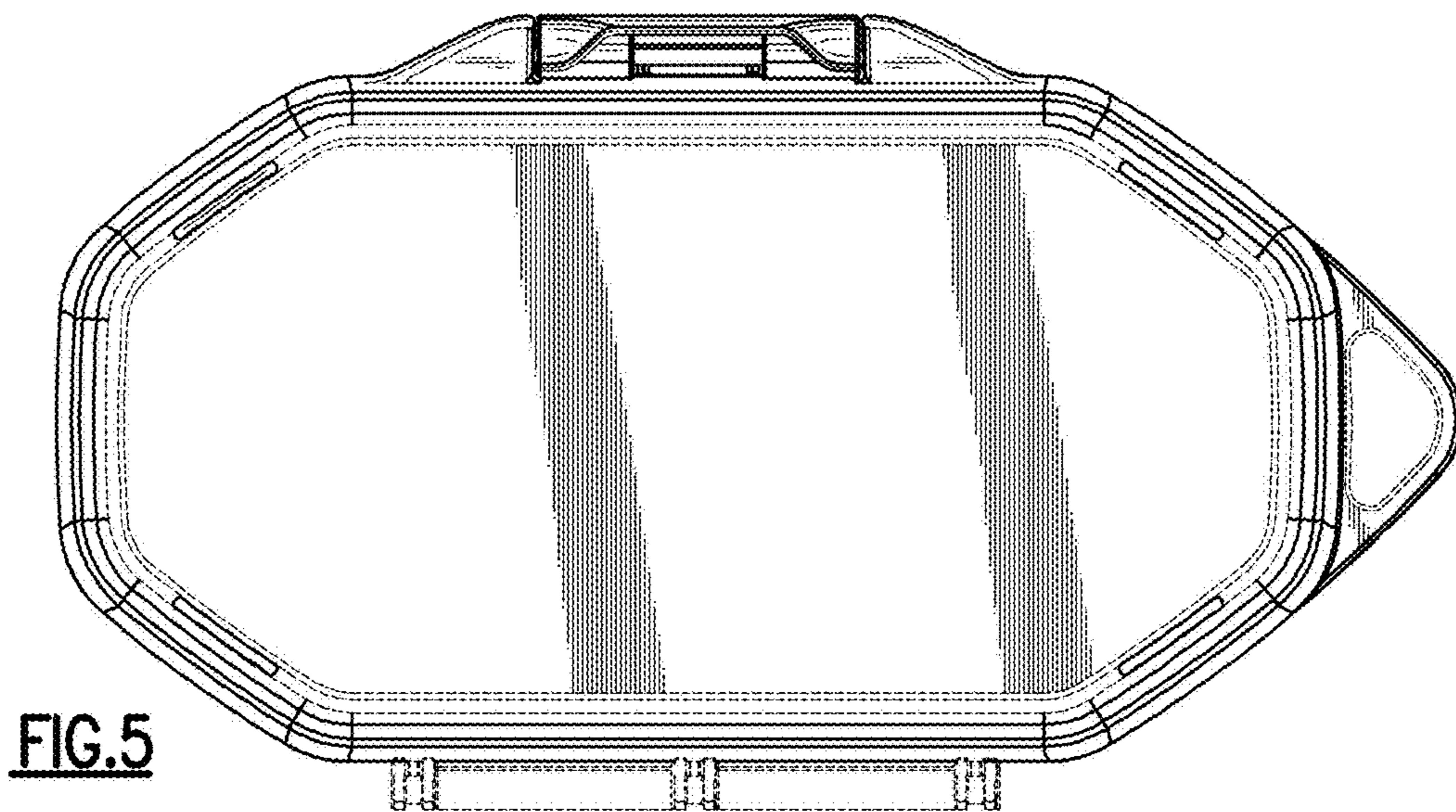
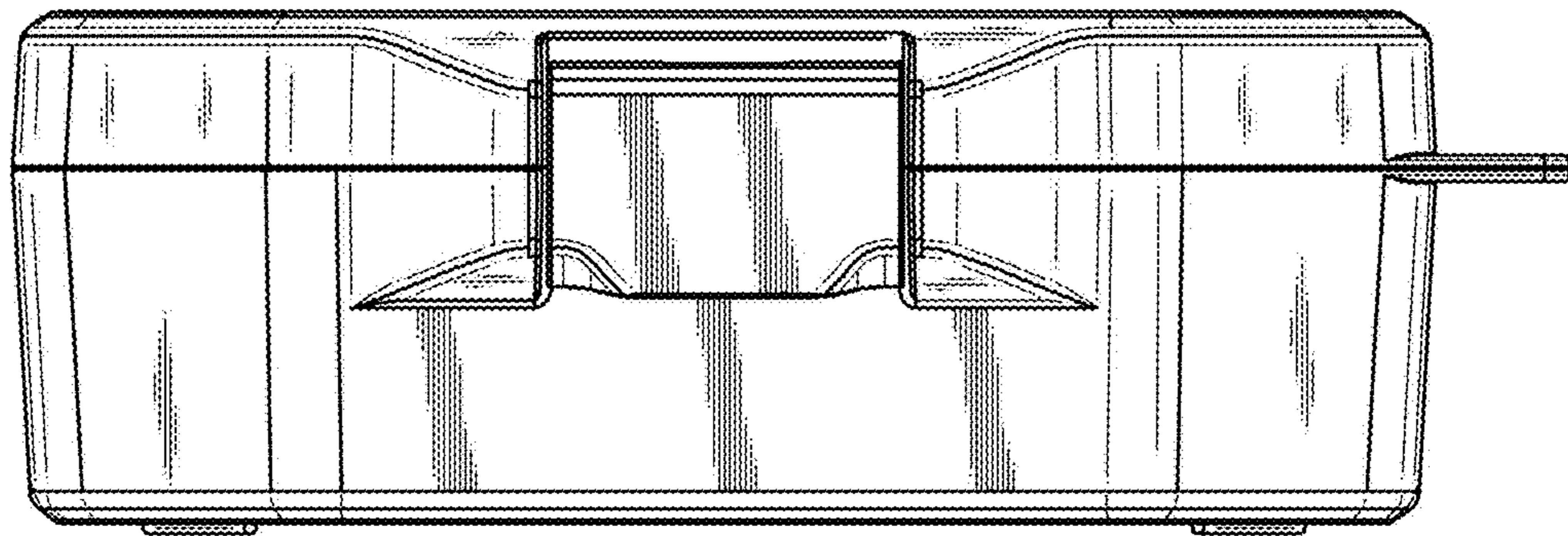
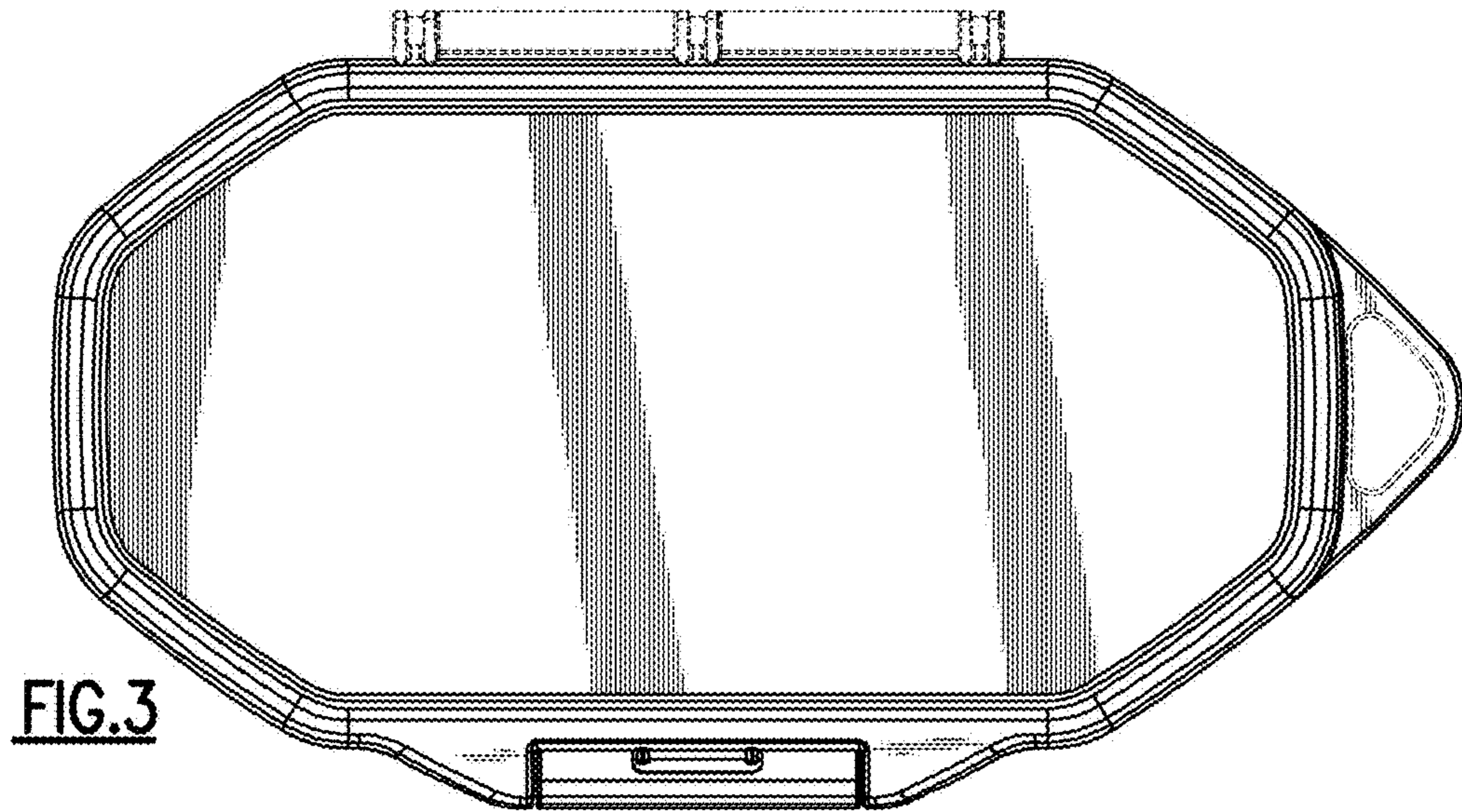


FIG. 2



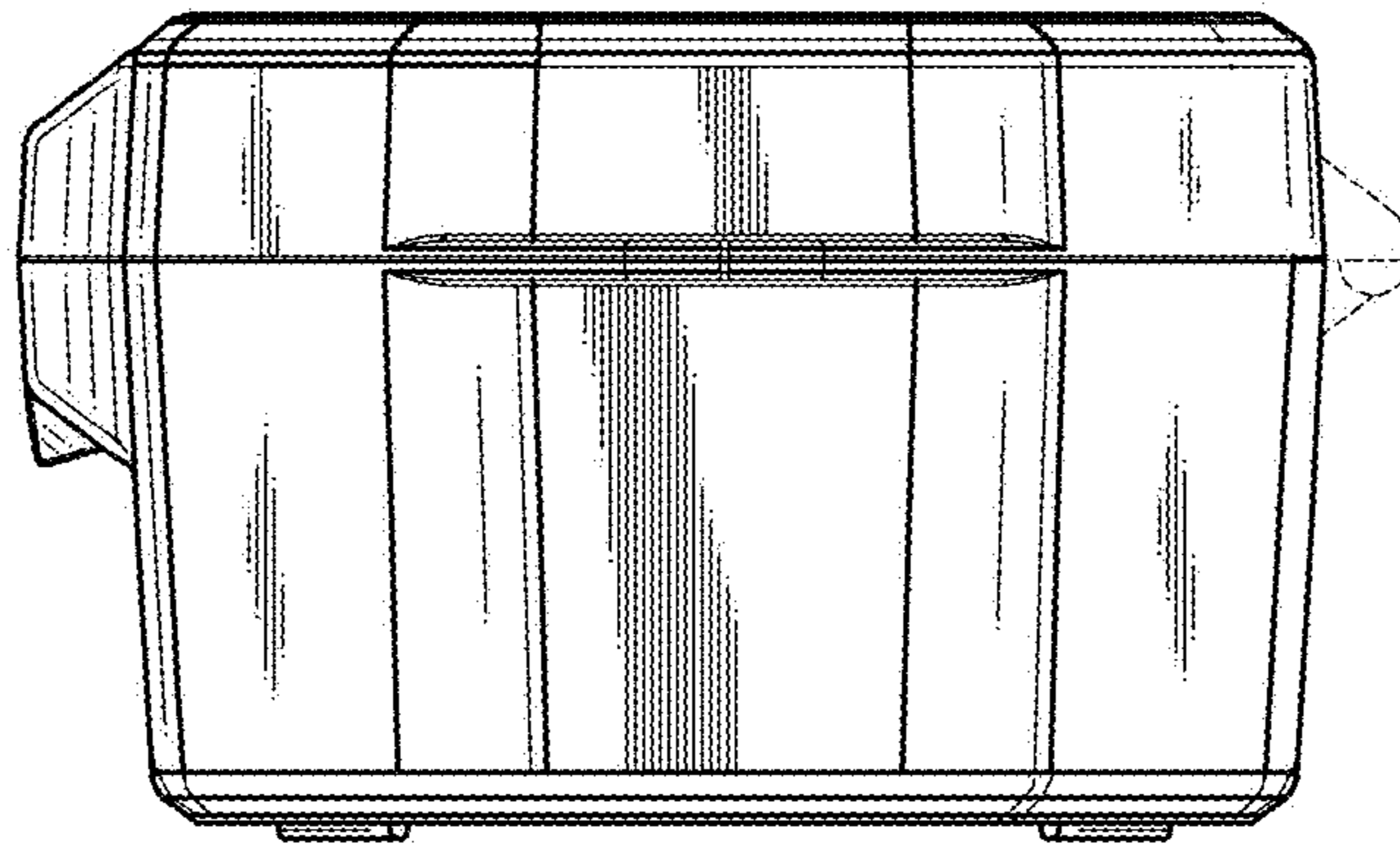


FIG. 6

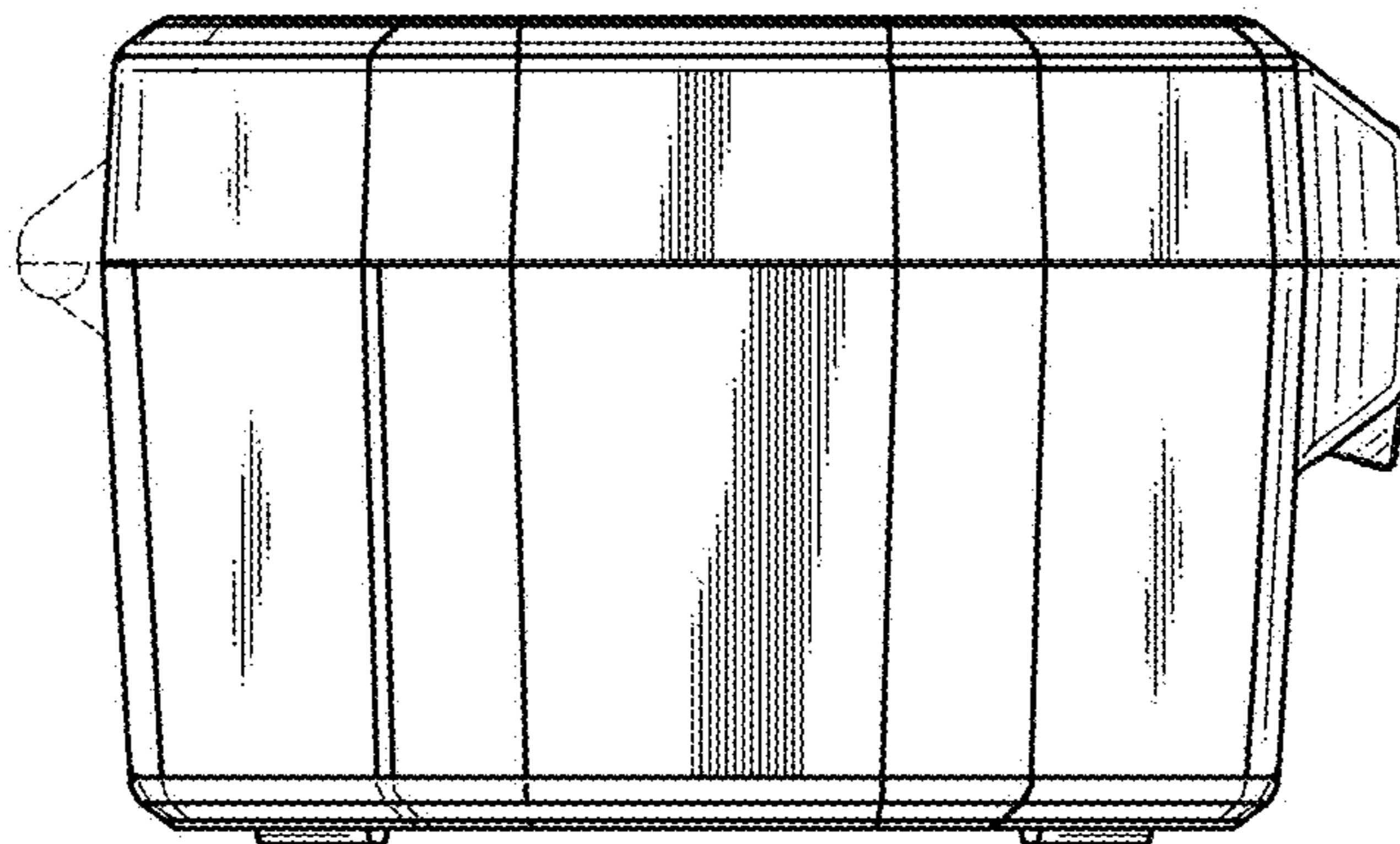


FIG. 7