



US00D858099S

(12) **United States Design Patent**
Zhang et al.

(10) **Patent No.:** **US D858,099 S**
(45) **Date of Patent:** **** Sep. 3, 2019**

(54) **TOOL CABINET**
(71) Applicant: **JiangSu Tongrun Equipment Technology Co., LTD.**, Suzhou, Jiangsu (CN)

4,120,549 A 10/1978 Bureau
D341,253 S 11/1993 Ballman et al.
D393,541 S 4/1998 Calmeise
D430,426 S * 9/2000 Bieker D3/905
(Continued)

(72) Inventors: **Feng Zhang**, Jiangsu (CN); **Jian Shen**, Jiangsu (CN); **Wenjie Pan**, Jiangsu (CN)

OTHER PUBLICATIONS

Lowe's, "Kobalt 23.2-inx27-in 5-Drawer Tool Chest (Silver)", First review Dec. 21, 2010. (<https://www.lowes.com/pd/Kobalt-23-2-in-x-27-in-5-Drawer-Tool-Chest-Silver/1076747>) (Year: 2010).*

(73) Assignee: **JIANGSU TONGRUN EQUIPMENT TECHNOLOGY CO., LTD.**, Suzhou, Jiangsu (CN)

(Continued)

(**) Term: **15 Years**

Primary Examiner — Jennifer Rivard

Assistant Examiner — April Rivas

(21) Appl. No.: **29/642,229**

(74) *Attorney, Agent, or Firm* — Juan Carlos A. Marquez; Marquez IP Law Office, PLLC

(22) Filed: **Mar. 28, 2018**

Related U.S. Application Data

(63) Continuation-in-part of application No. 29/565,504, filed on May 20, 2016, now abandoned.

(57) **CLAIM**

The ornamental design for a tool cabinet, as shown and described.

(30) **Foreign Application Priority Data**

Nov. 24, 2015 (CN) 01530475695
May 10, 2016 (CN) 01630170364

DESCRIPTION

(51) **LOC (12) Cl.** **03-01**

(52) **U.S. Cl.**
USPC **D3/267**; D3/296; D3/905; D6/671.1

(58) **Field of Classification Search**
USPC D3/273, 274, 276, 279, 282, 294, 296, D3/297, 905, 307, 313, 310; D6/667, D6/671, 671.1, 705, 706
CPC B25H 3/00; B25H 3/003; B25H 3/006; B25H 3/02; H02J 7/0027
See application file for complete search history.

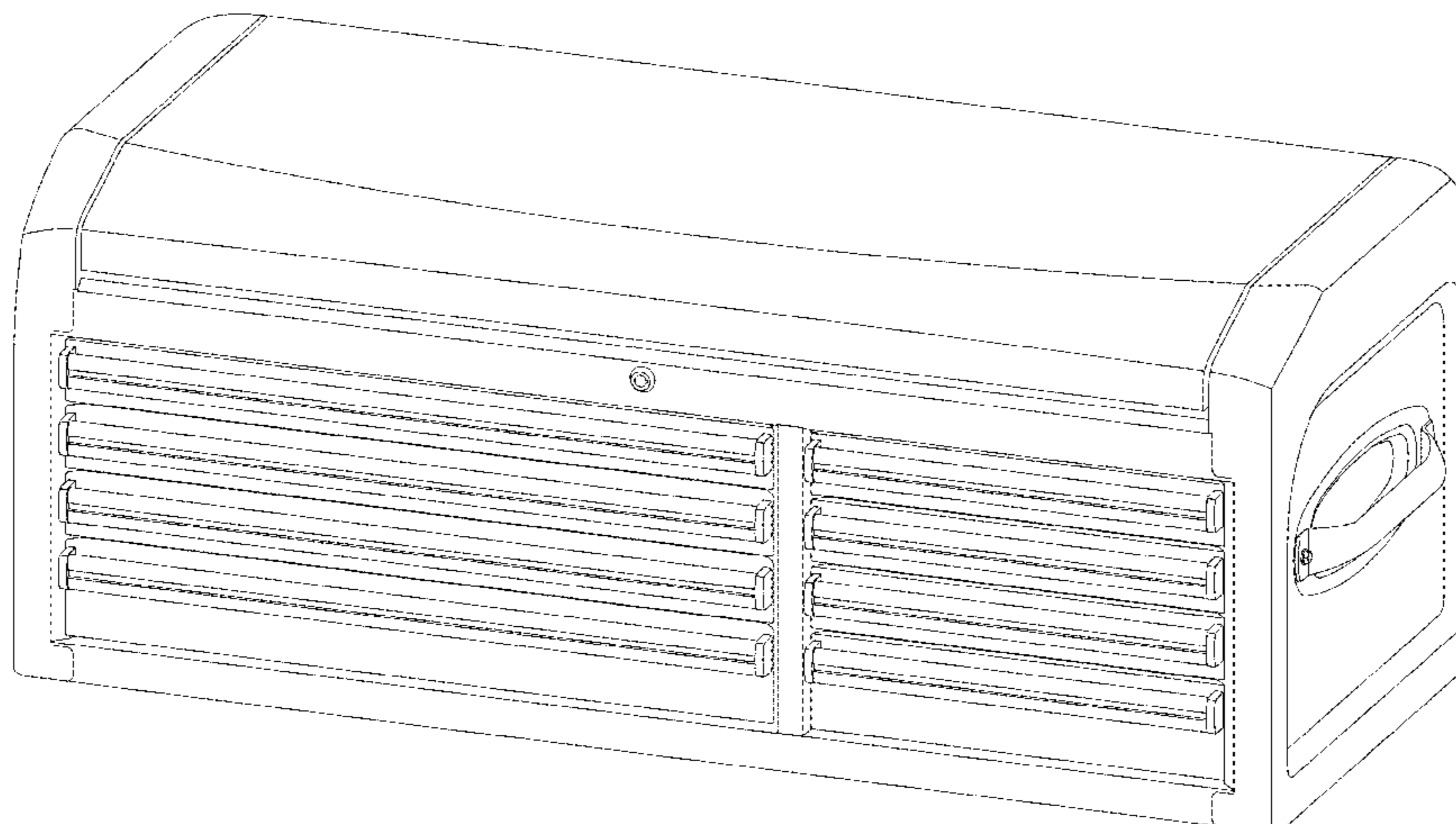
FIG. 1 is a perspective view of a design for the tool cabinet; FIG. 2 is a front elevational view of the tool cabinet shown in FIG. 1; FIG. 3 is a rear elevational view of the tool cabinet shown in FIG. 1; FIG. 4 is a left side elevational view of the tool cabinet shown in FIG. 1; FIG. 5 is a right side elevational view of the tool cabinet shown in FIG. 1; FIG. 6 is a top plan view of the tool cabinet shown in FIG. 1; and, FIG. 7 is a bottom plan view of the tool cabinet shown FIG. 1.

(56) **References Cited**

U.S. PATENT DOCUMENTS

D205,522 S * 8/1966 Doman D3/297
D218,080 S * 7/1970 Sierzega D3/297

1 Claim, 7 Drawing Sheets



(56)

References Cited

U.S. PATENT DOCUMENTS

D434,225	S	11/2000	Story et al.	
D448,168	S	9/2001	Johnston	
D517,805	S	3/2006	Hosking	
D587,014	S	2/2009	Hand	
D611,273	S	3/2010	Kohagen et al.	
D647,300	S	10/2011	Shitrit et al.	
D666,817	S *	9/2012	Koehn	D3/284
D668,474	S *	10/2012	Lim	D6/667
D728,932	S	5/2015	Horovitz et al.	
D733,470	S *	7/2015	Troyner	D6/671.1
D747,875	S	1/2016	Manalang et al.	
D764,797	S *	8/2016	Horovitz	D3/276
D779,200	S *	2/2017	Caglar	D3/273
D803,560	S *	11/2017	Kuhls	D3/281
9,815,189	B1 *	11/2017	Liu	B25H 3/00
D809,831	S *	2/2018	Moyer	D6/667
2010/0224527	A1 *	9/2010	Huang	B25H 3/028 206/503
2013/0221820	A1	8/2013	Chang	
2016/0128471	A1	5/2016	Chang	
2018/0056499	A1 *	3/2018	Liu	B25H 3/00

OTHER PUBLICATIONS

Torque Toolboxes, "Beta Tools—8-Drawer, Tool Chest—C38T", Accessed Apr. 9, 2019. (<https://www.torquetoolboxes.com/collections/tool-chest/products/beta-tools-8-drawer-tool-chest-c38t?variant=36477282435>) (Year: 2019).*

Seattle Tool, "42" Elite Series Tool Chest—8 Drawers", Accessed Apr. 9, 2019. (<https://seattletool.ca/products/42-8-drawer-tool-chest-matte-blue>) (Year: 2019).*

Lowe's, "Kobalt 20.6-in 3-Drawer Black Steel Lockable Tool Box", First reviewed on Jun. 18, 2014. Accessed Feb. 17, 2017. (<https://www.lowes.com/pd/Kobalt-20-6-in-3-Drawer-Black-Steel-Lockable-Tool-Box/50175939>).

The Original Pink Box, "41" 9-Drawer Chest", Accessed on Feb. 17, 2017. (<https://theoriginalpinkbox.com/product/41-inch-9-drawer-chest/>).

JiangSu Tongrun Tool Cabinet Co., Ltd, "TBT9004-X", Accessed on Feb. 17, 2017. (<http://www.tongrunindustries.com/eng/lish/2008-6/27/prddetail-274.html>).

* cited by examiner

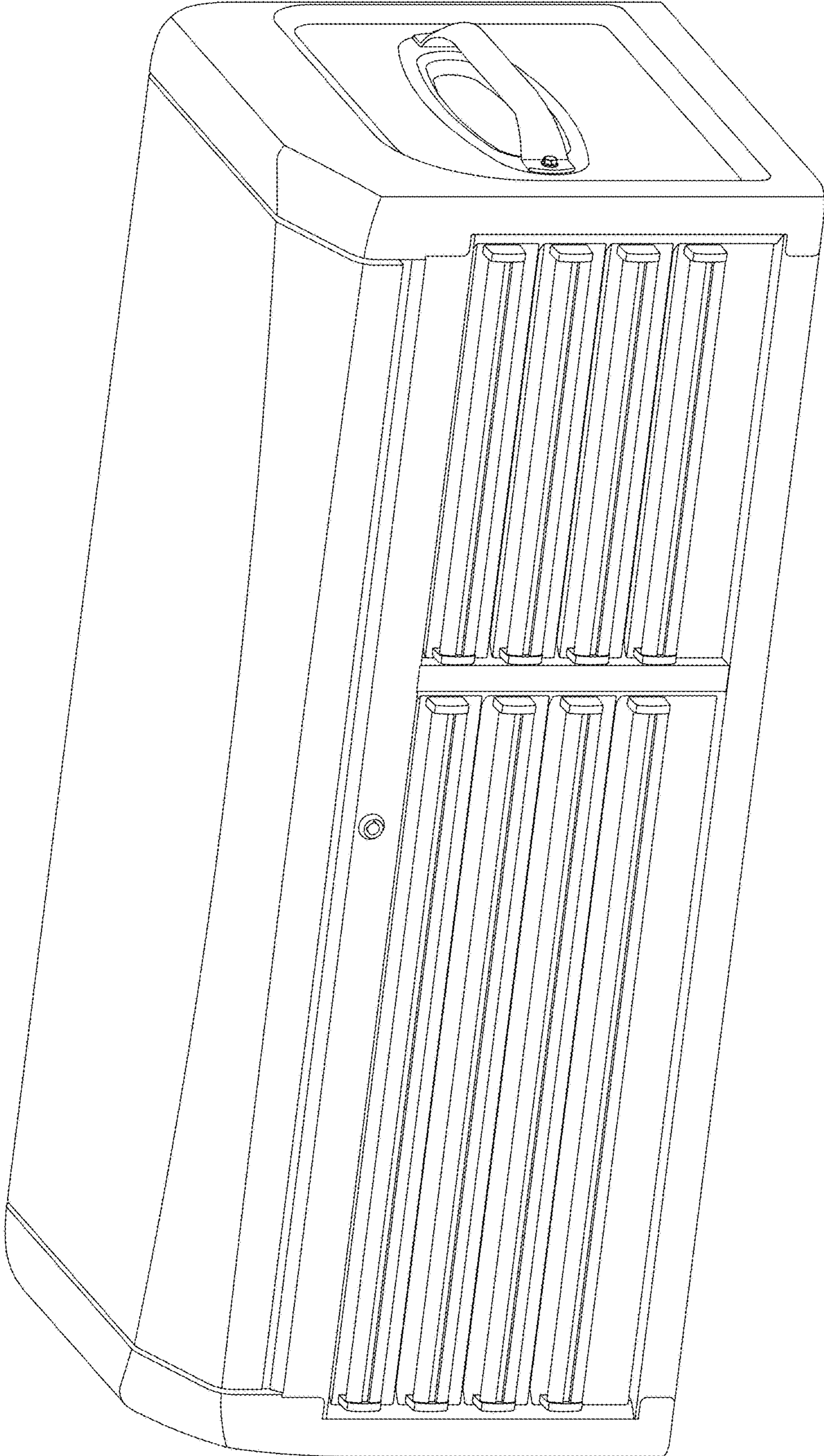


FIG. 1

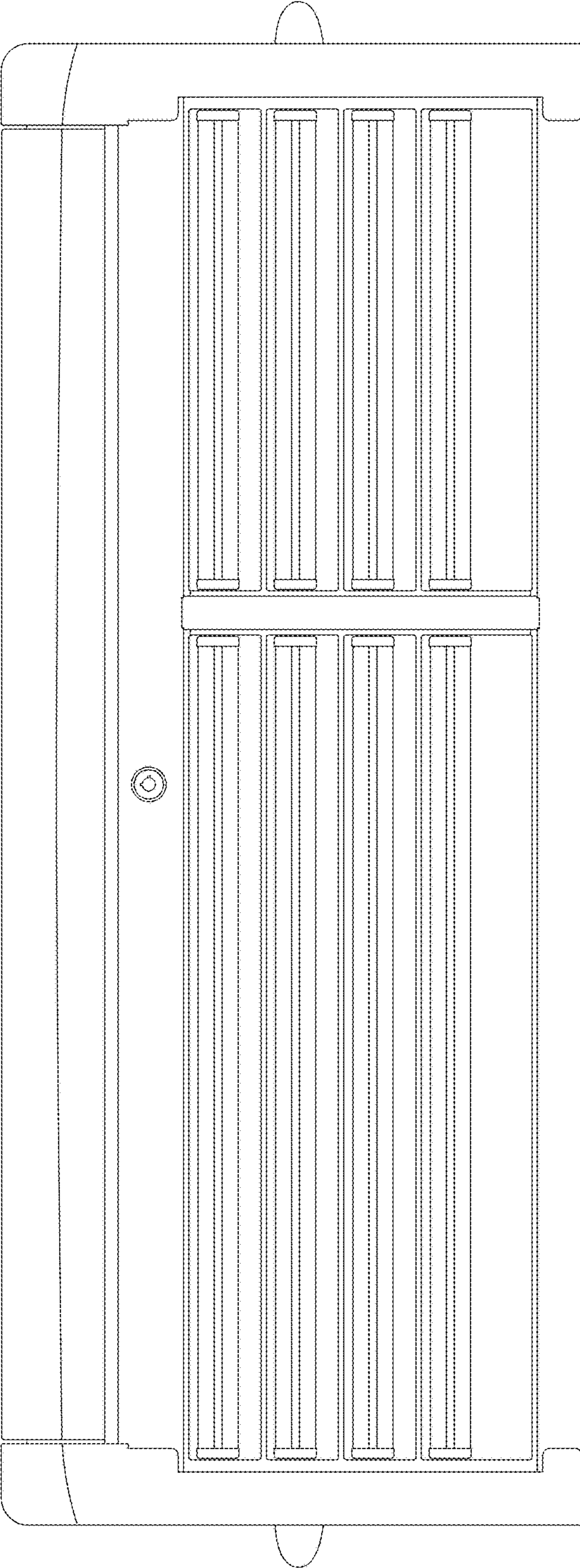


FIG. 2

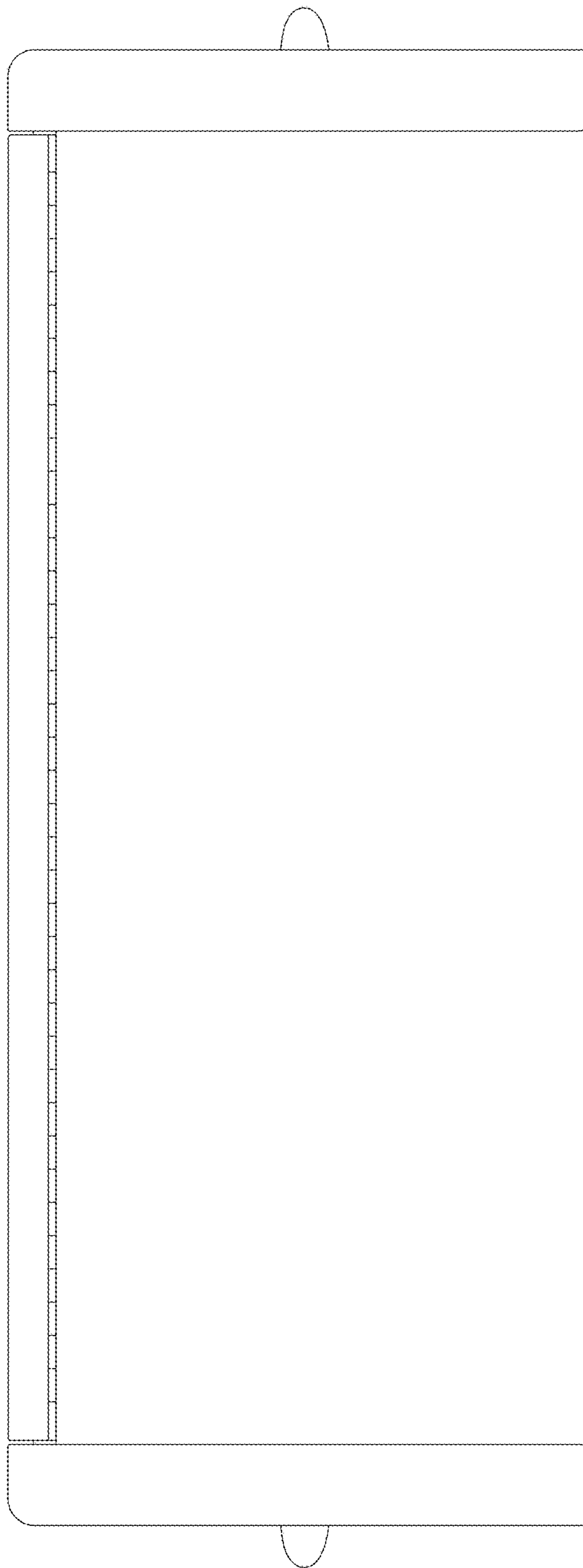


FIG. 3

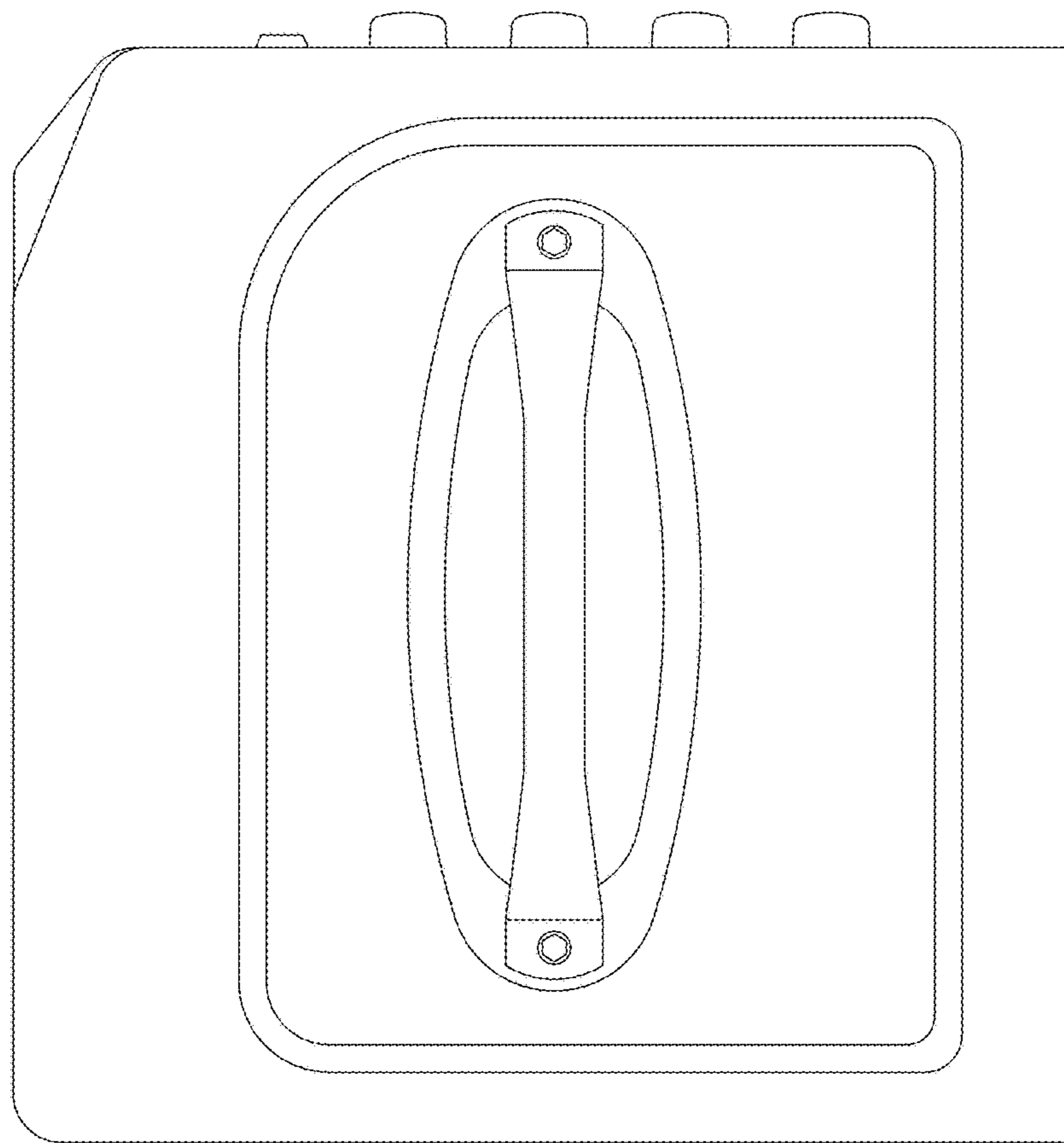


FIG. 4

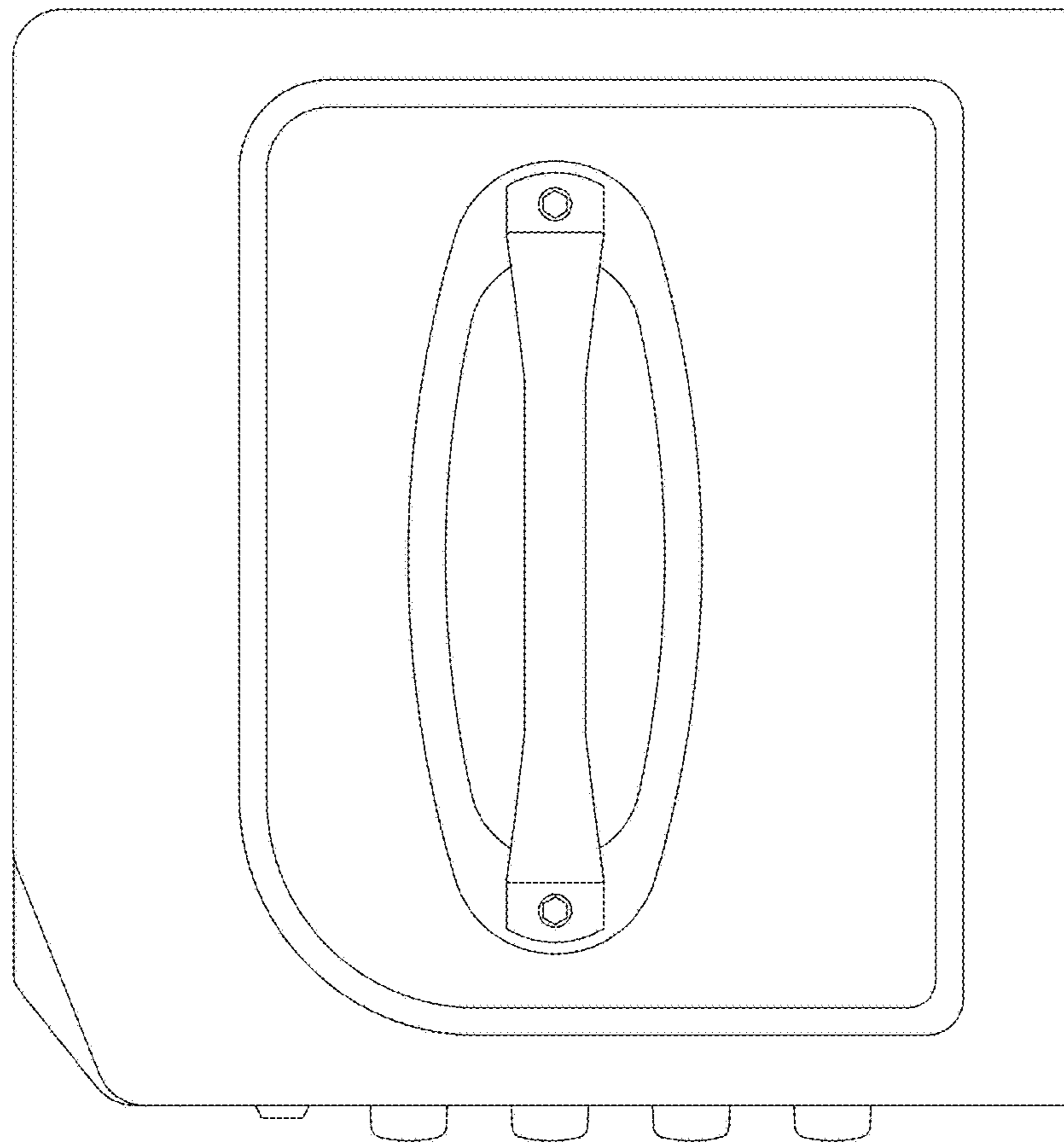


FIG. 5

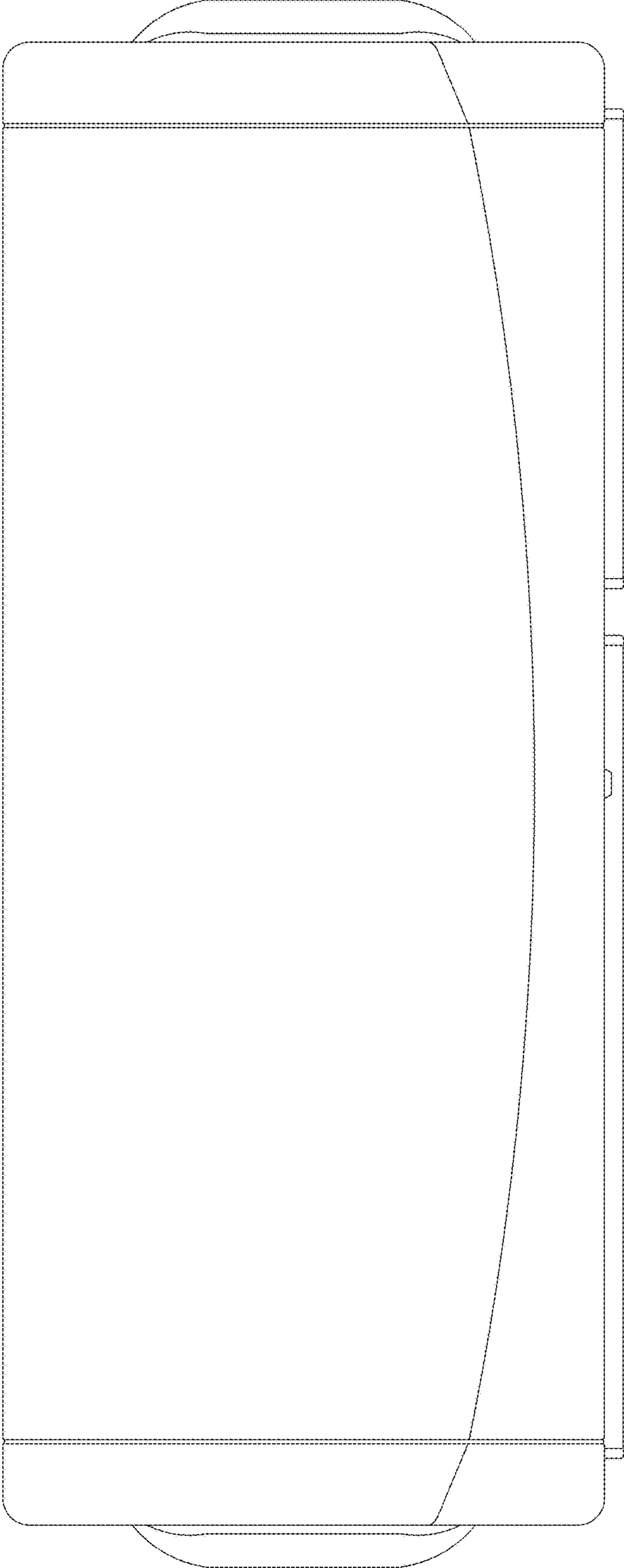


FIG. 6

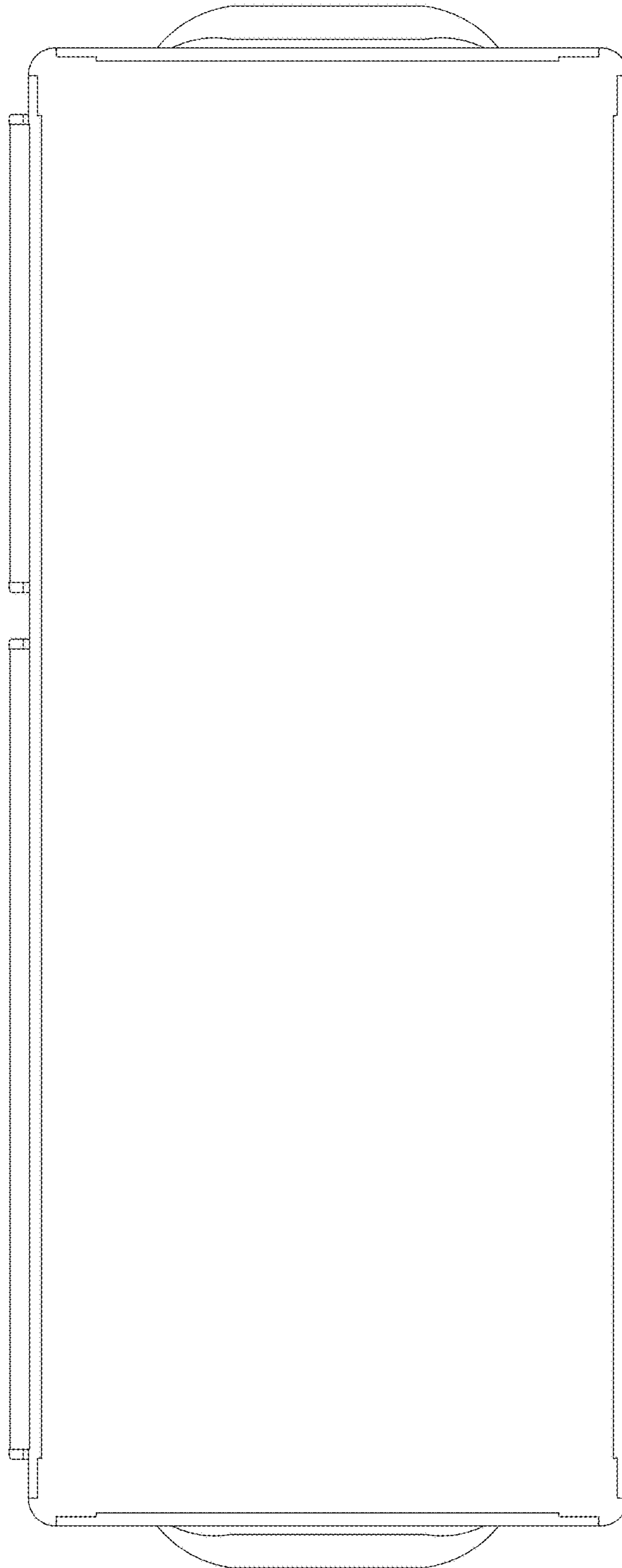


FIG. 7