



US00D858098S

(12) **United States Design Patent** (10) **Patent No.:** **US D858,098 S**
Natsume et al. (45) **Date of Patent:** **** Sep. 3, 2019**

(54) **HEAD MOUNTED AUDIO-VISUAL DISPLAY SYSTEM CASE INSERT**

(71) Applicant: **MAGIC LEAP, INC.**, Plantation, FL (US)

(72) Inventors: **Shigeru Natsume**, Weston, FL (US); **Bradley Fraser**, Miami Beach, FL (US); **Haney Awad**, Fort Lauderdale, FL (US); **Sebastian Gonzalo Arrieta Günther**, Fort Lauderdale, FL (US); **Masamune Kaji**, Plantation, FL (US); **William Wheeler**, Los Angeles, CA (US)

(73) Assignee: **Magic Leap, Inc.**, Plantation, FL (US)

(**) Term: **15 Years**

(21) Appl. No.: **29/625,037**

(22) Filed: **Nov. 6, 2017**

(51) **LOC (12) Cl.** **03-01**

(52) **U.S. Cl.**
USPC **D3/263**

(58) **Field of Classification Search**
USPC D3/207, 215, 219, 229, 263–268, 301;
D12/417; D16/330, 339; 24/3.3, 3.7,
(Continued)

(56) **References Cited**

U.S. PATENT DOCUMENTS

D49,217 S * 6/1916 King D3/265
2,106,726 A * 2/1938 Draeger G03B 21/323
206/389

(Continued)

OTHER PUBLICATIONS

Notice of Allowance dated Feb. 14, 2019 for U.S. Appl. No. 29/625,035, 10 pages.

(Continued)

Primary Examiner — T Chase Nelson
(74) *Attorney, Agent, or Firm* — Vista IP Law Group, LLP

(57) **CLAIM**

We claim the ornamental design for a head mounted audio-visual display system case insert, as shown and described.

DESCRIPTION

FIG. 1 is a perspective view thereof in a first open configuration with the case depicted in broken lines;

FIG. 2 is a perspective view thereof in the first open configuration with the case and components of a head mounted audio-visual display system contained in the case depicted in broken lines;

FIG. 3 is a top view thereof in the first open configuration with the case depicted in broken lines;

FIG. 4 is a top view thereof in the first open configuration with the case and components of a head mounted audio-visual display system contained in the case depicted in broken lines;

FIG. 5 is a perspective view thereof in a second open configuration with the case depicted in broken lines;

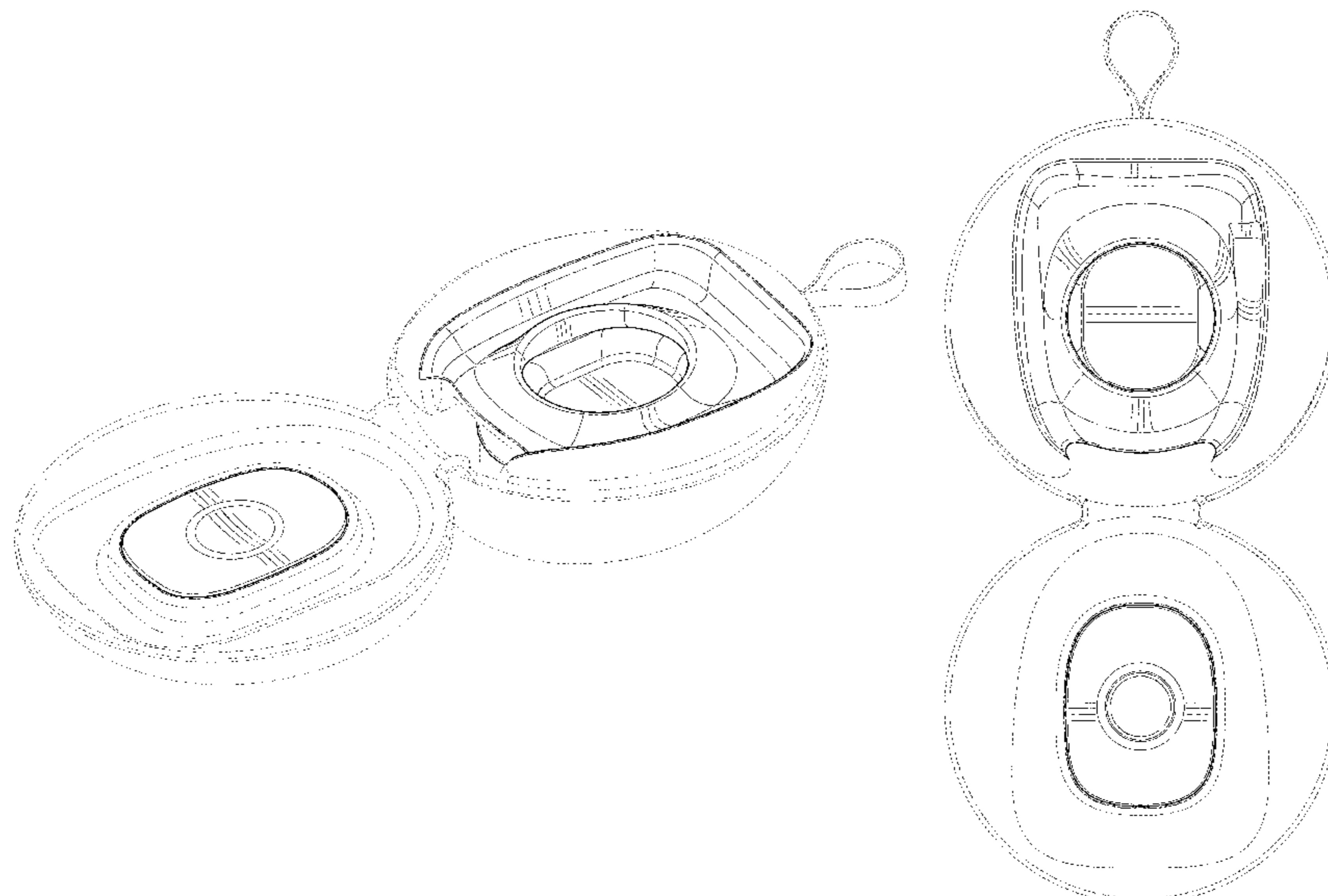
FIG. 6 is a perspective view thereof in a third open configuration with the case depicted in broken lines;

FIG. 7 is a top view thereof in the third open configuration with the case depicted in broken lines; and,

FIG. 8 is a top view thereof in the third open configuration with the case and components of a head mounted audio-visual display system contained in the case depicted in broken lines.

The broken lines depicting the case and various objects storable in the case for head mounted audio-visual display system are included for the purpose of illustrating environmental structure and form no part of the claimed design.

1 Claim, 8 Drawing Sheets



US D858,098 S

Page 2

(58) **Field of Classification Search**

USPC 24/3.8, 563; 206/5, 5.1, 6; 248/902;
351/112, 155; D6/632
CPC A45C 11/04; A47F 7/02; A47F 7/021
See application file for complete search history.

(56) **References Cited**

U.S. PATENT DOCUMENTS

2,490,222 A * 12/1949 Lowe A45C 5/08
190/119
2,875,869 A * 3/1959 Friedman A45C 11/02
206/8
4,838,709 A * 6/1989 Guerriero A45C 3/00
150/107
4,934,527 A * 6/1990 Ho A45C 11/24
206/214
5,000,204 A * 3/1991 Smith G02C 13/006
134/6
D383,620 S * 9/1997 Smith D6/407
D435,385 S * 12/2000 Eskandry D3/218
D484,731 S * 1/2004 Tung D3/270
D488,020 S * 4/2004 Fung D3/270
D489,529 S * 5/2004 Vish D3/218
D491,364 S * 6/2004 Vish D3/218
D511,895 S * 11/2005 Vish D3/318
D517,364 S * 3/2006 Nieves D6/407
D539,034 S * 3/2007 Friedman D3/271.9
D546,670 S * 7/2007 Sainz D9/420
D547,103 S * 7/2007 Huang D6/407
7,458,456 B2 * 12/2008 Hogan A45C 11/005
206/5
D645,251 S * 9/2011 Lee A45C 11/04
D3/301
D681,936 S * 5/2013 Basas D3/203.2

D695,014 S * 12/2013 Mori B65H 75/4465
D3/264
D712,144 S * 9/2014 Albanese D3/301
8,881,893 B1 * 11/2014 Cheng A45C 11/04
206/6
D718,528 S * 12/2014 Garavaglia D3/264
9,084,462 B2 * 7/2015 Michael A45C 11/16
D740,018 S * 10/2015 Zhang D3/201
D765,975 S * 9/2016 Hoofnagle D3/215
D767,986 S * 10/2016 Epstein D3/289
D797,449 S * 9/2017 Peng D3/301
9,839,271 B1 * 12/2017 Fawcett A45C 11/005
D808,161 S * 1/2018 Herring D3/267
D808,656 S * 1/2018 Zheng D3/319
D809,292 S * 2/2018 Mason A45C 3/00
D3/265
D810,431 S * 2/2018 Kim A45C 11/02
D3/266
D811,740 S * 3/2018 Harrison A45C 5/08
D3/264
D816,278 S * 4/2018 Keil D30/129
D820,593 S * 6/2018 Harrison D3/264
D832,208 S * 10/2018 Grois D13/108
10,117,485 B2 * 11/2018 Solland B65H 75/4465

OTHER PUBLICATIONS

Ex Parte Quayle Action dated Feb. 8, 2019 for U.S. Appl. No. 29/625,036, 12 pages.
Response to Ex Parte Quayle Office Action filed Apr. 4, 2019 for U.S. Appl. No. 29/625,036.
Notice of Allowance dated Apr. 24, 2019 for U.S. Appl. No. 29/625,036.

* cited by examiner

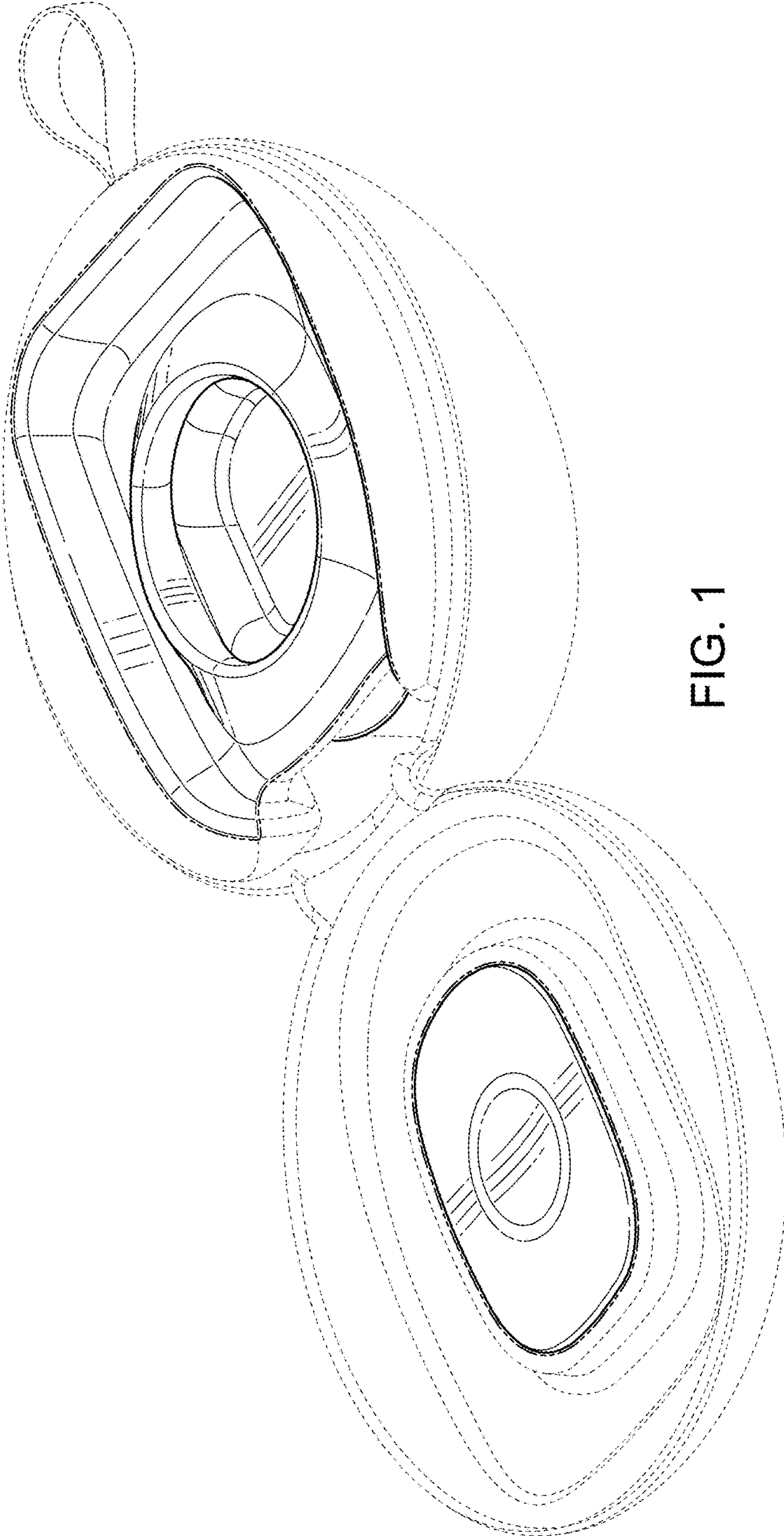


FIG. 1

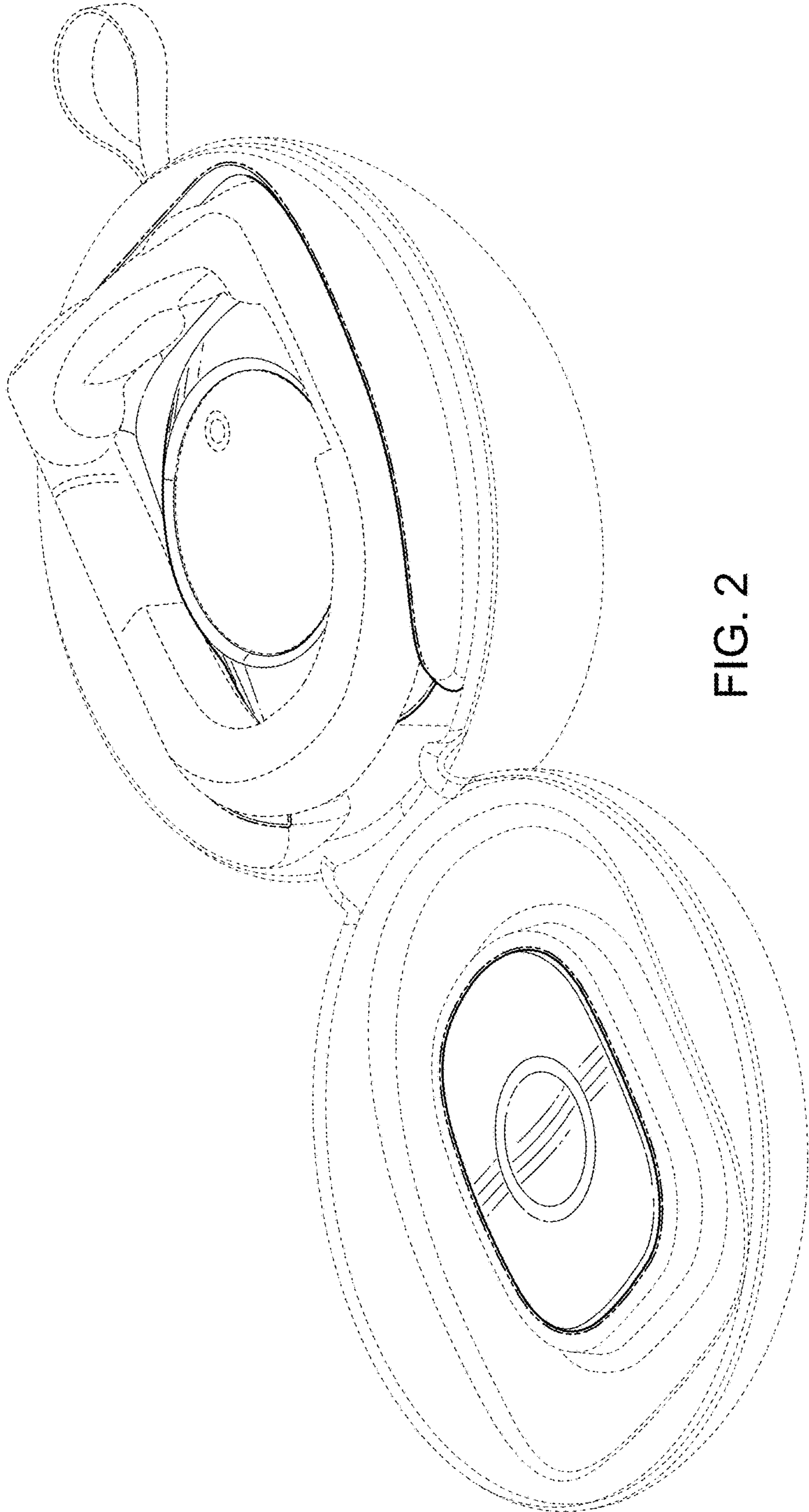


FIG. 2

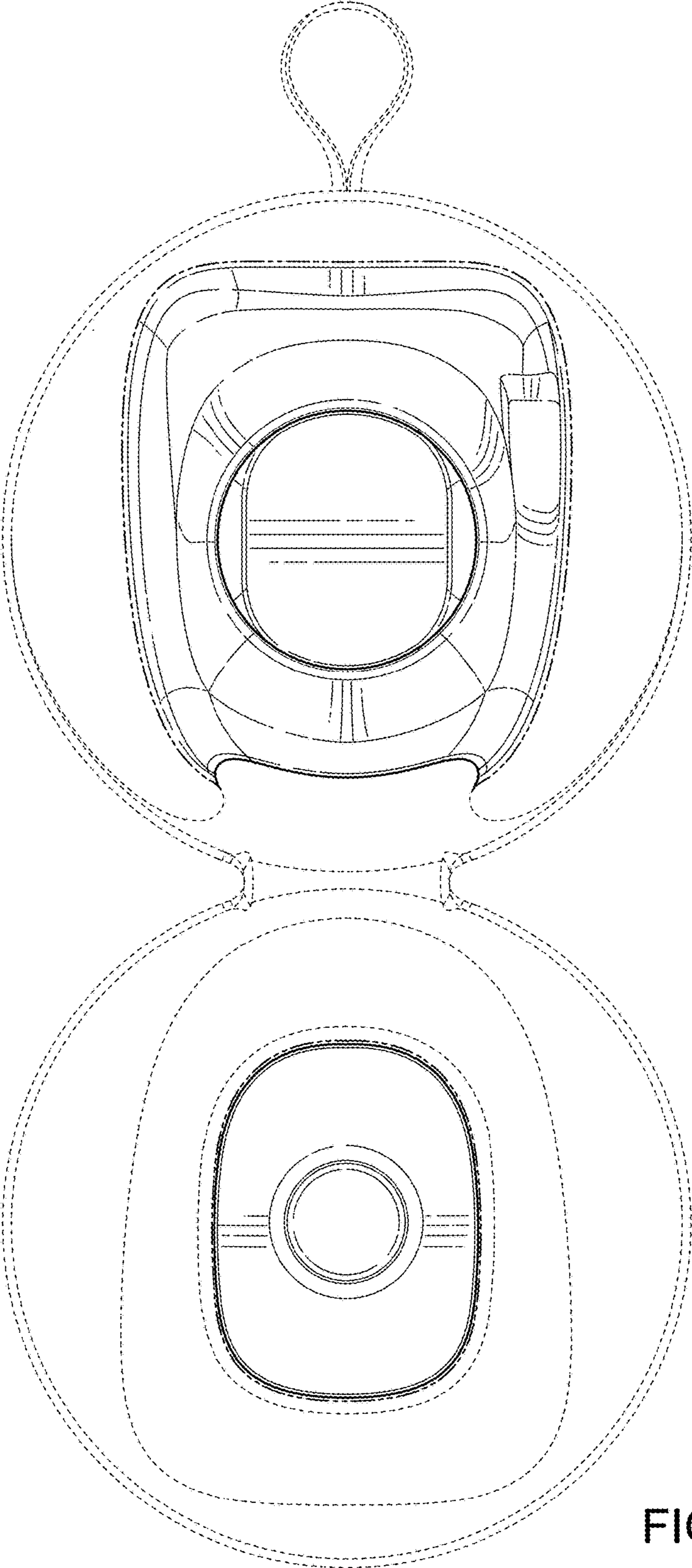


FIG. 3

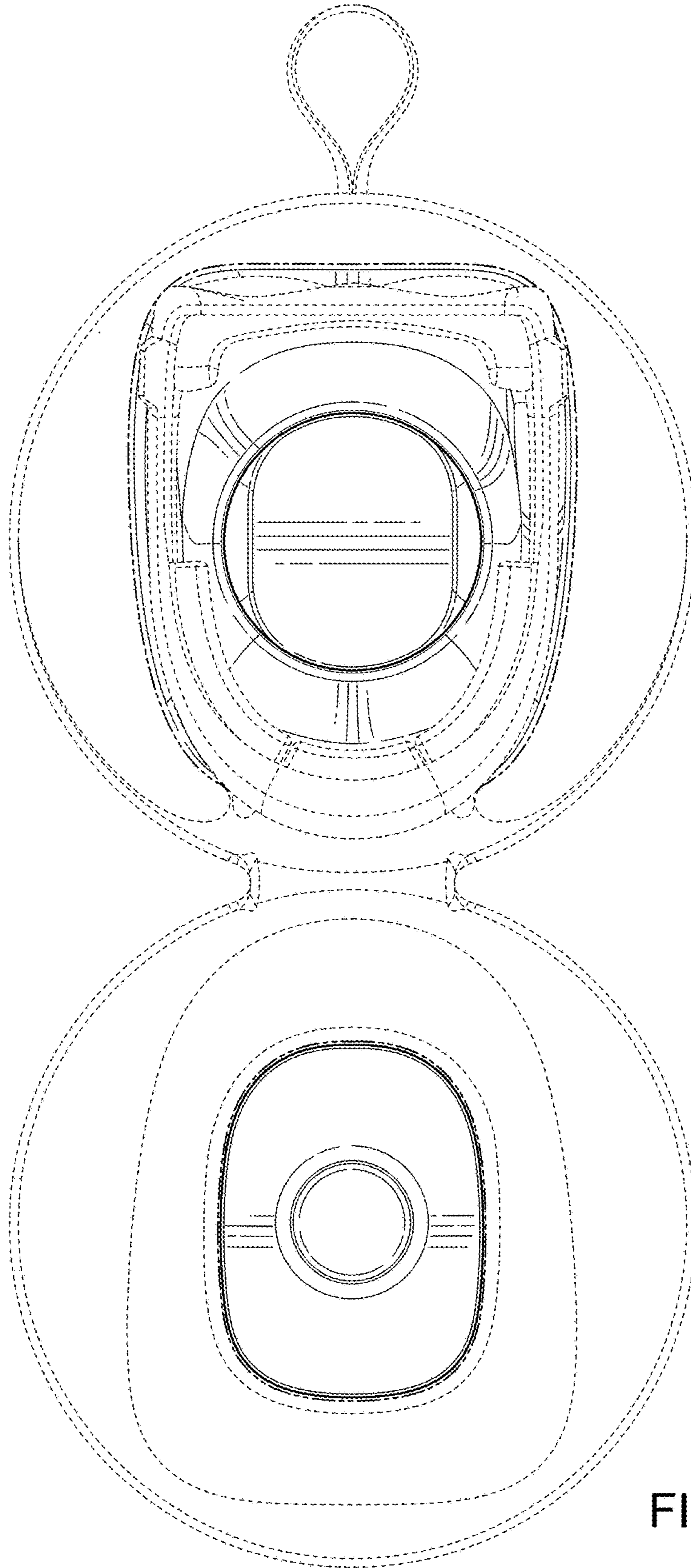


FIG. 4

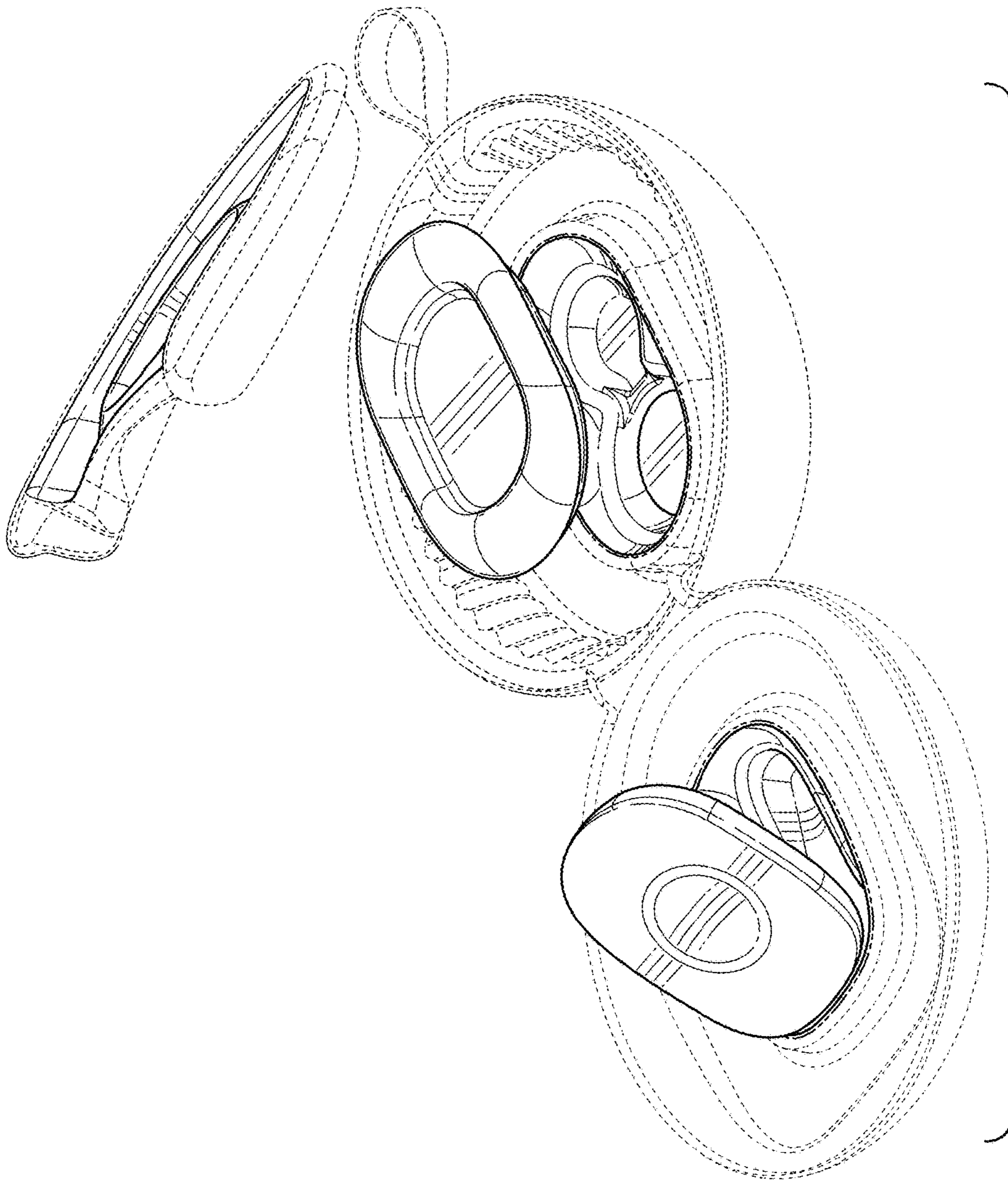


FIG. 5

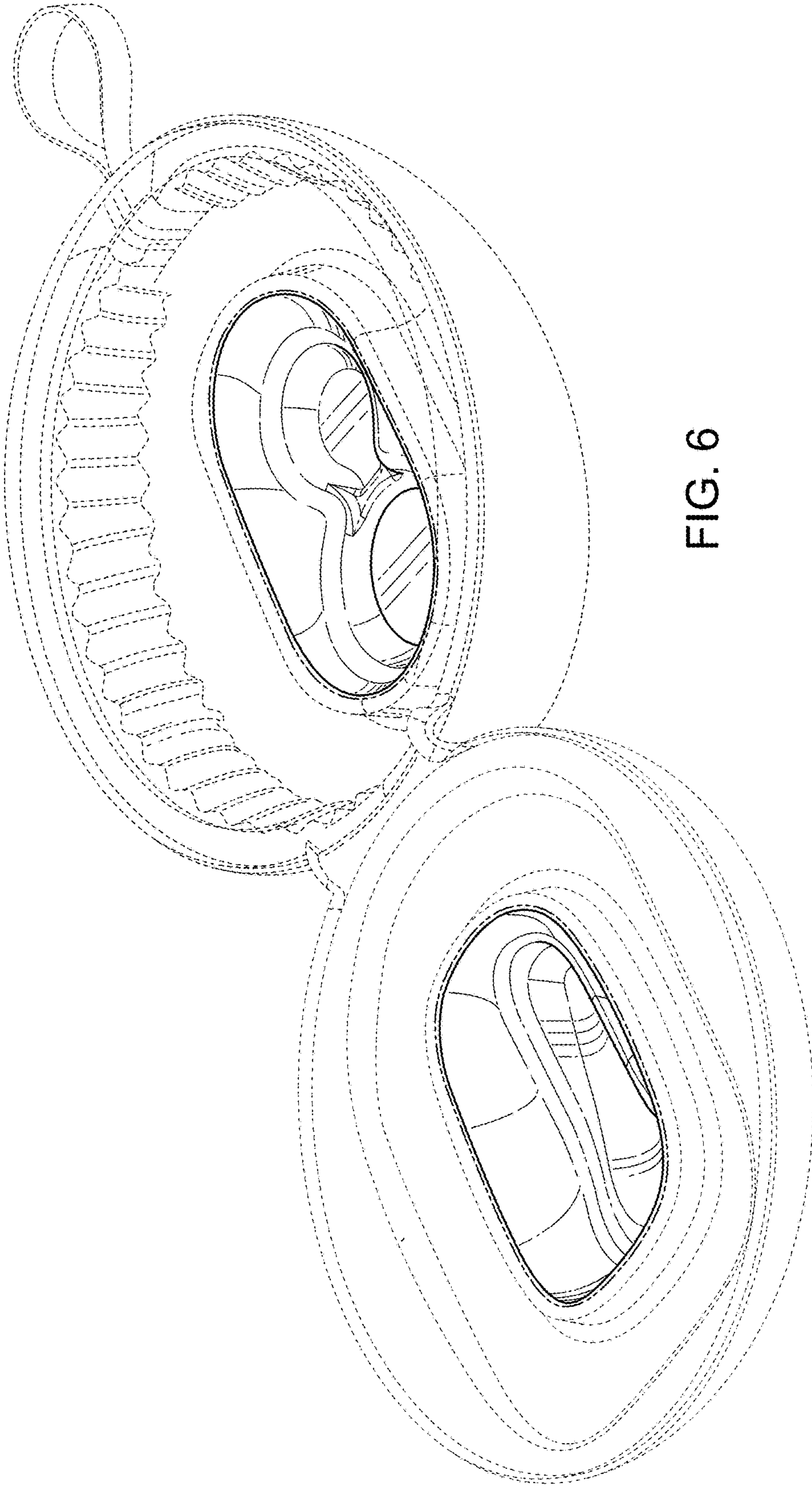


FIG. 6

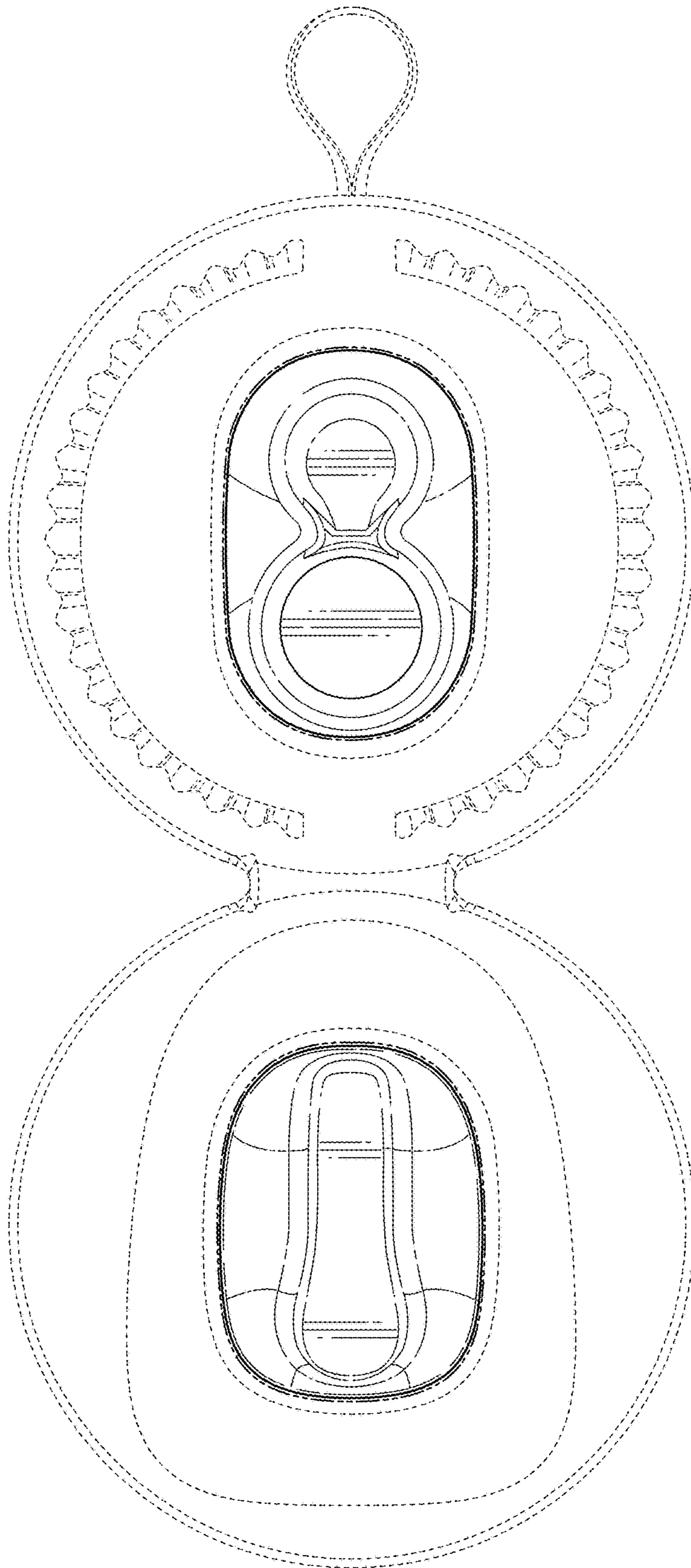


FIG. 7

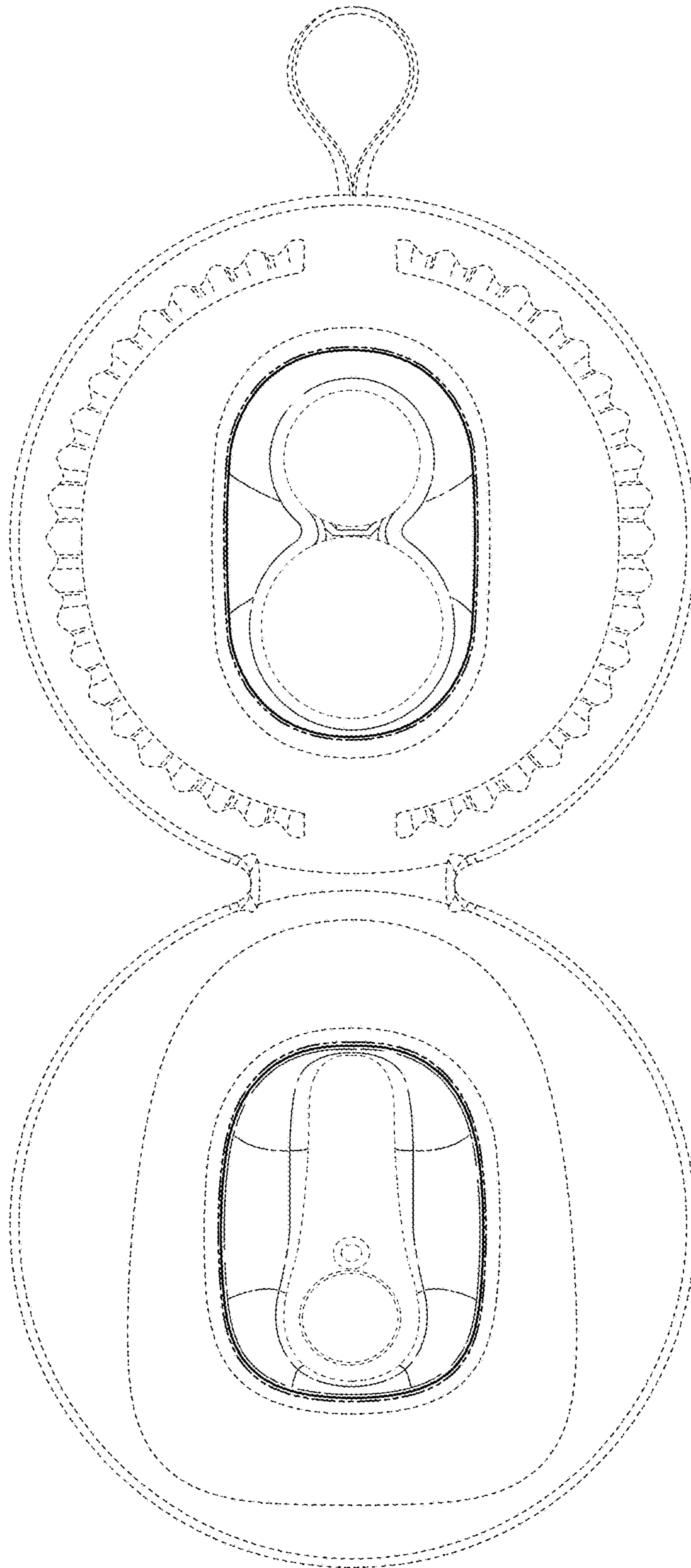


FIG. 8