



US00D858096S

(12) **United States Design Patent** (10) **Patent No.:** **US D858,096 S**  
**Liu** (45) **Date of Patent:** **\*\* Sep. 3, 2019**

(54) **MULTIFUNCTIONAL WALLET**  
(71) Applicant: **Shenzhen iCase Technology Co., Ltd.**,  
Shenzhen (CN)  
(72) Inventor: **Ying Liu**, Shenzhen (CN)  
(\*\*) Term: **15 Years**  
(21) Appl. No.: **29/643,366**  
(22) Filed: **Apr. 7, 2018**  
(51) **LOC (12) Cl.** ..... **03-01**  
(52) **U.S. Cl.**  
USPC ..... **D3/249**  
(58) **Field of Classification Search**  
USPC ..... D3/247, 249–253  
CPC ..... A45C 1/06; A45C 3/08  
See application file for complete search history.

D803,558 S \* 11/2017 Liu ..... D3/247  
D804,815 S \* 12/2017 Chen ..... D3/247  
D831,955 S \* 10/2018 Brandt ..... D3/232

\* cited by examiner

*Primary Examiner* — Holly H Baynham  
(74) *Attorney, Agent, or Firm* — W&K IP

(57) **CLAIM**

The ornamental design for a multifunctional wallet, as shown and described.

**DESCRIPTION**

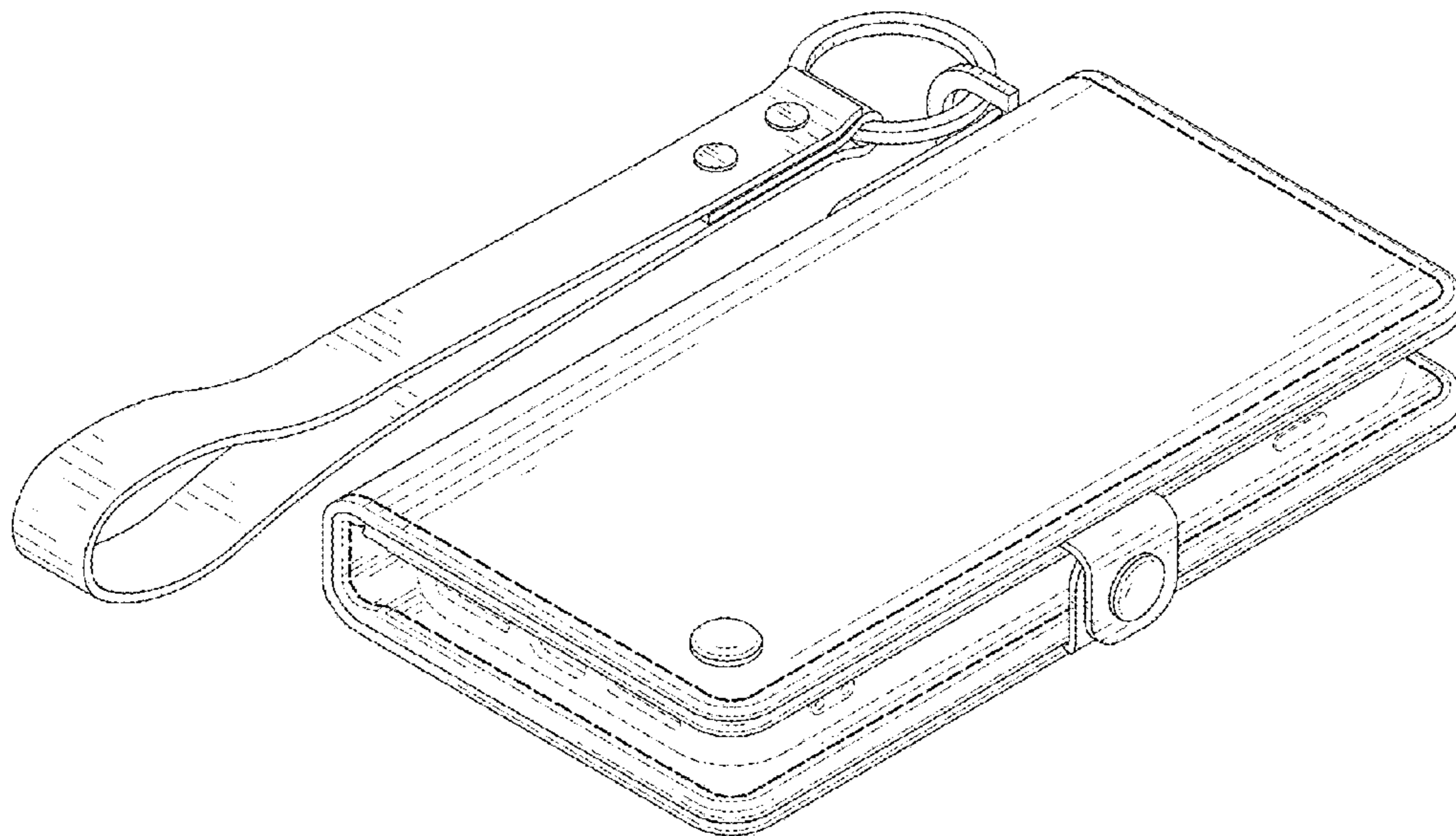
FIG. 1 is a perspective view of a multifunctional wallet;  
FIG. 2 is second perspective view thereof;  
FIG. 3 is a front view thereof;  
FIG. 4 is a back view thereof;  
FIG. 5 is a left side view thereof;  
FIG. 6 is a right side view thereof;  
FIG. 7 is a top view thereof;  
FIG. 8 is a bottom view thereof;  
FIG. 9 is an open state view thereof; and,  
FIG. 10 is another open state view thereof.  
The broken lines in the drawing depict portions of the multifunctional wallet that form no part of the claimed design.

(56) **References Cited**

**U.S. PATENT DOCUMENTS**

D482,162 S \* 11/2003 Bostroem ..... D28/77  
D742,115 S \* 11/2015 Besner ..... D3/249  
D761,563 S \* 7/2016 Requa ..... D3/249  
D794,952 S \* 8/2017 Feng ..... D3/247

**1 Claim, 10 Drawing Sheets**



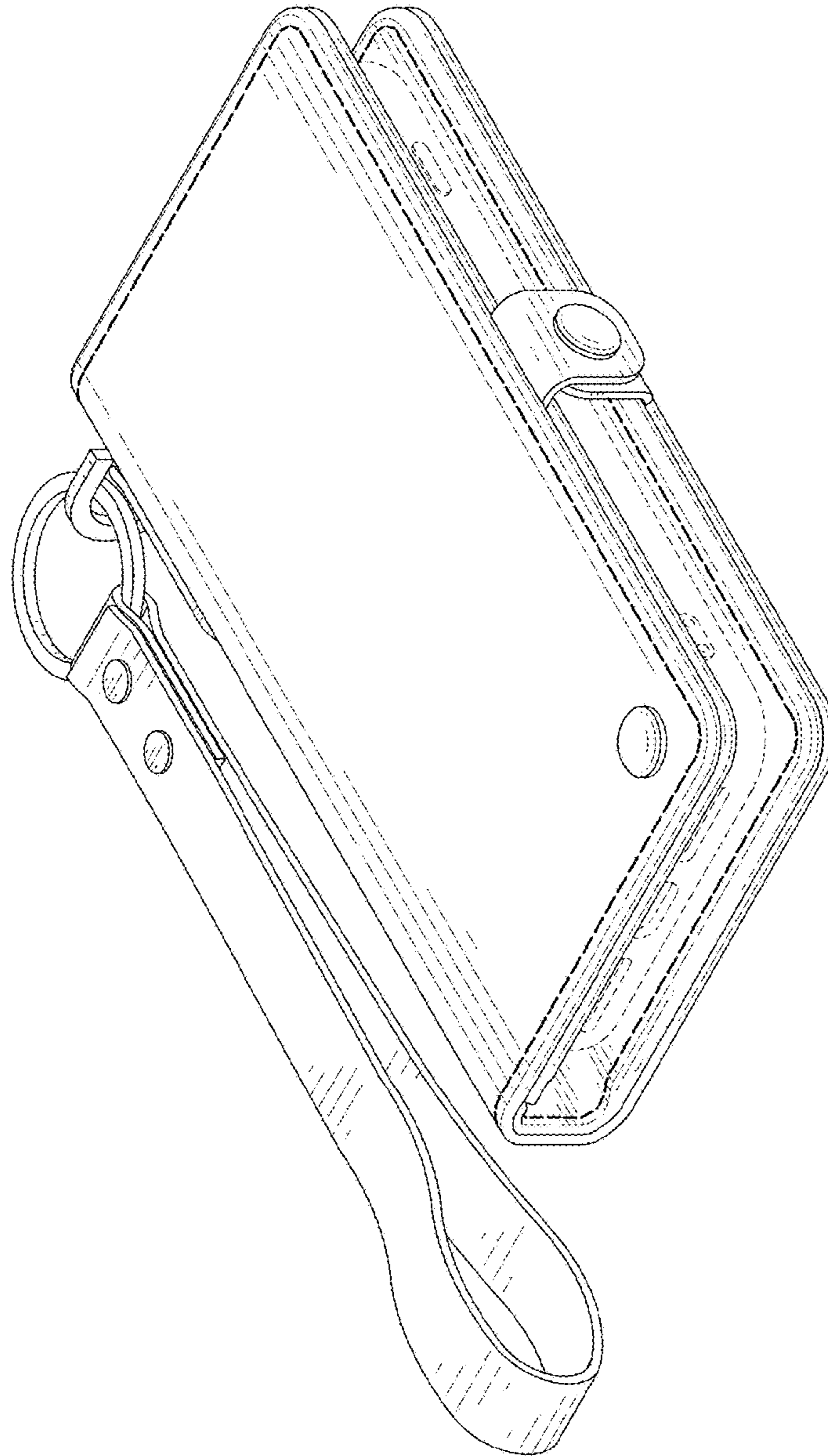


FIG. 1

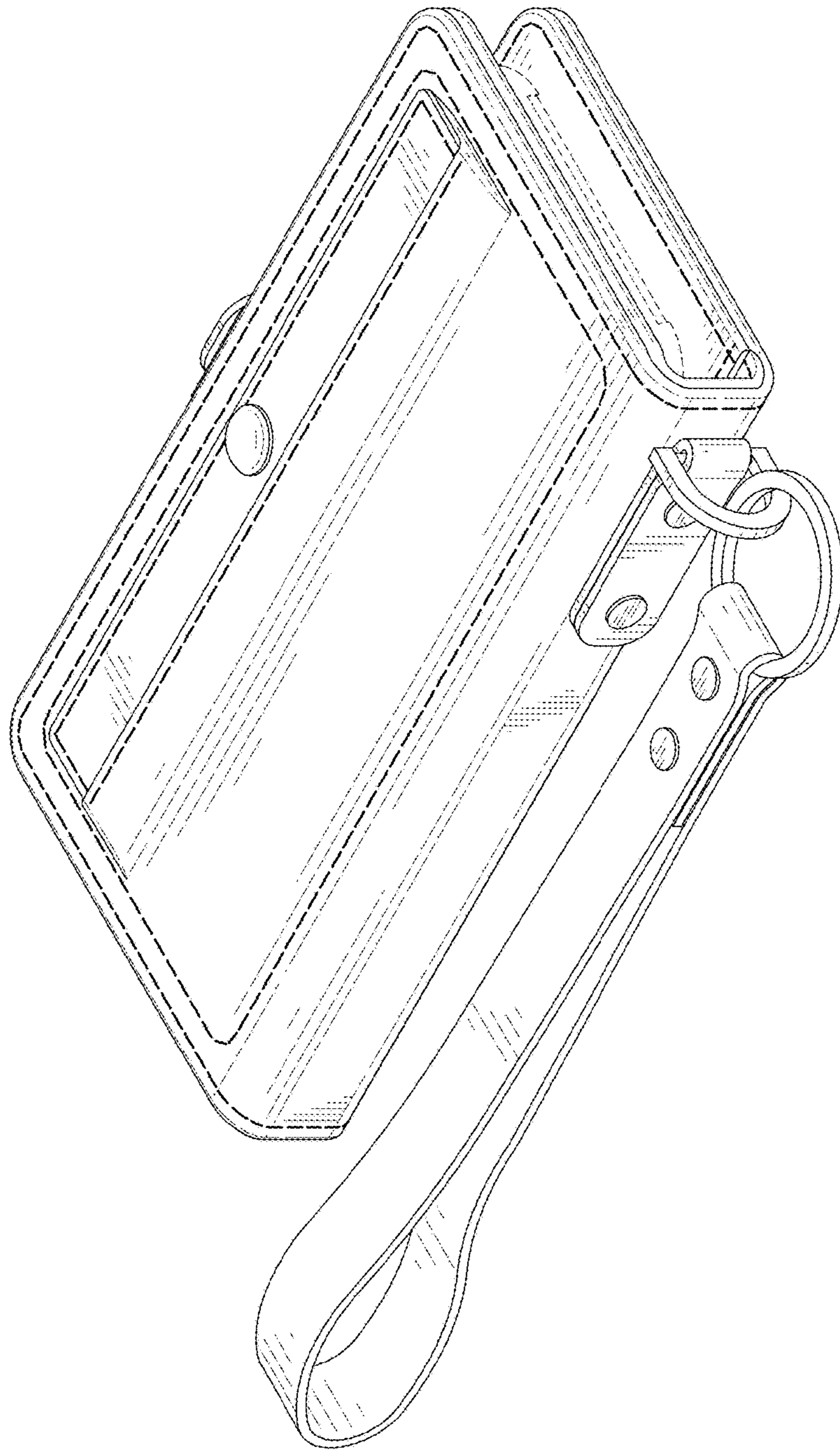


FIG. 2

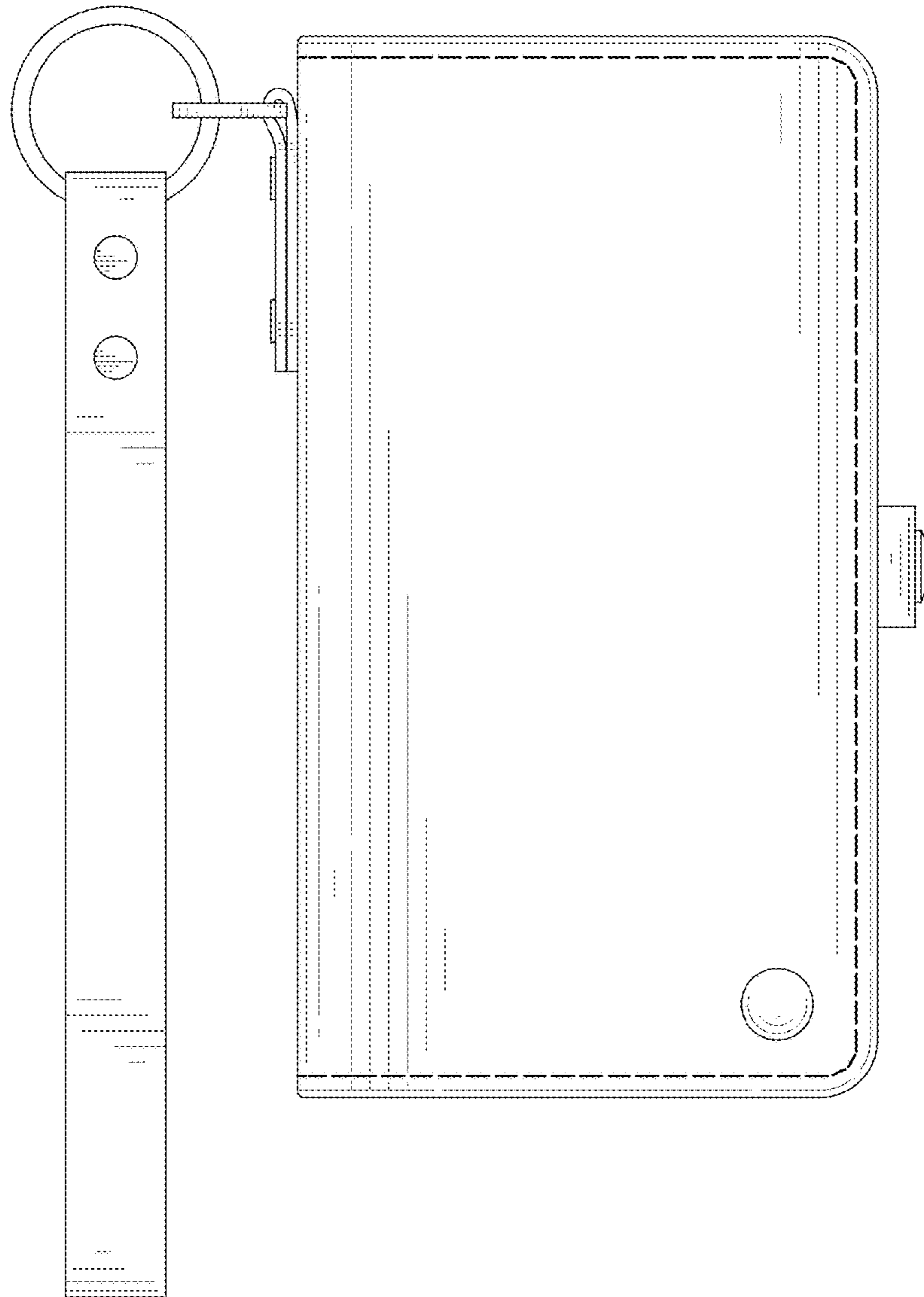


FIG. 3

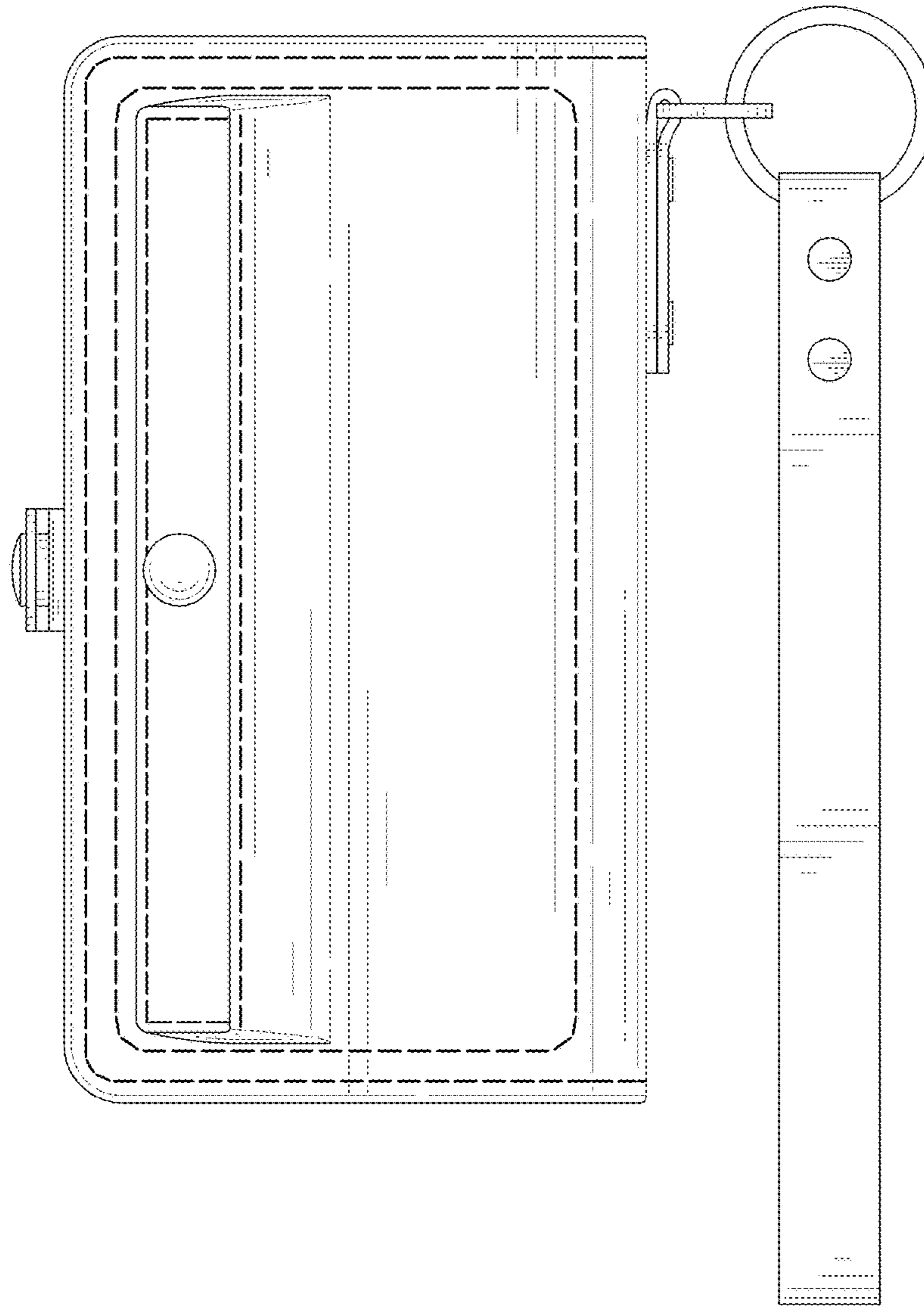


FIG. 4

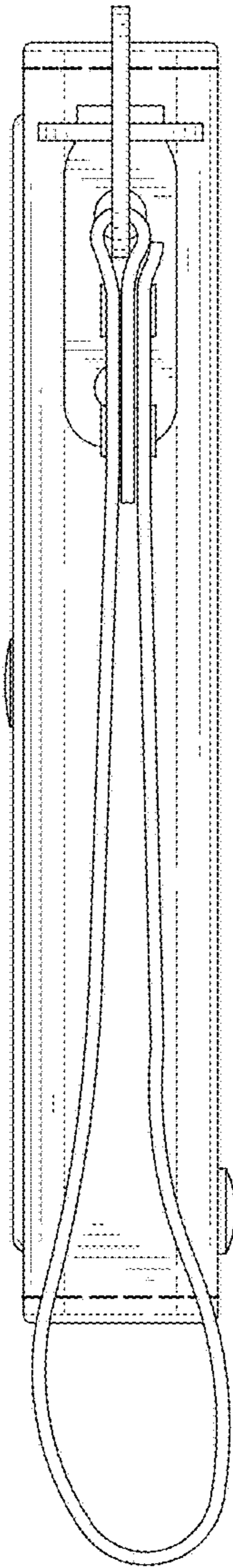


FIG. 5

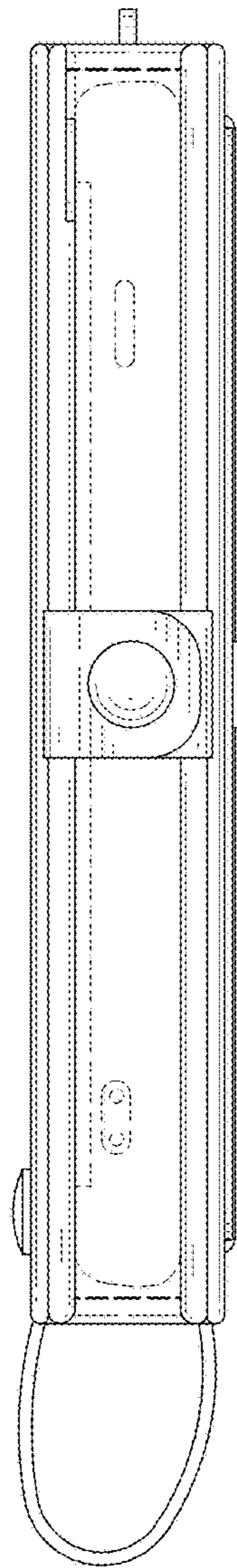


FIG. 6

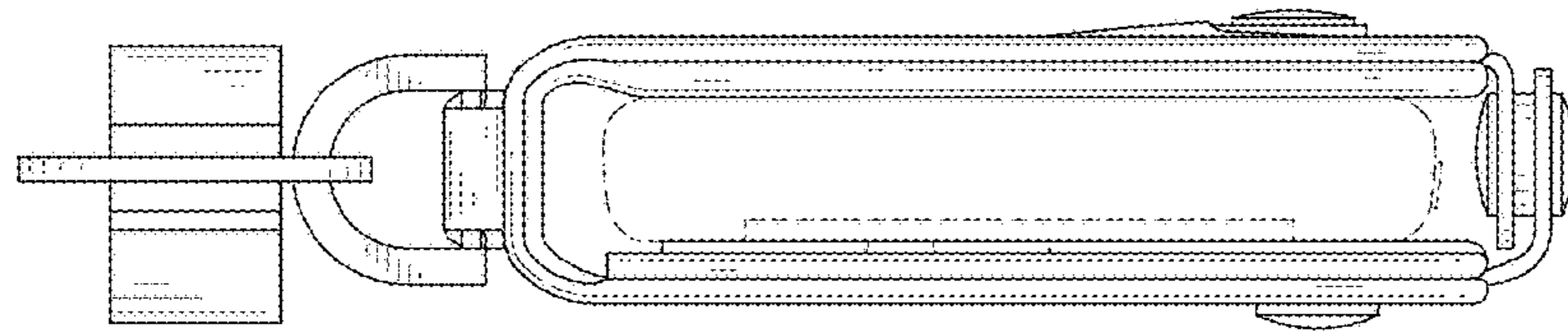


FIG. 7



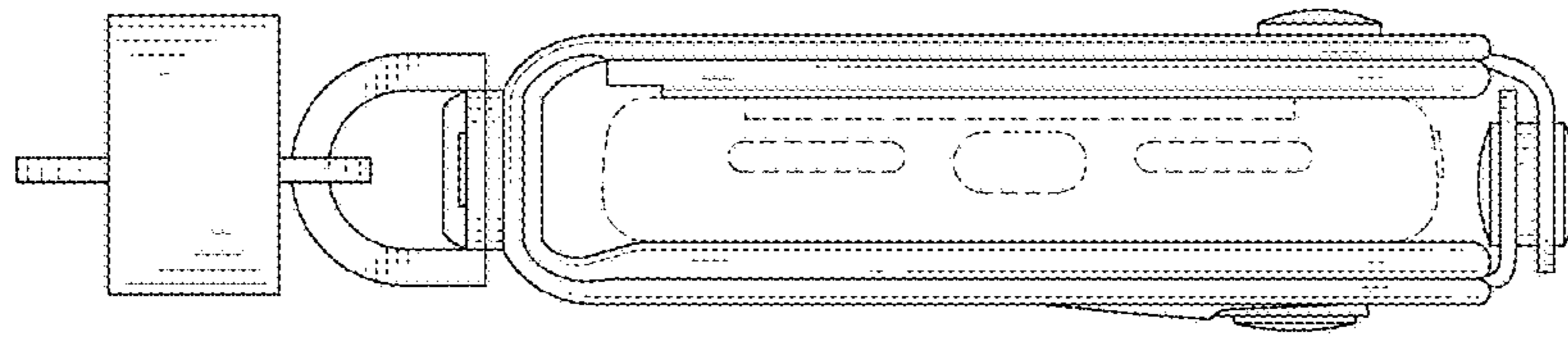


FIG. 8

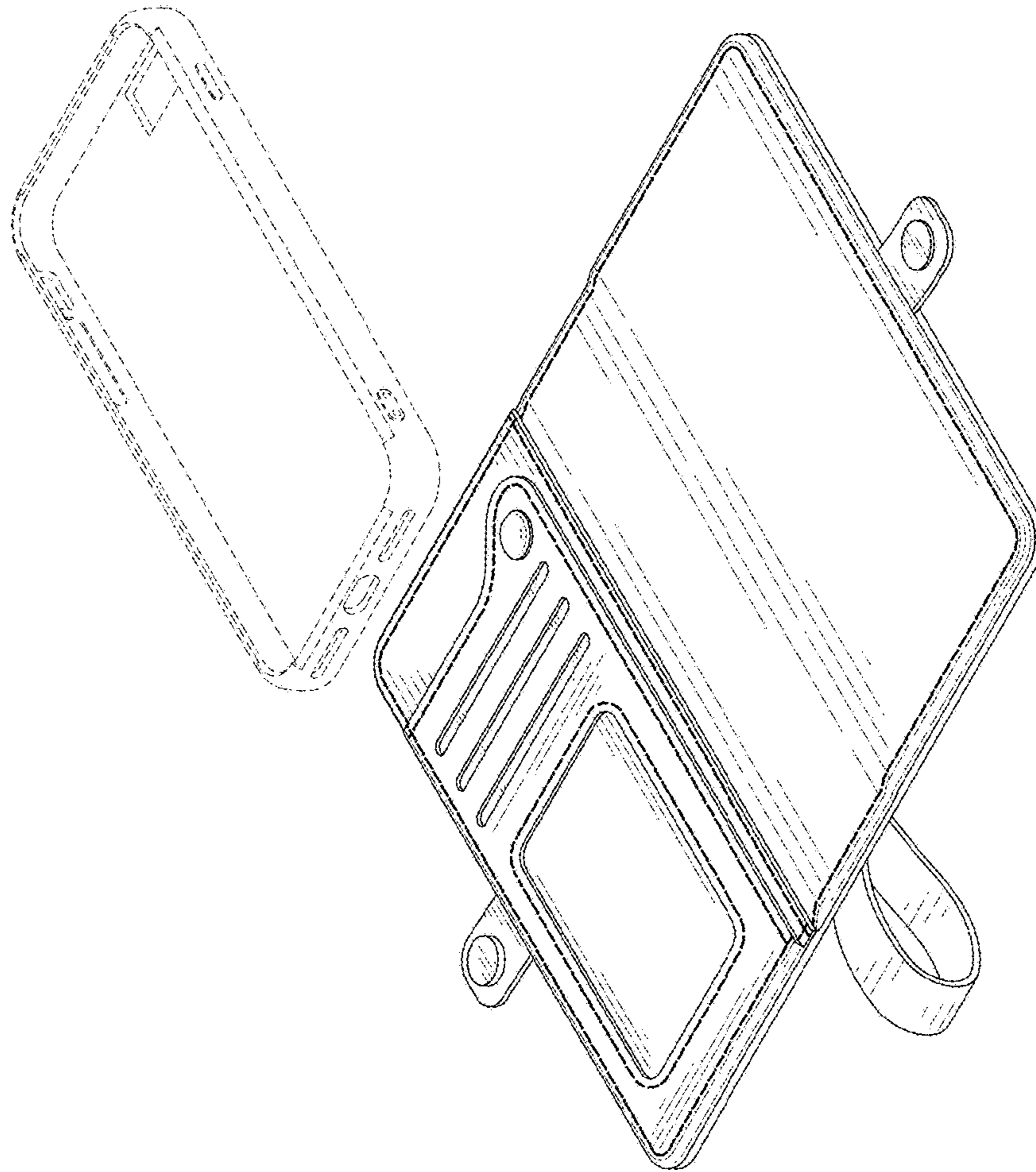


FIG. 9

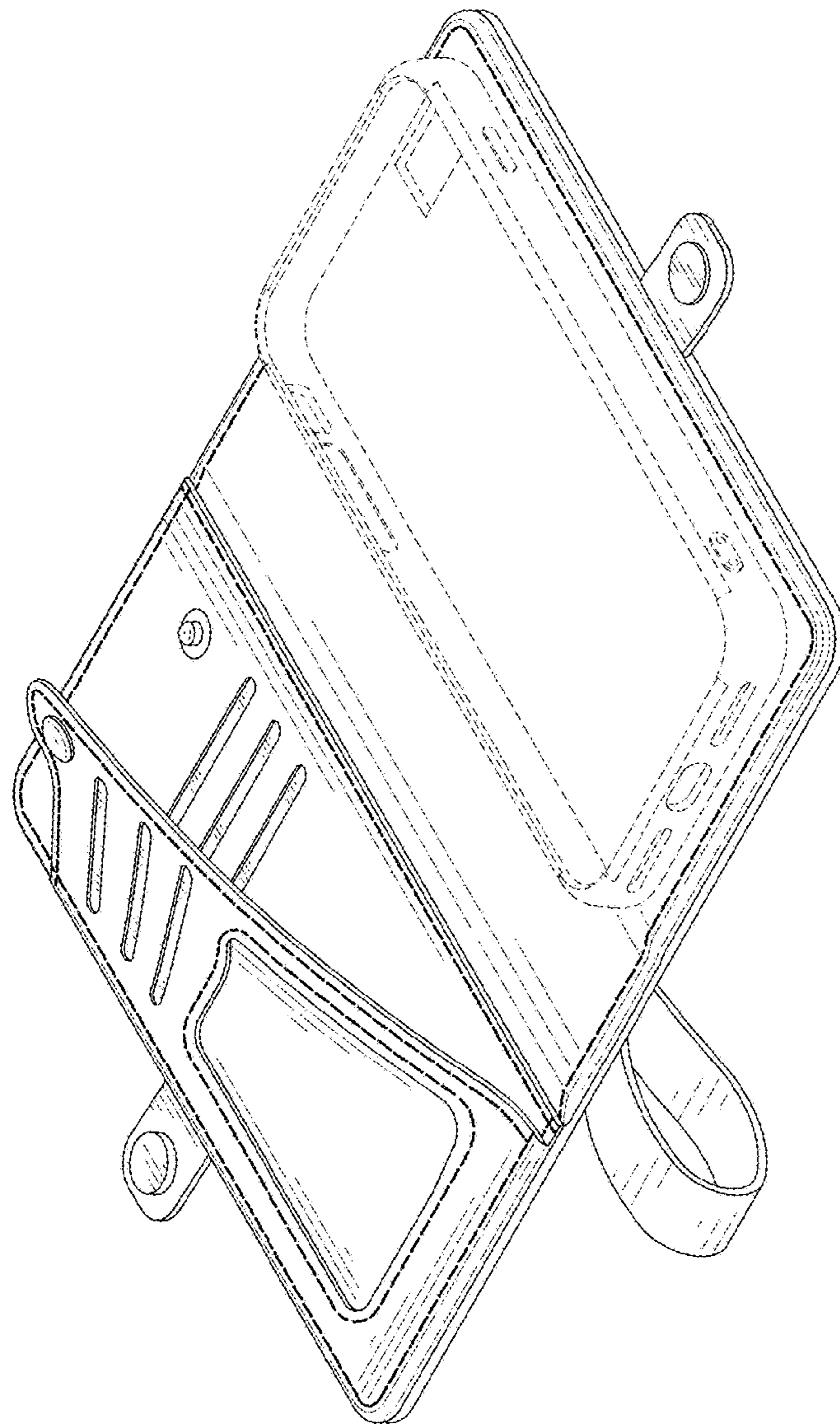


FIG. 10