



US00D858086S

(12) **United States Design Patent** (10) **Patent No.:** **US D858,086 S**
Case et al. (45) **Date of Patent:** **** Sep. 3, 2019**

(54) **ZIPPER**

(71) Applicant: **Nite Ize, Inc.**, Boulder, CO (US)

(72) Inventors: **Rick Case**, Boulder, CO (US); **Michael C. Boyd**, Boulder, CO (US); **Bowden Ormsbee**, Longmont, CO (US); **Dale Karacostas**, Boulder, CO (US); **Clint Todd**, Boulder, CO (US); **Carley Mulder**, Boulder, CO (US)

(73) Assignee: **Nite Ize, Inc.**, Boulder, CO (US)

(**) Term: **15 Years**

(21) Appl. No.: **29/673,444**

(22) Filed: **Dec. 14, 2018**

Related U.S. Application Data

(63) Continuation of application No. 29/672,453, filed on Dec. 5, 2018.

(51) **LOC (12) Cl.** **03-03**

(52) **U.S. Cl.**
USPC **D3/205**

(58) **Field of Classification Search**
USPC D3/305, 306
CPC A47K 17/00; A45C 7/009; A45C 7/0077;
A45C 3/04

See application file for complete search history.

(56) **References Cited**

U.S. PATENT DOCUMENTS

D106,132 S *	9/1937	Doppelt	D3/301
D377,861 S *	2/1997	Jacober	D3/203.1
D453,416 S *	2/2002	Terry	D3/205
D494,360 S *	8/2004	Ostermann	D3/205
D816,984 S *	5/2018	Jusic	D3/205
D819,956 S *	6/2018	Woodard	D3/203.6

* cited by examiner

Primary Examiner — Charles D Hanson

(74) *Attorney, Agent, or Firm* — Haynes and Boone, LLP

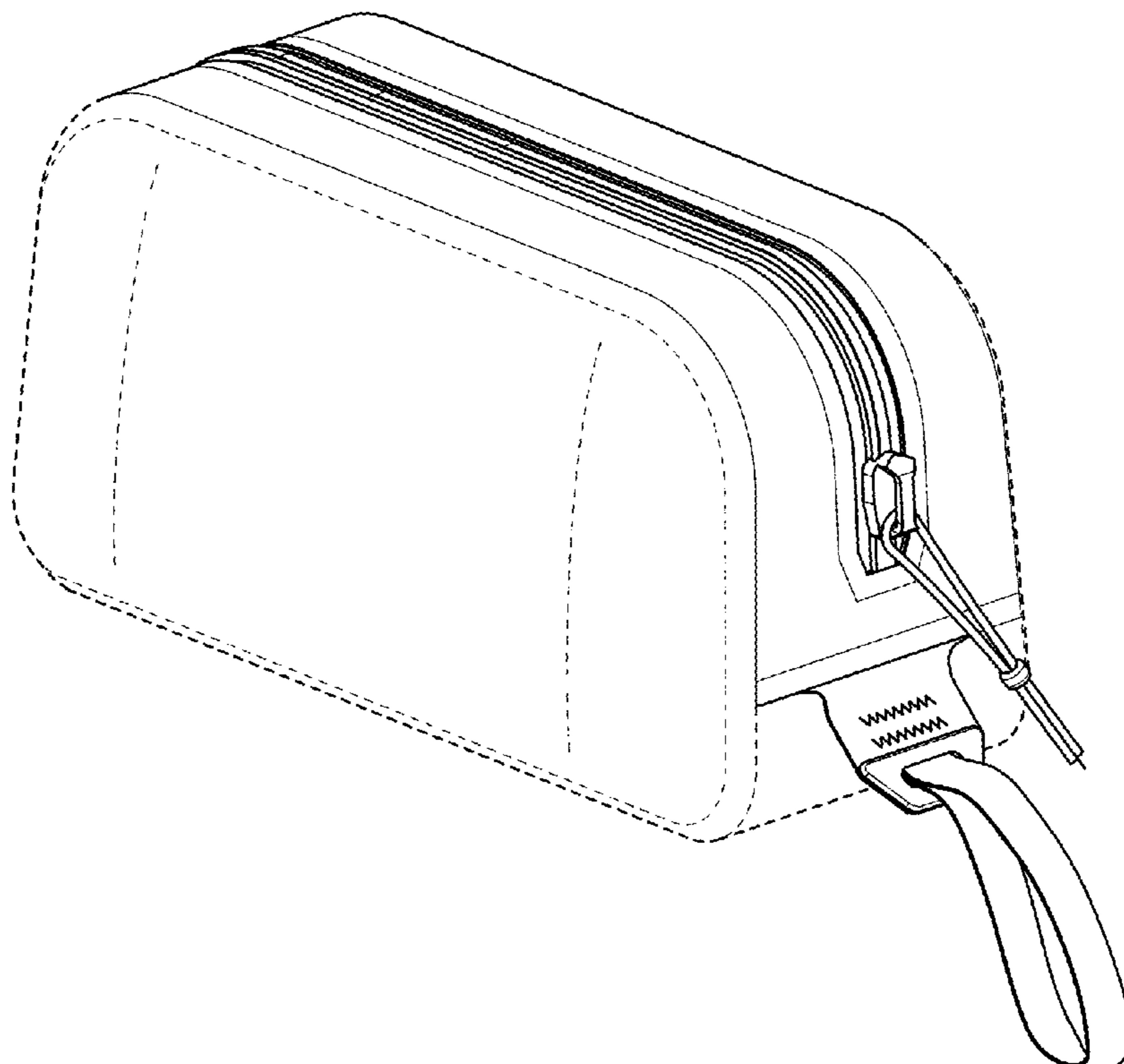
(57) **CLAIM**

The ornamental design for the zipper, as shown and described.

DESCRIPTION

FIG. 1 shows a front perspective view of a zipper;
 FIG. 2 shows a rear perspective view of the zipper of FIG. 1;
 FIG. 3 shows a front view of the zipper of FIG. 1;
 FIG. 4 shows a rear view of the zipper of FIG. 1;
 FIG. 5 shows a left-side view of the zipper of FIG. 1;
 FIG. 6 shows a right-side view of the zipper of FIG. 1;
 FIG. 7 shows a top view of the zipper of FIG. 1; and,
 FIG. 8 shows a bottom view of the zipper of FIG. 1.
 The broken line showing of is included for the purpose of illustrating environment and forms no part of the claimed design.

1 Claim, 4 Drawing Sheets



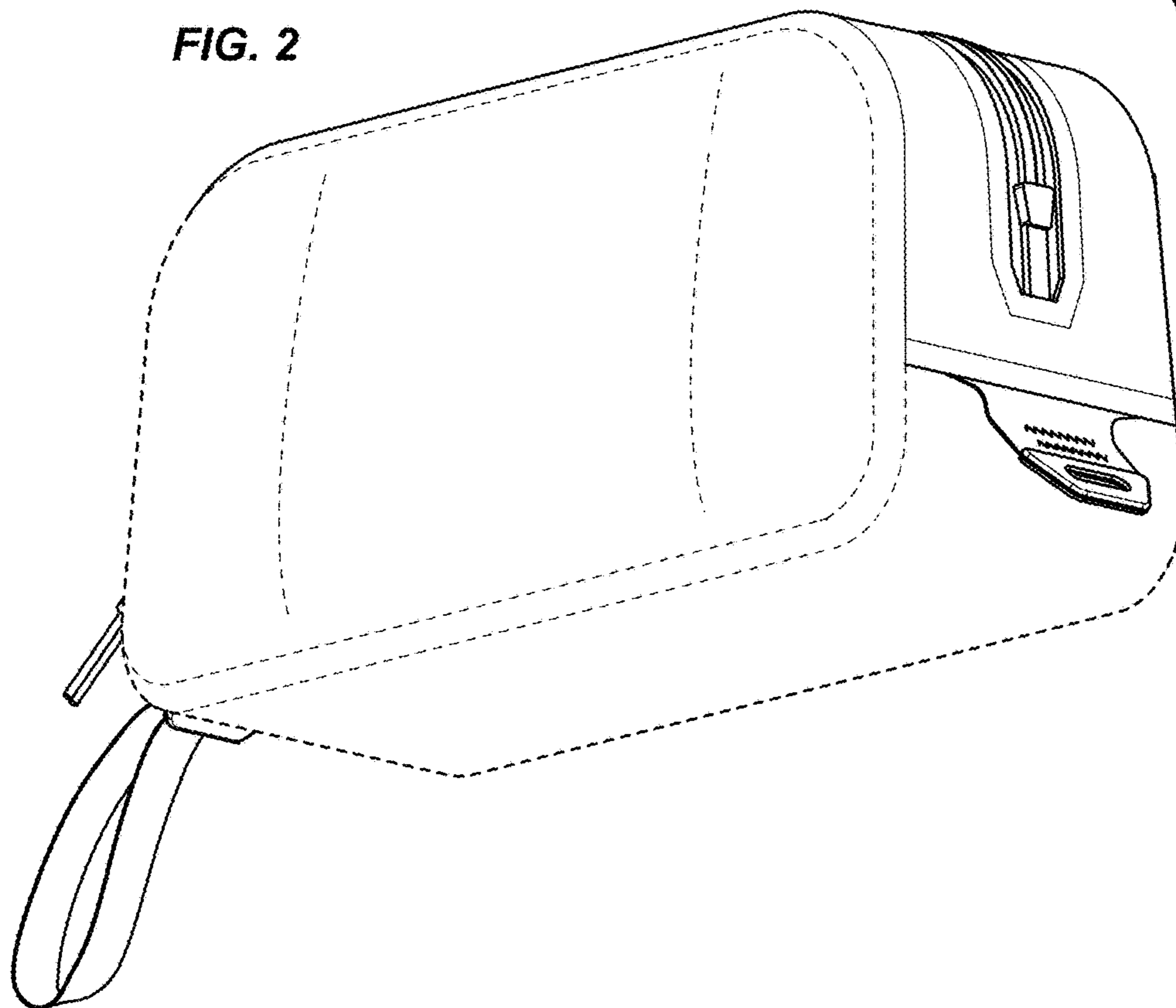
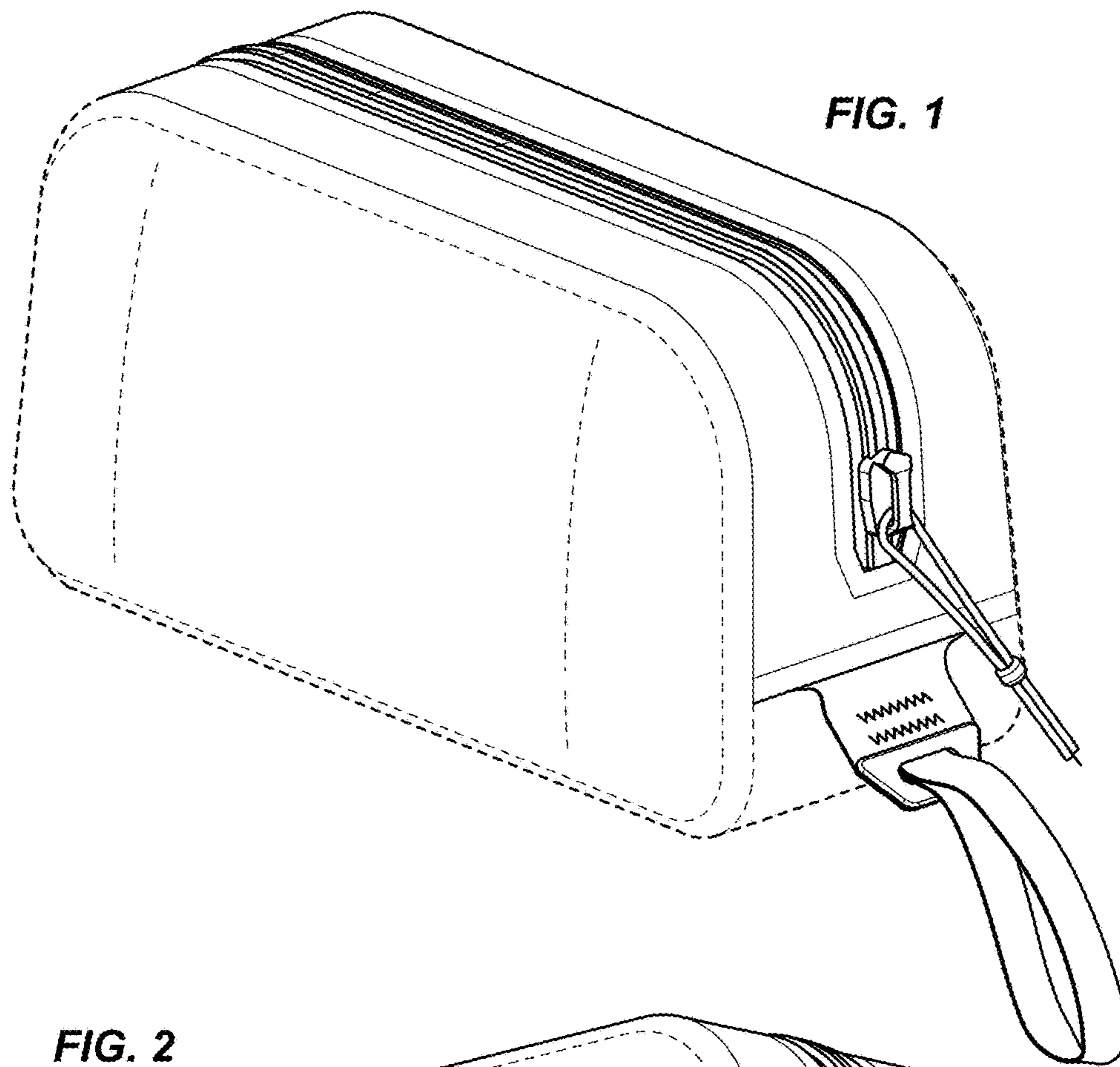


FIG. 3

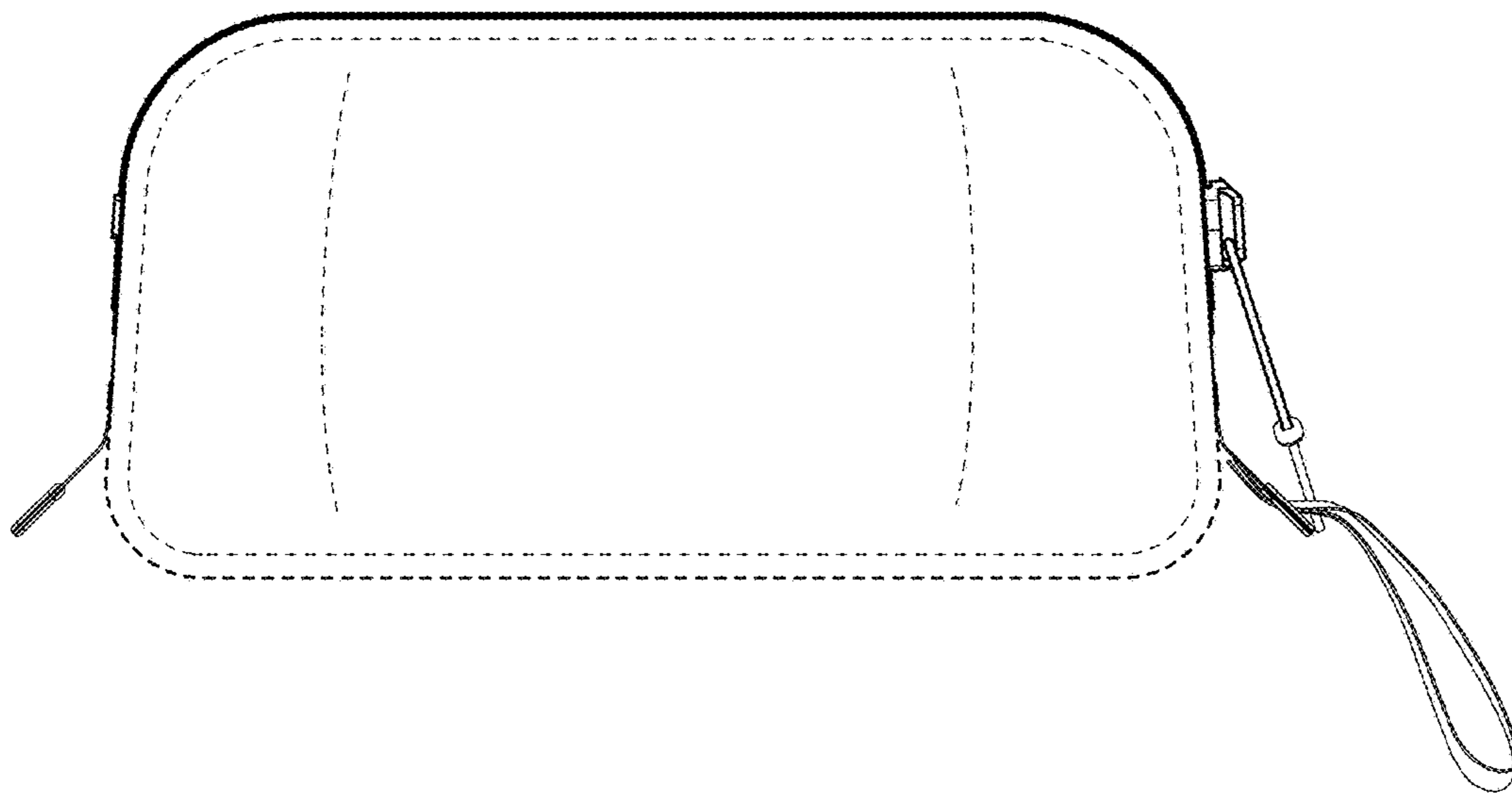


FIG. 4

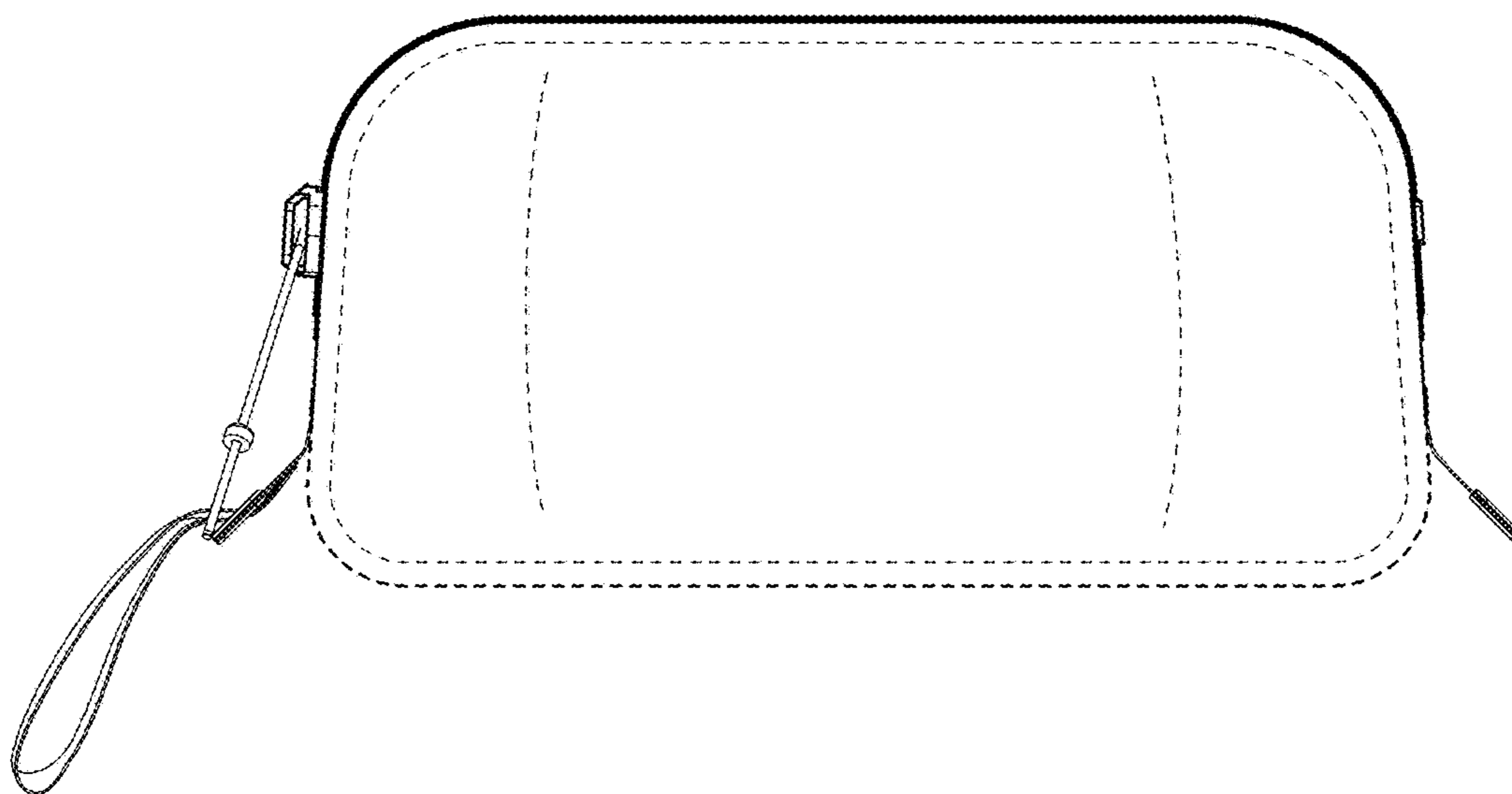


FIG. 5

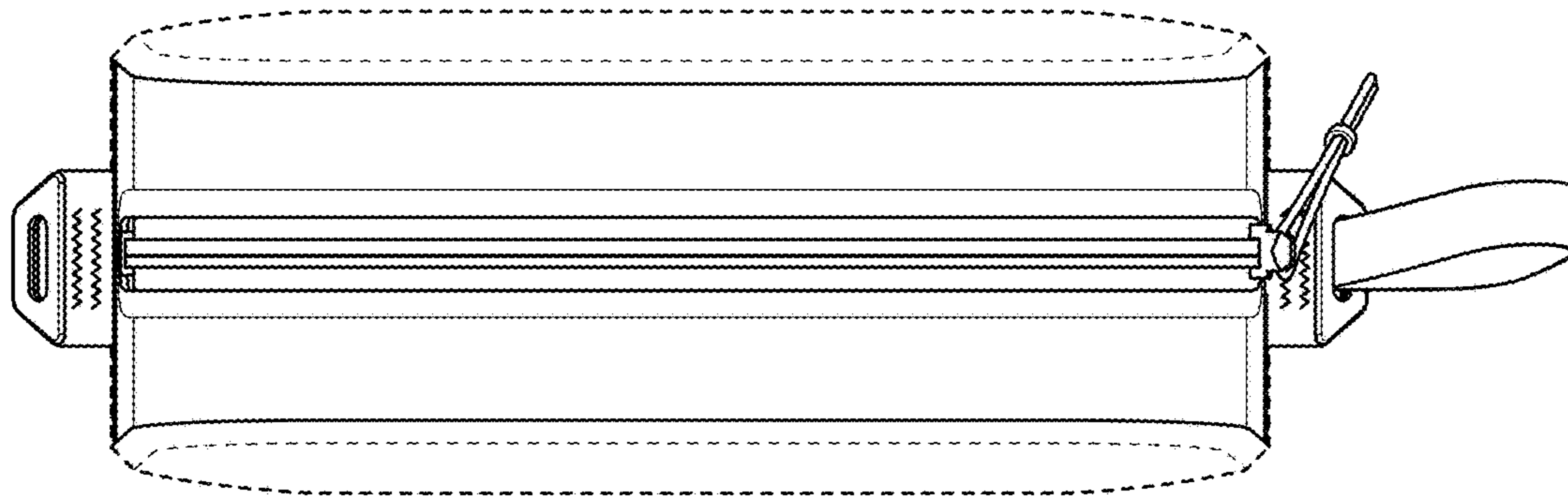


FIG. 6

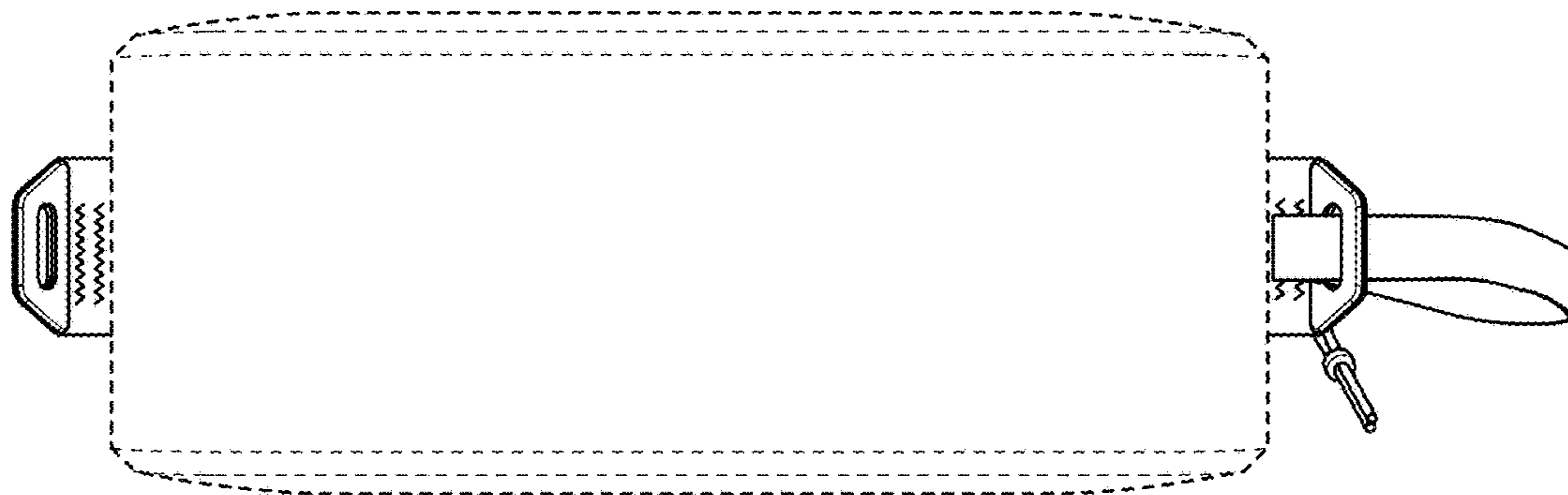


FIG. 7

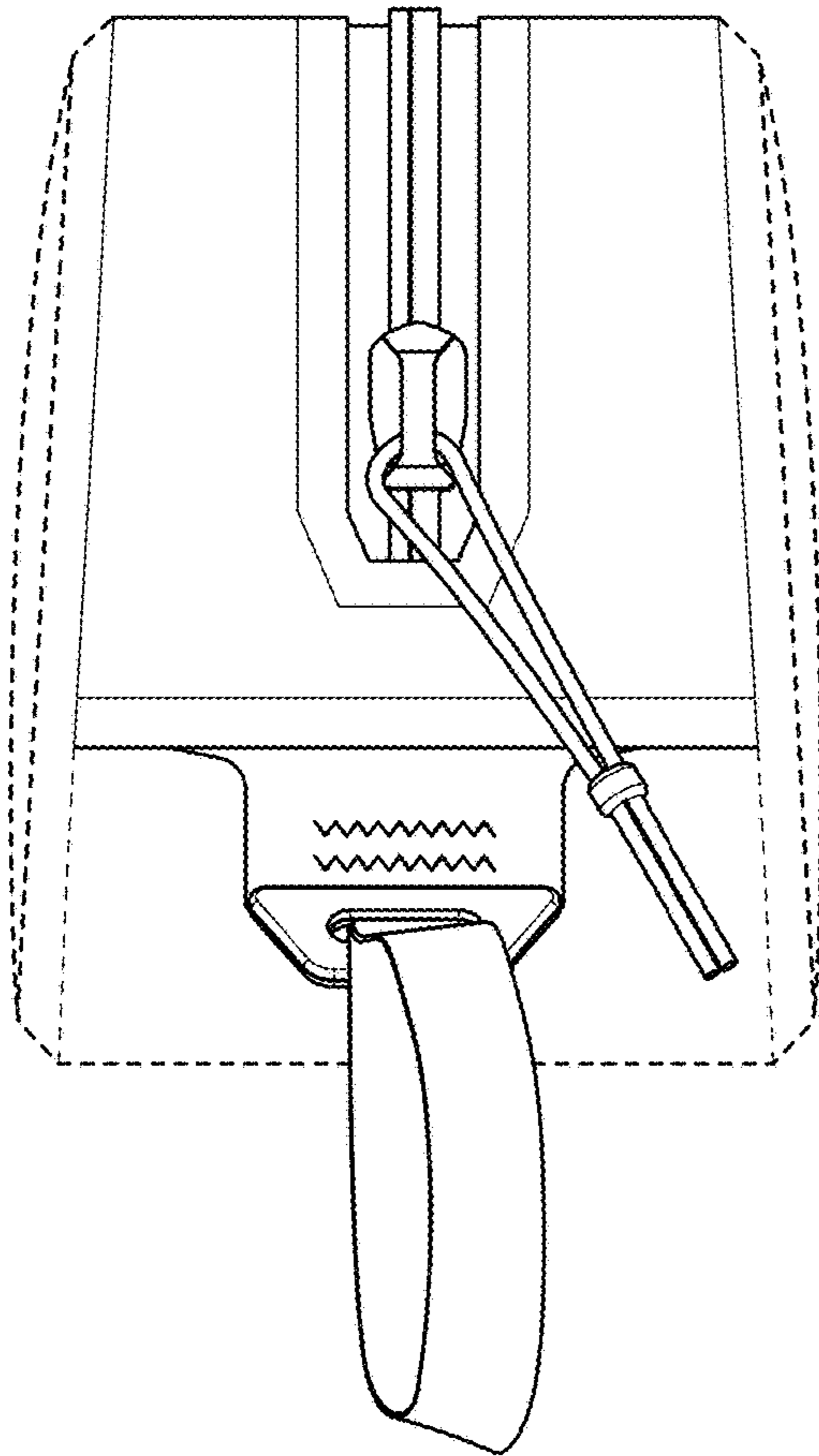


FIG. 8

