



US00D858085S

(12) **United States Design Patent**
Hoshikawa

(10) **Patent No.:** **US D858,085 S**

(45) **Date of Patent:** **** Sep. 3, 2019**

(54) **PEN CASE**

(71) Applicant: **Trinity, Inc.**, Saitama (JP)

(72) Inventor: **Tetsushi Hoshikawa**, Saitama (JP)

(73) Assignee: **Trinity, Inc.**, Saitama (JP)

(**) Term: **15 Years**

(21) Appl. No.: **29/619,877**

(22) Filed: **Oct. 3, 2017**

(30) **Foreign Application Priority Data**

Apr. 3, 2017 (JP) 2017-007093

(51) **LOC (12) Cl.** **03-03**

(52) **U.S. Cl.**
USPC **D3/205**

(58) **Field of Classification Search**
USPC D3/205, 206
CPC A45C 11/34; A45C 11/36
See application file for complete search history.

(56) **References Cited**

U.S. PATENT DOCUMENTS

- 1,506,926 A * 9/1924 Gunter A24F 23/04
206/237
- D95,170 S * 4/1935 Baumgard D19/92
- D207,279 S * 3/1967 Sellen D3/206

- D270,265 S * 8/1983 Kircher D3/225
- D557,490 S * 12/2007 Fedon D3/206
- D816,325 S * 5/2018 Wei D3/206

* cited by examiner

Primary Examiner — Charles D Hanson
(74) *Attorney, Agent, or Firm* — JCIPRNET

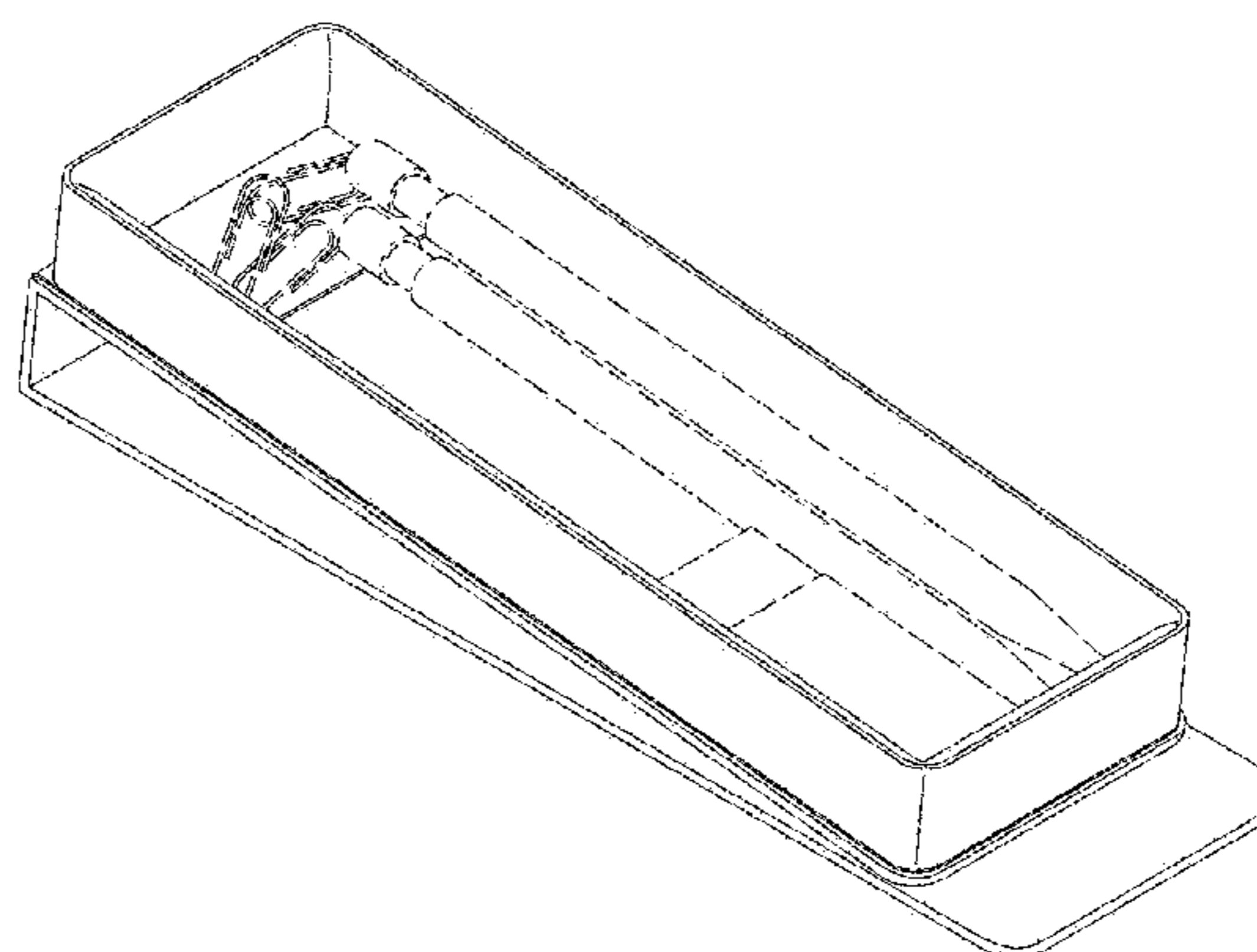
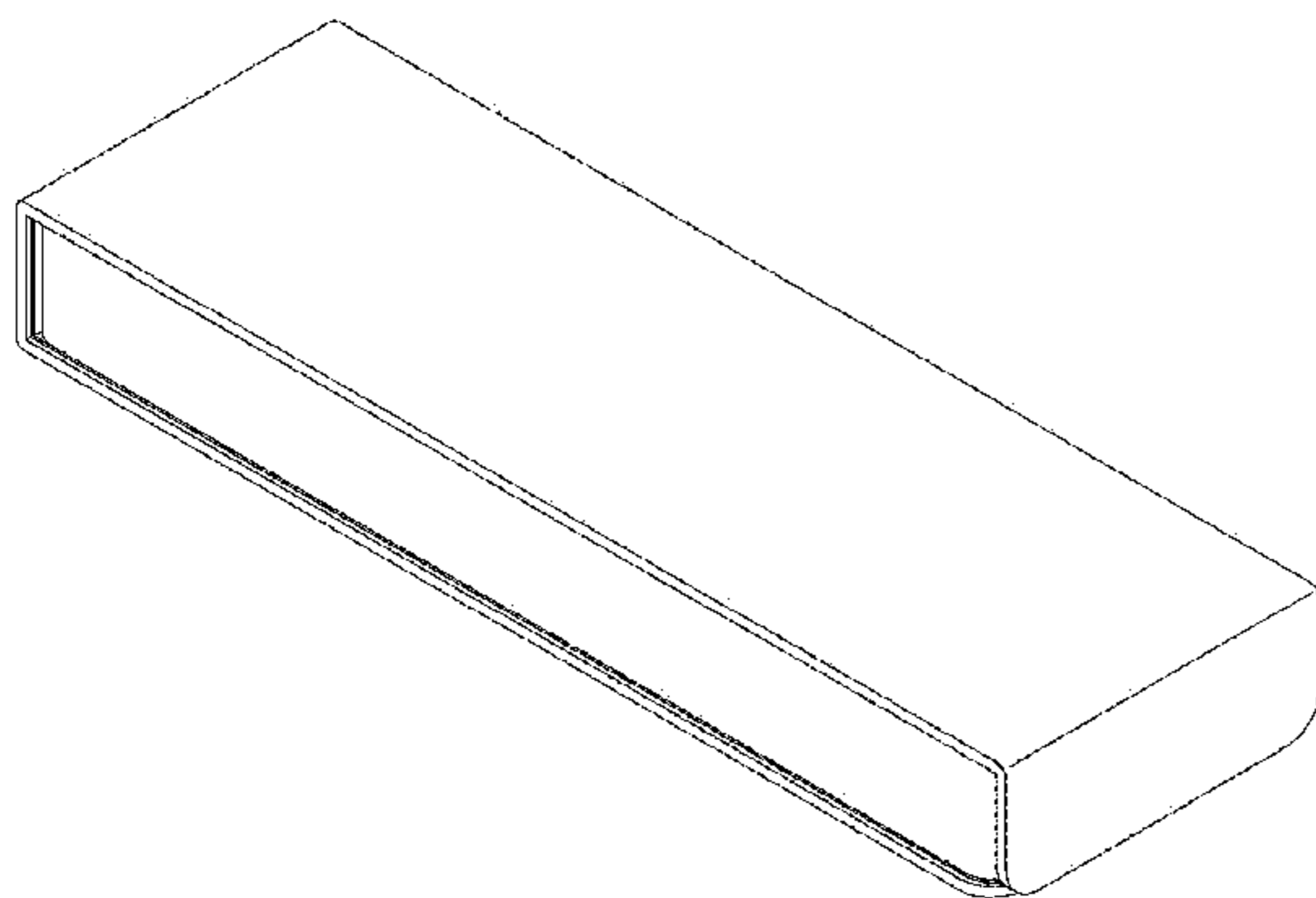
(57) **CLAIM**

The ornamental design for a pen case, as shown and described.

DESCRIPTION

FIG. 1 is a perspective view of a pen case showing my new design;
 FIG. 2 is a front view thereof, the rear view being a mirror image thereof;
 FIG. 3 is a left side view thereof;
 FIG. 4 is a right side view thereof;
 FIG. 5 is a top view thereof;
 FIG. 6 is a bottom view thereof;
 FIG. 7 is a cross-sectional view taken along line 7-7 in FIG. 5;
 FIG. 8 is another left side view thereof with the cover opened;
 FIG. 9 is another front view thereof with the cover opened;
 FIG. 10 is another top view thereof with the cover opened;
 and,
 FIG. 11 is another perspective view thereof shown in use. The broken line subject matters in FIG. 11 are included for the purpose of illustrating unclaimed environment and form no part of the claimed design.

1 Claim, 5 Drawing Sheets



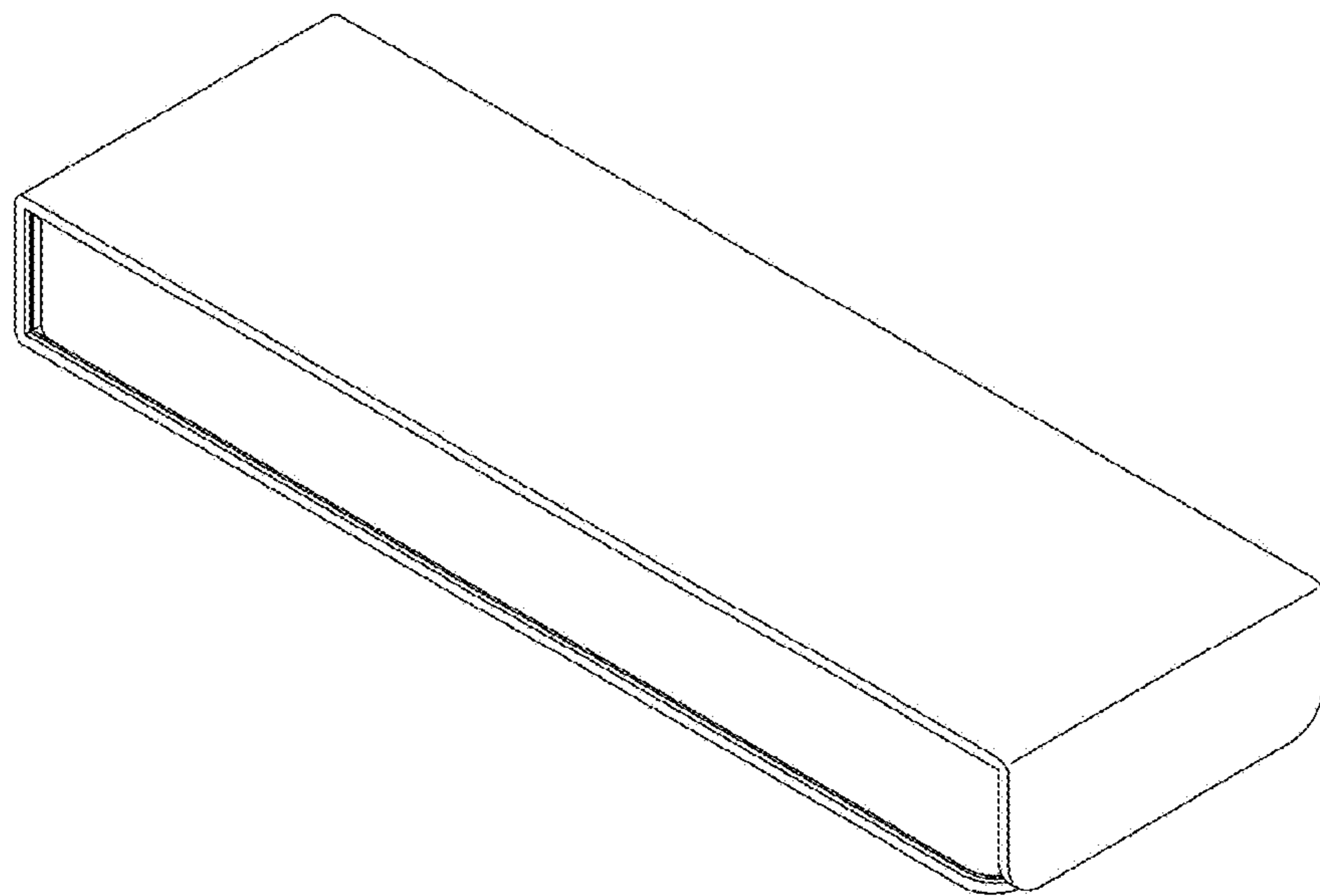


FIG. 1

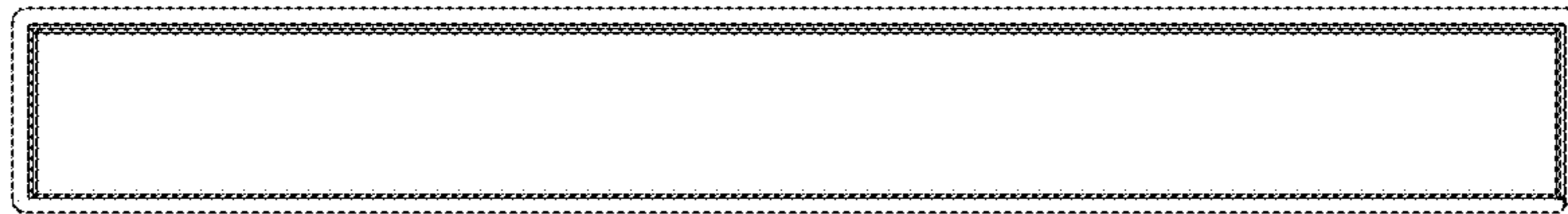


FIG. 2

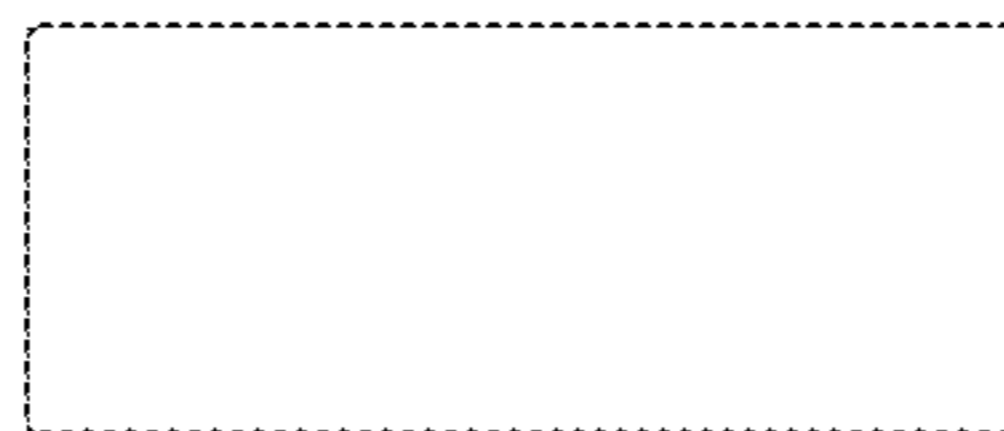


FIG. 3



FIG. 4



FIG. 5



FIG. 6

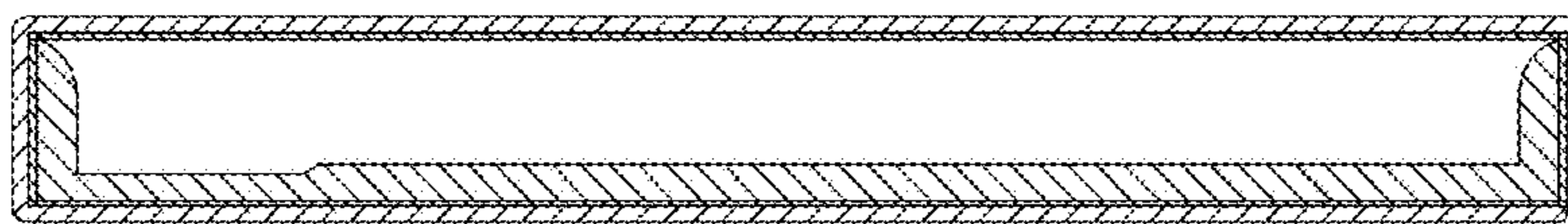


FIG. 7



FIG. 8



FIG. 9

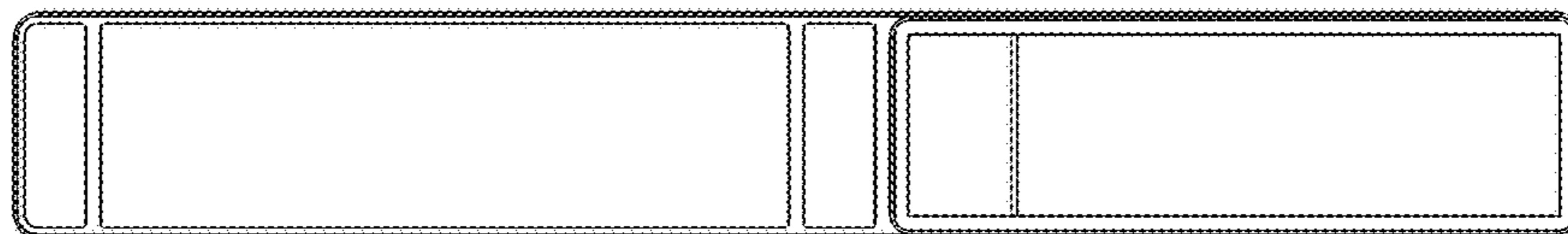


FIG. 10

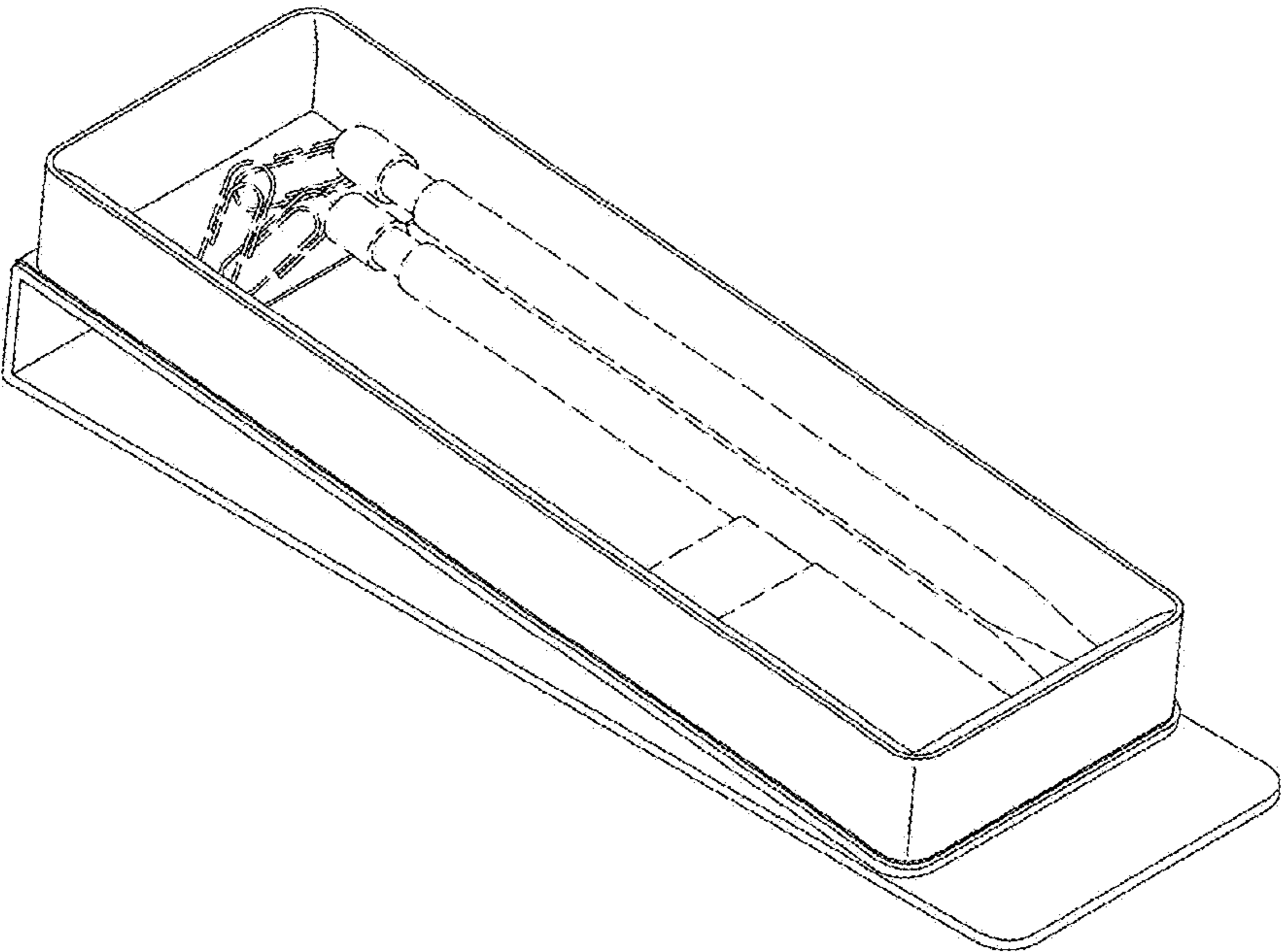


FIG. 11