



US00D858065S

(12) **United States Design Patent** (10) **Patent No.:** **US D858,065 S**
Retelle et al. (45) **Date of Patent:** **** Sep. 3, 2019**

(54) **SHOE HEEL**

(71) Applicant: **PUMA SE**, Herzogenaurach (DE)

(72) Inventors: **Kevin Philip Retelle**, Andover, MA (US); **Steven Keating**, Concord, MA (US); **Brendon Michael Dowling**, North Weymouth, MA (US)

(73) Assignee: **PUMA SE**, Herzogenaurach (DE)

(**) Term: **15 Years**

(21) Appl. No.: **29/558,019**

(22) Filed: **Mar. 15, 2016**

(30) **Foreign Application Priority Data**

Sep. 16, 2015 (EM) 2773234

(51) **LOC (12) Cl.** **02-04**

(52) **U.S. Cl.**

USPC **D2/956**; D2/947; D2/951

(58) **Field of Classification Search**

USPC D2/902, 906, 908, 916, 918, 925, D2/946-962, 977; 36/1, 1.5, 3 B, 22 R, 36/24.5, 25 R, 28, 32 R, 34 R, 59 C, 36/67 A, 101-107, 114-116, 117.3, 117.4, 36/124-136

CPC A43B 13/00; A43B 13/02; A43B 13/023; A43B 13/026; A43B 13/04; A43B 13/08; A43B 13/10; A43B 13/12; A43B 13/14; A43B 13/16; A43B 13/18; A43B 13/28; A43B 13/30; A43B 13/32; A43B 13/34; A43B 13/36; A43B 13/141; A43B 13/143; A43B 13/181; A43B 13/189; A43B 13/223; A43B 13/224

See application file for complete search history.

(56) **References Cited**

U.S. PATENT DOCUMENTS

D245,736 S * 9/1977 Famolare, Jr. D2/955
4,223,456 A * 9/1980 Cohen A43B 7/08
36/29
D293,849 S * 1/1988 Peel D2/955
D321,589 S * 11/1991 Merk D2/954

(Continued)

FOREIGN PATENT DOCUMENTS

CN 203492887 * 3/2014 A43B 13/26
CN 203676285 * 7/2014 A43B 13/18

OTHER PUBLICATIONS

Puma Golf Women's Titantour Jr. (Little Kid/Big Kid) Sneakers & Athletic Shoes, iShoesNet.com, Mar. 15, 2016, [online], [site visited Jun. 30, 2017]. <URL: <http://www.ishoesnet.com/puma-golf-womens-titantour-jr-little-kidbig-kid-sneakers-athletic-shoes-2/>>.*

(Continued)

Primary Examiner — T. Chase Nelson

Assistant Examiner — Jonathan J Han

(74) *Attorney, Agent, or Firm* — Leydig, Voit & Mayer, Ltd.

(57) **CLAIM**

The ornamental design for a shoe heel, as shown and described.

DESCRIPTION

FIG. 1 is a front elevational view of the shoe heel showing our new design;

FIG. 2 is a bottom plan view thereof;

FIG. 3 is a left side elevational view thereof without the shoe environment;

FIG. 4 is a left side elevational view thereof;

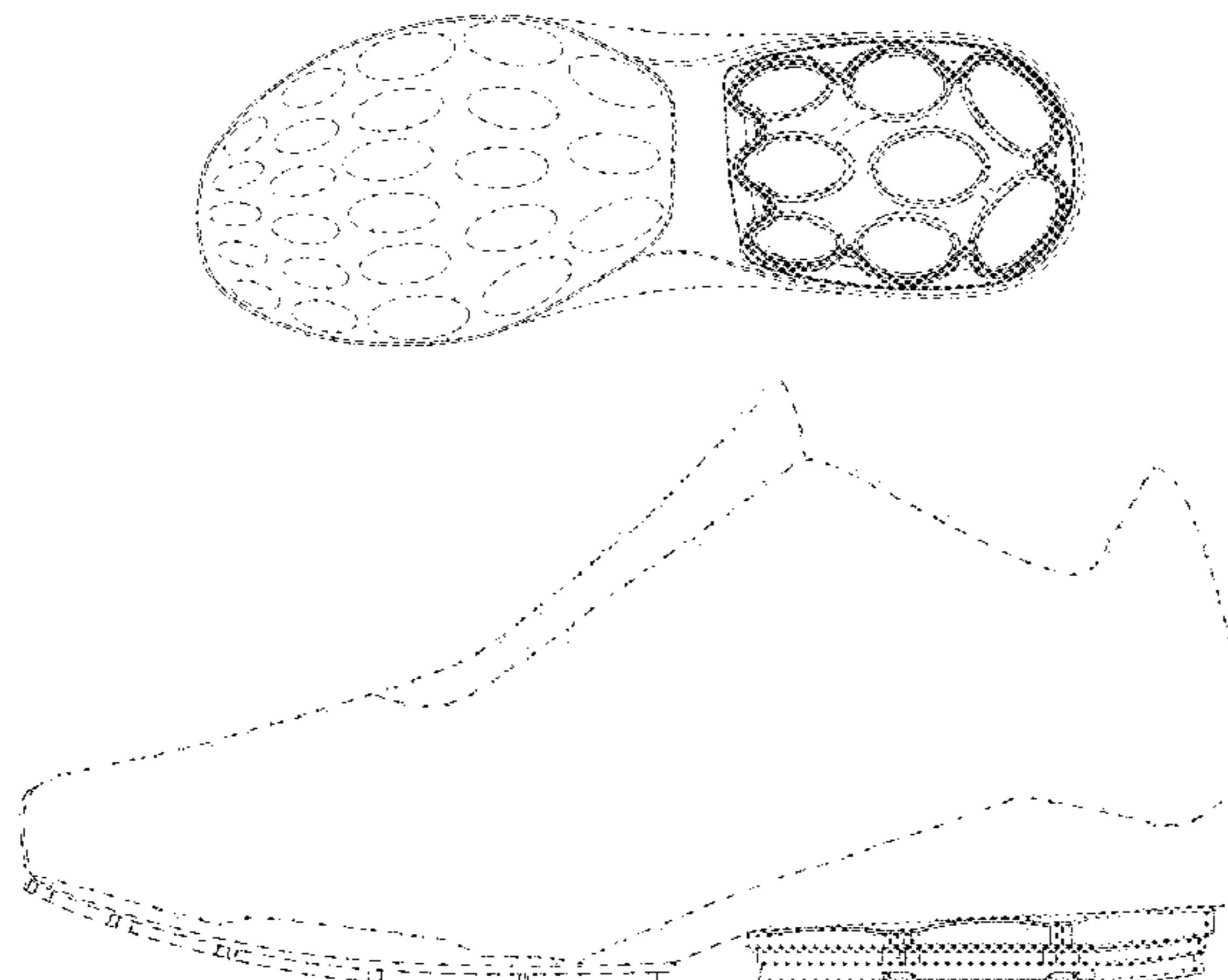
FIG. 5 is a right side elevational view thereof;

FIG. 6 is a rear elevational view thereof; and,

FIG. 7 is a bottom left perspective view thereof.

Any broken lines in the drawings indicate unclaimed subject matter and/or environment and form no part of the claimed design.

1 Claim, 7 Drawing Sheets



(56)

References Cited

U.S. PATENT DOCUMENTS

D398,746 S * 9/1998 Rask D2/954
 D399,040 S * 10/1998 Merceron D2/954
 5,932,336 A * 8/1999 Allen A43B 5/001
 36/28
 D439,731 S * 4/2001 Pawlus D2/953
 D441,945 S * 5/2001 Della Valle D2/947
 D459,577 S * 7/2002 McClaskie D2/954
 D461,947 S * 8/2002 Merceron D2/954
 D467,711 S * 12/2002 Chen D2/951
 D497,047 S * 10/2004 Munns D2/958
 D524,017 S * 7/2006 Burg D2/953
 D549,937 S * 9/2007 Matis D2/953
 D560,334 S * 1/2008 Della Valle D2/956
 D564,739 S * 3/2008 Belley D2/954
 D566,934 S * 4/2008 Della Valle D2/954
 D599,091 S * 9/2009 Della Valle D2/951
 7,784,196 B1 * 8/2010 Christensen A43B 13/184
 36/29
 7,966,748 B2 * 6/2011 Votolato A43B 3/16
 36/100
 D656,720 S * 4/2012 Wawrousek D2/951
 D661,882 S * 6/2012 Raysse D2/951
 D662,295 S * 6/2012 Raysse D2/951
 D663,929 S * 7/2012 Teng-Lee D2/951
 D679,488 S * 4/2013 Raysse D2/951
 D680,312 S * 4/2013 Raysse D2/951
 D683,941 S * 6/2013 Raysse D2/951
 D685,984 S * 7/2013 Raysse D2/951

D707,930 S * 7/2014 Raysse D2/951
 D712,123 S * 9/2014 Goldman D2/951
 D730,638 S * 6/2015 Christensen D2/951
 2014/0331517 A1 * 11/2014 Seo A43B 7/1405
 36/28

OTHER PUBLICATIONS

A Review of the Merrell Proterra Mid, ToeSalad.com, Mar. 4, 2013 by Huib van der Wal, [online], [site visited Jun. 30, 2017]. <URL: <http://toesalad.com/reviews/a-review-of-the-merrell-proterra-mid/>>.*
 Adidas Vengeful Review, RunningShoesGuru.com, Oct. 31, 2016, by Kristin Lassen, [online], [site visited Jun. 30, 2017]. <URL: <http://www.runningshoesguru.com/2016/08/adidas-vengeful-review/>>.*
 Light Eva Material Outsole Phylon Outsole, Alibaba.com, [online], [site visited Jun. 30, 2017]. <URL: https://www.alibaba.com/product-detail/light-eva-material-eva-outsole-phylon_60320232649.html?spm=a2700.details.maylikever.9.FtiJcd>.*
 Skechers GOtrail: The Initial Review, Saturday, Dec. 1, 2012, Posted by Nick Phillips at 11:14:00 PM, [online], [site visited Jun. 30, 2017]. <URL: <http://happiefet.blogspot.com/2012/12/skechers-gotrail-initial-review.html>>.*
 Puma Turin Nylon Men's Sneakers, Puma.com, [online], [site visited Jun. 30, 2017]. <URL: http://us.puma.com/en_US/pd/puma-turin-nylon-mens-sneakers/pna362167.html?dwvar_pna362167_color=03>.*

* cited by examiner

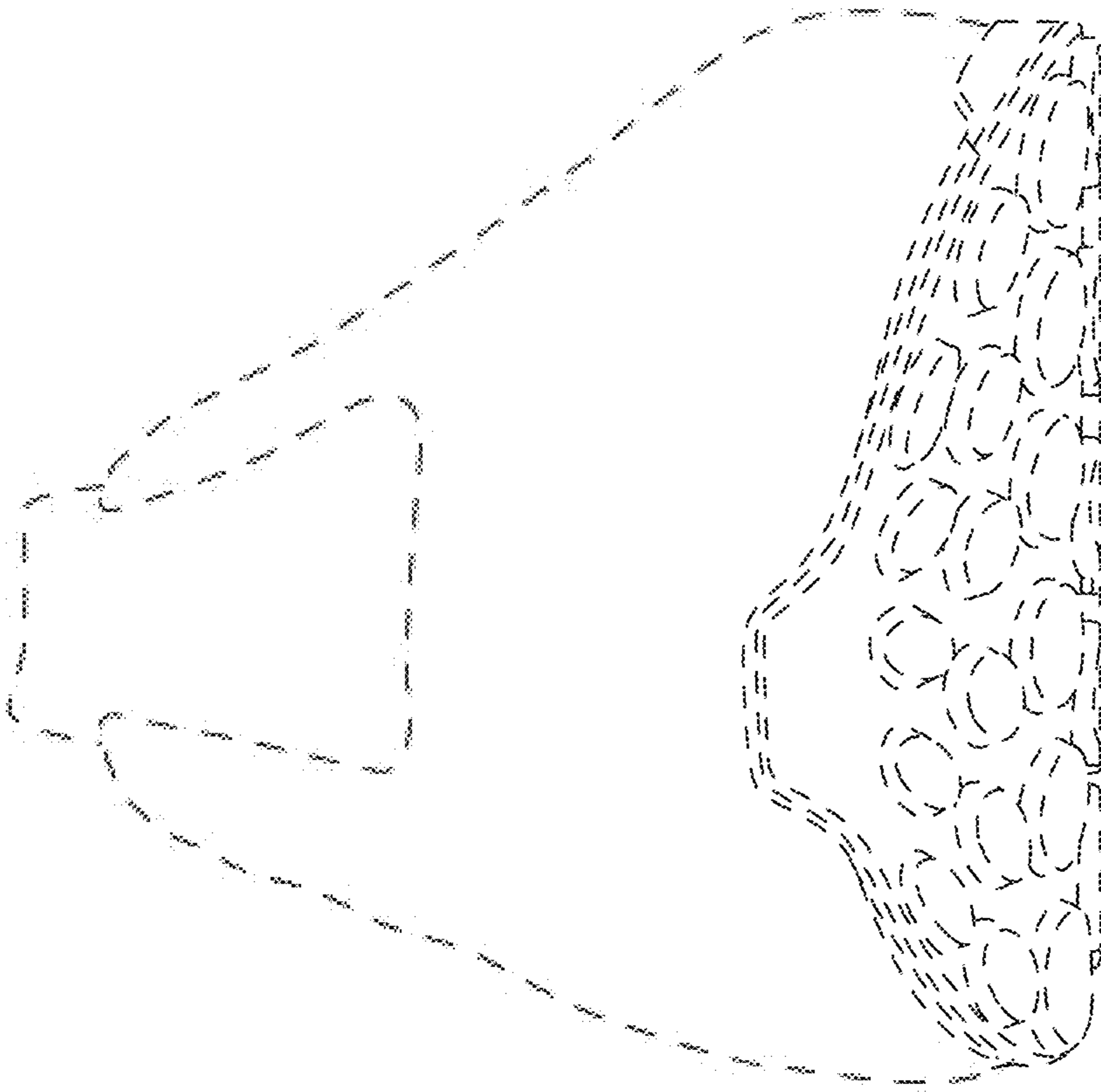


FIG. 1

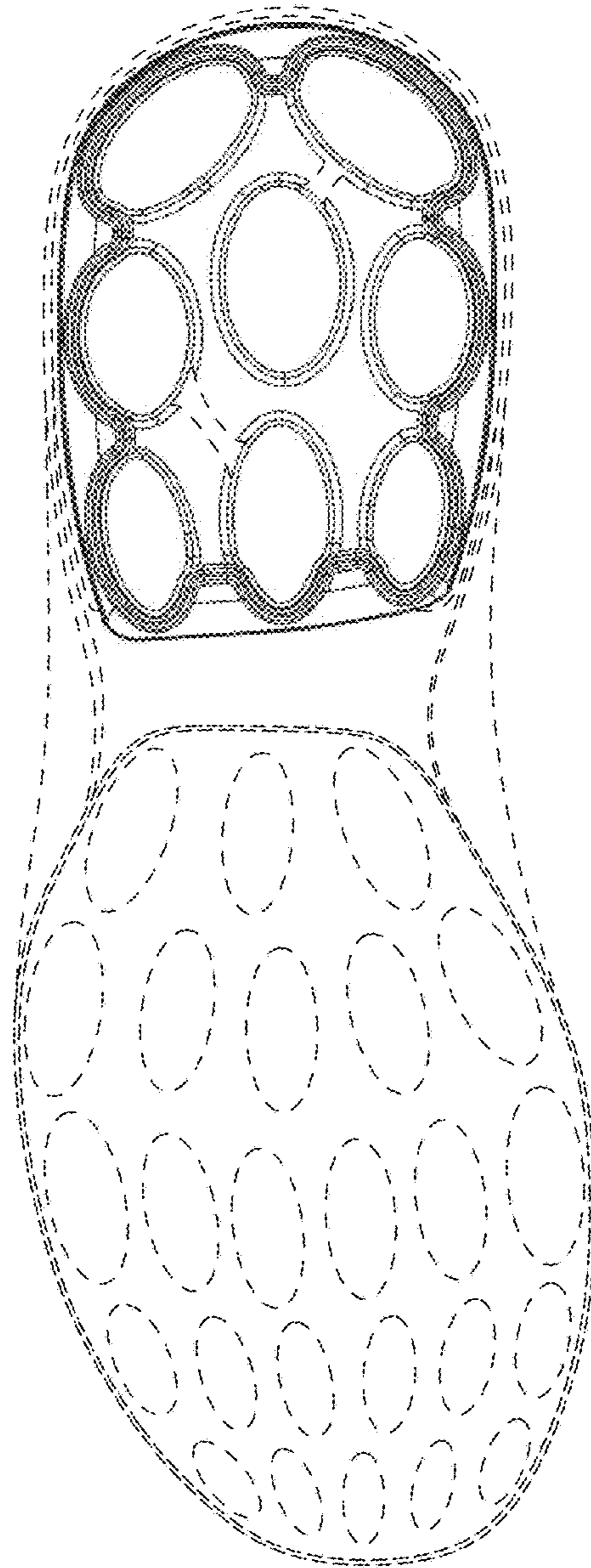


FIG. 2

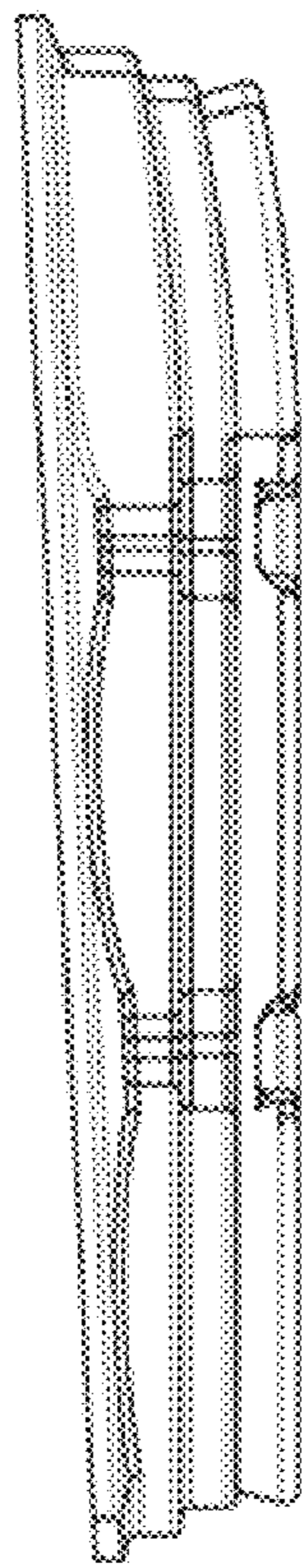


FIG. 3

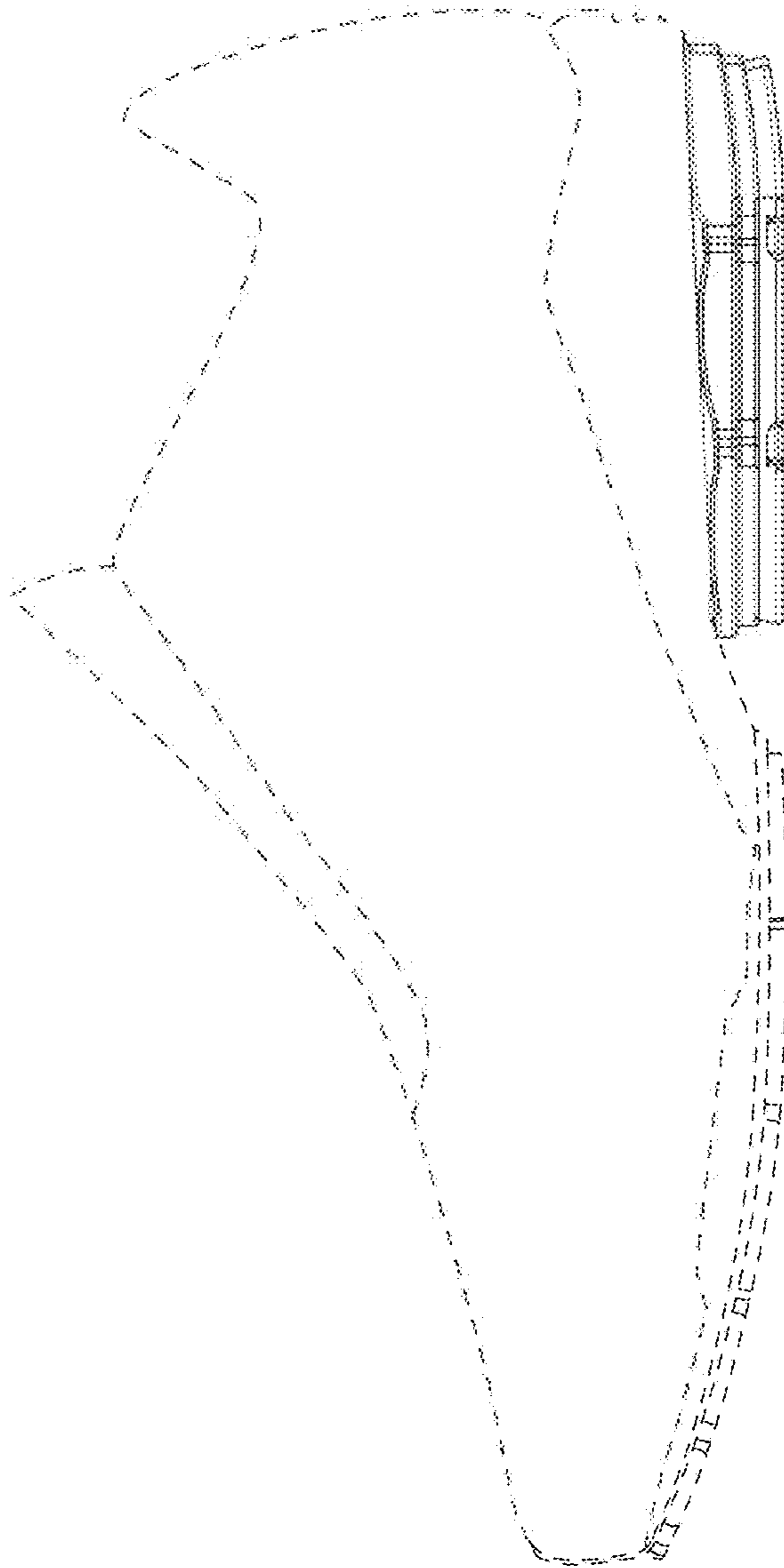


FIG. 4

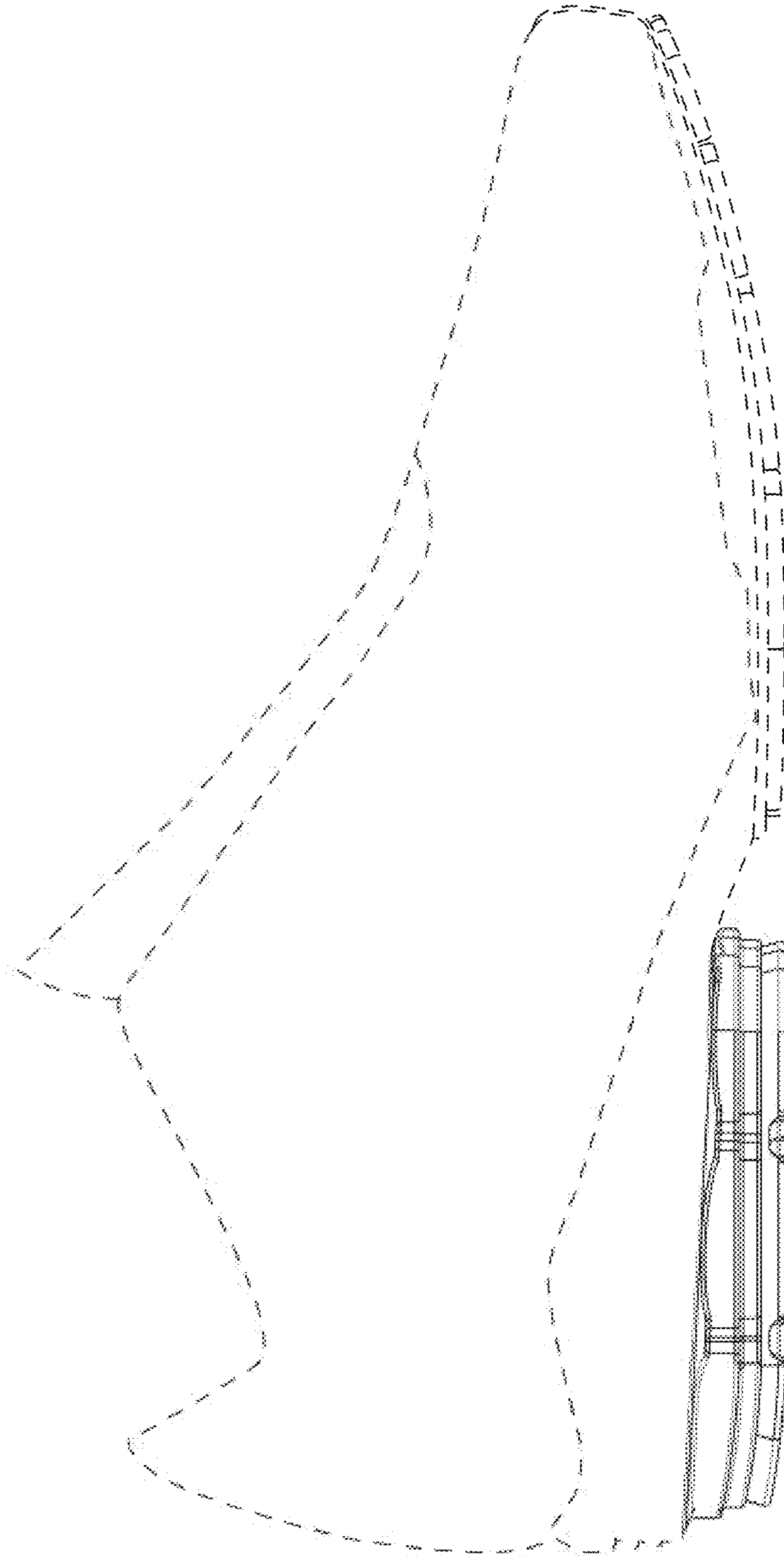


FIG. 5

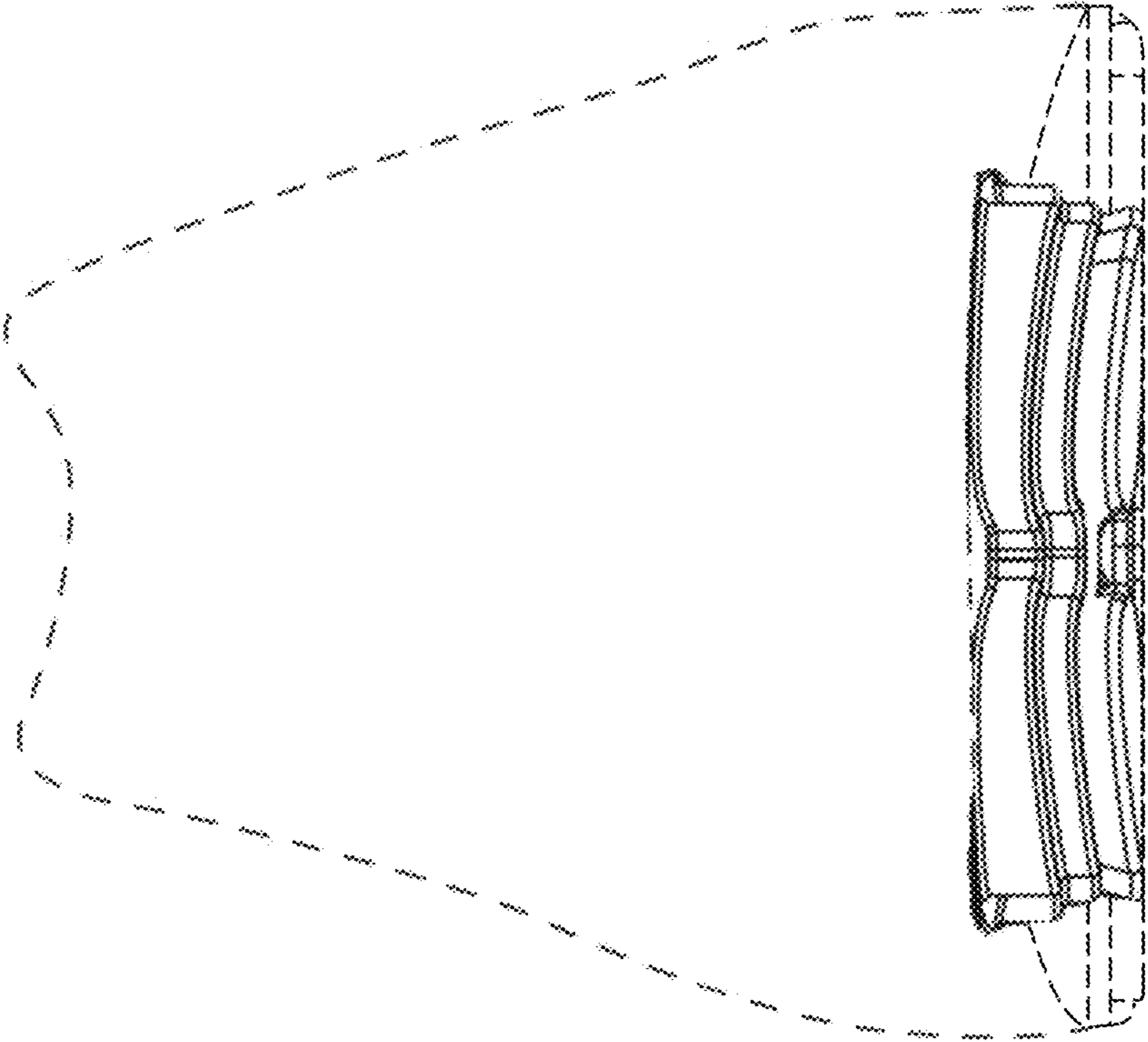


FIG. 6

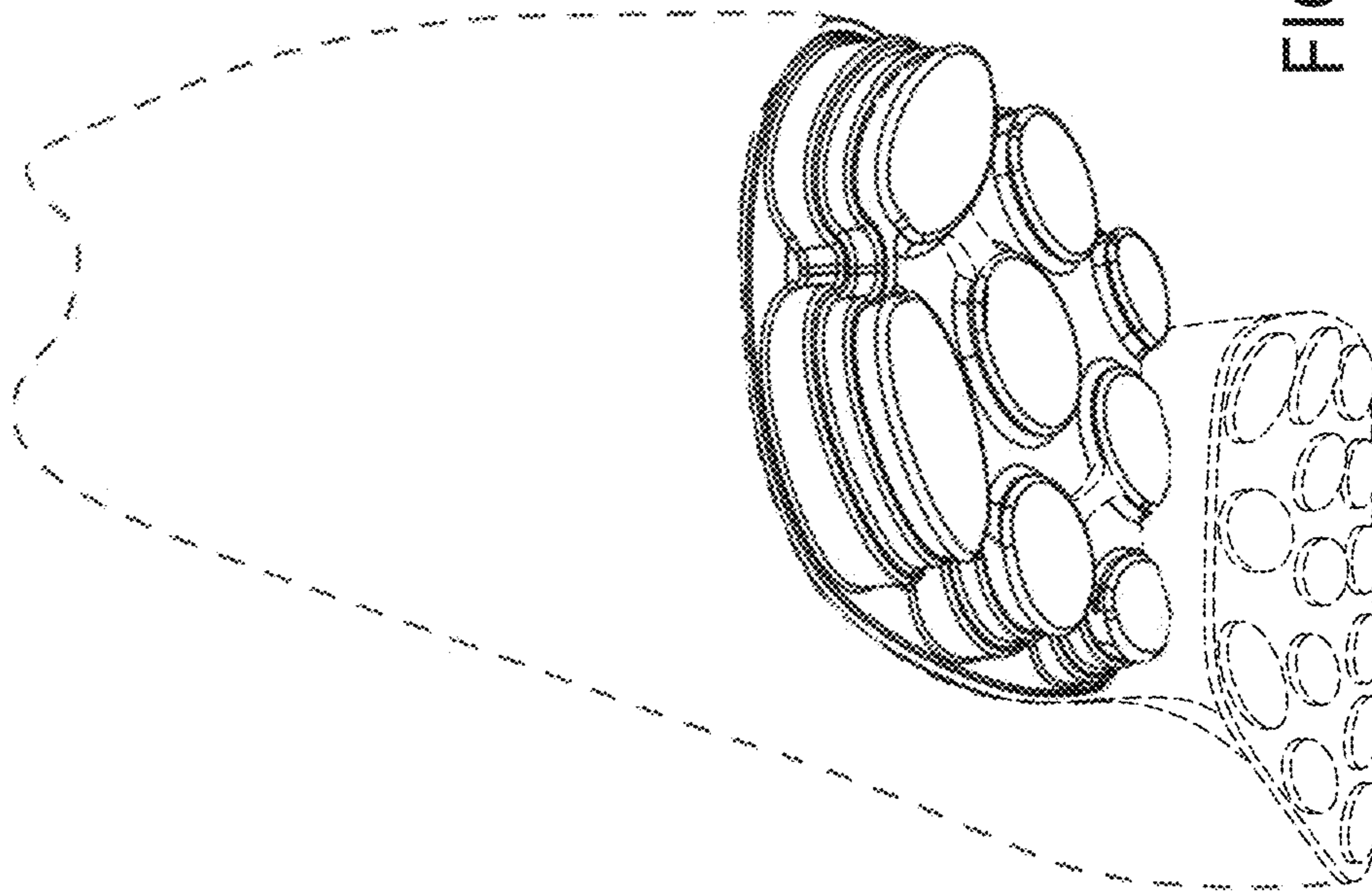


FIG. 7