



US00D858064S

(12) **United States Design Patent**  
**O'Shea et al.**

(10) **Patent No.:** **US D858,064 S**

(45) **Date of Patent:** **\*\* Sep. 3, 2019**

(54) **SHOE SOLE**

- (71) Applicant: **PUMA SE**, Herzogenaurach (DE)
- (72) Inventors: **Sean O'Shea**, Rockland, MA (US);  
**Kevin Philip Retelle**, Andover, MA (US); **Jerry Ni**, Framingham, MA (US)
- (73) Assignee: **PUMA SE**, Herzogenaurach (DE)
- (\*\*) Term: **15 Years**
- (21) Appl. No.: **29/558,015**
- (22) Filed: **Mar. 15, 2016**
- (30) **Foreign Application Priority Data**

Sep. 16, 2015 (EM) ..... 2773200

(51) **LOC (12) Cl.** ..... **02-04**

(52) **U.S. Cl.**  
USPC ..... **D2/956**; D2/951

(58) **Field of Classification Search**  
USPC ..... D2/902, 906, 908, 916, 918, 925,  
D2/946-962, 977; 36/1, 1.5, 3 B, 22 R,  
36/24.5, 25 R, 28, 32 R, 34 R, 59 C,  
36/67 A, 101-107, 114-116, 117.3, 117.4,  
36/124-136

CPC ..... A43B 13/00; A43B 13/02; A43B 13/023;  
A43B 13/026; A43B 13/04; A43B 13/08;  
A43B 13/10; A43B 13/12; A43B 13/14;  
A43B 13/16; A43B 13/18; A43B 13/28;  
A43B 13/30; A43B 13/32; A43B 13/34;  
A43B 13/36; A43B 13/141; A43B  
13/143; A43B 13/181; A43B 13/189;  
A43B 13/223; A43B 13/224

See application file for complete search history.

(56) **References Cited**

**U.S. PATENT DOCUMENTS**

- D245,736 S \* 9/1977 Famolare, Jr. .... D2/955
- 4,223,456 A \* 9/1980 Cohen ..... 36/29
- D293,849 S \* 1/1988 Peel ..... D2/955
- D321,589 S \* 11/1991 Merk et al. .... D2/954

(Continued)

**FOREIGN PATENT DOCUMENTS**

- CN 203492887 \* 3/2014 ..... A43B 13/26
- CN 203676285 \* 7/2014 ..... A43B 13/18

**OTHER PUBLICATIONS**

Ignite Men's Spikeless Golf Shoes, Puma.com, [online], [site visited Feb. 16, 2017]. <URL: [http://us.puma.com/en\\_13\\_US/pd/ignite-mens-spikeless-golf-shoes/pna188679.html?dwvar\\_pna188679\\_color=06](http://us.puma.com/en_13_US/pd/ignite-mens-spikeless-golf-shoes/pna188679.html?dwvar_pna188679_color=06)>.\*

(Continued)

*Primary Examiner* — T. Chase Nelson

*Assistant Examiner* — Jonathan J Han

(74) *Attorney, Agent, or Firm* — Leydig, Voit & Mayer, Ltd.

(57) **CLAIM**

The ornamental design for a shoe sole, as shown and described.

**DESCRIPTION**

FIG. 1 is a front elevational view of the shoe sole showing our new design;

FIG. 2 is a left side elevational view thereof;

FIG. 3 is a right side elevational view thereof;

FIG. 4 is a rear elevational view thereof; and

FIG. 5 is a bottom plan view thereof;

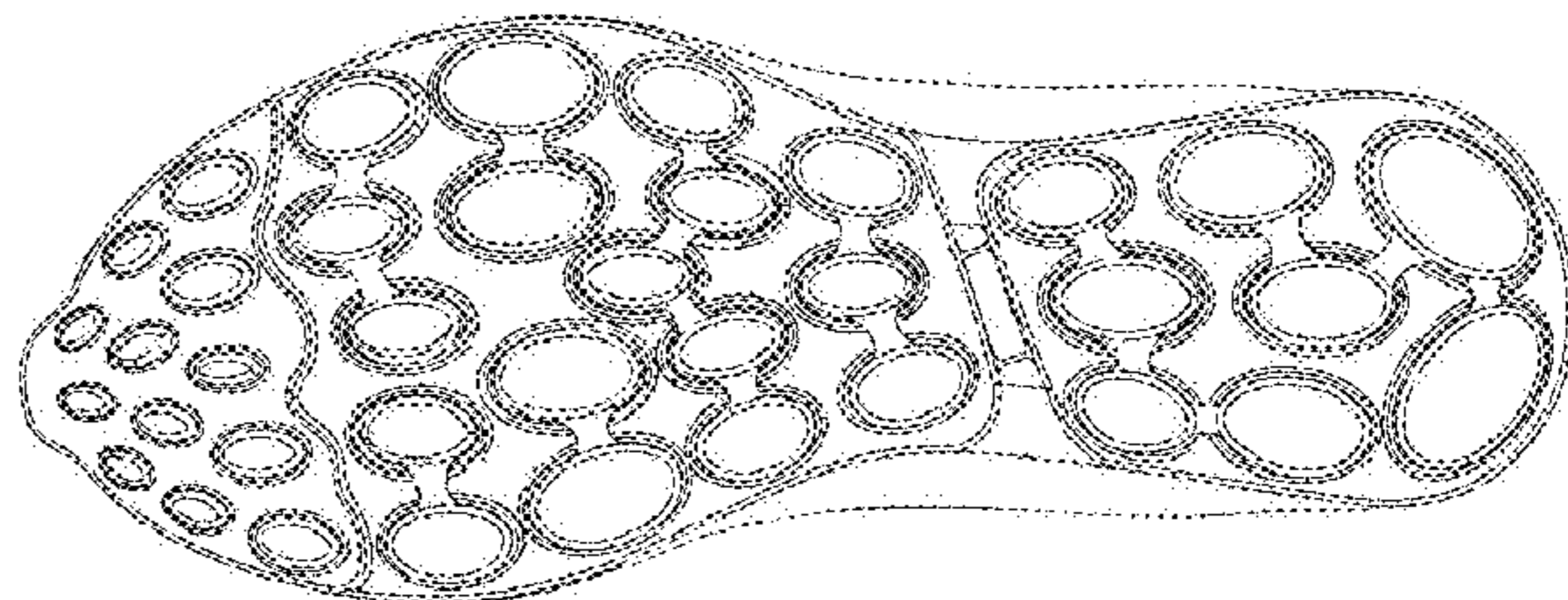
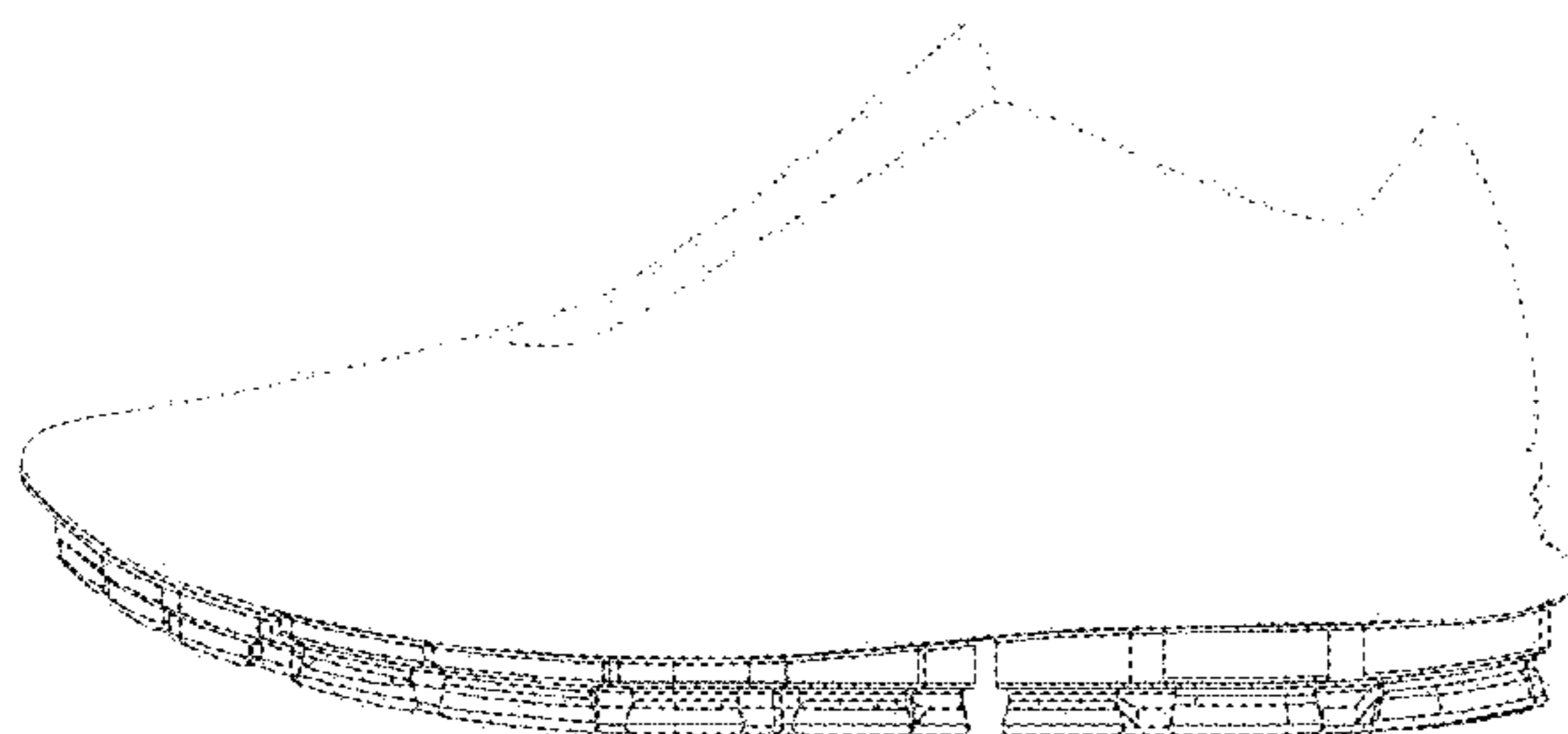
FIG. 6 is a bottom left perspective view thereof;

FIG. 7 is a rear elevational cut-out view of a single cell thereof; and,

FIG. 8 is a top rear perspective cut-out view of a single cell thereof.

Any broken lines in the drawings indicate unclaimed subject matter and/or environment and form no part of the claimed design.

**1 Claim, 8 Drawing Sheets**



(56)

References Cited

U.S. PATENT DOCUMENTS

D398,746 S \* 9/1998 Rask ..... D2/955  
 D399,040 S \* 10/1998 Merceron ..... D2/954  
 5,932,336 A \* 8/1999 Allen et al. .... 428/315.5  
 D424,792 S \* 5/2000 Briand ..... D2/955  
 D439,731 S \* 4/2001 Pawlus ..... D2/956  
 D441,945 S \* 5/2001 Della Valle ..... D2/956  
 D443,975 S \* 6/2001 Della Valle ..... D2/956  
 D459,577 S \* 7/2002 McClaskie ..... D2/955  
 D461,947 S \* 8/2002 Merceron ..... D2/956  
 D467,711 S \* 12/2002 Chen ..... D2/956  
 D478,714 S \* 8/2003 Recchi ..... D2/954  
 D549,937 S \* 9/2007 Matis et al. .... D2/956  
 D560,334 S \* 1/2008 Della Valle ..... D2/956  
 D564,739 S \* 3/2008 Belley et al. .... D2/956  
 D566,934 S \* 4/2008 Della Valle ..... D2/954  
 D571,091 S \* 6/2008 Belley et al. .... D2/956  
 D599,091 S \* 9/2009 Della Valle et al. .... D2/954  
 7,784,196 B1 \* 8/2010 Christensen et al. .... 36/29  
 7,966,748 B2 \* 6/2011 Votolato ..... 36/15  
 D656,720 S \* 4/2012 Wawrousek ..... D2/954  
 D661,882 S \* 6/2012 Raysse ..... D2/954  
 D662,295 S \* 6/2012 Raysse ..... D2/954  
 D663,929 S \* 7/2012 Teng-Lee ..... D2/954  
 D679,488 S \* 4/2013 Raysse ..... D2/954  
 D680,312 S \* 4/2013 Raysse ..... D2/954  
 D683,941 S \* 6/2013 Raysse ..... D2/954  
 D685,984 S \* 7/2013 Raysse ..... D2/954

D707,930 S \* 7/2014 Raysse ..... D2/954  
 D712,123 S \* 9/2014 Goldman ..... D2/954  
 D730,638 S \* 6/2015 Christensen ..... D2/954  
 2014/0331517 A1 \* 11/2014 Seo ..... 36/28  
 2016/0037859 A1 \* 2/2016 Smith ..... 36/114

OTHER PUBLICATIONS

Titanlite Men's Golf Shoes, Puma.com, [online], [site visited Feb. 16, 2017]. <URL: [http://us.puma.com/en\\_US/pd/titanlite-mens-golf-shoes/pna187579.html?dwvar\\_pna187579\\_color=08](http://us.puma.com/en_US/pd/titanlite-mens-golf-shoes/pna187579.html?dwvar_pna187579_color=08)>.\*  
 Puma Golf Women's Titantour Jr. (Little Kid/Big Kid) Sneakers & Athletic Shoes, iShoesNet.com, Mar. 15, 2016, [online], [site visited Feb. 16, 2017]. <URL: <http://www.ishoesnet.com/puma-golf-womens-titantour-jr-little-kidbig-kid-sneakers-athletic-shoes-2/>>.\*  
 A Review of the Merrell Proterra Mid, ToeSalad.com, Mar. 4, 2013 by Huib van der Wal, [online], [site visited Feb. 16, 2017]. <URL: <http://toesalad.com/reviews/a-review-of-the-merrell-proterra-mid/>>.\*  
 Running Styles Market Sneaker Outsole, Alibaba.com, [online], [site visited Feb. 16, 2017]. <URL: [https://www.alibaba.com/product-detail/running-styles-sneaker-outsole-outsole-material\\_60271004725.html](https://www.alibaba.com/product-detail/running-styles-sneaker-outsole-outsole-material_60271004725.html)>.\*  
 Adidas Vengeful Review, RunningShoesGuru.com, Oct. 31, 2016, [online], [site visited Feb. 16, 2017]. <URL: <http://www.runningshoesguru.com/2016/08/adidas-vengeful-review/>>.\*

\* cited by examiner

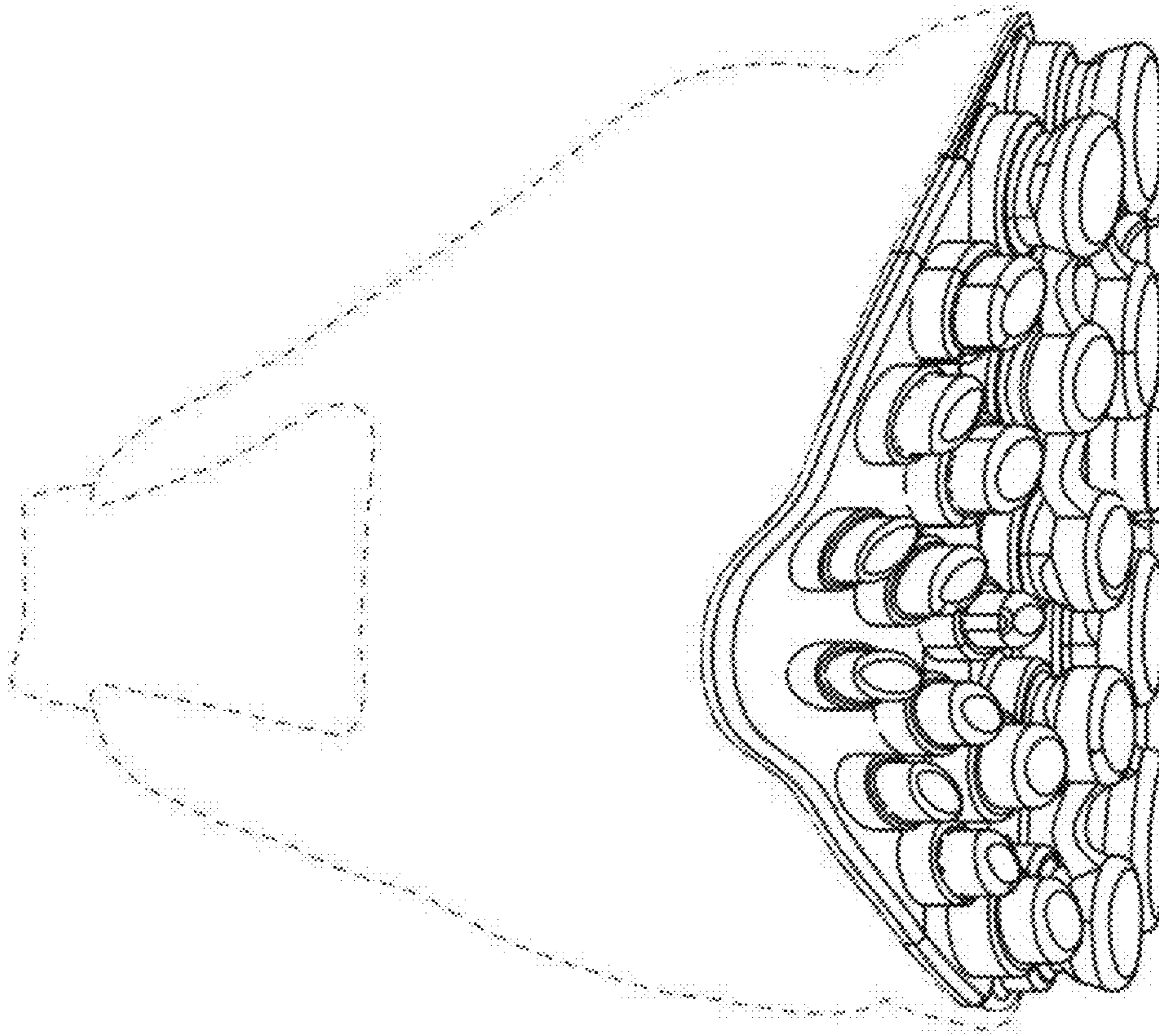


FIG. 1

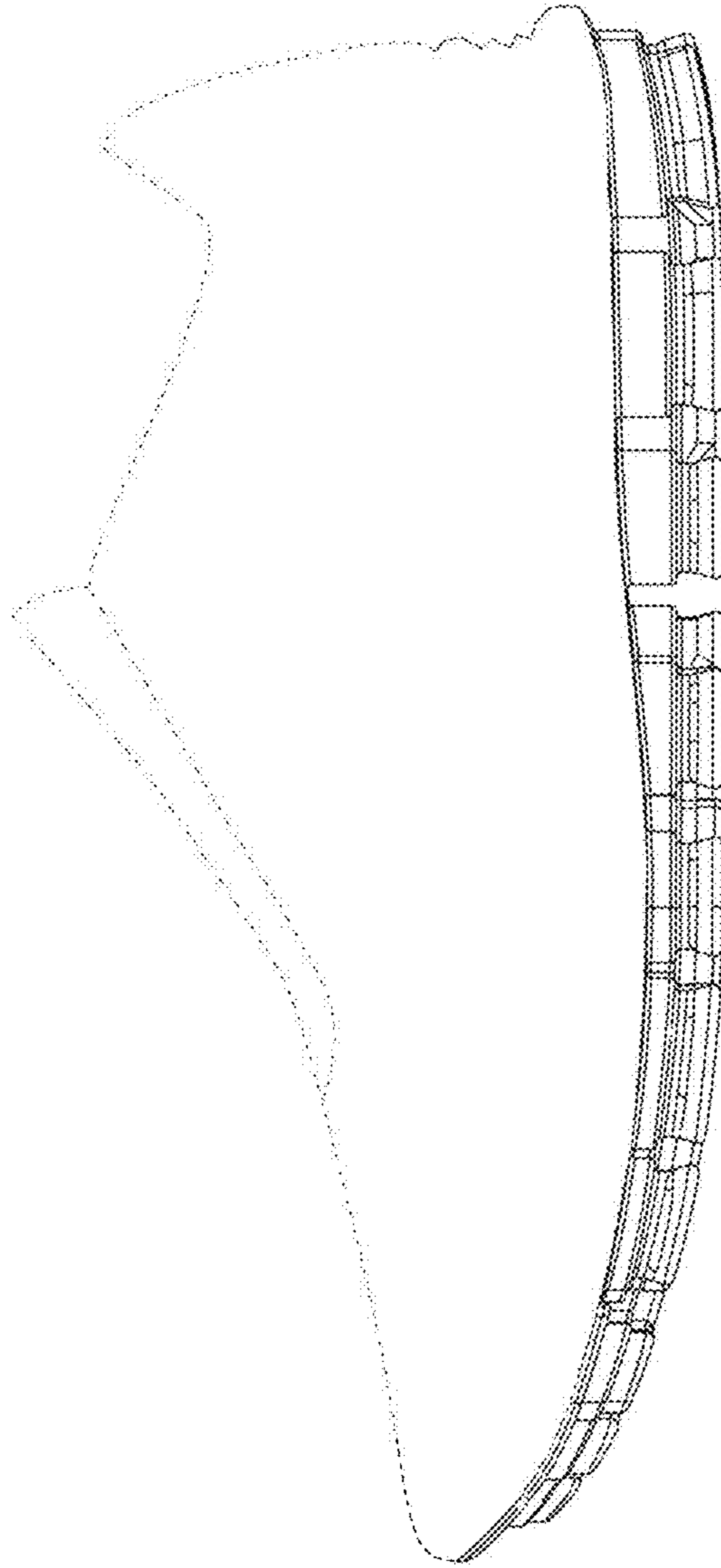


FIG. 2

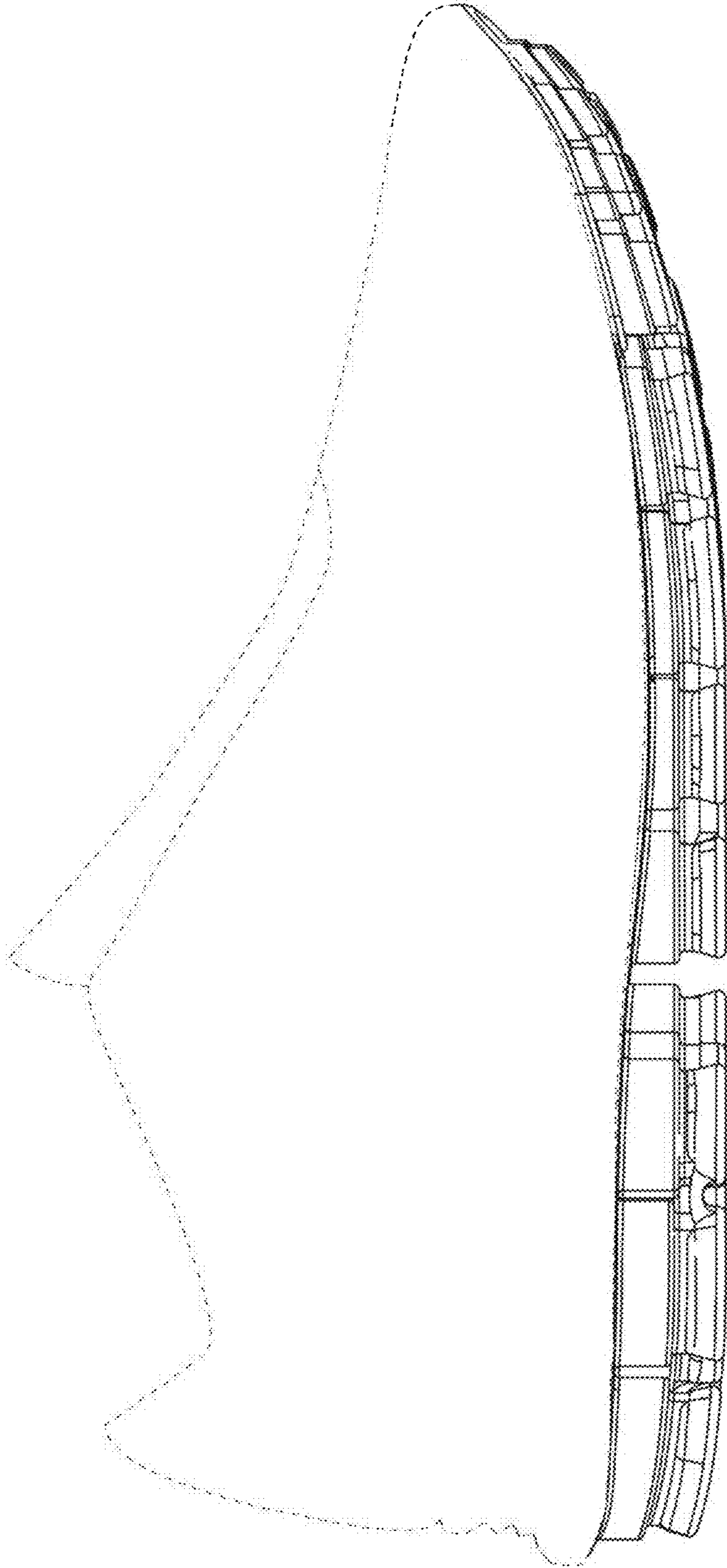


FIG. 3

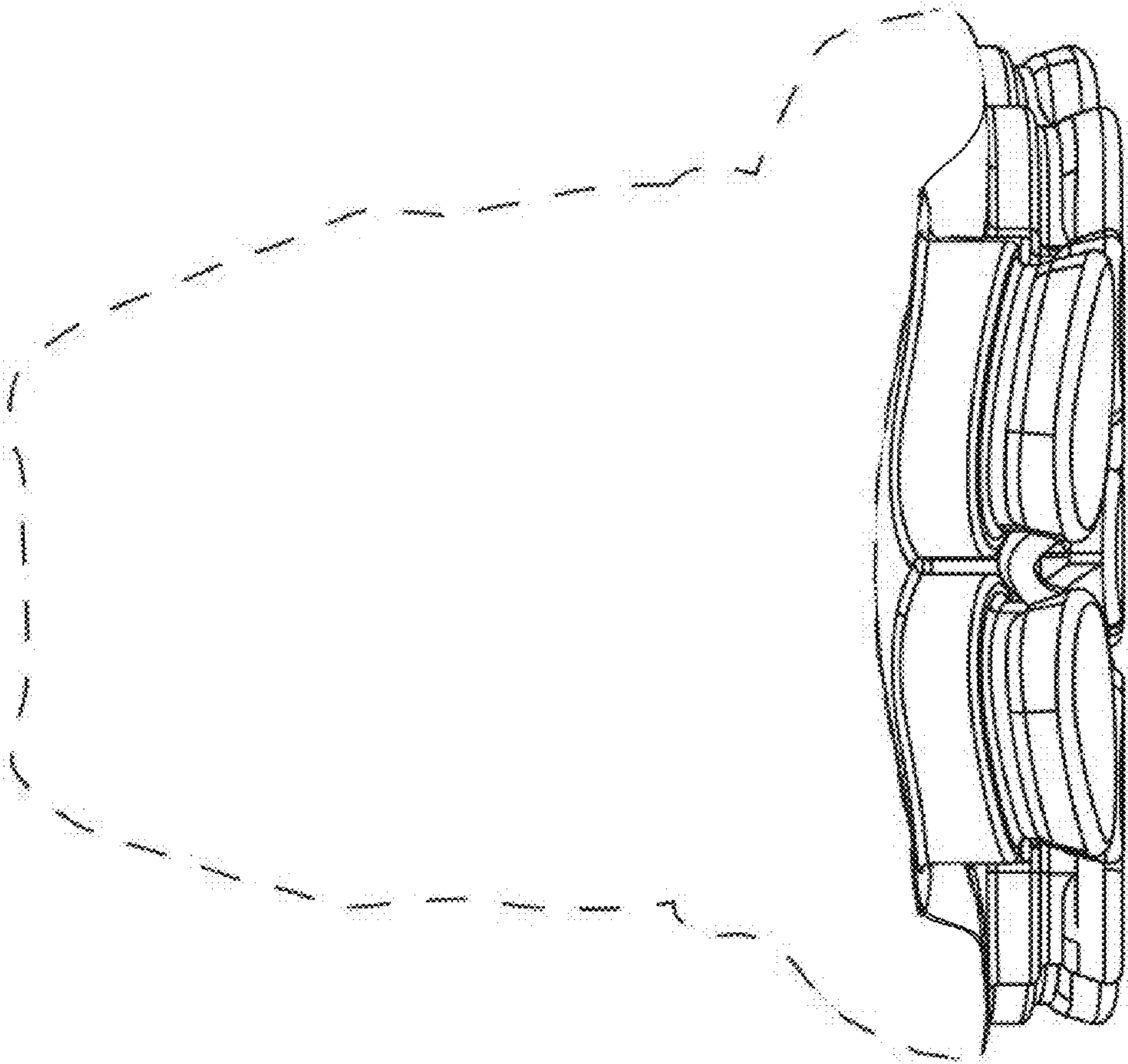


FIG. 4

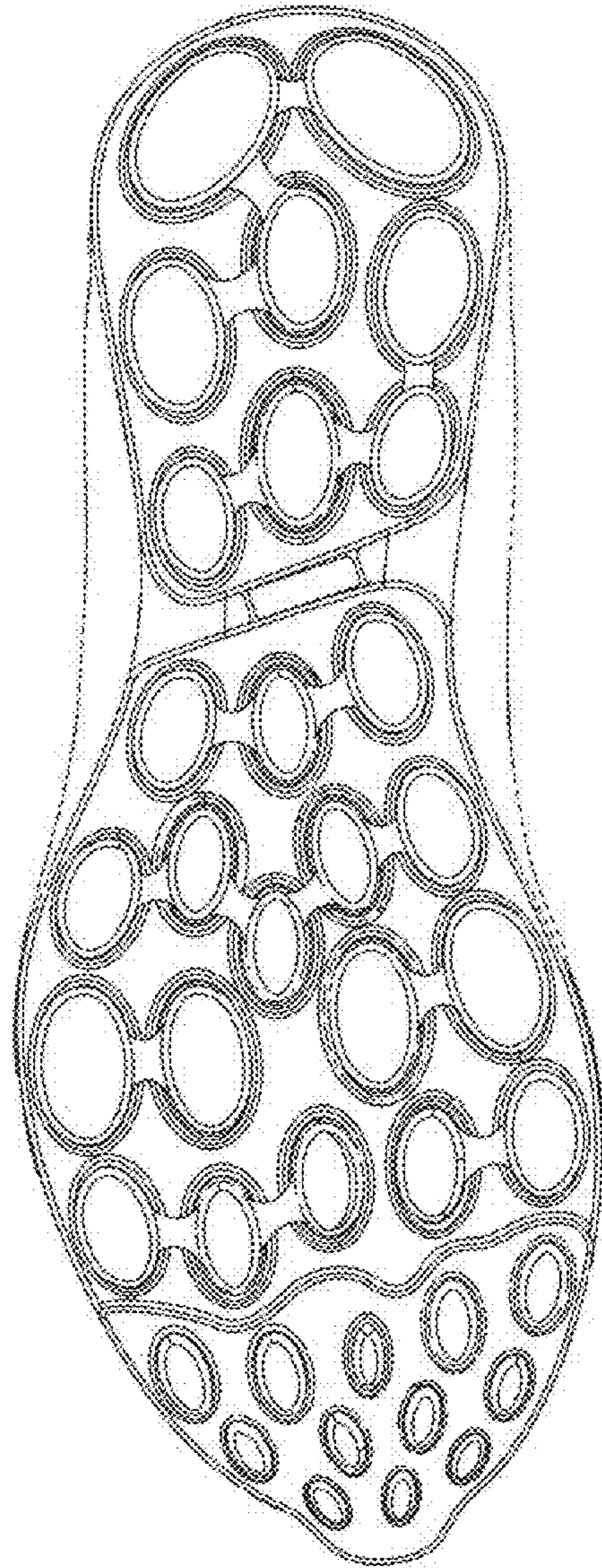


FIG. 5

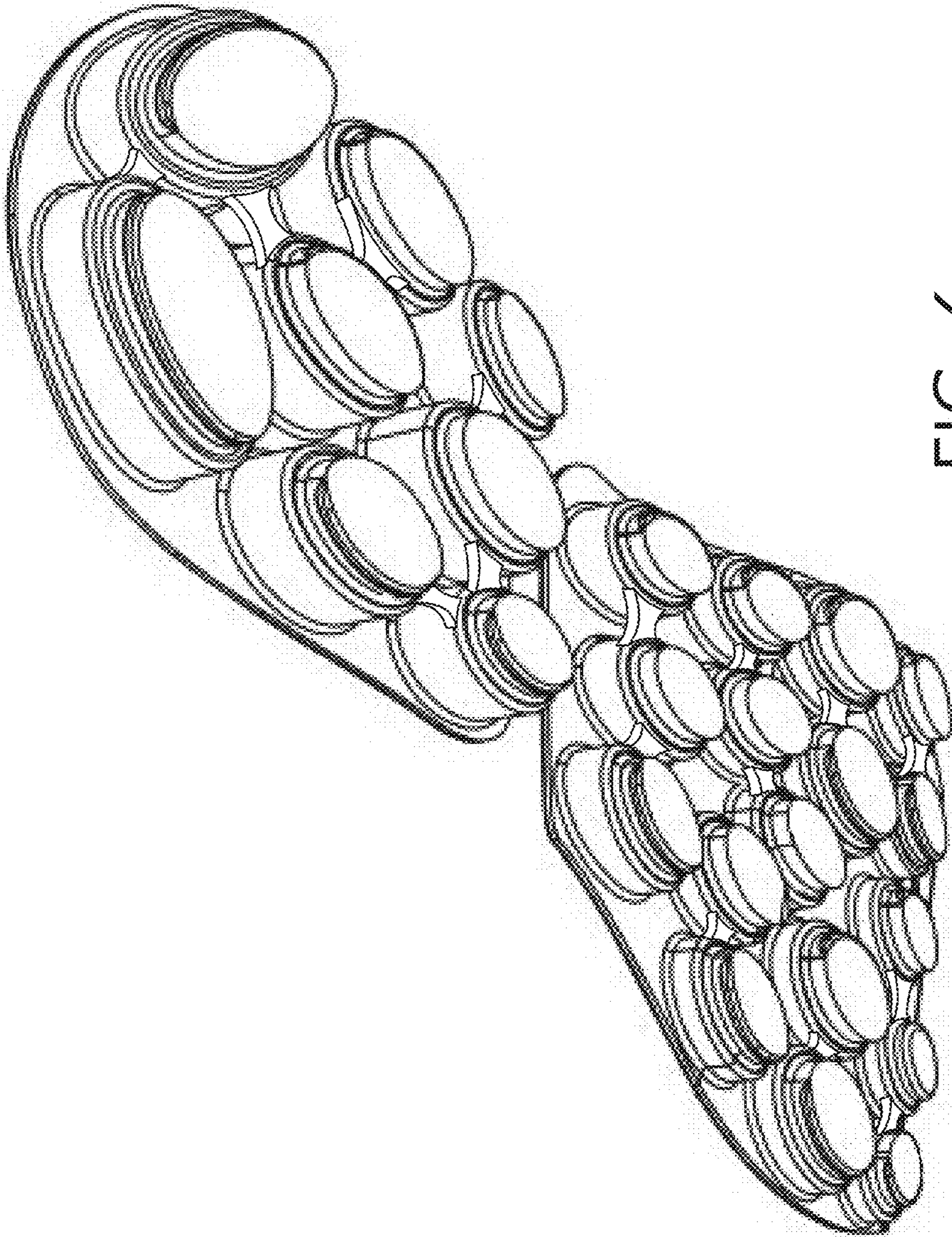


FIG. 6



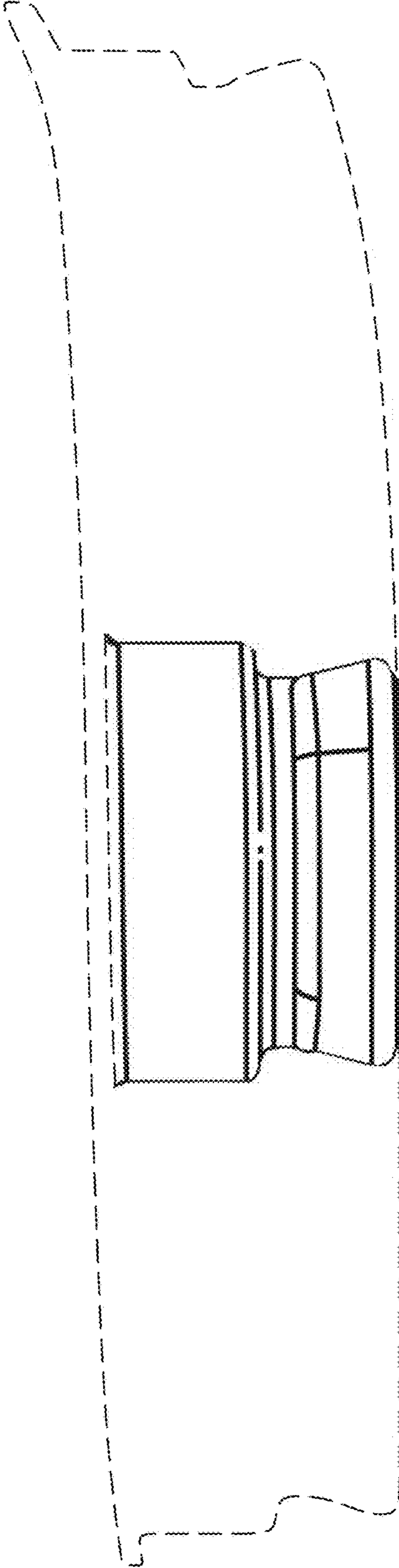


FIG. 7

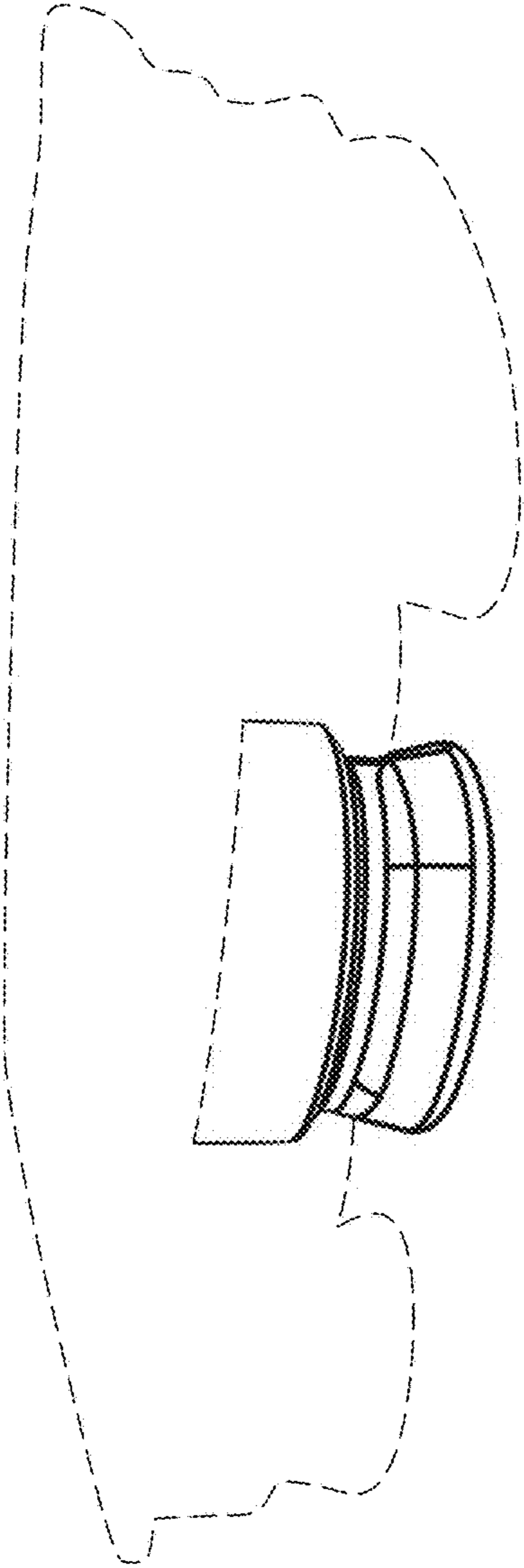


FIG. 8