



US00D858061S

(12) **United States Design Patent**  
**Couch**

(10) **Patent No.:** **US D858,061 S**

(45) **Date of Patent:** **\*\* Sep. 3, 2019**

(54) **SHOES**

(71) Applicant: **Mylissa C. Couch**, Pawling, NY (US)

(72) Inventor: **Mylissa C. Couch**, Pawling, NY (US)

(\*\*) Term: **15 Years**

(21) Appl. No.: **29/609,818**

(22) Filed: **Jul. 6, 2017**

(51) **LOC (12) Cl.** ..... **02-04**

(52) **U.S. Cl.**

USPC ..... **D2/954**; D2/951; D2/955

(58) **Field of Classification Search**

USPC ..... D2/902, 906, 908, 916, 918, 925,  
D2/946-962, 977; 36/1, 1.5, 3 B, 22 R,  
36/24.5, 25 R, 28, 32 R, 34 R, 59 C,  
36/67 A, 101-107, 114-116, 117.3, 117.4,  
36/124-136; D12/544; D6/702, 620;  
D9/447

CPC ..... A43B 13/00; A43B 13/02; A43B 13/023;  
A43B 13/026; A43B 13/04; A43B 13/08;  
A43B 13/10; A43B 13/12; A43B 13/14;  
A43B 13/141; A43B 13/143; A43B  
13/16; A43B 13/18; A43B 13/181; A43B  
13/187; A43B 13/189; A43B 13/20; A43B  
13/22; A43B 13/223; A43B 13/24; A43B  
13/28; A43B 13/30; A43B 13/32; A43B  
13/34; A43B 13/36

See application file for complete search history.

(56) **References Cited**

**U.S. PATENT DOCUMENTS**

897,920 A \* 9/1908 McIntyre ..... A43B 13/181  
36/28  
D248,192 S \* 6/1978 Stevenson ..... D2/908  
D299,010 S \* 12/1988 Wall ..... D9/435  
5,086,574 A \* 2/1992 Bacchiocchi ..... A43B 21/26  
36/28

D353,082 S \* 12/1994 Keven ..... D12/420  
5,560,126 A \* 10/1996 Meschan ..... A43B 3/0042  
36/15  
D379,115 S \* 5/1997 Kramer ..... D2/964  
D392,445 S \* 3/1998 Tresser ..... D2/951  
(Continued)

**OTHER PUBLICATIONS**

12/16/20 oz. Traveler Lids for Solo Bare Biodegradable Hot Cup,  
White, FoodBizSuply.com, [online], [site visited Nov. 21, 2018].  
<URL: <https://www.foodbizsupply.com/12-16-20-oz-traveler-lids-for-solo-bare-biodegradable-hot-cup-white.html>> (Year: 2018).\*

(Continued)

*Primary Examiner* — T Chase Nelson  
*Assistant Examiner* — Jonathan J. Han  
(74) *Attorney, Agent, or Firm* — Law Offices of Michael  
L. Wise, LLC

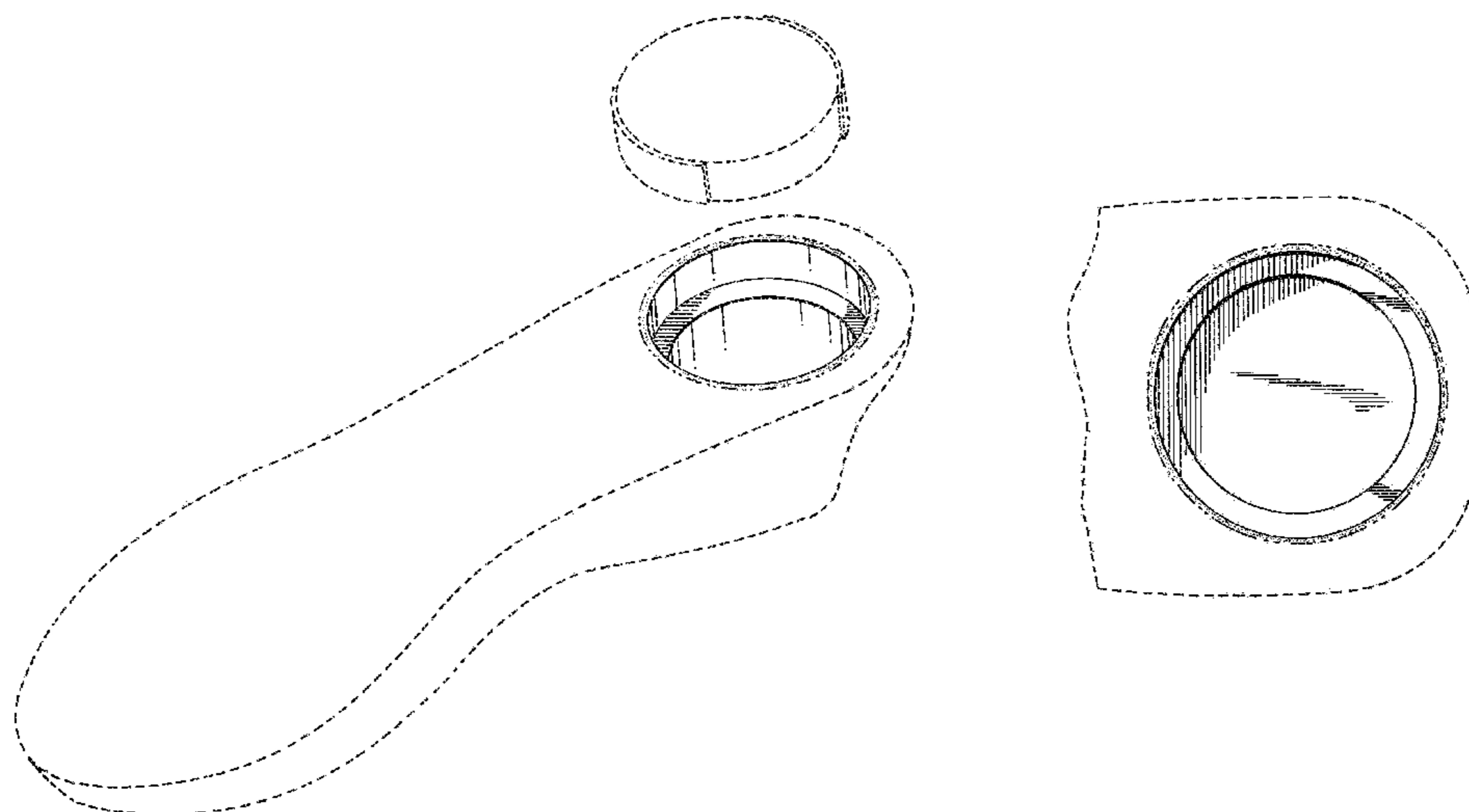
(57) **CLAIM**

The ornamental design for a shoe, as shown and described.

**DESCRIPTION**

FIG. 1 is a right perspective view of a shoe showing my new design;  
FIG. 2 is a left perspective view of a rearward portion thereof;  
FIG. 3 is a right perspective view of a rearward portion thereof;  
FIG. 4 is a top plan view of a rearward portion thereof; and,  
FIG. 5 is a rear perspective view of a rearward portion thereof.  
Broken lines around the top circular opening of the shoe in FIGS. 1-5 represent the bounds of the claimed design. All other broken lines are directed to unclaimed environmental subject matter and form no part of the claimed design.

**1 Claim, 3 Drawing Sheets**



(56)

References Cited

U.S. PATENT DOCUMENTS

5,794,361 A \* 8/1998 Sadler ..... A43B 13/206  
36/29  
5,970,628 A \* 10/1999 Meschan ..... A43B 21/26  
36/15  
6,205,684 B1 \* 3/2001 Snyder ..... A43B 7/144  
36/141  
D506,054 S \* 6/2005 Sonnergren ..... D2/953  
D552,837 S \* 10/2007 Scott ..... D2/953  
D575,946 S \* 9/2008 Mitani ..... D2/946  
D594,200 S \* 6/2009 Nakano ..... D2/961  
7,726,042 B2 \* 6/2010 Meschan ..... A43B 21/30  
36/27  
8,191,284 B2 \* 6/2012 Cho ..... A43B 7/081  
36/28  
8,557,157 B2 \* 10/2013 Nakano ..... A43B 1/0072  
264/244  
D721,249 S \* 1/2015 Kienle ..... D7/510  
9,220,316 B2 \* 12/2015 Kim ..... A43B 17/035  
D751,899 S \* 3/2016 Chu ..... D9/443  
D761,649 S \* 7/2016 Buck ..... D9/447  
D764,291 S \* 8/2016 Lemke ..... D9/436  
D767,391 S \* 9/2016 Buck ..... D9/447  
D777,527 S \* 1/2017 Landphere ..... D12/419  
D779,288 S \* 2/2017 Willingham ..... D7/642  
D784,072 S \* 4/2017 Baron ..... D7/392.1  
D802,897 S \* 11/2017 Howe ..... D2/953  
D814,755 S \* 4/2018 McManus ..... D2/957  
D818,229 S \* 5/2018 Ha ..... D32/29.1

D820,634 S \* 6/2018 Michie ..... D7/392.1  
D821,790 S \* 7/2018 Weirun ..... D6/702  
D824,151 S \* 7/2018 Newman ..... D2/957  
10,034,520 B1 \* 7/2018 Jafarifar ..... A43C 15/164  
D831,316 S \* 10/2018 Mial ..... D2/947  
D832,642 S \* 11/2018 Buck ..... D7/392.1  
2006/0117609 A1 \* 6/2006 Guichard ..... A43B 13/143  
36/116  
2006/0156575 A1 \* 7/2006 Lo ..... A43B 7/081  
36/3 B  
2007/0011908 A1 \* 1/2007 Huang ..... A43B 1/0045  
36/3 B  
2010/0031530 A1 \* 2/2010 Abshire ..... A43B 21/26  
36/28

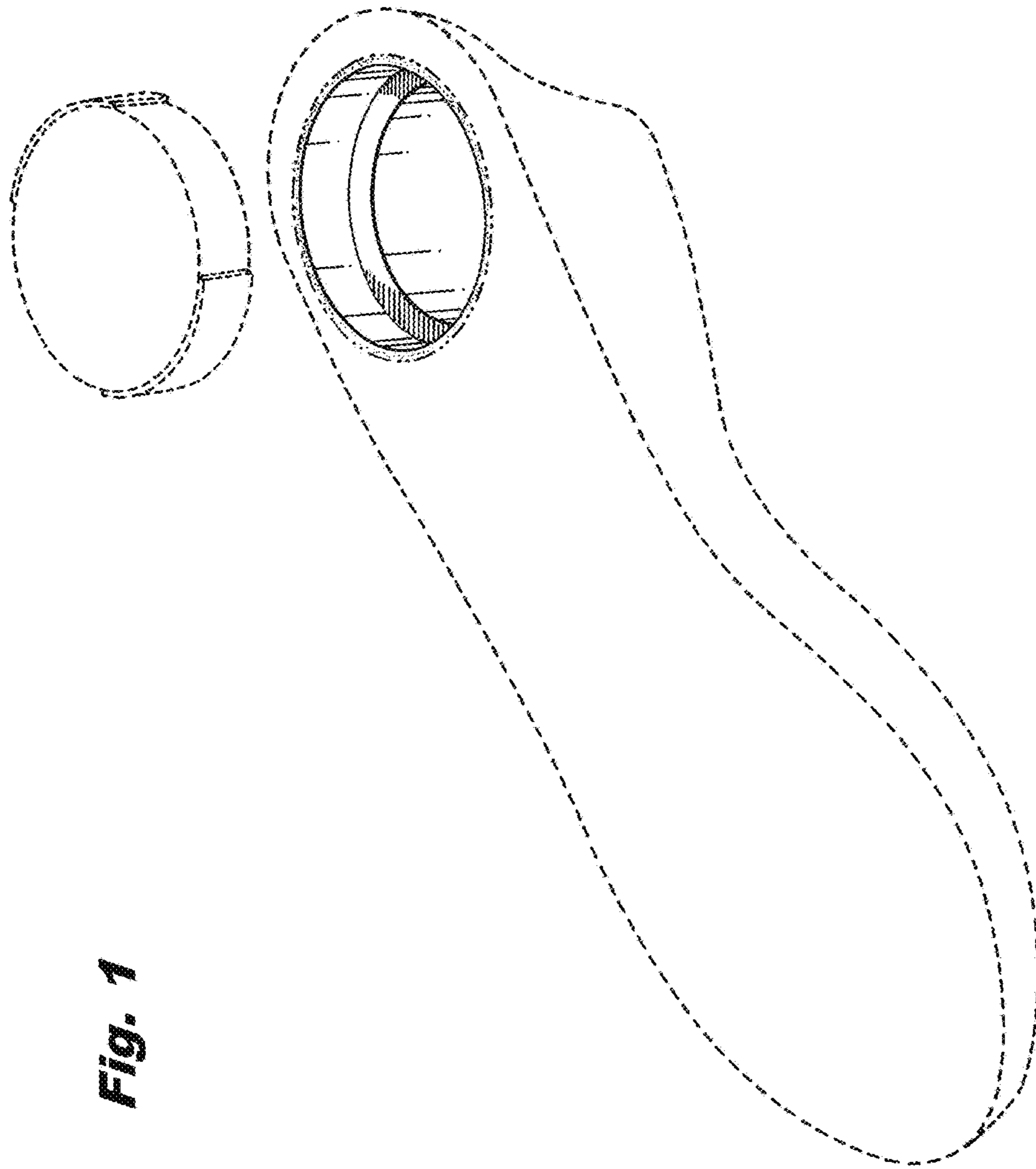
OTHER PUBLICATIONS

Stainless Steel Shallow Drop In Drink Holder, CasinoSupply.com, [online], [site visited Nov. 21, 2018]. <URL: <https://www.casinosupply.com/products/stainless-steel-shallow-drop-in-drink-holder-1>> (Year: 2018).\*

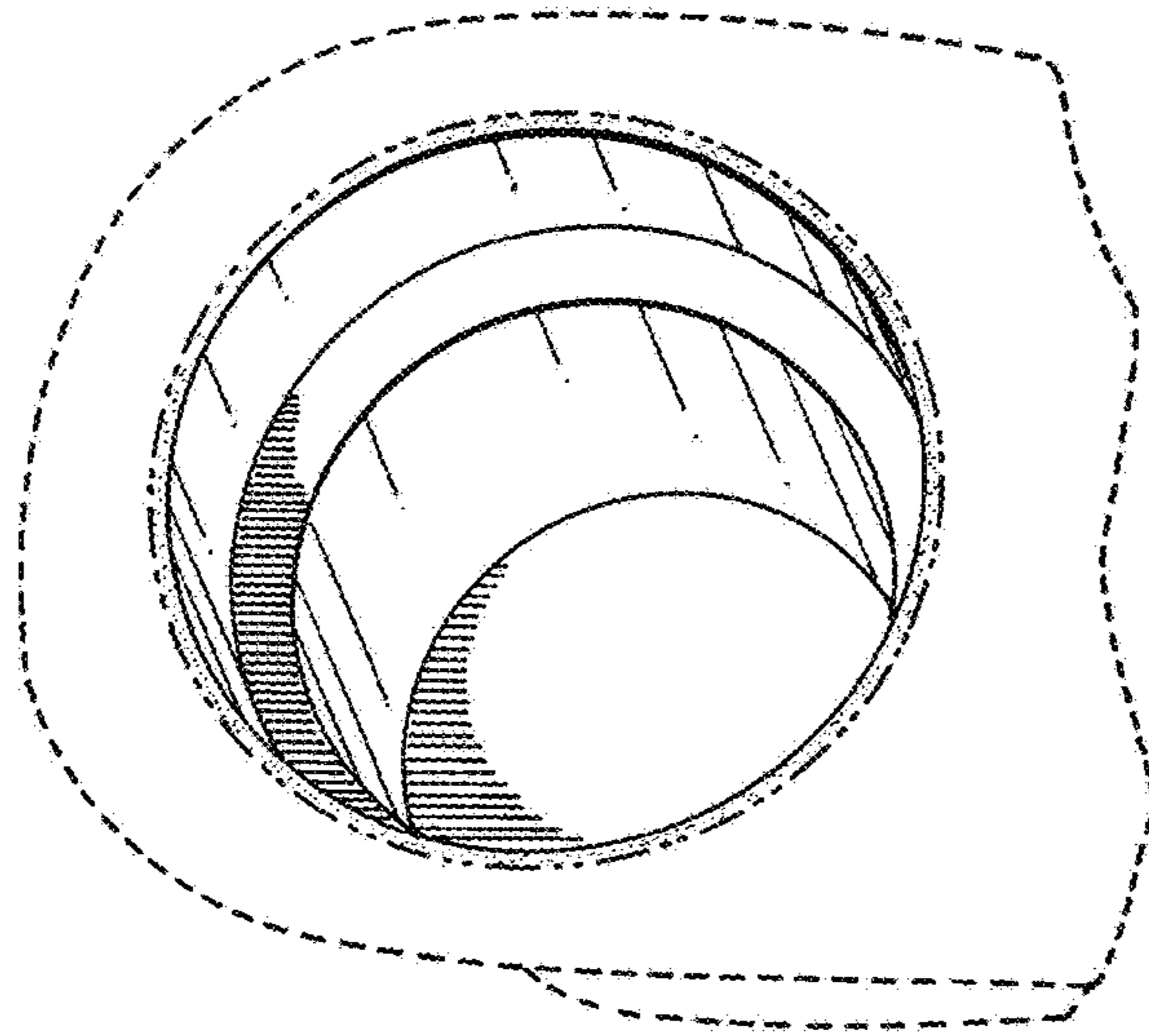
TK0075 MAN Front Axle Nut Socket, HandyForce.com, [online], [site visited Nov. 21, 2018]. <URL: <https://www.handyforce.com/products/detail/5410.html>> (Year: 2018).\*

K1155\_A, Kipp.kr, [online], [site visited Nov. 21, 2018]. <URL: <https://www.kipp.kr/kr/ko/%EC%A0%9C%ED%92%88/%EC%9E%91%EB%8F%99-%EB%B6%80%ED%92%88-%EC%8A%A4%ED%83%A0%EB%8B%A4%EB%93%9C-%EB%B6%80%ED%92%88>> (Year: 2018).\*

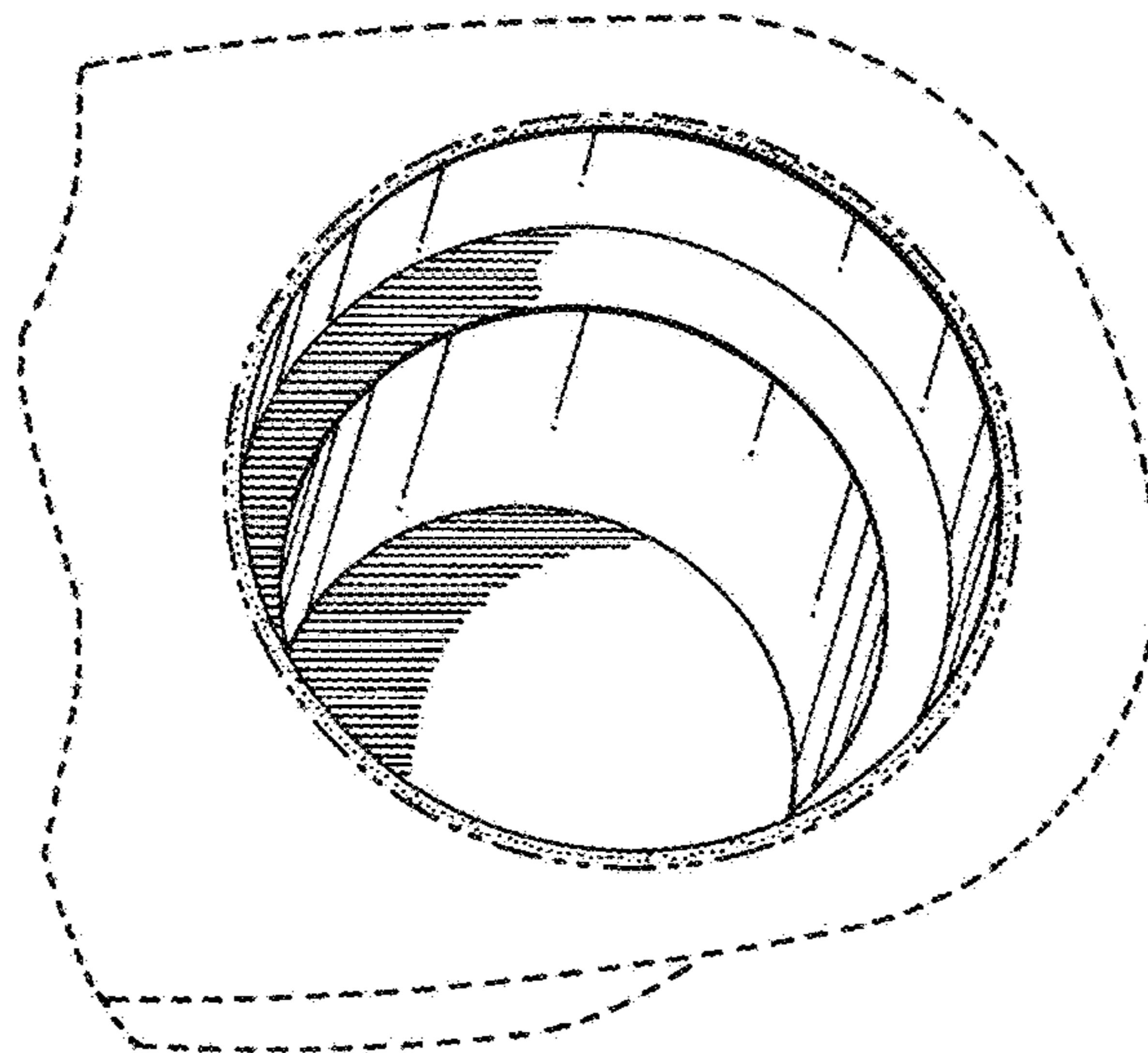
\* cited by examiner



**Fig. 1**

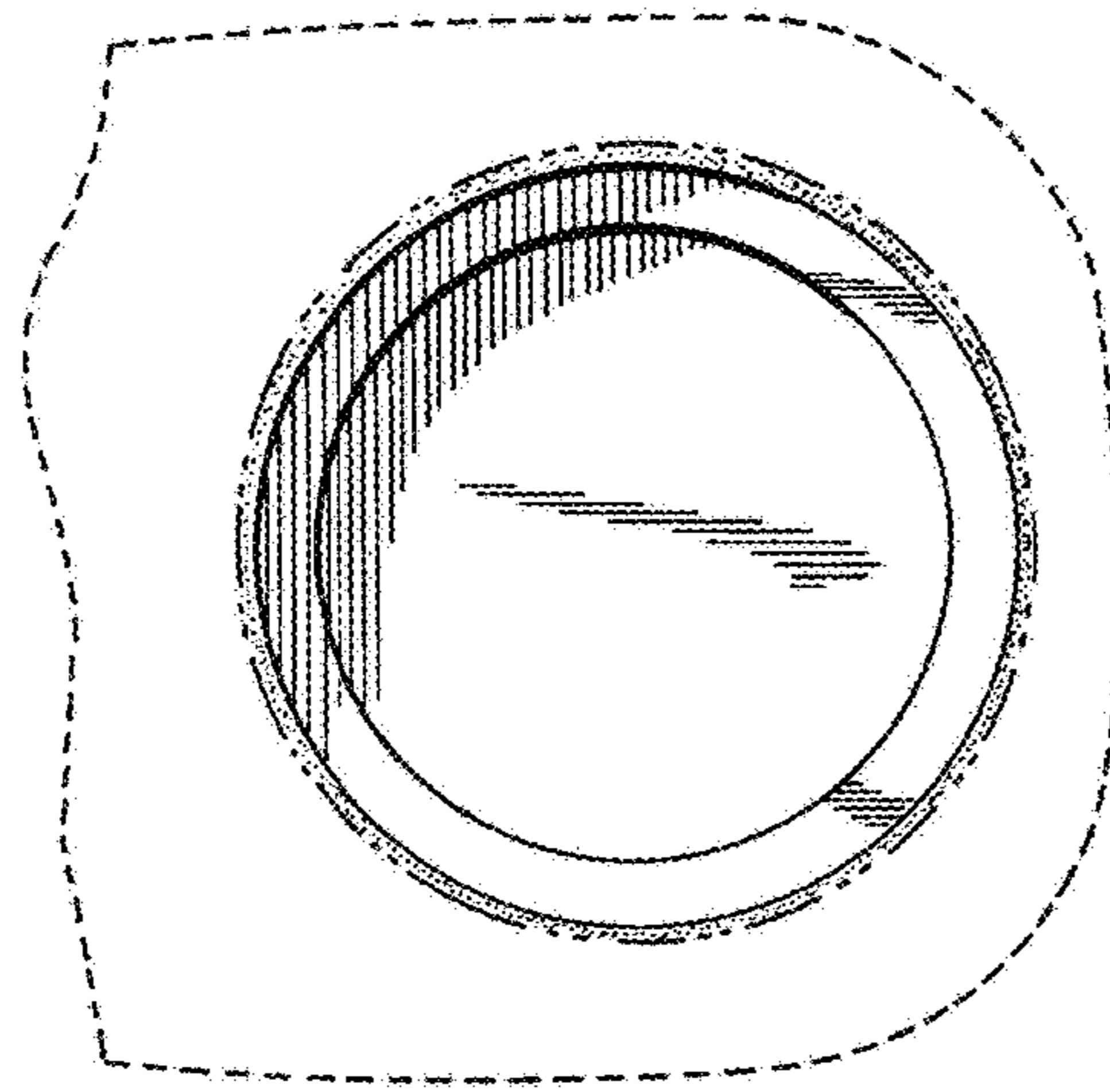


**Fig. 2**

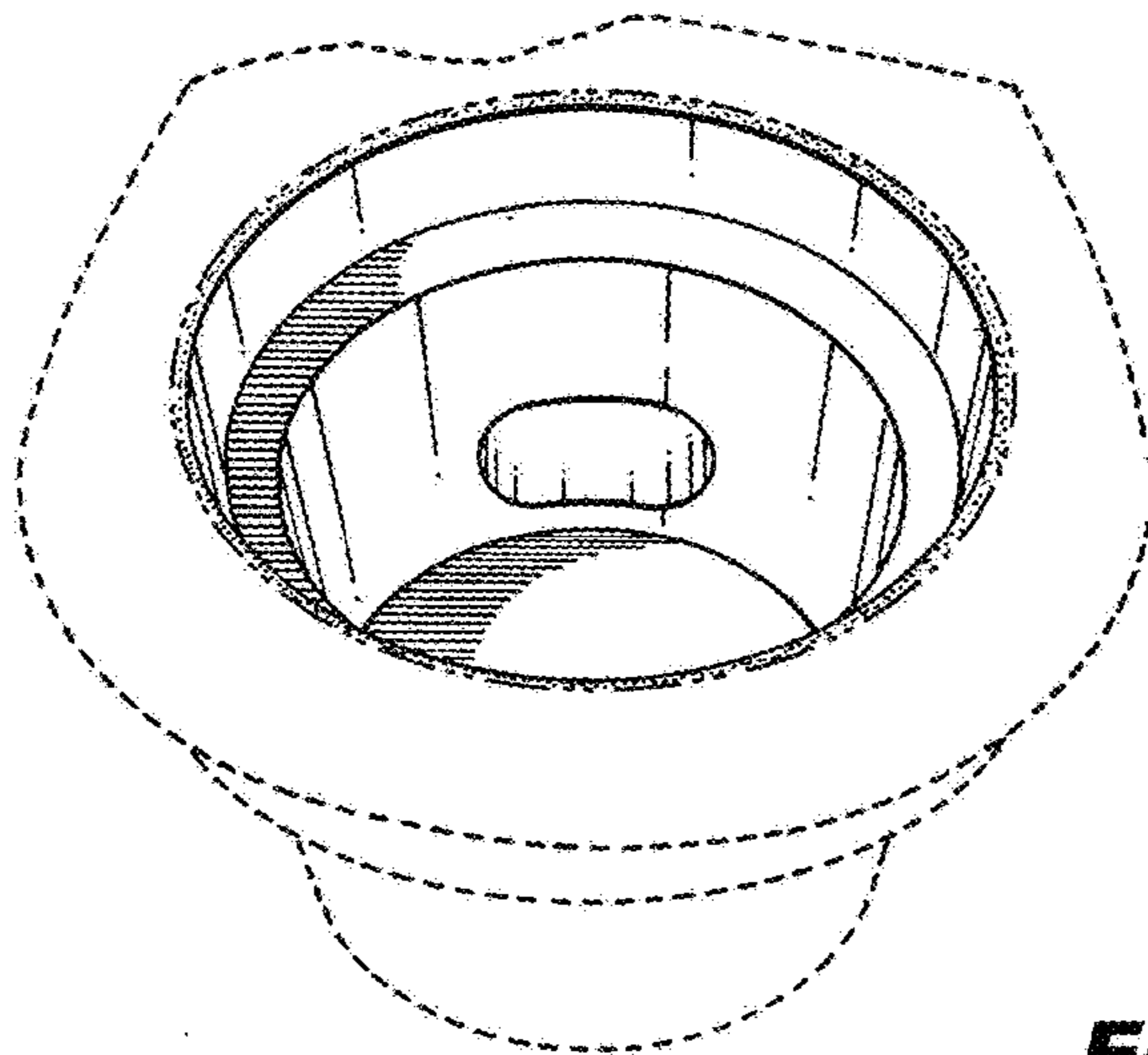


**Fig. 3**





**Fig. 4**



**Fig. 5**