



US00D858055S

(12) **United States Design Patent** (10) **Patent No.:** **US D858,055 S**
Kasprzak et al. (45) **Date of Patent:** **** Sep. 3, 2019**

(54) **SOLE FOR FOOTWEAR**

(71) Applicant: **ECCO Sko A/S**, Bredebro (DK)

(72) Inventors: **Dieter Kasprzak**, Bredebro (DK);
Ejnar Truelsen, Tonder (DK)

(73) Assignee: **ECCO Sko A/S**, Bredebro (DK)

(**) Term: **15 Years**

(21) Appl. No.: **29/624,596**

(22) Filed: **Nov. 2, 2017**

Related U.S. Application Data

(62) Division of application No. 35/501,362, filed on Jun. 3, 2016 (U.S. filing date under 35 U.S.C. 384), and having an international filing date of Jun. 3, 2016, now Pat. No. Des. 807,622.

(51) **LOC (12) Cl.** **02-04**

(52) **U.S. Cl.**
USPC **D2/951**

(58) **Field of Classification Search**
USPC D2/896, 902, 906-911, 919, 922,
D2/923-927, 936, 939, 941, 942, 945,
D2/947, 949, 953, 964-966, 968-972,
D2/951, 954
CPC A43B 1/0027; A43B 21/24; A43B 21/36;
A43B 21/42; A43B 21/51; A43B 21/52;
A43B 21/54; A43B 23/227; A43B 3/24;
A43B 3/246; A43B 9/02; A43B 17/02;
A43B 13/12; A43B 13/28; A43B 13/42;
A43B 21/32; A43B 3/108; A43B 13/16;
A43B 5/12; A43B 3/248; A43B 3/10;
A43B 13/122; A43B 3/14; A43B 13/141;
A43B 13/181; A43B 13/184; A43B
13/20; A43B 1/00; A43B 1/0009; A43B
1/04; A43B 23/0295; A43B 5/00

See application file for complete search history.

(56) **References Cited**

U.S. PATENT DOCUMENTS

D473,698 S	4/2003	St-Louis	
D555,343 S *	11/2007	Bettencourt	D2/972
D559,516 S *	1/2008	Norton	D2/962
D608,990 S *	2/2010	Truelsen	D2/946
D614,849 S *	5/2010	Guest	D2/972
D629,598 S *	12/2010	Portzline	D2/972
D639,041 S *	6/2011	Truelsen	D2/969

(Continued)

OTHER PUBLICATIONS

ECCO Mens Cage Golf Shoe, amazon release date Jan. 14, 2016, viewed online Nov. 9, 2018. Available at URL: https://www.amazon.com/dp/B010RS04PU/ref=sspa_dk_detail_19?psc=1&pd_rd_i=B010RS04PU.*

(Continued)

Primary Examiner — Jennifer L Watkins

(74) *Attorney, Agent, or Firm* — Finnegan, Henderson, Farabow, Garrett & Dunner LLP

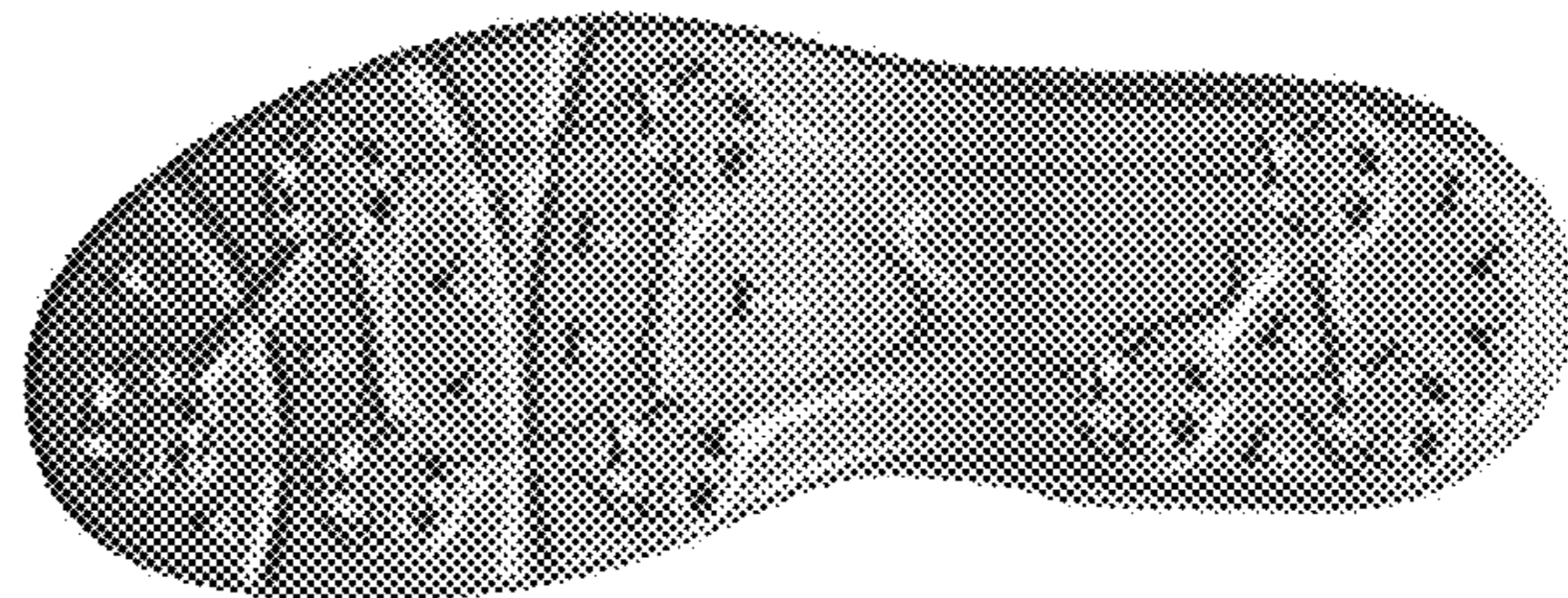
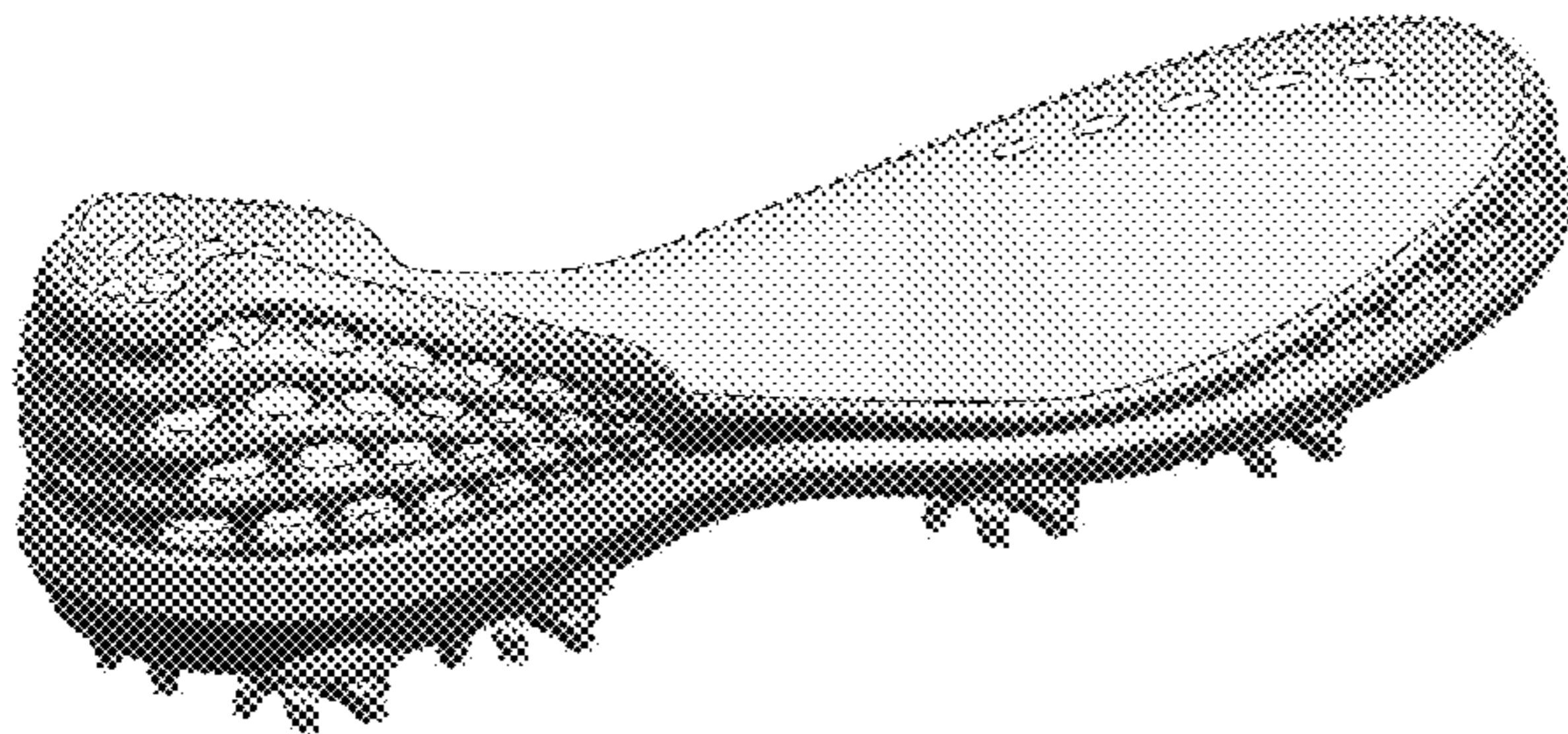
(57) **CLAIM**

The ornamental design for a sole for footwear, as shown and described.

DESCRIPTION

FIG. 1 is a back left perspective view of the sole for footwear showing our new design;
FIG. 2 is a front elevation view thereof;
FIG. 3 is back elevation view thereof;
FIG. 4 is a left side elevation view thereof, with spike features not shown;
FIG. 5 is a right side elevation view thereof, with spike features not shown; and,
FIG. 6 is a bottom plan view thereof.
The broken lines of uneven length represent the boundary of the claimed design and form no part of the claimed design. The light grey portions inside of the boundary lines form no part of the claim.

1 Claim, 6 Drawing Sheets



(56)

References Cited

U.S. PATENT DOCUMENTS

D676,636	S *	2/2013	Truelsen	D2/947
D679,899	S *	4/2013	Taestensen	D2/951
D681,930	S *	5/2013	Hansen	D2/947
D732,809	S *	6/2015	Bacon	D2/951
D752,326	S *	3/2016	Bacon	D2/951
D759,952	S *	6/2016	Robinson, Jr.	D2/951
D766,558	S *	9/2016	Weddle	D2/951
D769,592	S	10/2016	Kasprzak	
D778,558	S	2/2017	Kasprzak	
D781,040	S	3/2017	Scofield	
D802,267	S *	11/2017	Bacon	D2/953
D807,622	S *	1/2018	Bikowsky	D2/951
D808,132	S *	1/2018	Sars	D2/906
2011/0252669	A1 *	10/2011	Kasprzak	A43B 5/001 36/127
2013/0232823	A1	9/2013	Kasprzak	
2014/0082968	A1	3/2014	Binzer	
2015/0040425	A1	2/2015	Adams	

OTHER PUBLICATIONS

ECCO Womens Cage Golf Shoe, amazon release date Feb. 2018, viewed online Nov. 9, 2018. Available at URL: https://www.amazon.com/dp/B074F8TLCX/ref=twister_B074F8MLFX.*

* cited by examiner

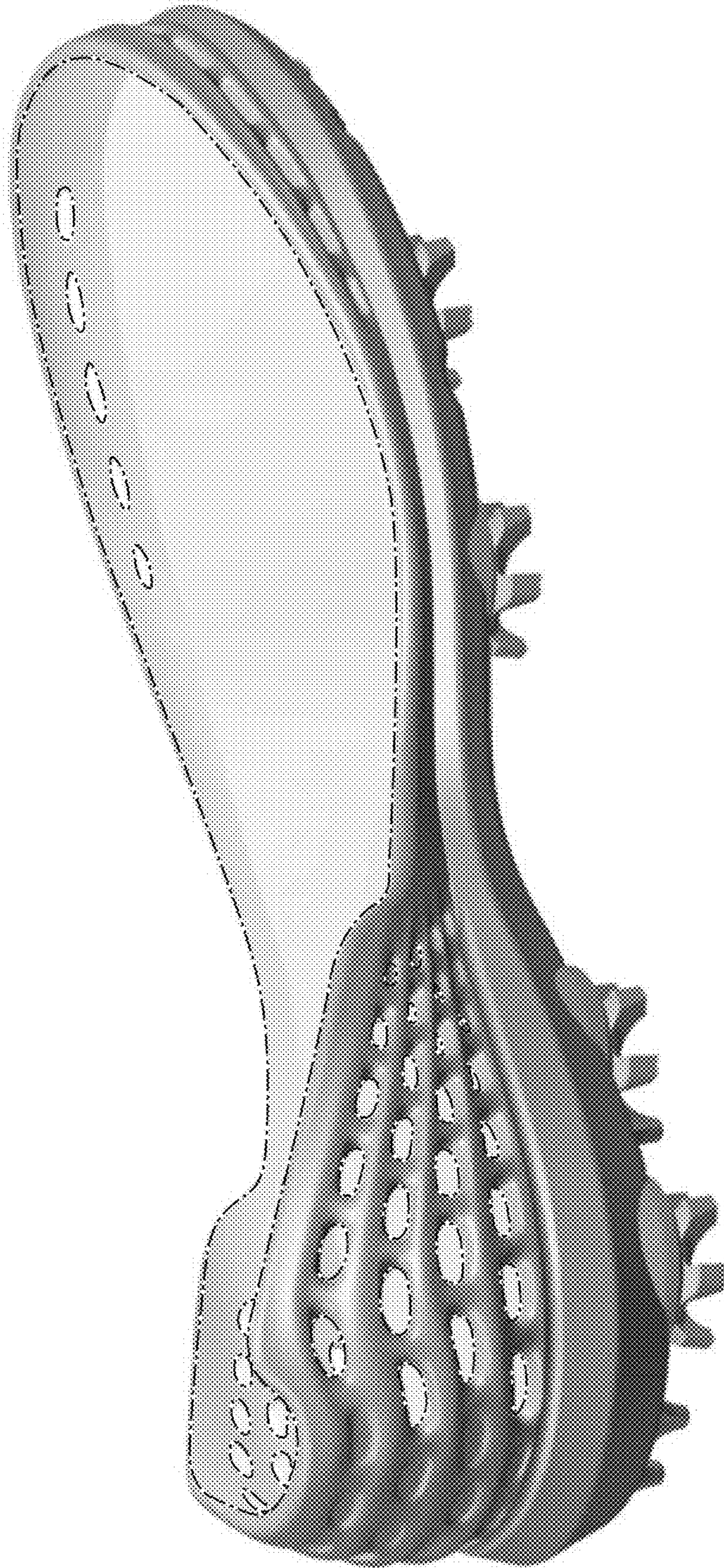


FIG. 1

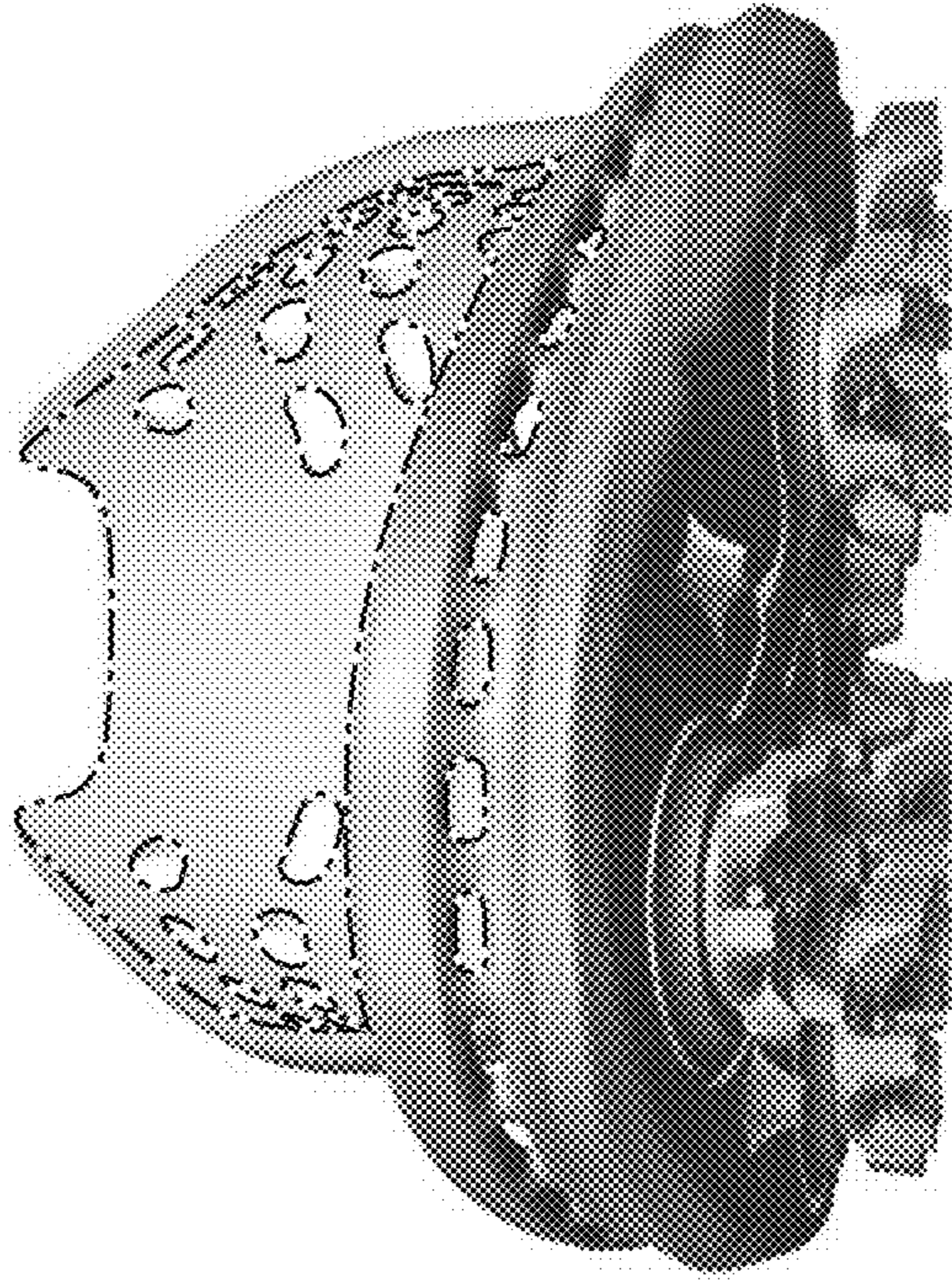


FIG. 2

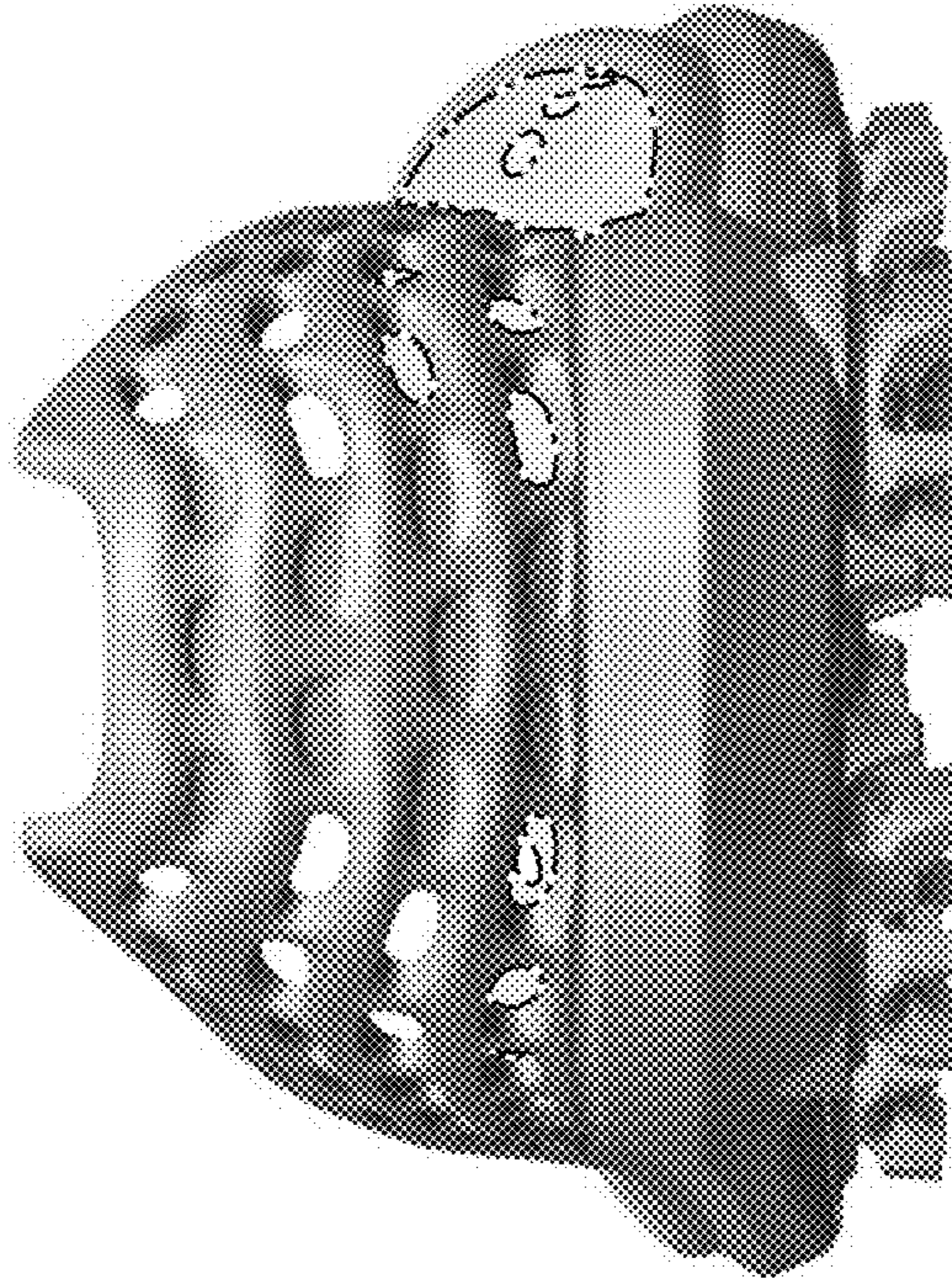


FIG. 3

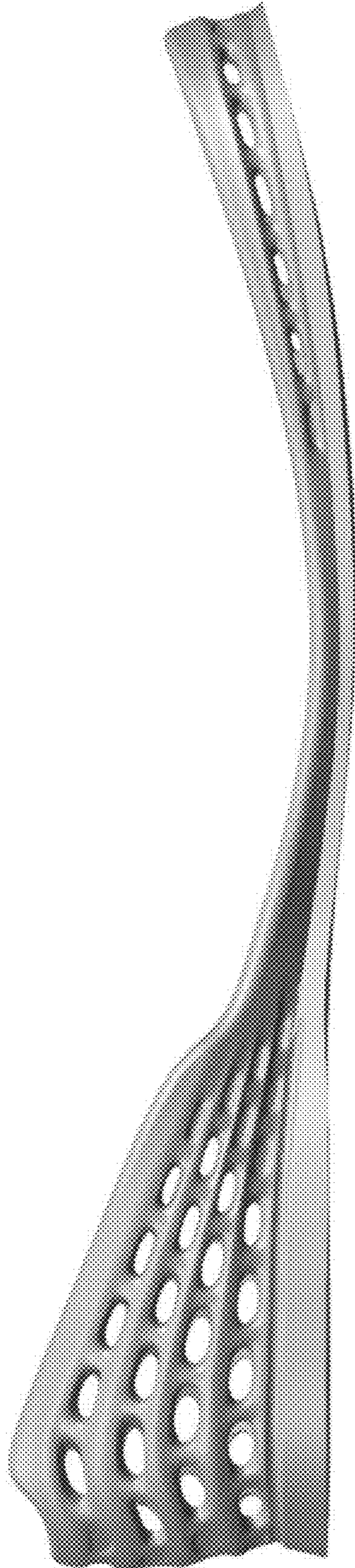


FIG. 4



FIG. 5



FIG. 6