



US00D858044S

(12) **United States Design Patent** (10) **Patent No.:** **US D858,044 S**
Masters (45) **Date of Patent:** **** Sep. 3, 2019**

(54) **MAGNETIC HAT HEADBAND**
(71) Applicant: **Joseph M. Masters**, Lenoir City, TN (US)
(72) Inventor: **Joseph M. Masters**, Lenoir City, TN (US)

6,647,554 B1 11/2003 Yan
D493,026 S * 7/2004 Park D2/894
D528,744 S * 9/2006 Nelson D2/882
7,325,920 B1 2/2008 Gelfuso
D579,606 S * 10/2008 Scholl D28/41
7,703,153 B2 4/2010 de Taboada
7,866,813 B2 1/2011 Anhalt
7,904,970 B2 3/2011 Thomas

(Continued)

(**) Term: **15 Years**

Primary Examiner — Karen S Acker
Assistant Examiner — Jasmine Mlinarcik
(74) *Attorney, Agent, or Firm* — Pitts & Lake, P.C.

(21) Appl. No.: **29/619,962**

(22) Filed: **Oct. 3, 2017**

(51) **LOC (12) Cl.** **02-03**

(52) **U.S. Cl.**
USPC **D2/891**

(58) **Field of Classification Search**
USPC D2/865, 866, 868, 869, 871, 874, 875,
D2/877, 881, 891, 894; D24/128, 190;
D28/41; D29/102, 104, 108
CPC A41D 20/00; A41D 20/005; A41D 23/00;
A42B 1/00; A42B 1/22; A42B 3/00;
A42B 3/04; A42B 3/046; A42B 3/06;
A42B 3/10; A42B 3/12; A42C 5/02
See application file for complete search history.

(56) **References Cited**

U.S. PATENT DOCUMENTS

2,339,189 A * 1/1944 Pickles A42B 3/003
2/6.6
4,179,753 A 12/1979 Aronberg et al.
5,491,842 A 2/1996 Braswell-Moore
5,533,207 A 7/1996 Diaz
5,933,871 A 8/1999 Kraft
D419,281 S * 1/2000 Croft D2/865
6,131,202 A * 10/2000 Yan A42B 1/22
2/181
6,298,495 B1 10/2001 Totani
6,397,396 B1 6/2002 Vibert
D461,931 S * 8/2002 Kelly D28/41
6,481,059 B2 11/2002 Morris

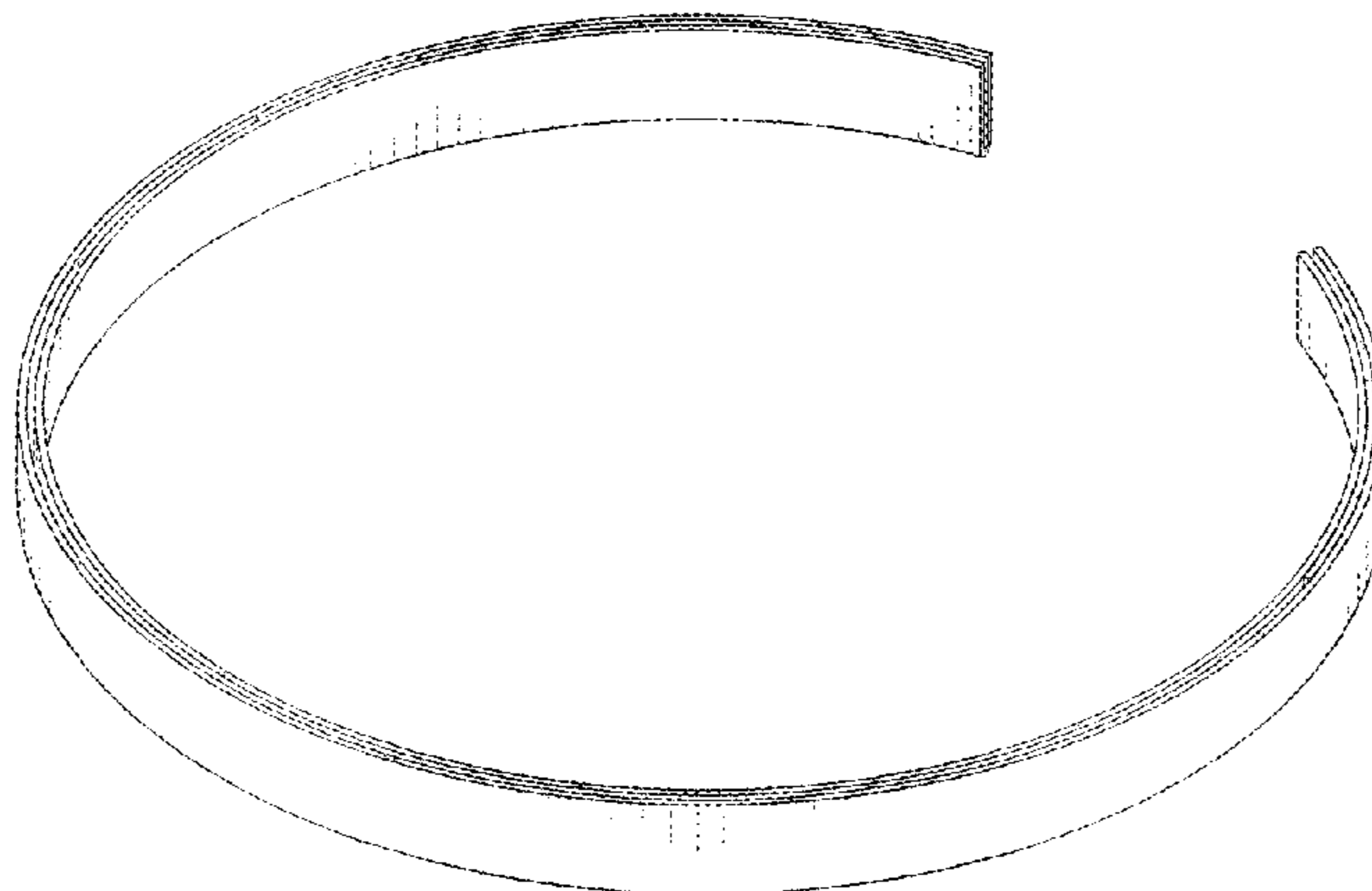
(57) **CLAIM**

The ornamental design for a magnetic hat headband, as shown and described.

DESCRIPTION

FIG. 1 is a perspective view of a magnetic hat headband; FIG. 2 is a front elevational view thereof; FIG. 3 is a rear elevational view thereof; FIG. 4 is a right side elevational view thereof, a left side elevational view being a mirror image thereof; FIG. 5 is a top plan view thereof; FIG. 6 is a bottom plan view thereof; FIG. 7 is a top plan view thereof, showing the plane upon which a cross-sectional view is taken and shown in FIG. 8; FIG. 8 is a cross-sectional view thereof, taken along line 8-8 in FIG. 7. FIG. 9 is a perspective view of a magnetic hat headband, wherein the magnetic hat headband is integrated with a baseball style cap and used to secure a pair of glasses to the cap; FIG. 10 is a right side elevational view thereof; and, FIG. 11 is a rear elevational view thereof. The broken line showing of glasses and a hat brim and top is included for the purpose of illustrating environmental structure and forms no part of the claimed design.

1 Claim, 11 Drawing Sheets



(56)

References Cited

U.S. PATENT DOCUMENTS

D661,469	S *	6/2012	Wallen	D2/876
8,381,359	B1	2/2013	McArdle	
8,696,112	B1	4/2014	Vaught	
8,740,379	B2	6/2014	Berger	
D741,007	S *	10/2015	McNama	D28/41
D765,918	S *	9/2016	Floyd, Jr.	D2/892
D793,674	S *	8/2017	Flatt	D2/876
D833,071	S *	11/2018	Pennington	D28/41
2006/0152671	A1	7/2006	Risso et al.	
2007/0256214	A1	11/2007	Mcgowan et al.	
2009/0056000	A1	3/2009	de Taboada	
2009/0235437	A1	9/2009	Springer et al.	
2009/0284712	A1	11/2009	Brooks	
2010/0014046	A1	1/2010	Millios	
2010/0212066	A1	8/2010	Gilman	
2011/0225707	A1	9/2011	Millios	
2014/0063443	A1	3/2014	Berger	
2015/0253584	A1	9/2015	Pond	
2018/0074342	A1	3/2018	Boedecker et al.	

* cited by examiner

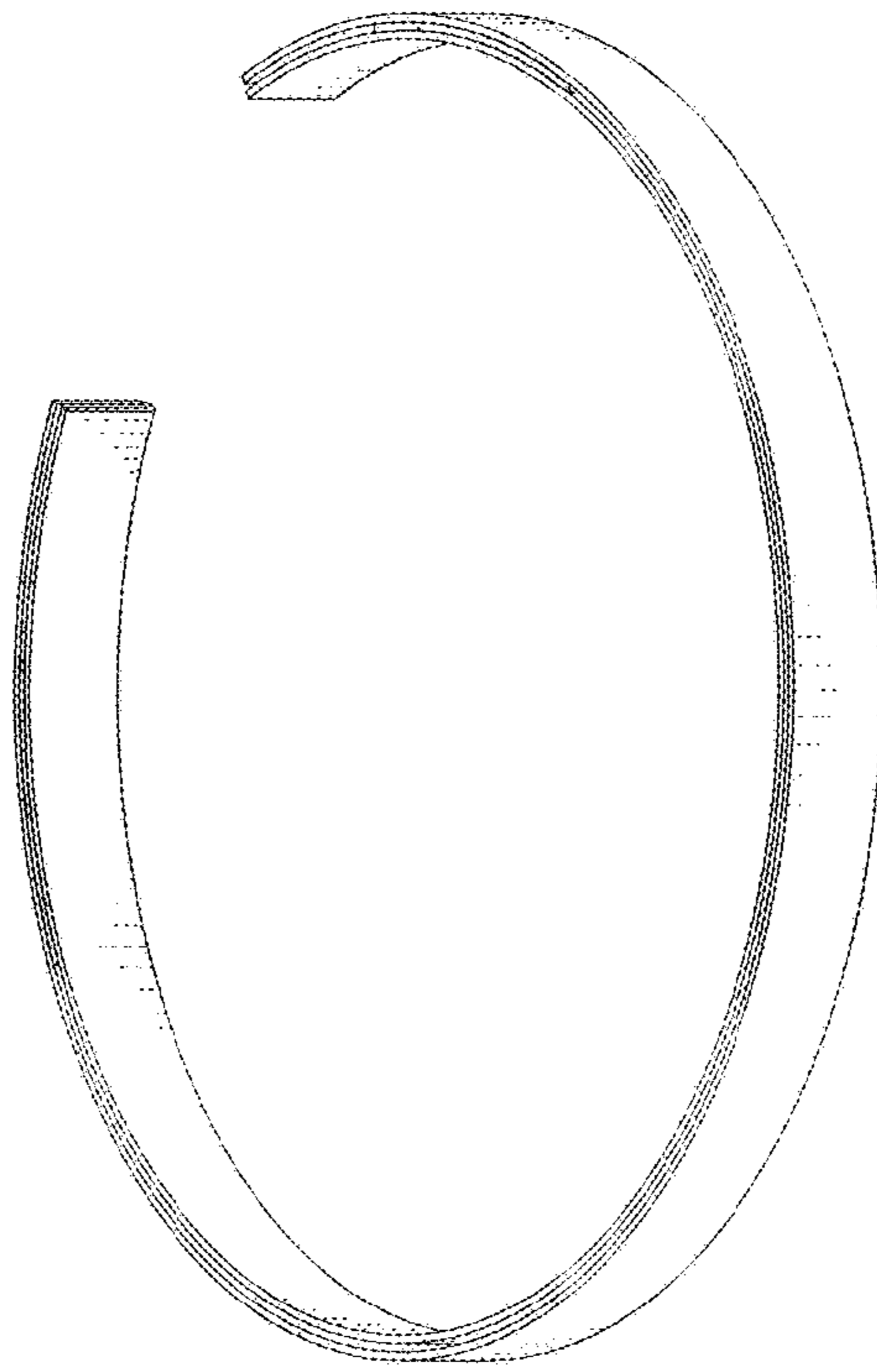


FIG. 1

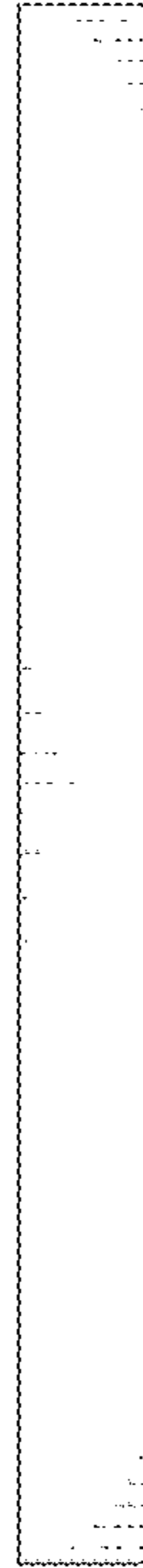


FIG. 2

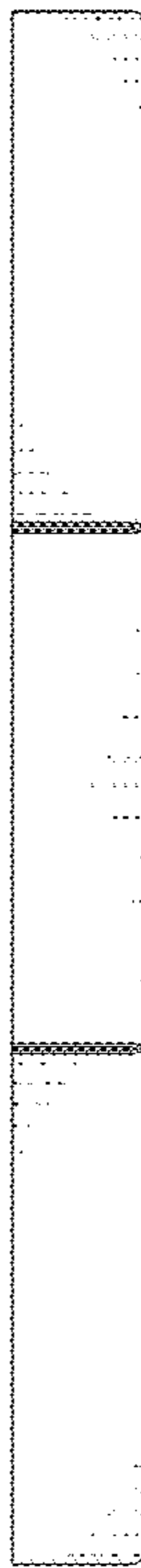


FIG. 3

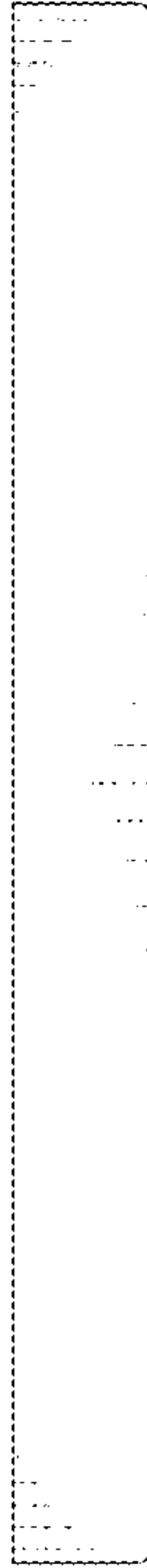


FIG. 4

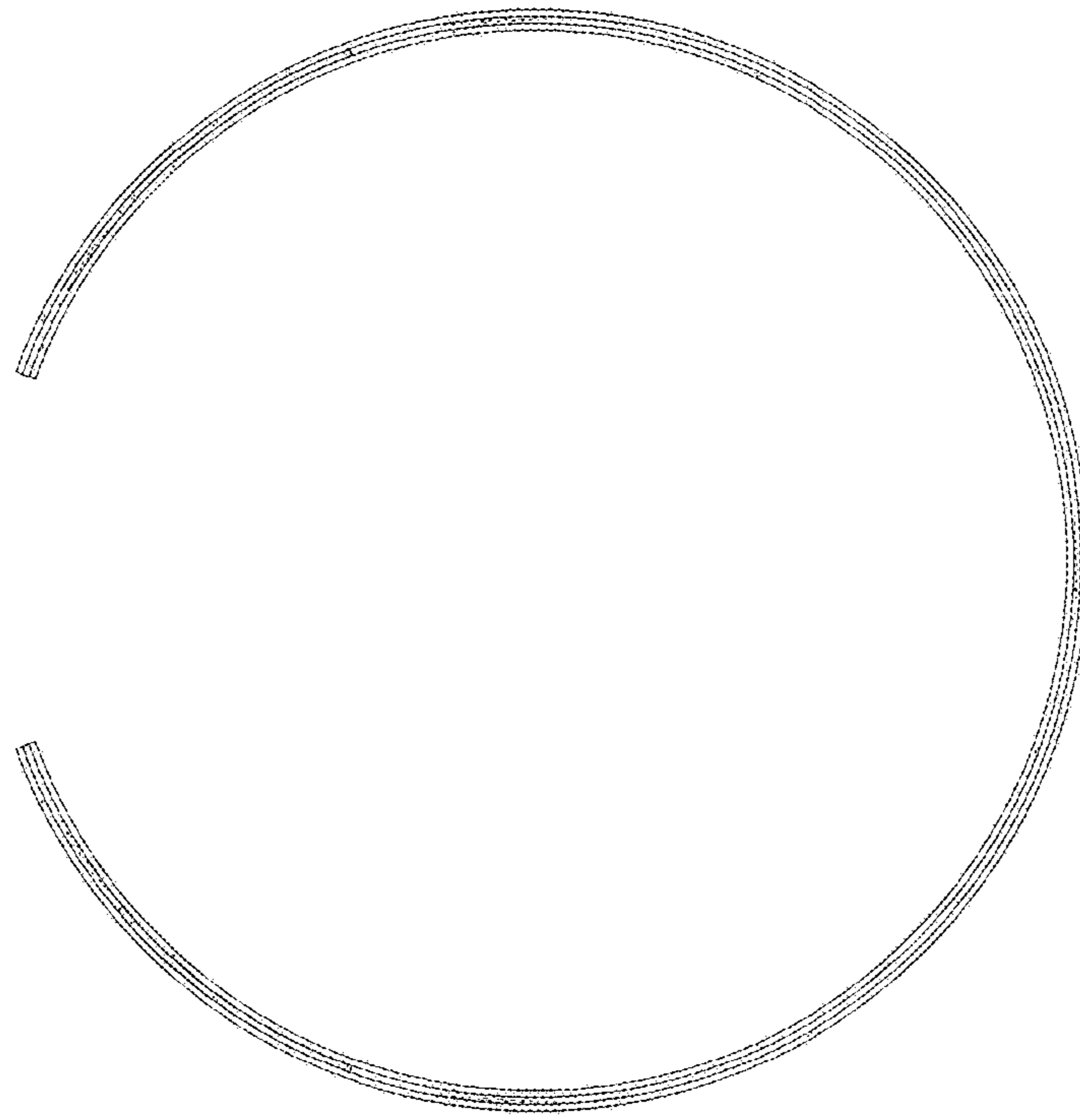


FIG. 5

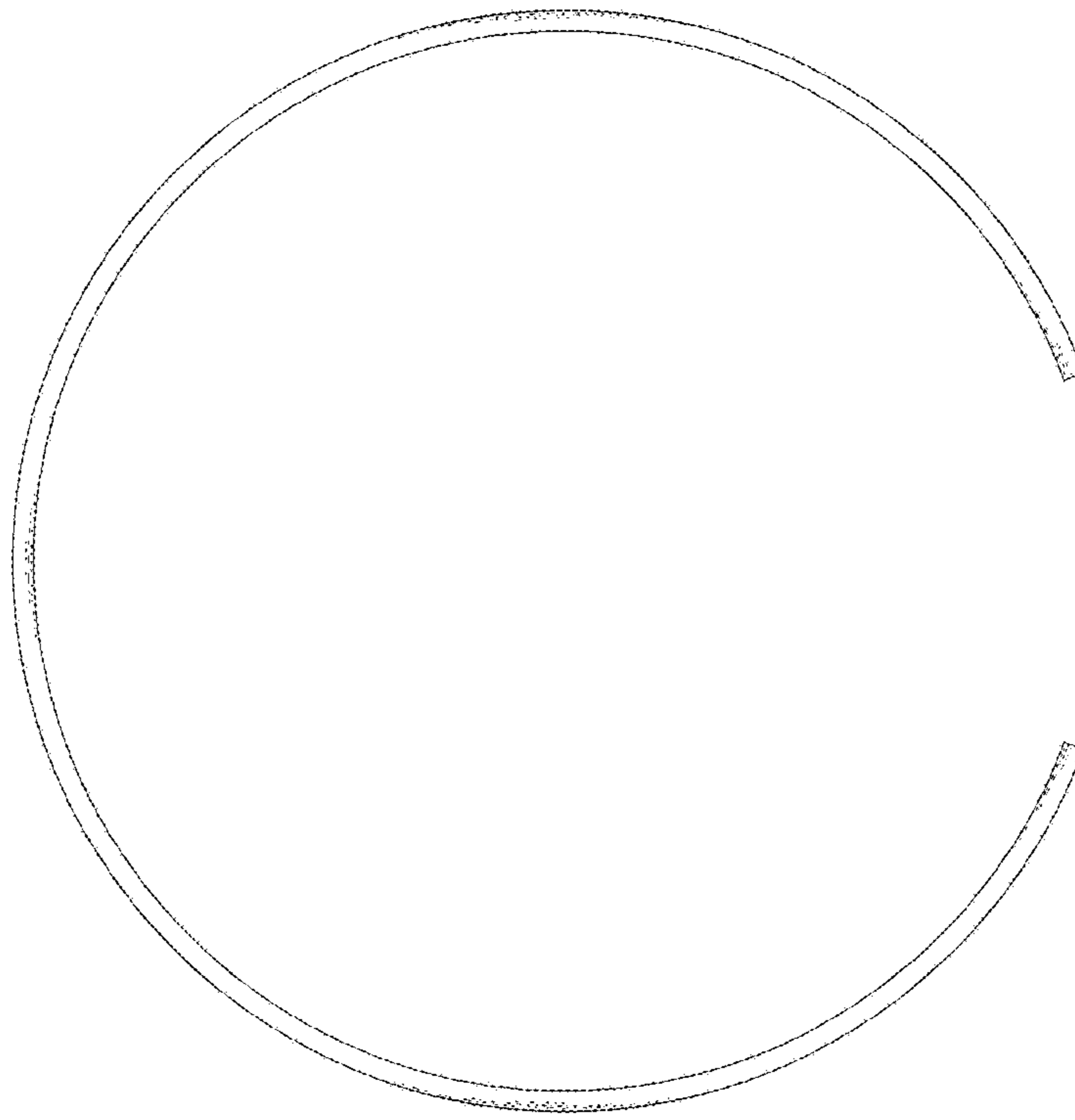


FIG. 6

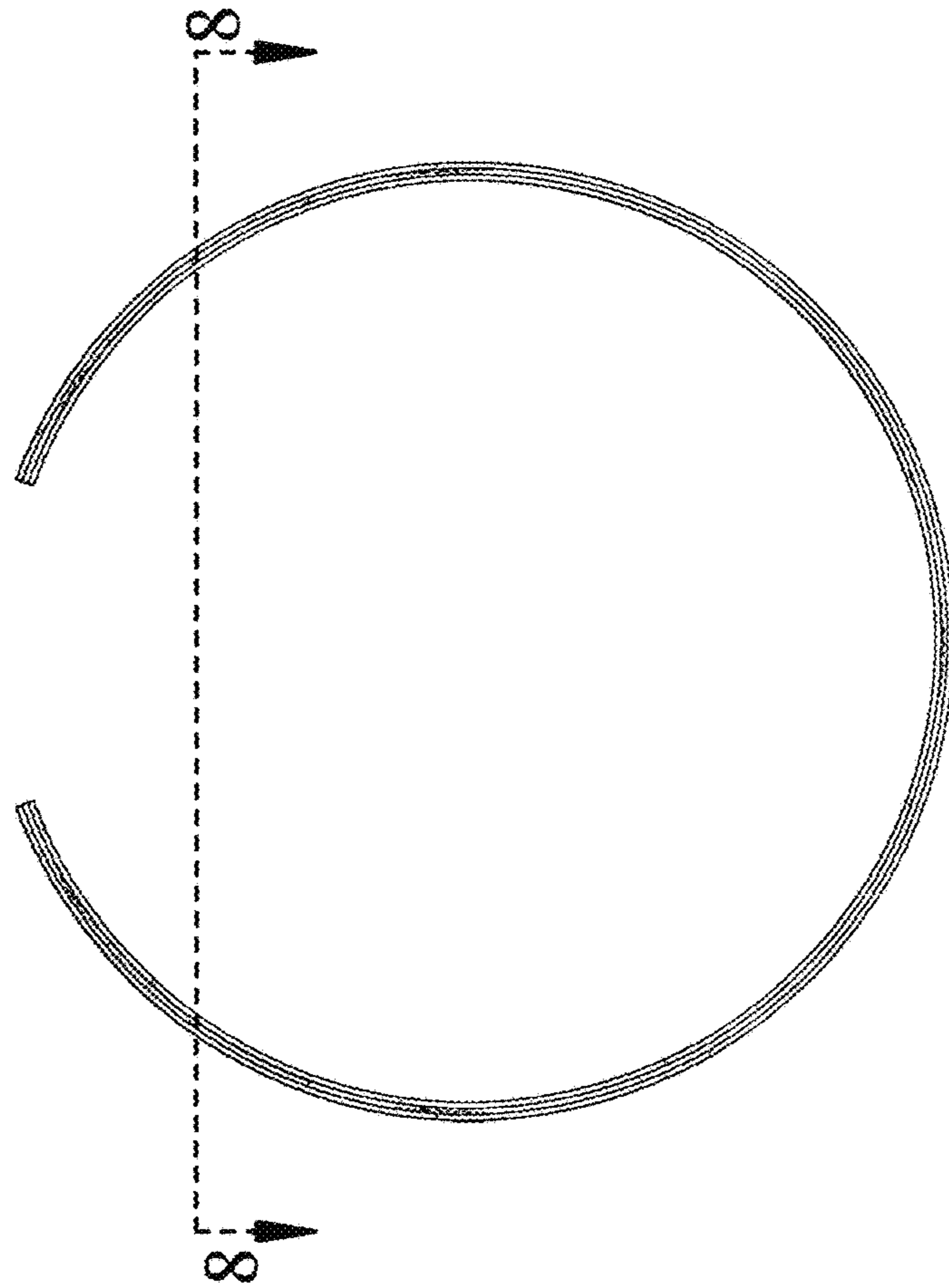


FIG. 7

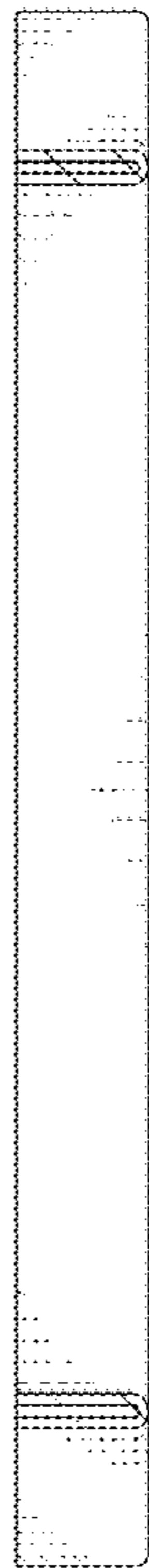


FIG. 8

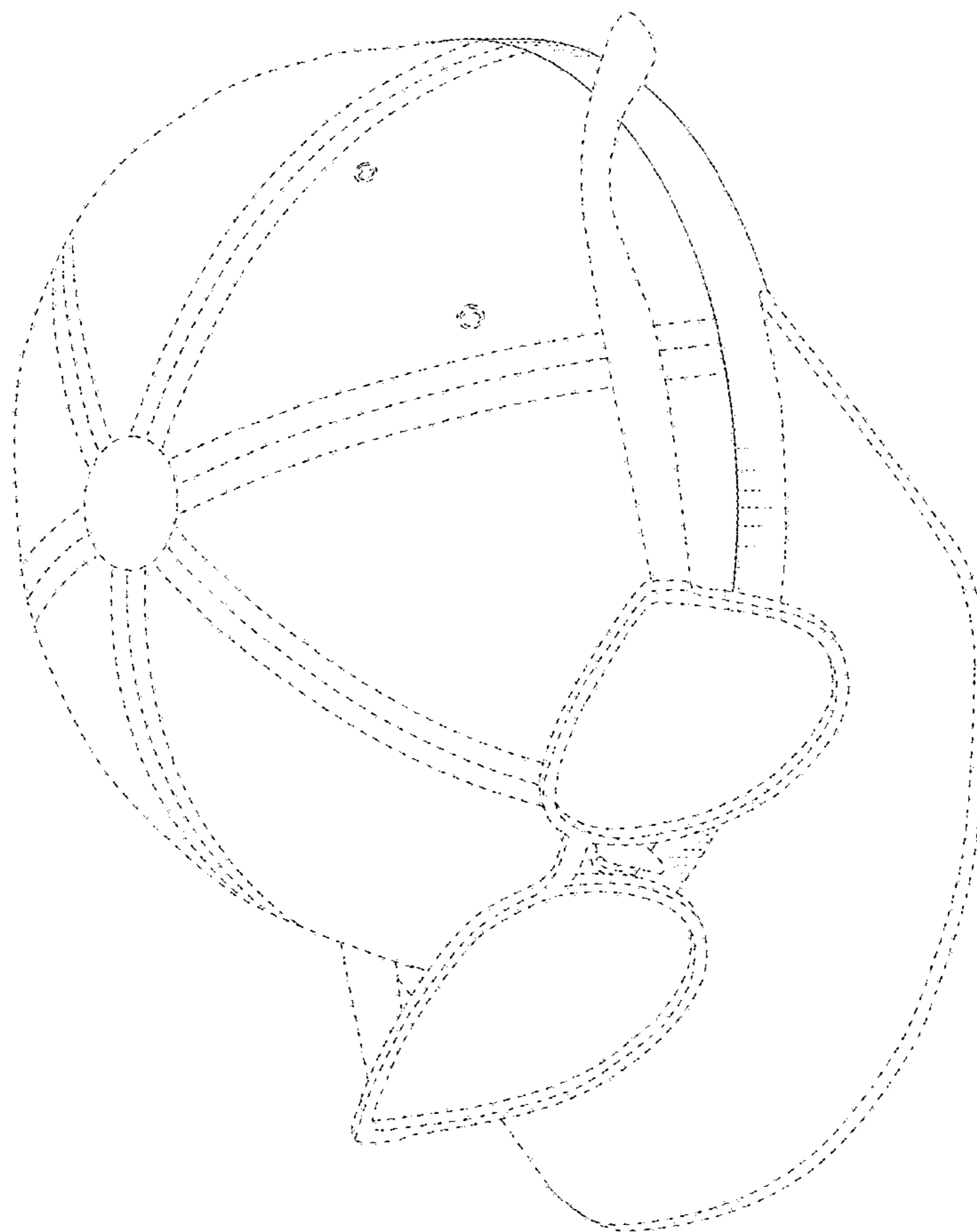


FIG. 9

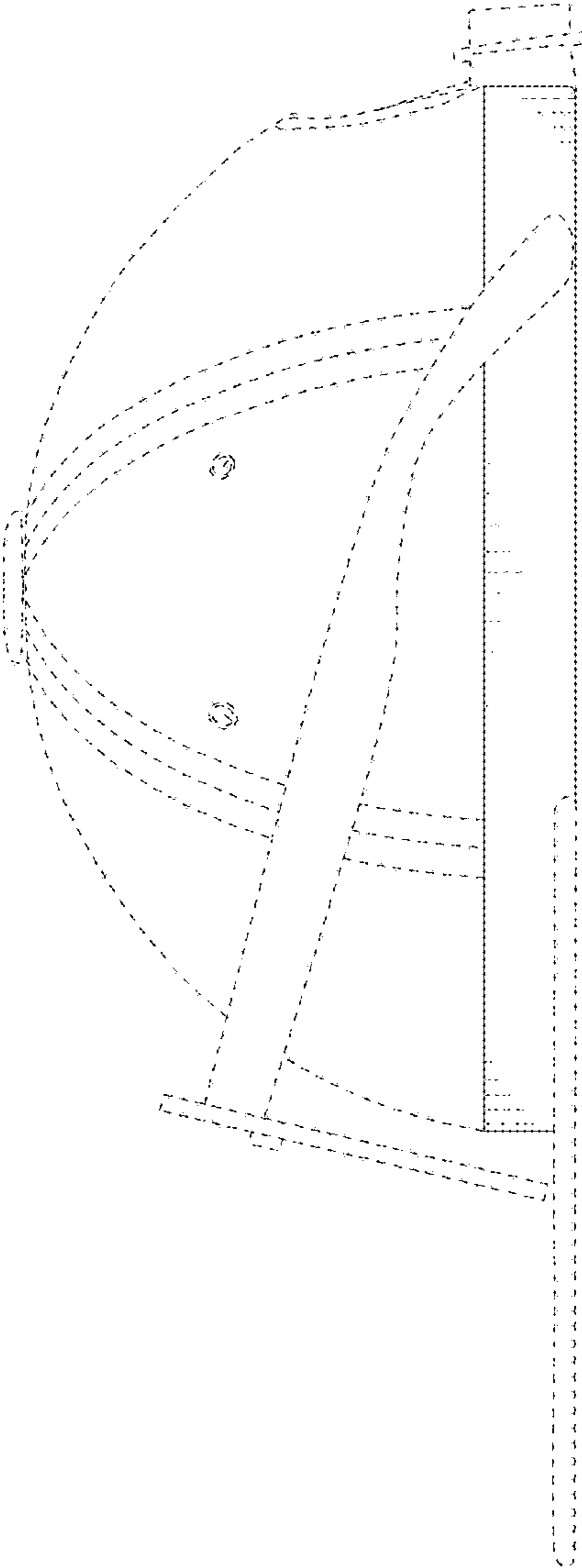


FIG. 10

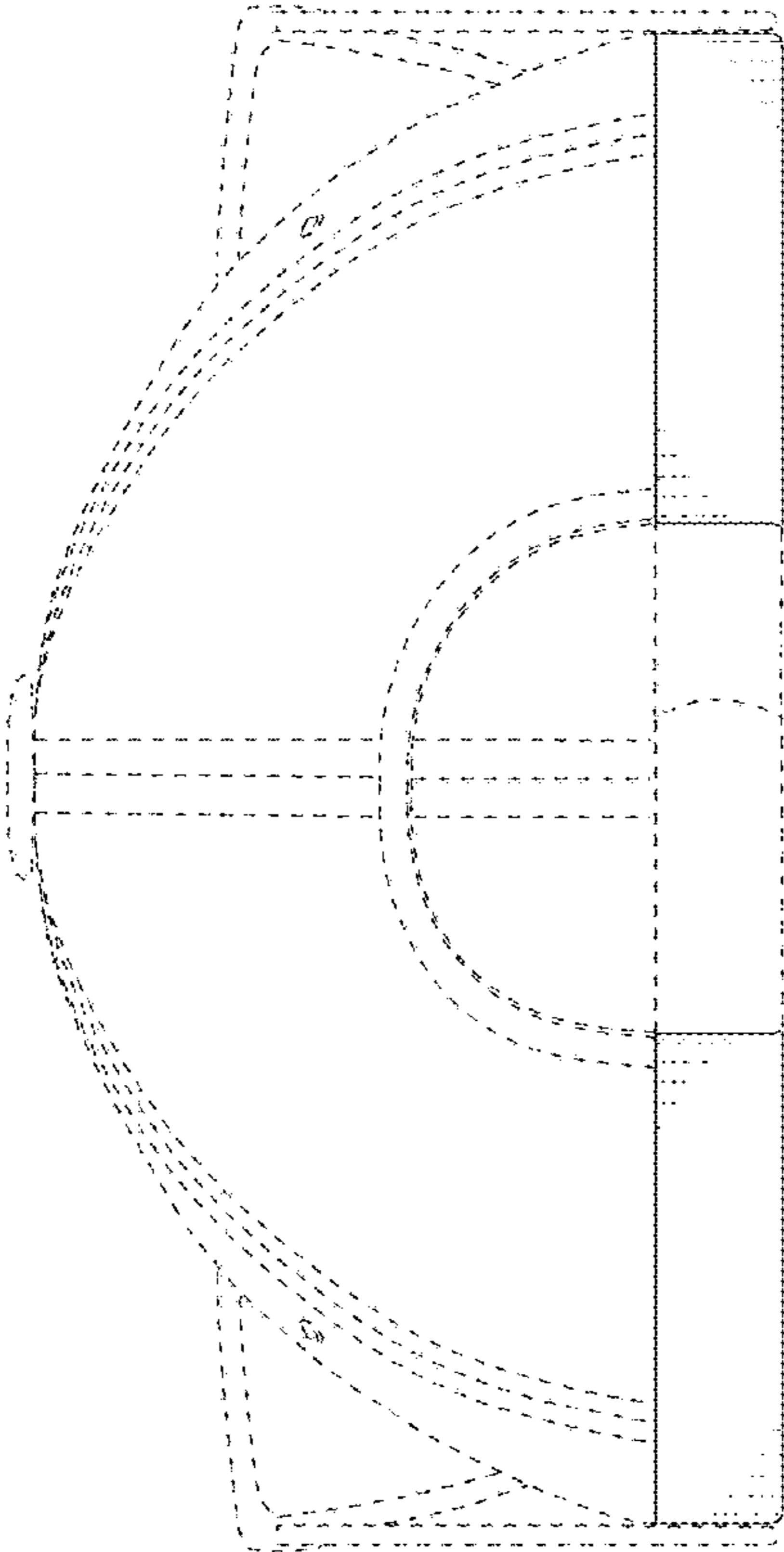


FIG. 11