



US00D858042S

(12) **United States Design Patent** (10) **Patent No.:** **US D858,042 S**
Fleming et al. (45) **Date of Patent:** **** Sep. 3, 2019**

- (54) **BUMP CAP**
- (71) Applicant: **JSP Limited**, Minster Lovell, Witney, Oxfordshire (GB)
- (72) Inventors: **Richard Fleming**, Minster Lovell (GB); **Stephen John Hare**, Minster Lovell (GB)
- (73) Assignee: **JSP LIMITED**, Witney, Oxfordshire (GB)
- (**) Term: **15 Years**
- (21) Appl. No.: **29/609,750**
- (22) Filed: **Jul. 5, 2017**

CPC .. A42B 1/00; A42B 1/02; A42B 1/062; A42B 1/063; A42B 1/22; A42B 1/201
 See application file for complete search history.

(56) **References Cited**

U.S. PATENT DOCUMENTS

D96,519 S *	8/1935	Strawgate	D2/886
3,176,314 A *	4/1965	Perry	A42B 3/227
			2/411
D340,796 S *	11/1993	Oates	D2/882
D478,409 S *	8/2003	Lesley	A41D 13/01
			D2/873
D541,509 S *	5/2007	Sprowl	D2/886
D619,788 S *	7/2010	Lacy	D2/879
D681,926 S *	5/2013	Votel	D2/880
D712,634 S *	9/2014	Rivera	D2/866
D749,269 S *	2/2016	Tutor	D29/102
D809,748 S *	2/2018	Fleming	D2/882

* cited by examiner

Primary Examiner — Karen E Eldridge Powers
Assistant Examiner — Jasmine Mlinarcik
 (74) *Attorney, Agent, or Firm* — King & Schickli, PLLC

(57) **CLAIM**

The ornamental design for a bump cap, as shown and described.

DESCRIPTION

FIG. 1 is a front isometric view of the design;
 FIG. 2 is a front elevational view of the design;
 FIG. 3 is a side elevational view of the design;
 FIG. 4 is a top plan view of the design;
 FIG. 5 is a bottom plan view of the design; and,
 FIG. 6 is a rear elevational view of the design.

1 Claim, 3 Drawing Sheets

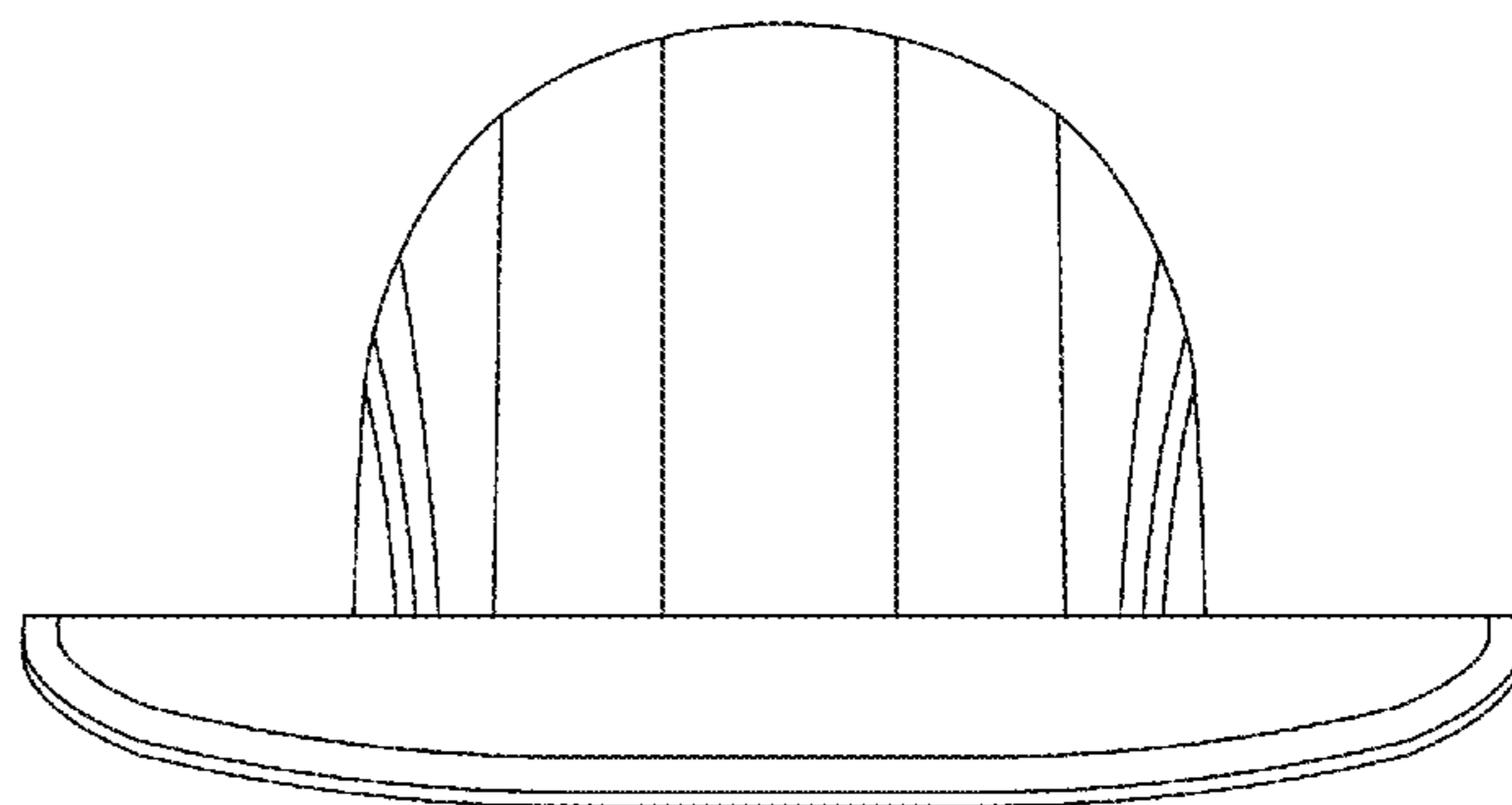
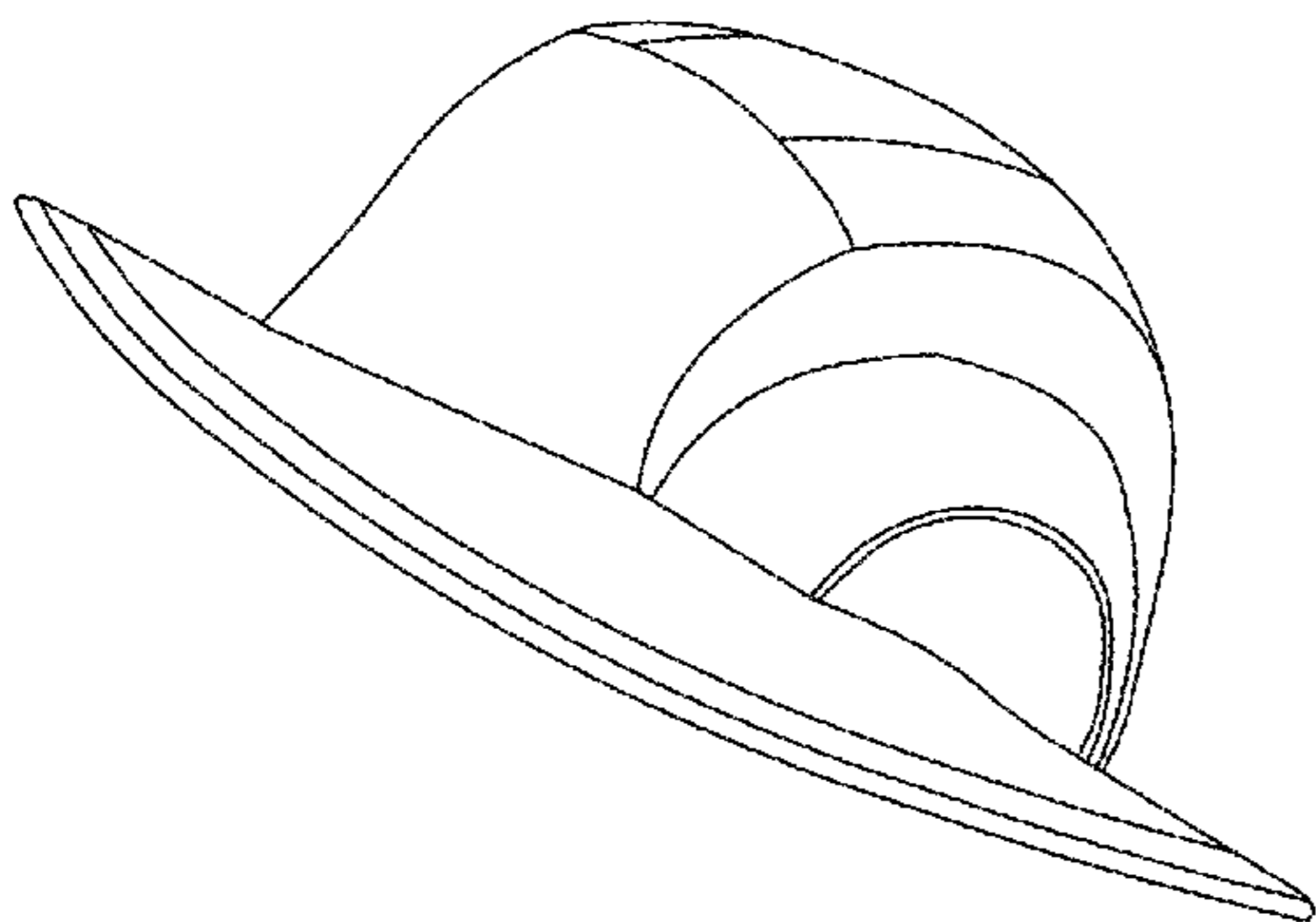
Related U.S. Application Data

- (62) Division of application No. 29/553,120, filed on Jan. 28, 2016, now Pat. No. Des. 809,748.

(30) **Foreign Application Priority Data**

Sep. 23, 2015 (EM) 002778175
 Nov. 3, 2015 (EM) 002846436

- (51) **LOC (12) Cl.** **02-03**
- (52) **U.S. Cl.**
 USPC **D2/879**
- (58) **Field of Classification Search**
 USPC D2/865, 866, 867, 868, 869, 870, 871,
 D2/872, 873, 874, 875, 876, 877, 878,
 D2/879, 880, 881, 82, 883, 884, 886, 88,
 D2/889, 890, 891, 892, 893, 894, 895,
 D2/888



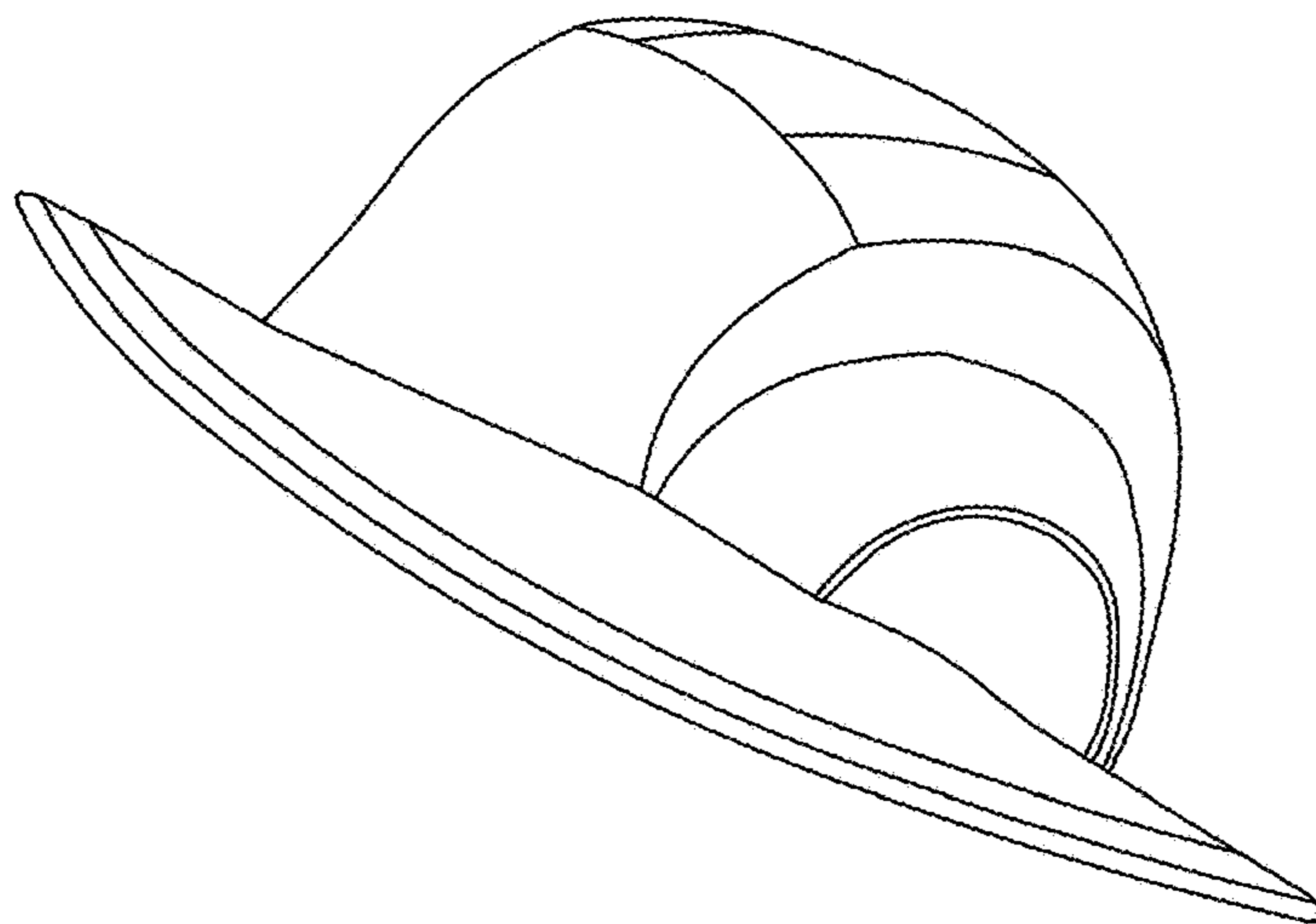


FIG. 1

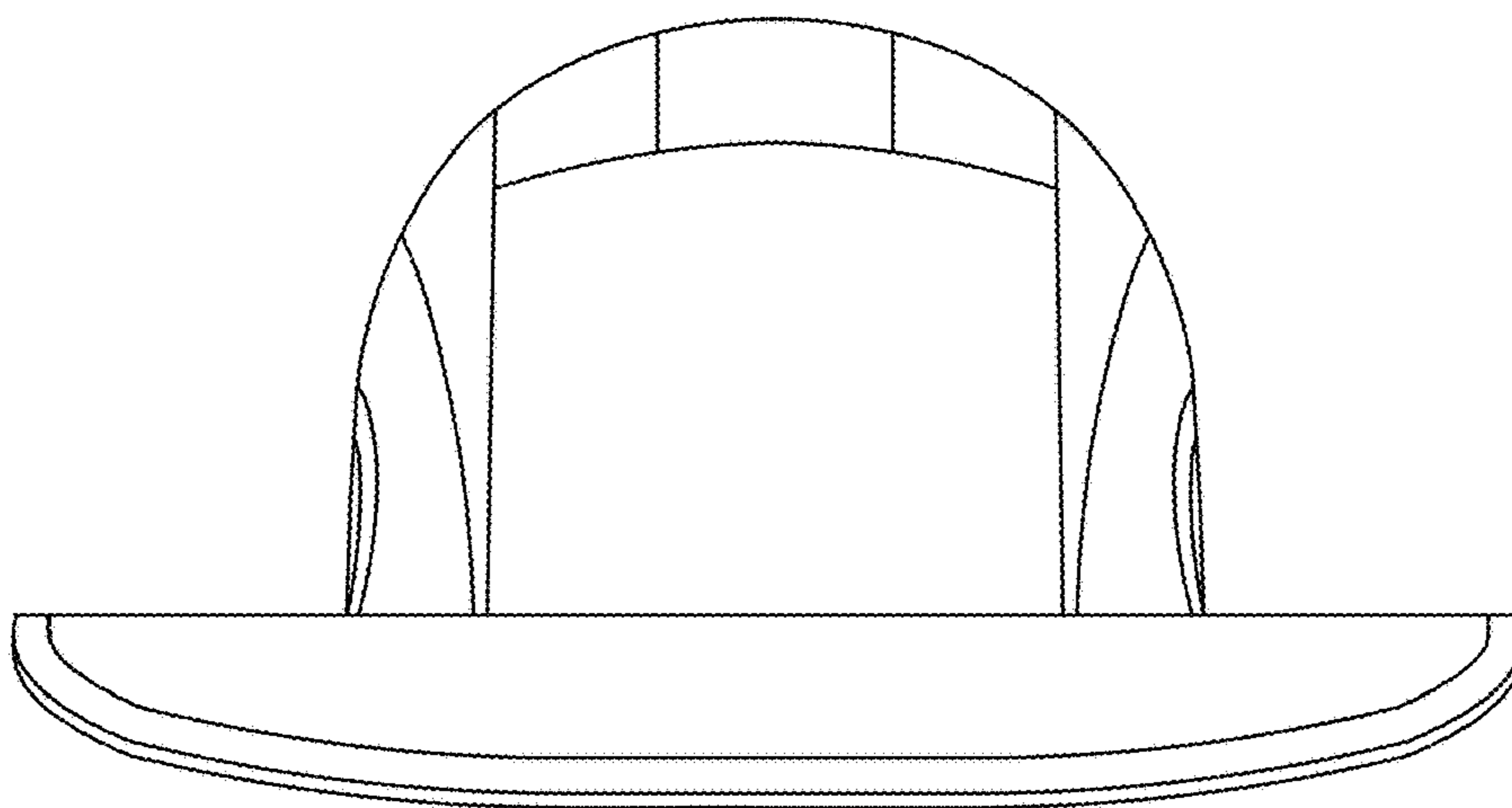


FIG. 2

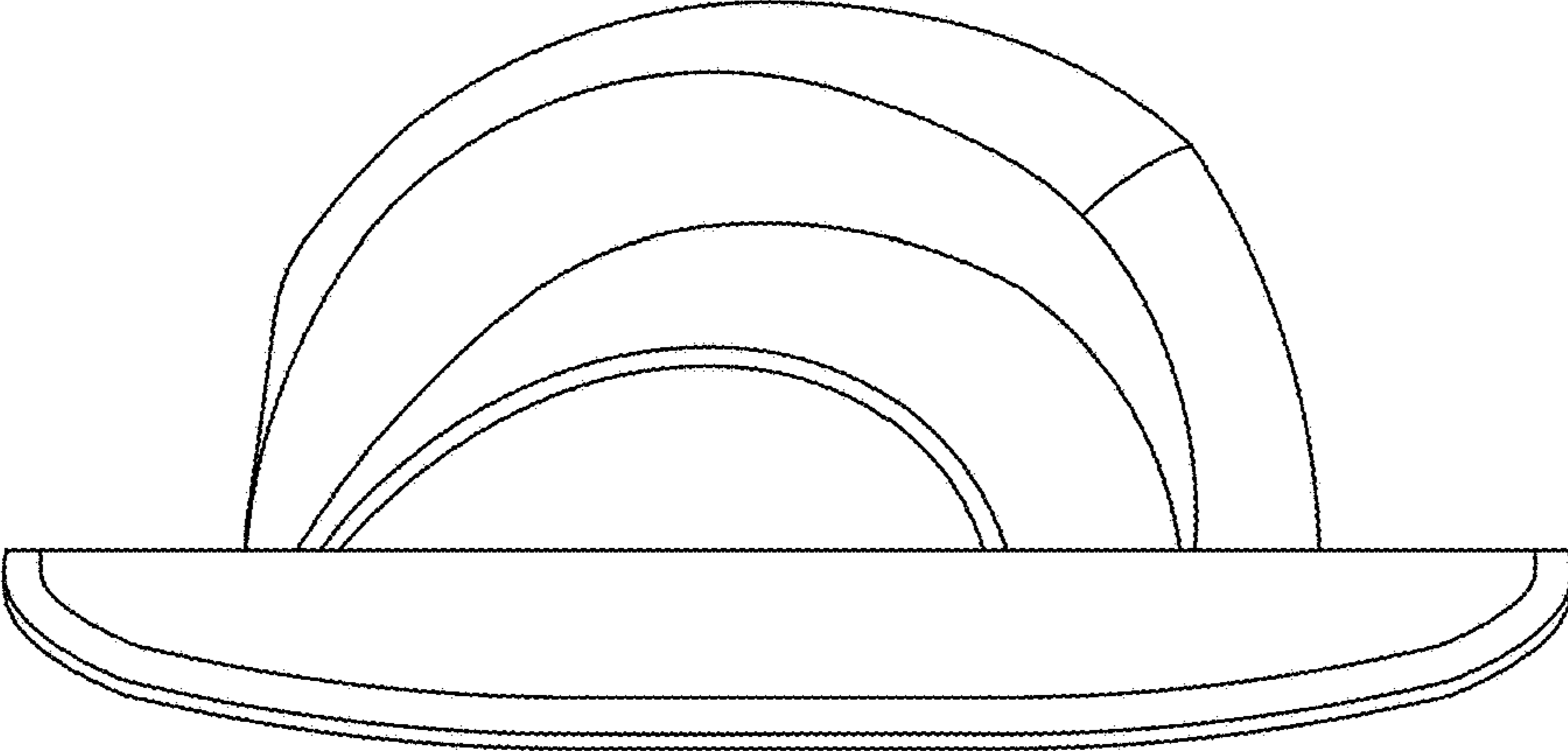


FIG. 3

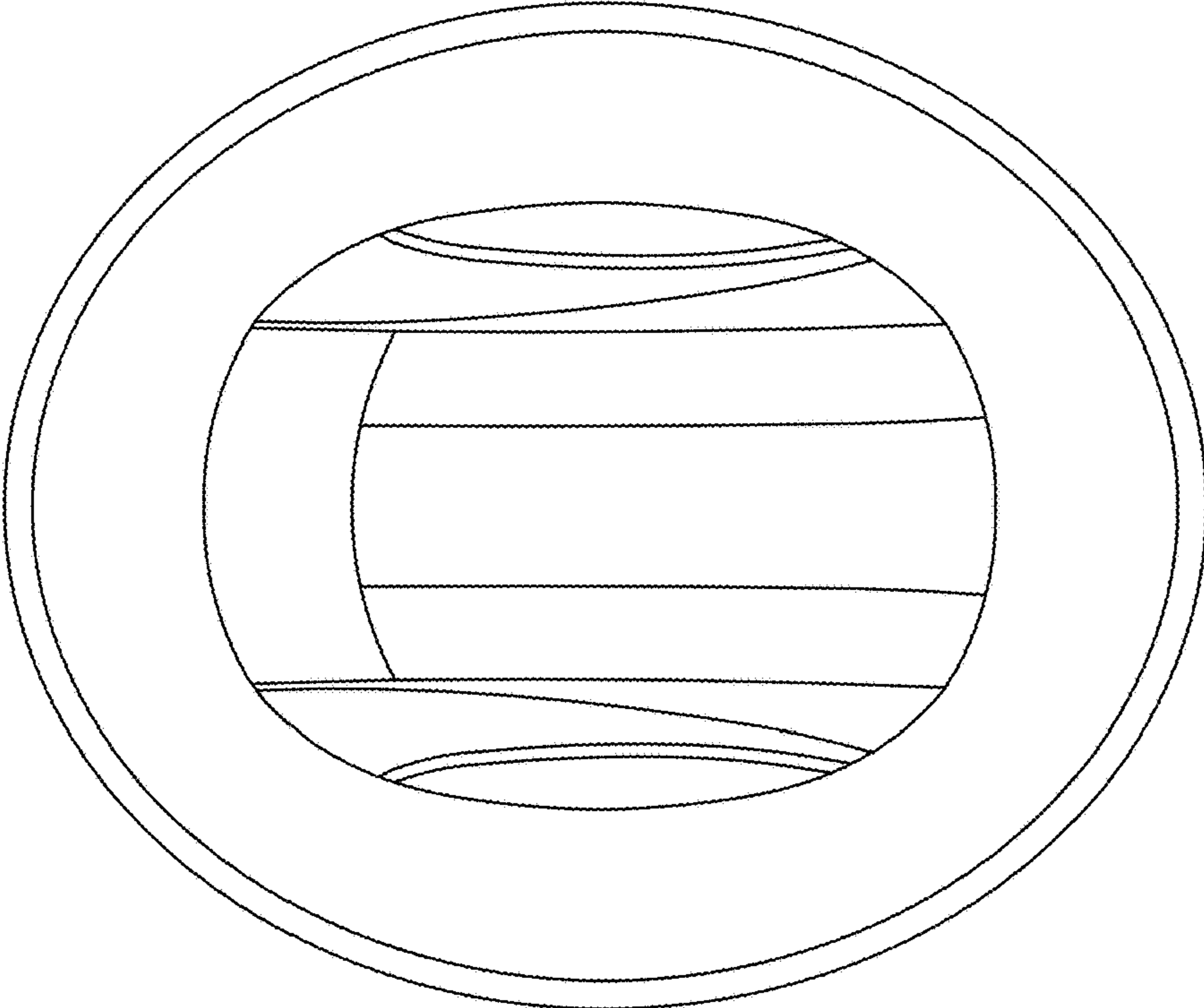


FIG. 4

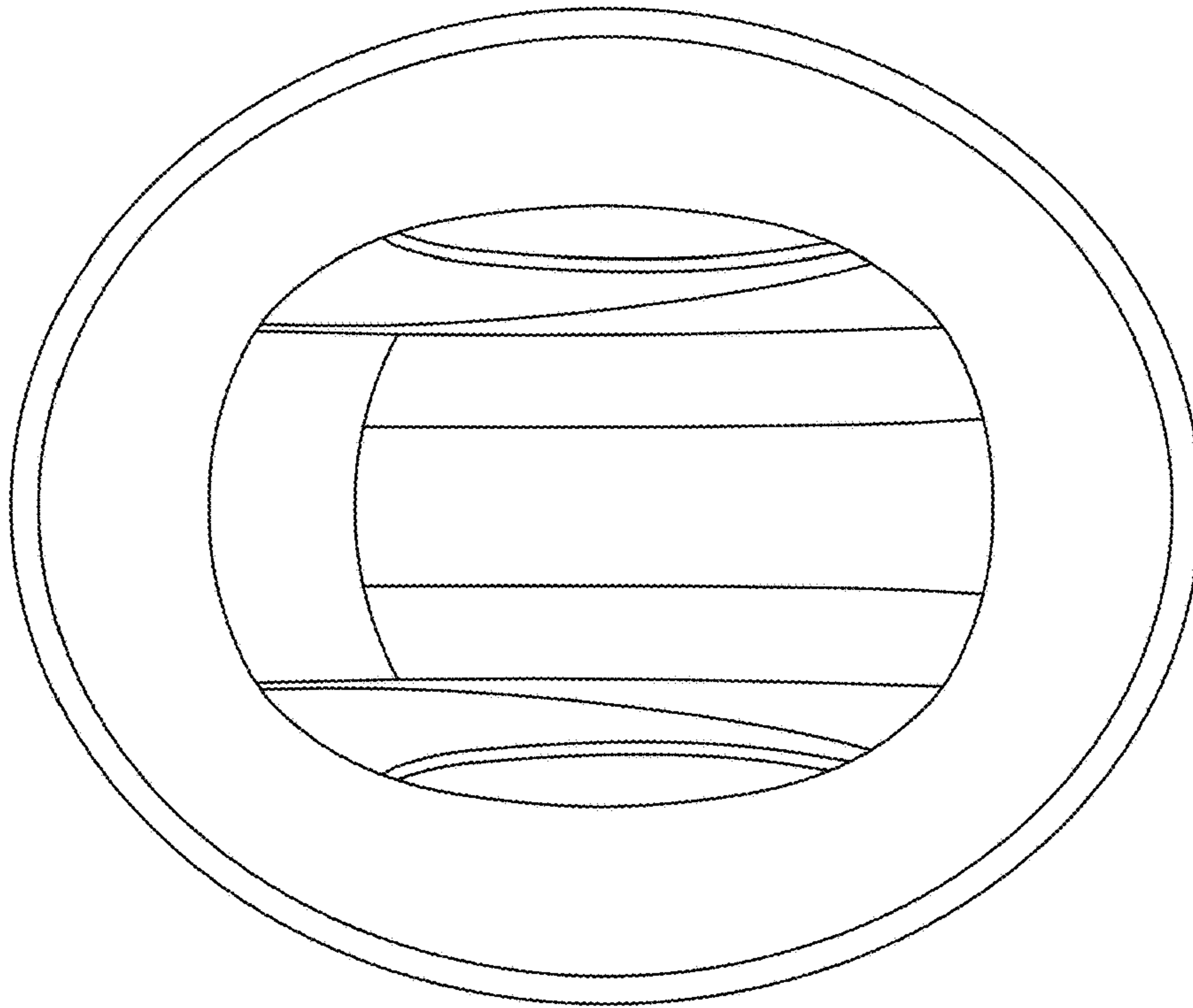


FIG. 5

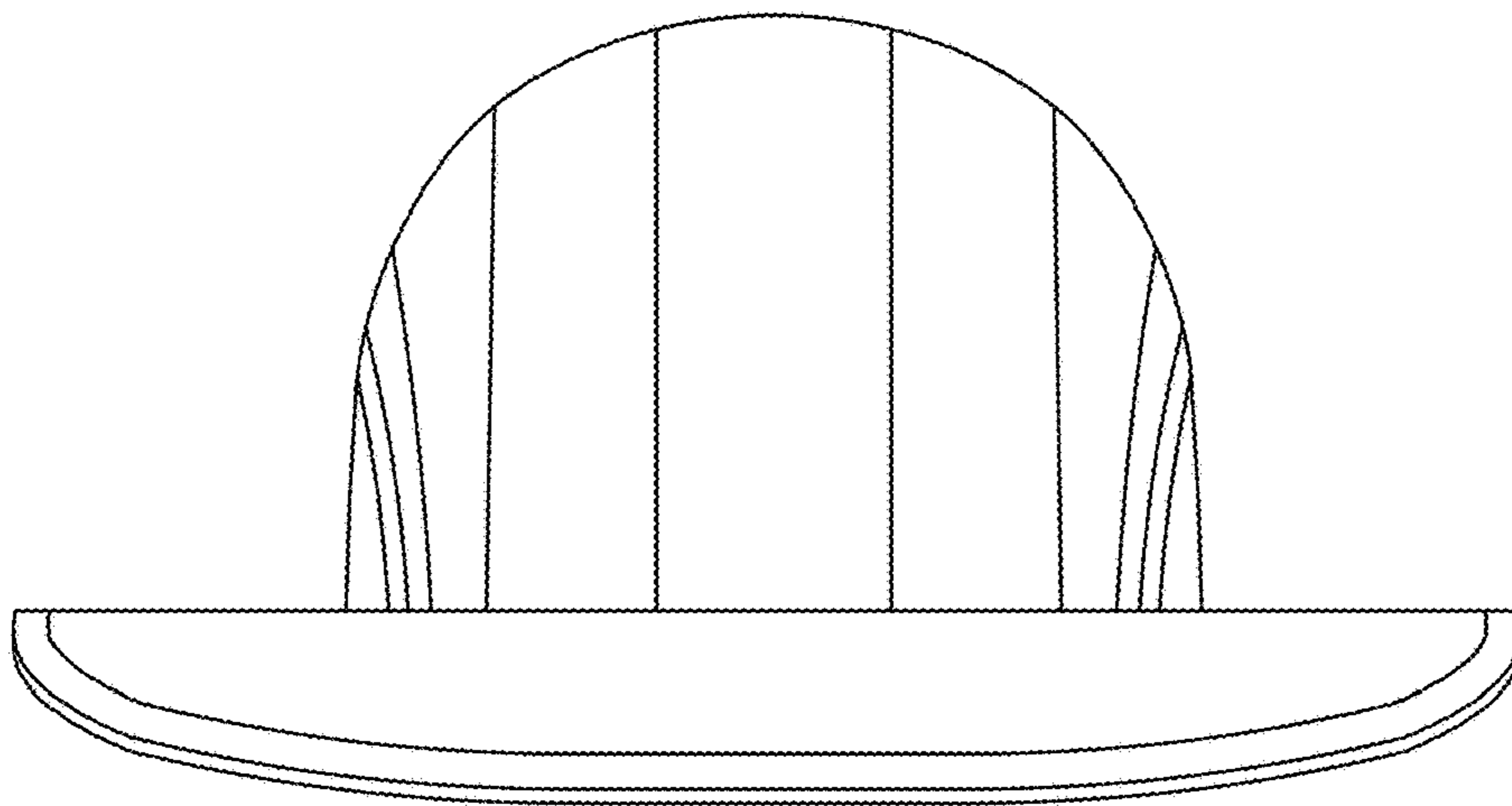


FIG. 6