



US00D858039S

(12) **United States Design Patent**
Johnson

(10) **Patent No.:** **US D858,039 S**

(45) **Date of Patent:** **** Sep. 3, 2019**

(54) **GARMENT**

(71) Applicant: **Matthew Johnson**, Walland, TN (US)

(72) Inventor: **Matthew Johnson**, Walland, TN (US)

(**) Term: **15 Years**

(21) Appl. No.: **29/590,570**

(22) Filed: **Jan. 11, 2017**

(51) **LOC (12) Cl.** **02-02**

(52) **U.S. Cl.**
USPC **D2/742**

(58) **Field of Classification Search**
USPC D2/742-743, 857, 748, 745; 2/79, 227
CPC . A41D 1/06; A41D 1/067; A41D 1/08; A41D
15/002; A41D 15/005
See application file for complete search history.

(56) **References Cited**

U.S. PATENT DOCUMENTS

4,006,494	A	2/1977	Knoppel	
4,494,250	A	1/1985	Sheppard et al.	
D278,376	S *	4/1985	Heinfling	D2/742
7,058,987	B2	6/2006	Salazar	
D528,742	S *	9/2006	Langmantel	D2/853
D572,878	S *	7/2008	Conley	D2/742
D591,029	S *	4/2009	Zhang	D2/857
D619,334	S *	7/2010	Barina	D2/857
D624,281	S	9/2010	Richardson, Jr.	
D639,529	S	6/2011	Boyle et al.	
D648,100	S *	11/2011	Rivetti	D2/857
D656,712	S *	4/2012	Jones	D2/742
D669,250	S *	10/2012	Girbaud	D2/857
D686,390	S *	7/2013	Downs	D2/742
D686,800	S *	7/2013	Kelly	D2/742
D724,840	S *	3/2015	Fridstrom	D3/247
D745,252	S *	12/2015	Bednarz	D2/742

D770,728	S *	11/2016	Jaklinski	D2/742
D787,158	S *	5/2017	Lago	D2/742
D787,784	S *	5/2017	Lago	D2/742
D788,406	S *	6/2017	Bryan	D2/742
D789,038	S *	6/2017	McKisic	D2/742
D803,523	S *	11/2017	Wang	D2/742
D811,048	S *	2/2018	Hestle	D2/742
2011/0185470	A1 *	8/2011	Jones	A41D 27/20 2/69
2012/0117713	A1	5/2012	Hoffner	
2013/0219589	A1 *	8/2013	Jones	A41D 15/005 2/227
2014/0150166	A1 *	6/2014	Hall	A41D 1/06 2/227
2014/0165265	A1 *	6/2014	Tulin	A41D 1/06 2/234
2015/0082516	A1	3/2015	Doan	

FOREIGN PATENT DOCUMENTS

WO WO2008122758 10/2008

* cited by examiner

Primary Examiner — Robin V Webster

Assistant Examiner — J. Thorn, Sr.

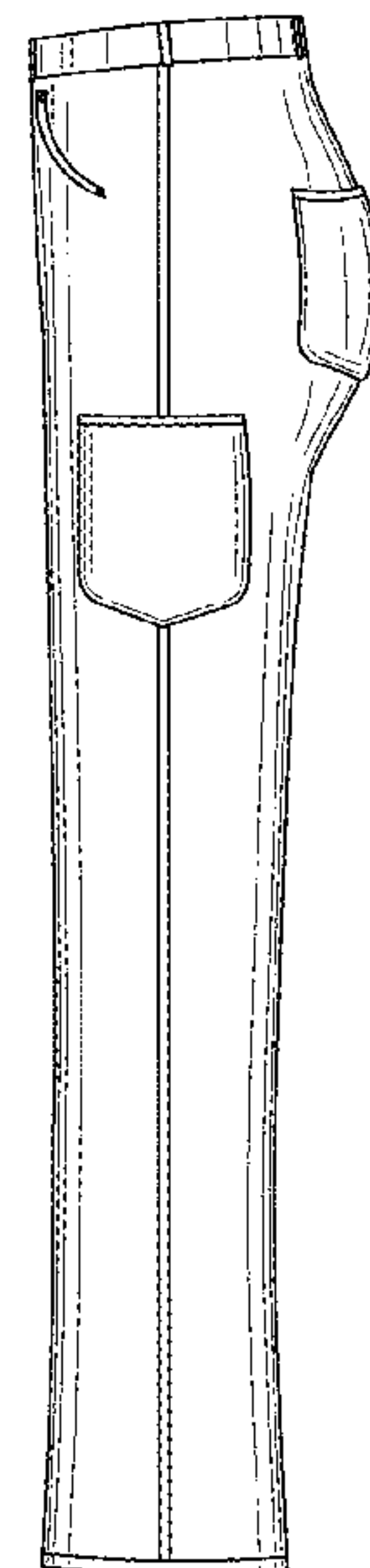
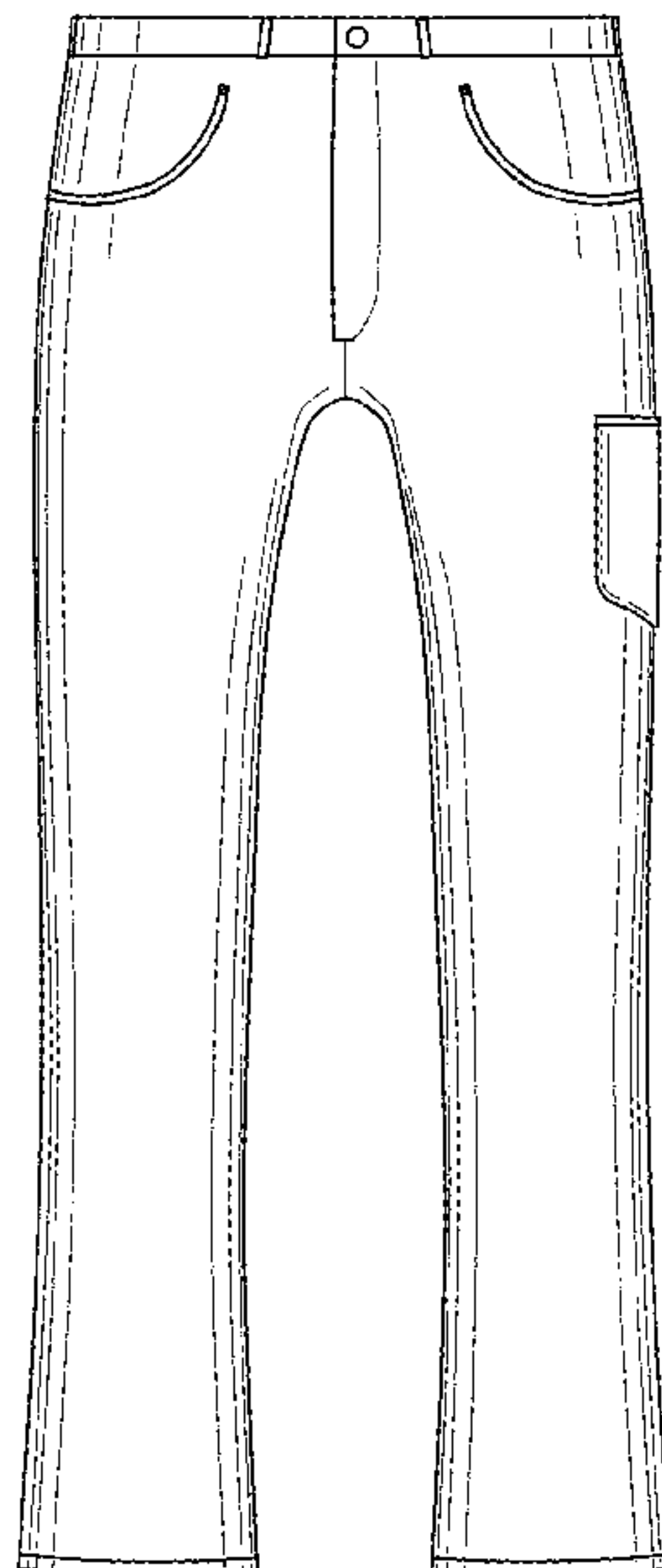
(57) **CLAIM**

The ornamental design for a garment, as shown and described.

DESCRIPTION

FIG. 1 is a front view of a garment showing my new design; FIG. 2 is a rear view of the garment; FIG. 3 is a left side view of the garment; FIG. 4 is a right side view of the garment; FIG. 5 is a top view of the garment; and, FIG. 6 is a bottom view of the garment.

1 Claim, 4 Drawing Sheets



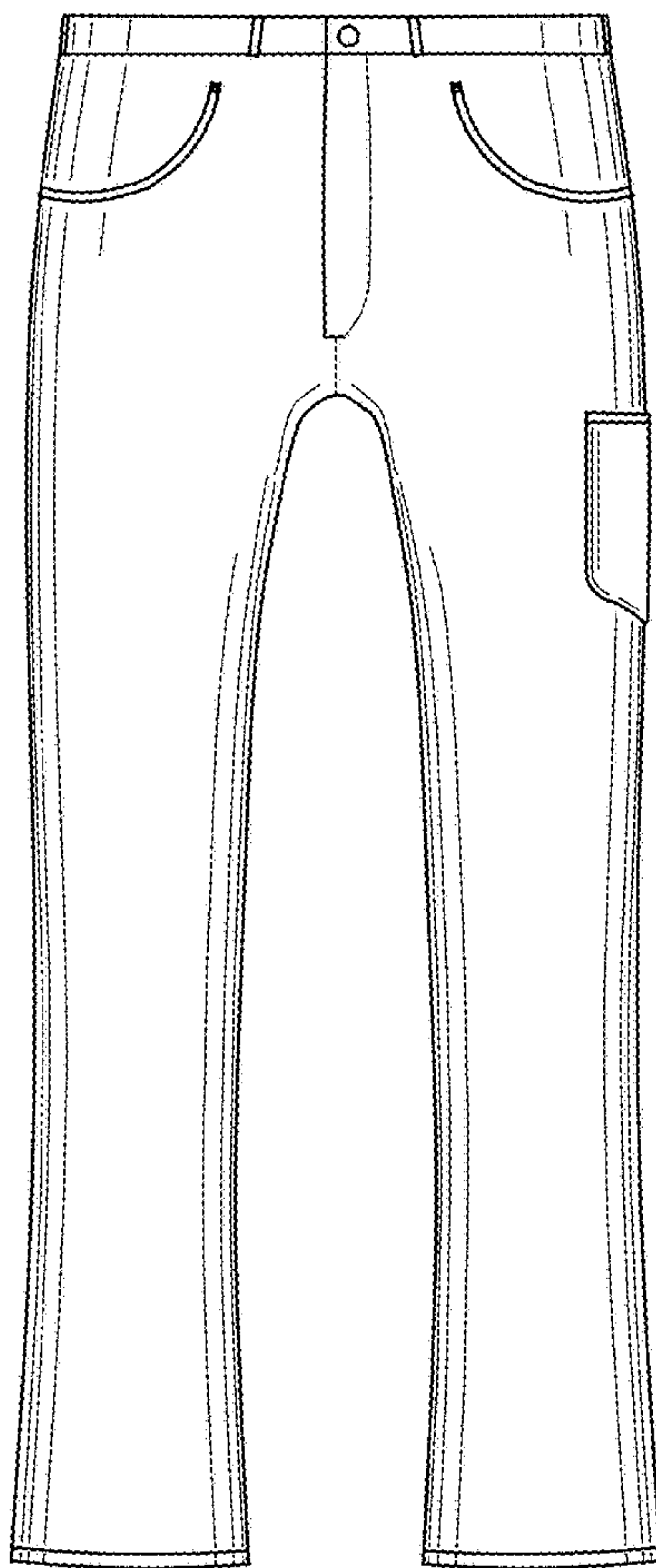


FIG. 1

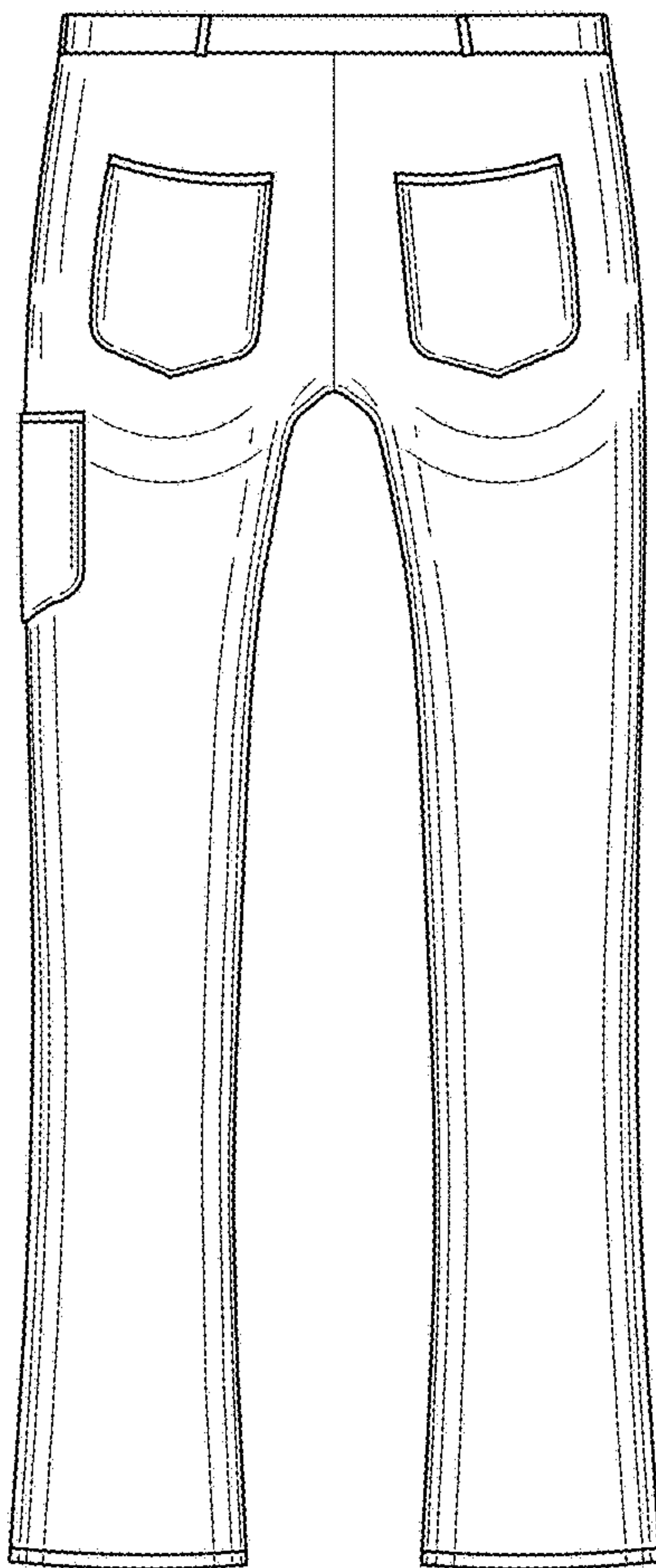


FIG. 2

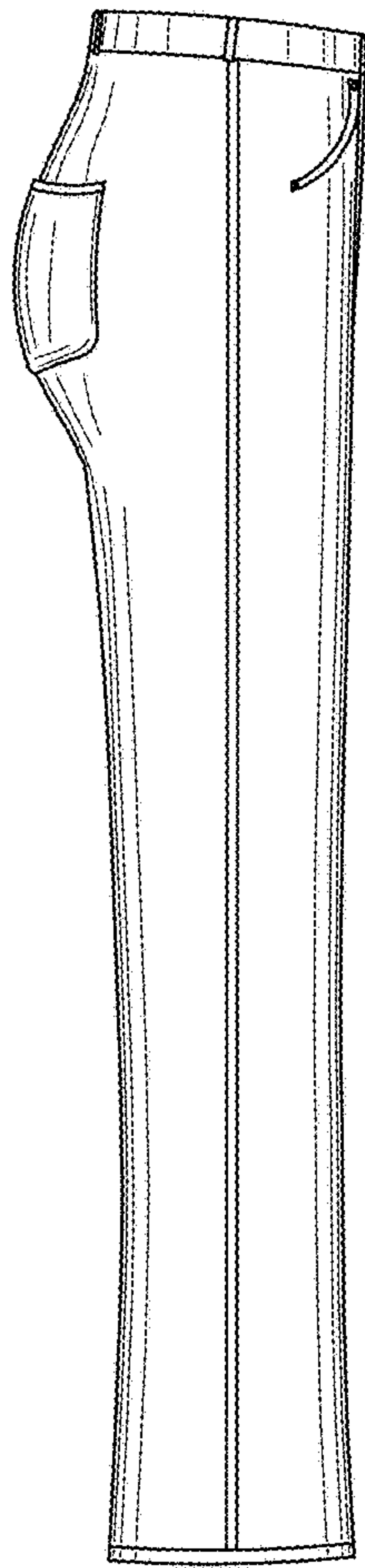


FIG. 3

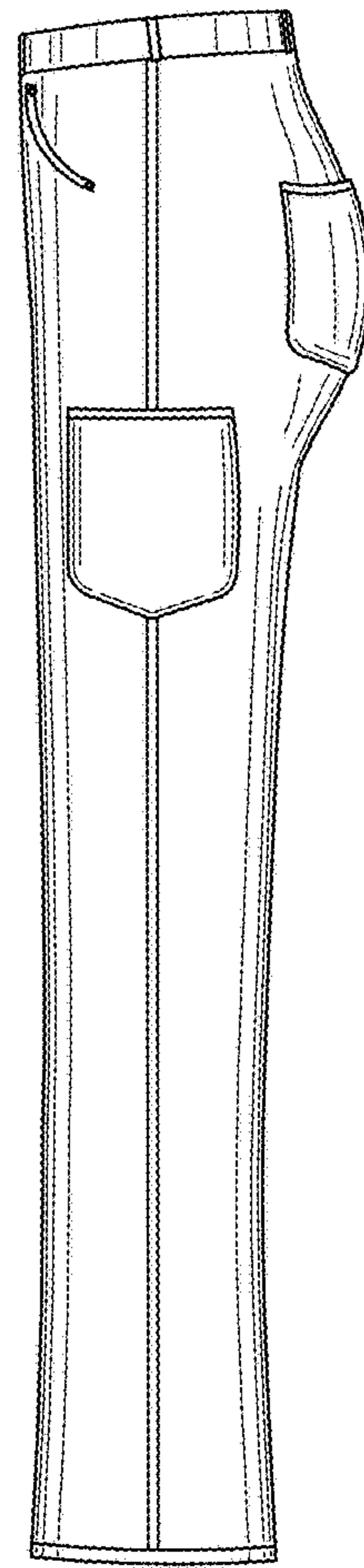


FIG. 4

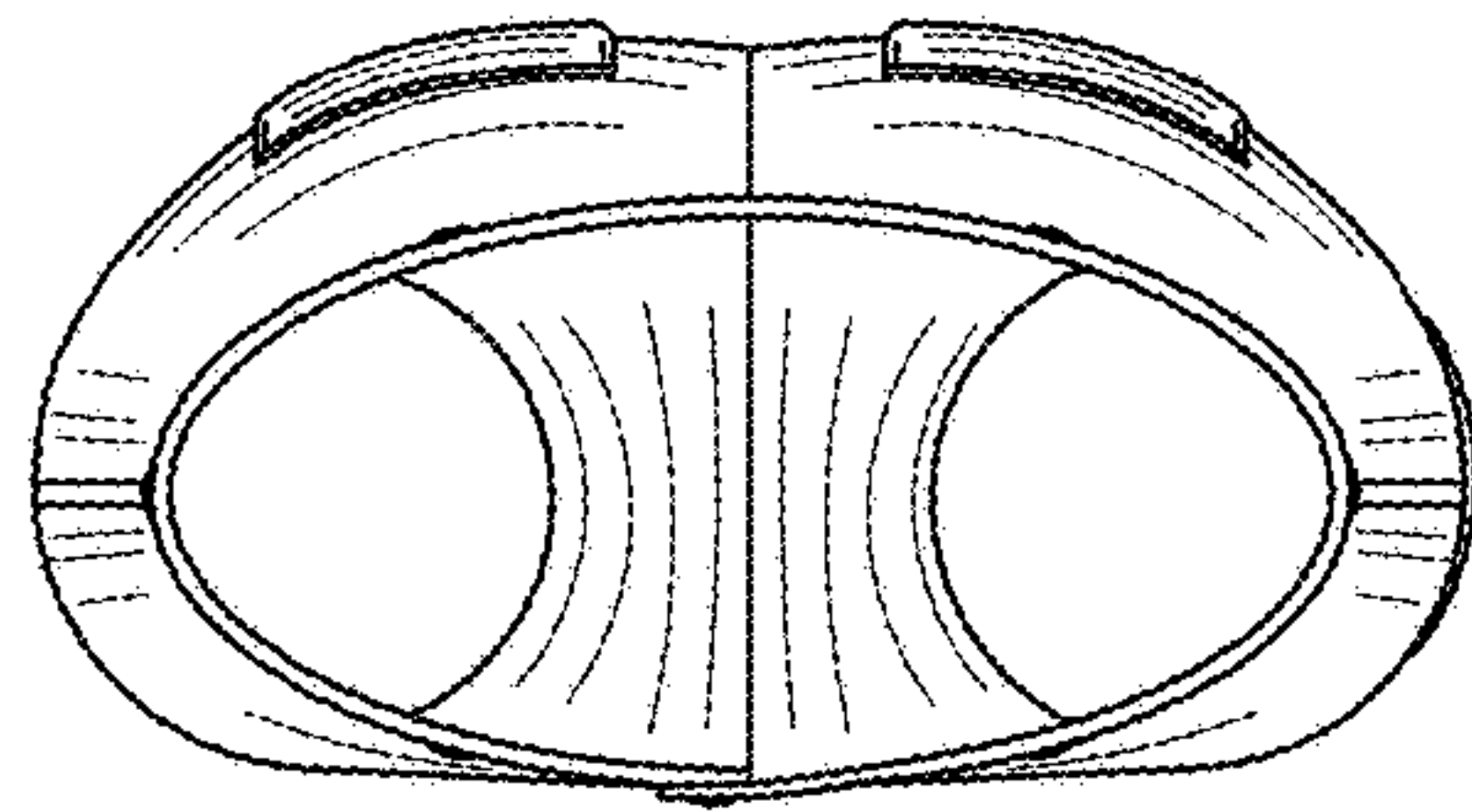


FIG. 5

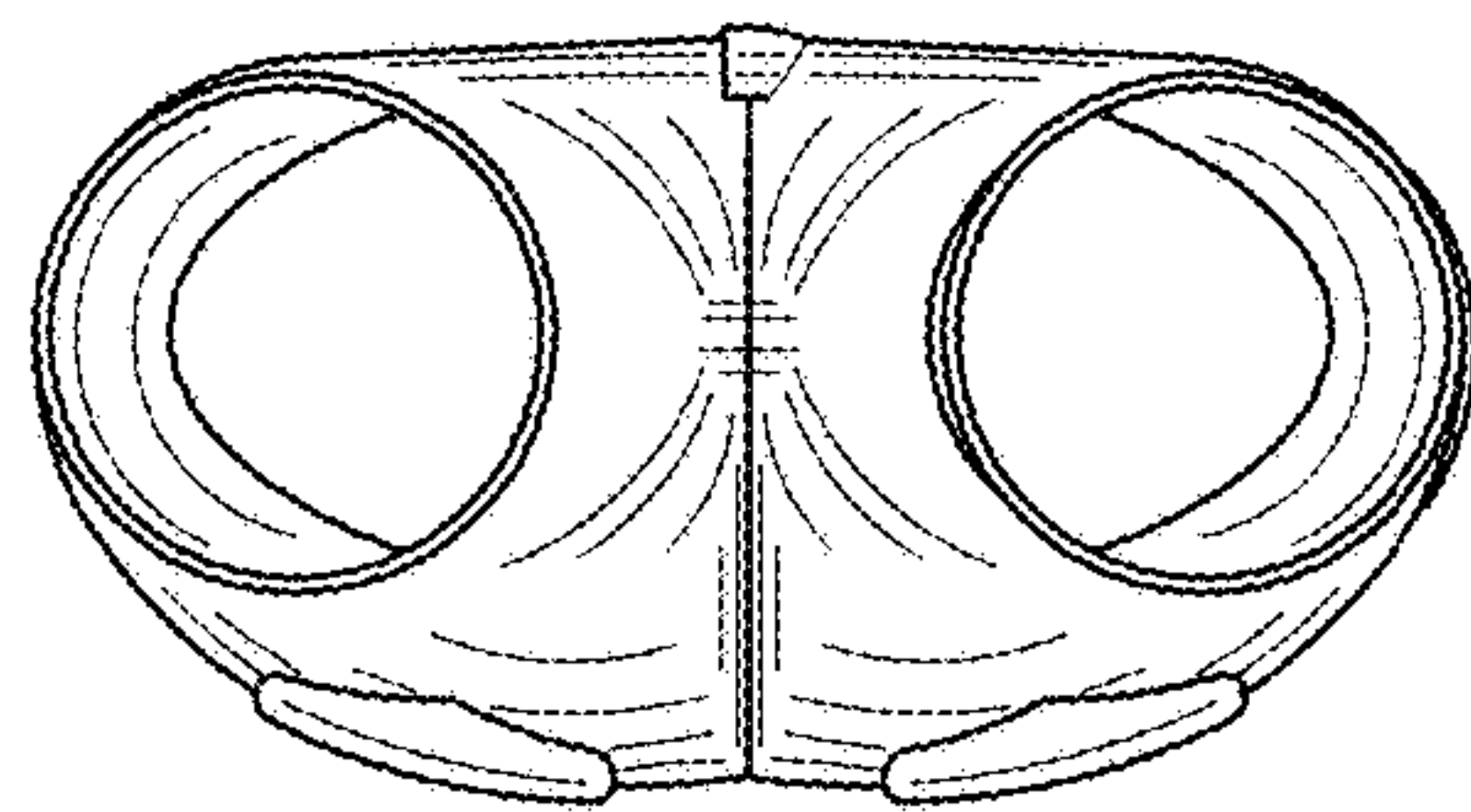


FIG. 6