



US00D858029S

(12) **United States Design Patent**
Jones

(10) **Patent No.:** **US D858,029 S**

(45) **Date of Patent:** **** Aug. 27, 2019**

(54) **MAILBOX INSERT**

(71) Applicant: **Walter Jones**, Warren, NJ (US)

(72) Inventor: **Walter Jones**, Warren, NJ (US)

(**) Term: **15 Years**

(21) Appl. No.: **29/645,378**

(22) Filed: **Apr. 25, 2018**

(51) **LOC (12) Cl.** **99-00**

(52) **U.S. Cl.**
USPC **D99/43**

(58) **Field of Classification Search**
USPC D99/28, 29, 31, 32, 33, 43, 99; 232/17,
232/18, 19, 33, 27, 28, 29, 30, 38;
211/88.01, 126.15, 132.1
CPC A47G 29/00; A47G 29/12; A47G 29/1209;
A47G 29/12095; A47G 29/12097; A47G
29/1216

See application file for complete search history.

(56) **References Cited**

U.S. PATENT DOCUMENTS

- 838,194 A * 12/1906 Larsh A47G 29/12097
232/17
- 1,220,251 A * 3/1917 Martin A47G 29/1209
232/33
- 2,868,444 A * 1/1959 Whittier A47G 29/1209
232/33
- 3,606,140 A * 9/1971 Shannahan A47G 29/1209
232/17
- 4,600,143 A * 7/1986 Harlow, Jr. A47G 29/1216
232/17
- D292,539 S * 10/1987 Harlow, Jr. D99/29
- 4,714,192 A * 12/1987 Harlow, Jr. A47G 29/1216
211/126.15
- 4,753,385 A * 6/1988 Phipps A47G 29/1209
211/132.1
- 4,932,587 A * 6/1990 Robbins A47G 29/1209
232/17

- 5,009,366 A * 4/1991 van Druff, Jr. A47G 29/1209
232/17
- 5,060,900 A * 10/1991 Kokoruda A47G 29/1216
232/39
- 5,083,703 A * 1/1992 Blyakharov A47G 29/1201
211/88.01
- 5,271,555 A * 12/1993 Mayer A47G 29/121
232/17
- D346,265 S * 4/1994 Smith D99/29
- 5,425,501 A * 6/1995 Wesorick A47G 29/1209
232/17
- D365,189 S * 12/1995 Dennis D99/29

(Continued)

Primary Examiner — Elizabeth J Oswecki

(74) *Attorney, Agent, or Firm* — Larry E. Henneman, Jr.;
Henneman & Associates, PLC

(57) **CLAIM**

The ornamental design for a mailbox insert, as shown and described.

DESCRIPTION

FIG. 1 is a perspective view of a mailbox insert showing my new design, in an assembled position and in a used condition with a broken line mailbox;

FIG. 2 is a perspective view thereof;

FIG. 3 is another perspective view thereof, shown in an assembled position without the mailbox;

FIG. 4 is a front view thereof;

FIG. 5 is a rear view thereof;

FIG. 6 is a left-side view thereof;

FIG. 7 is a right-side view thereof;

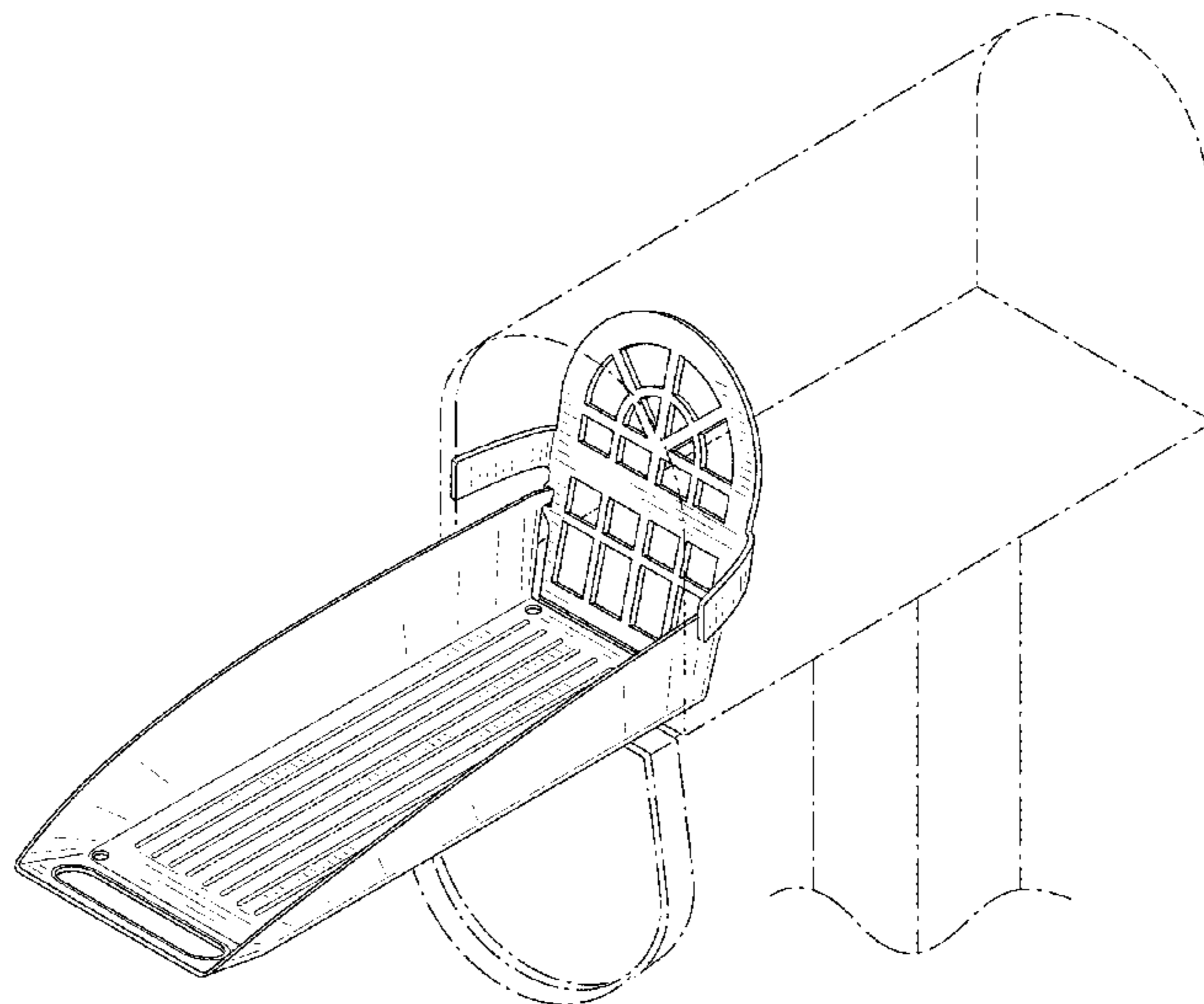
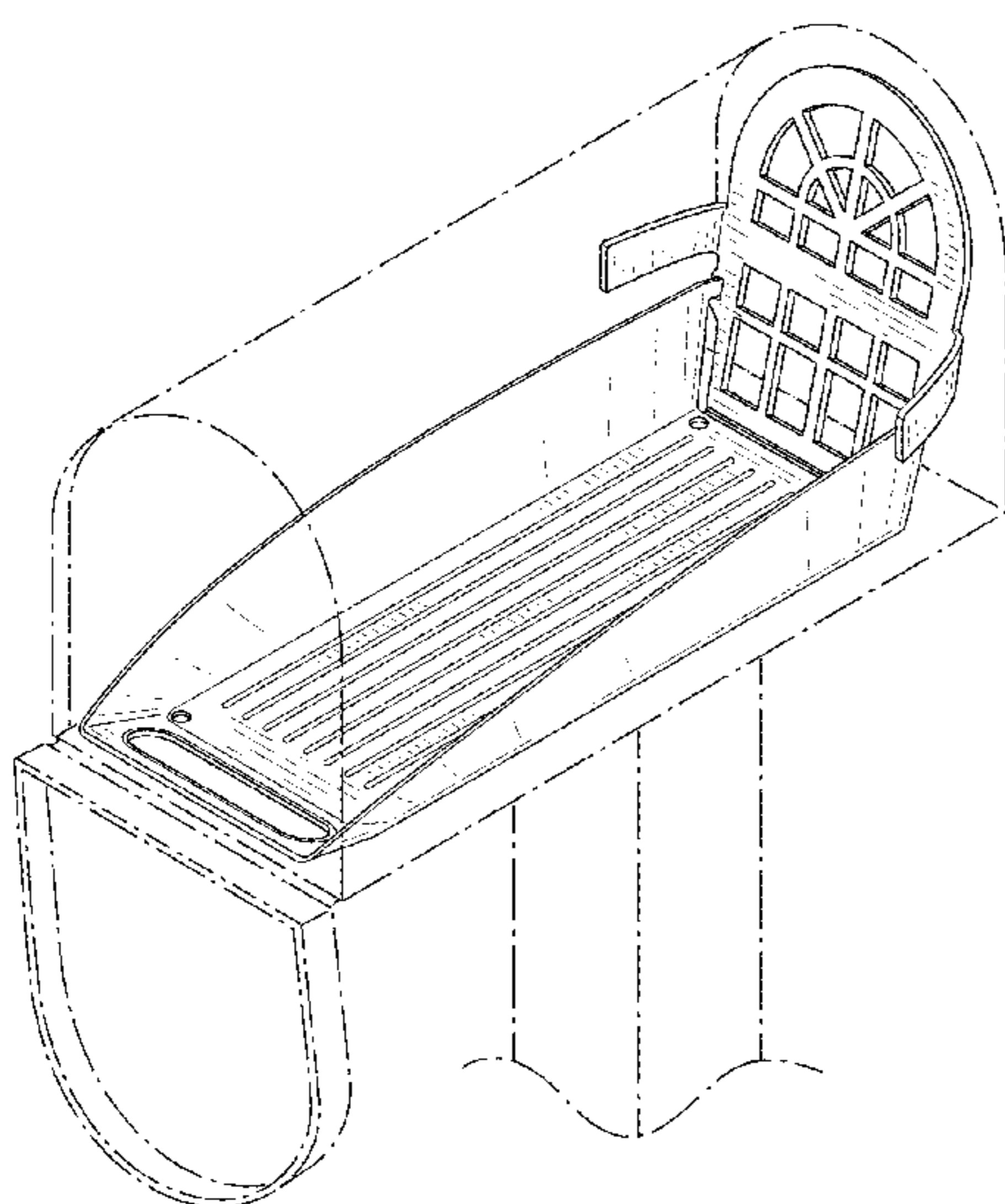
FIG. 8 is a top plan view thereof;

FIG. 9 is a bottom plan view thereof; and,

FIG. 10 is another perspective view thereof, shown in a disassembled position.

The broken lines of the mailbox in FIGS. 1 and 2 form no part of the claimed design.

1 Claim, 9 Drawing Sheets



(56)

References Cited

U.S. PATENT DOCUMENTS

5,765,749 A * 6/1998 Harper A47G 29/1209
232/17

5,775,578 A * 7/1998 Baxi A47G 29/1209
232/17

D438,688 S * 3/2001 Rastetter D99/29

D450,418 S * 11/2001 Belt D99/29

D476,132 S * 6/2003 Piner D99/43

6,698,651 B1 * 3/2004 Green A47G 29/1209
232/17

6,997,373 B2 * 2/2006 Flores A47G 29/1209
232/17

7,000,826 B2 * 2/2006 Billings A47G 29/1209
232/17

7,004,380 B2 * 2/2006 Gunvaldson A47G 29/12097
232/29

D531,379 S * 10/2006 Piner D99/29

7,210,616 B1 * 5/2007 Van Watermulen
A47G 29/12097
232/29

7,451,912 B1 * 11/2008 Taube, II A47G 29/1209
232/17

8,042,729 B2 * 10/2011 Dinh A47G 29/1209
232/17

8,388,168 B1 * 3/2013 Li A47G 29/122
232/29

8,616,435 B2 * 12/2013 Crabtree A47G 29/1209
232/17

8,657,185 B2 * 2/2014 Corey A47G 29/1209
232/17

D786,556 S * 5/2017 Jones D3/304

9,675,195 B1 * 6/2017 De La Nuez A47G 29/1209

D802,967 S * 11/2017 Henonin D6/675

D802,968 S * 11/2017 Henonin D6/675

* cited by examiner

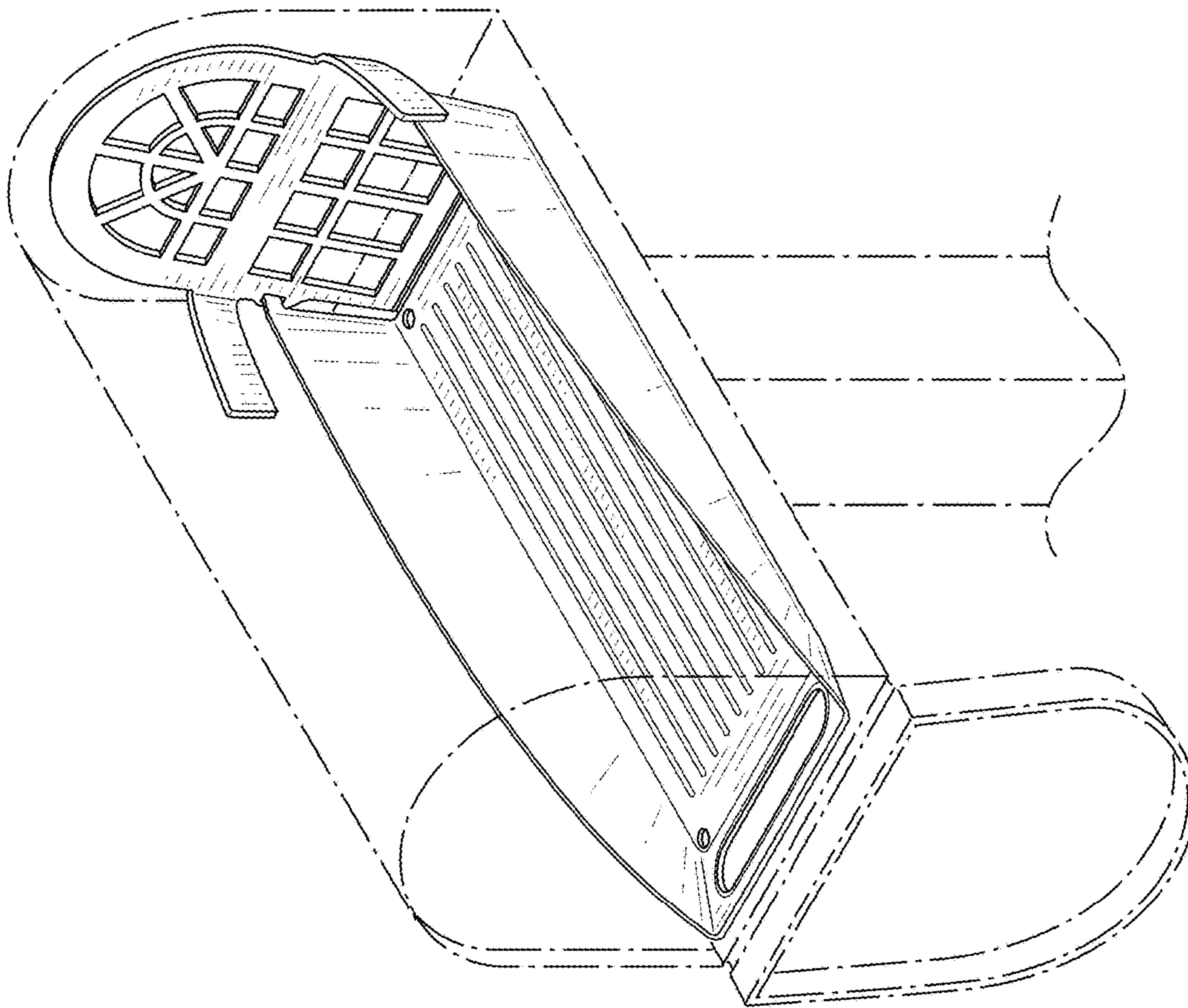


FIG. 1

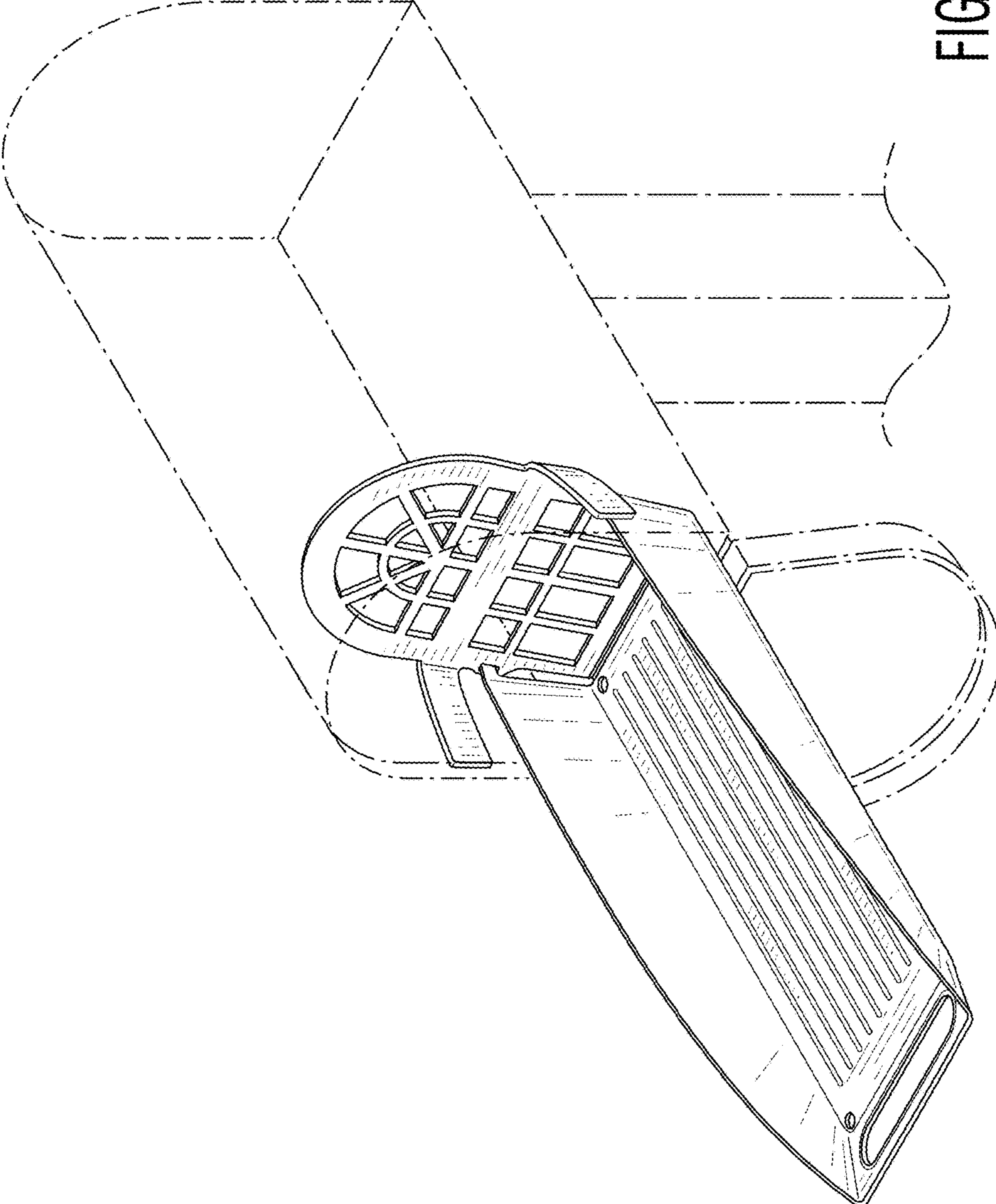


FIG. 2

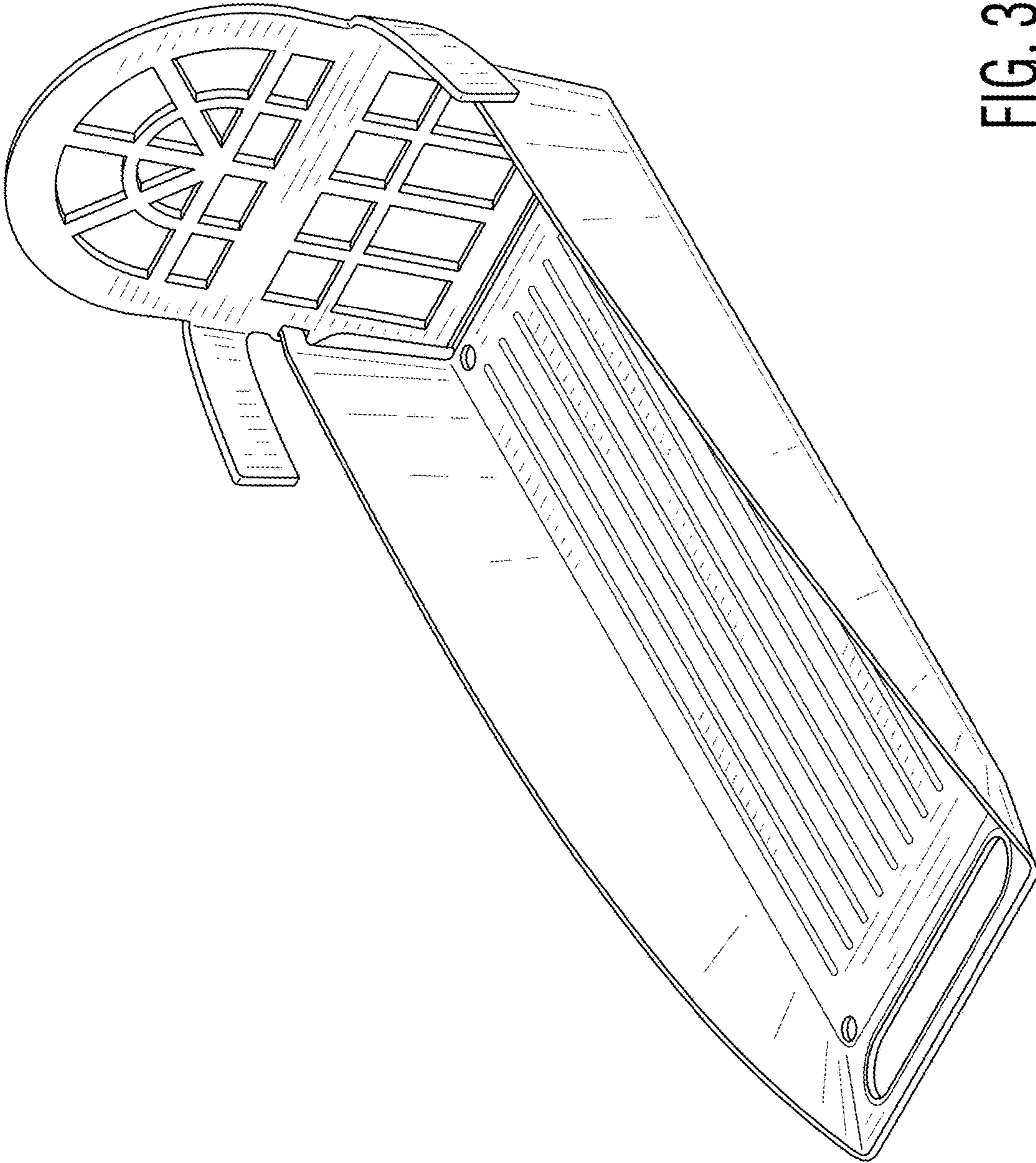


FIG. 3

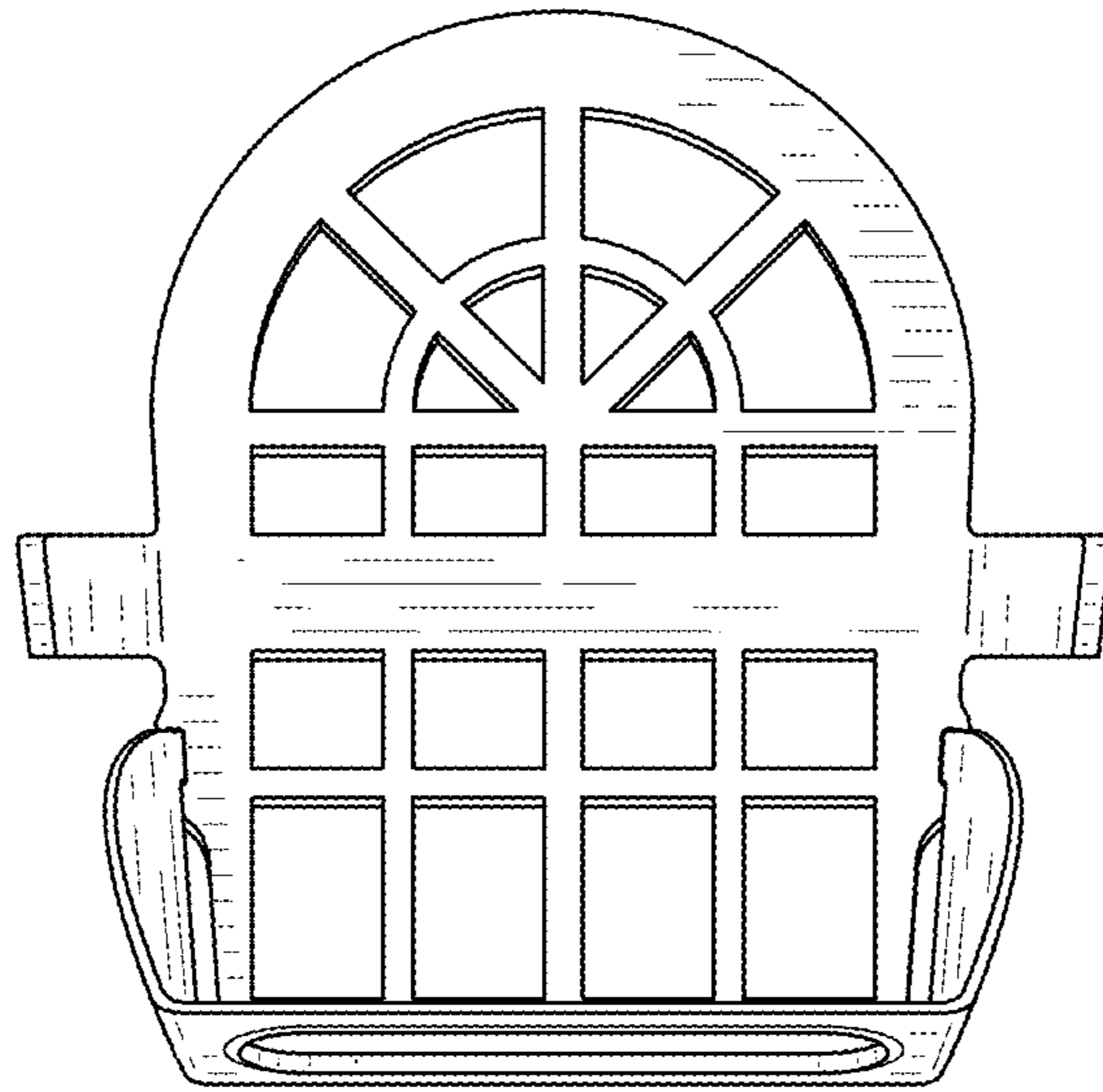


FIG. 4

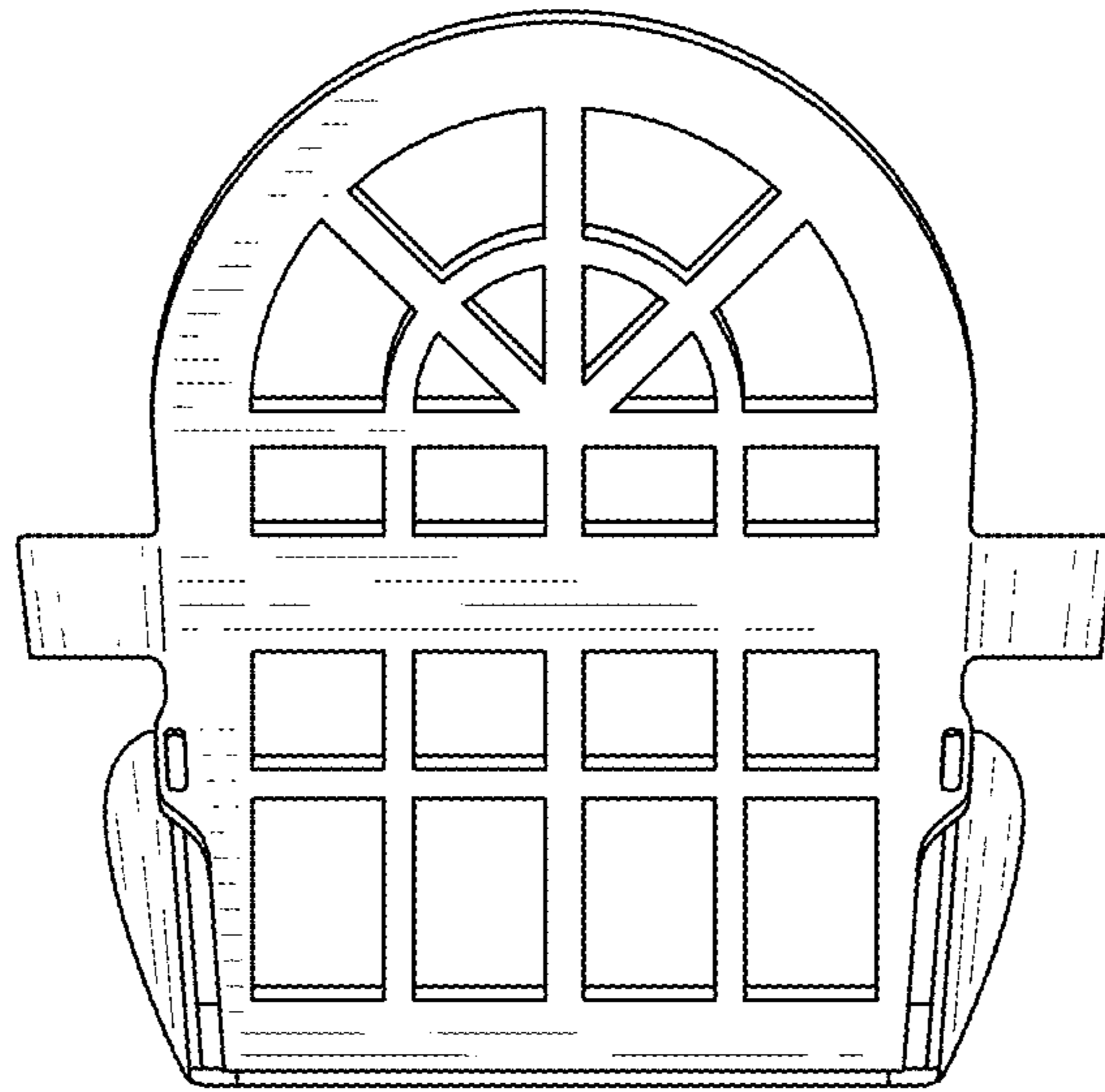


FIG. 5

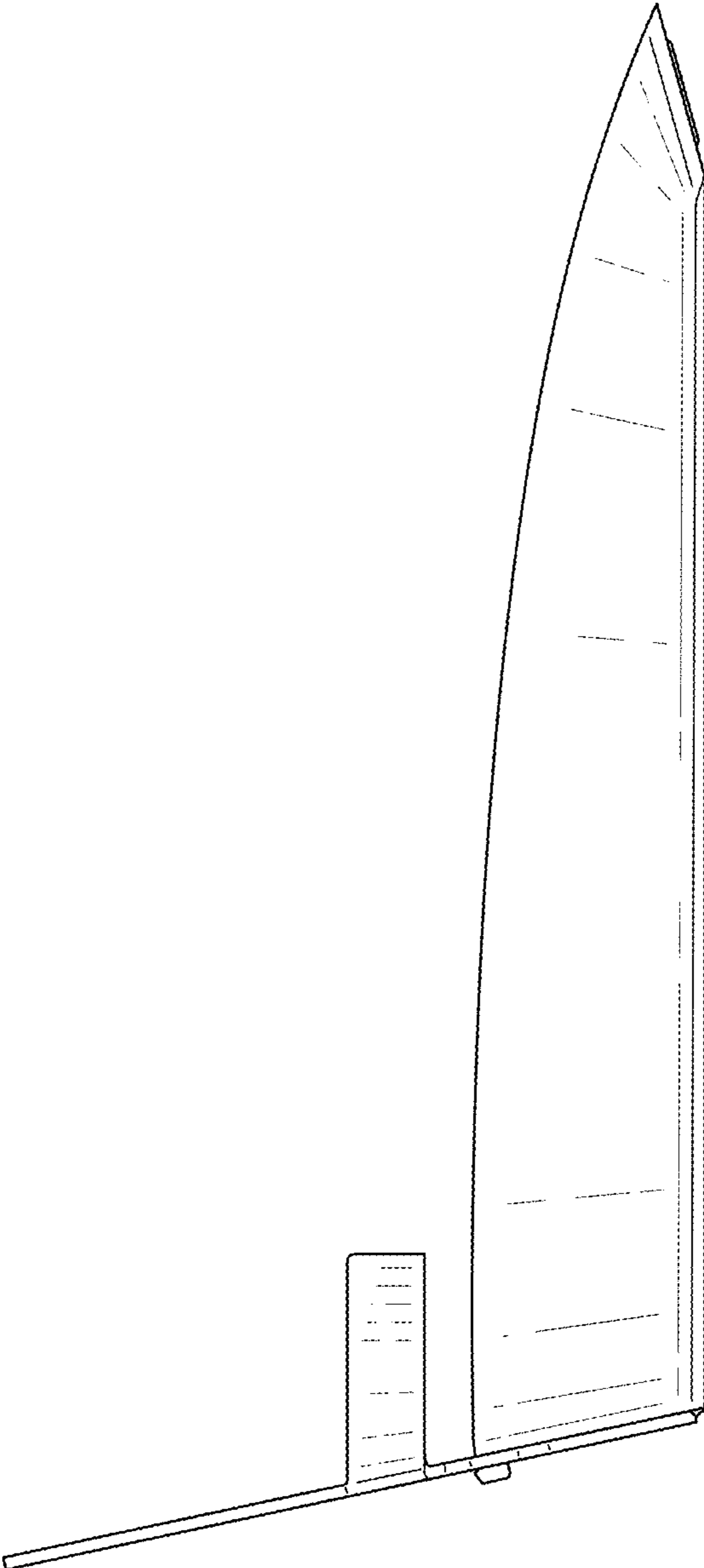


FIG. 6

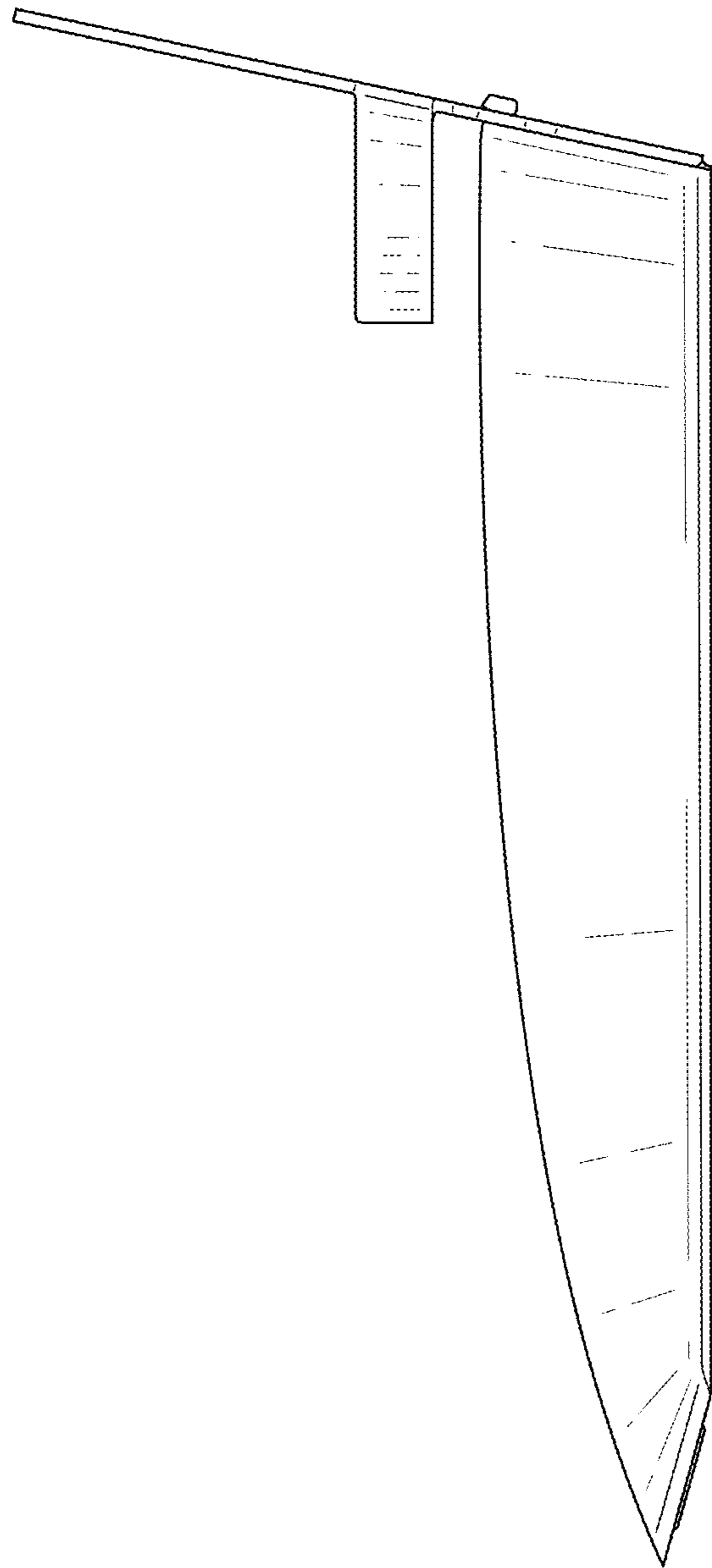


FIG. 7

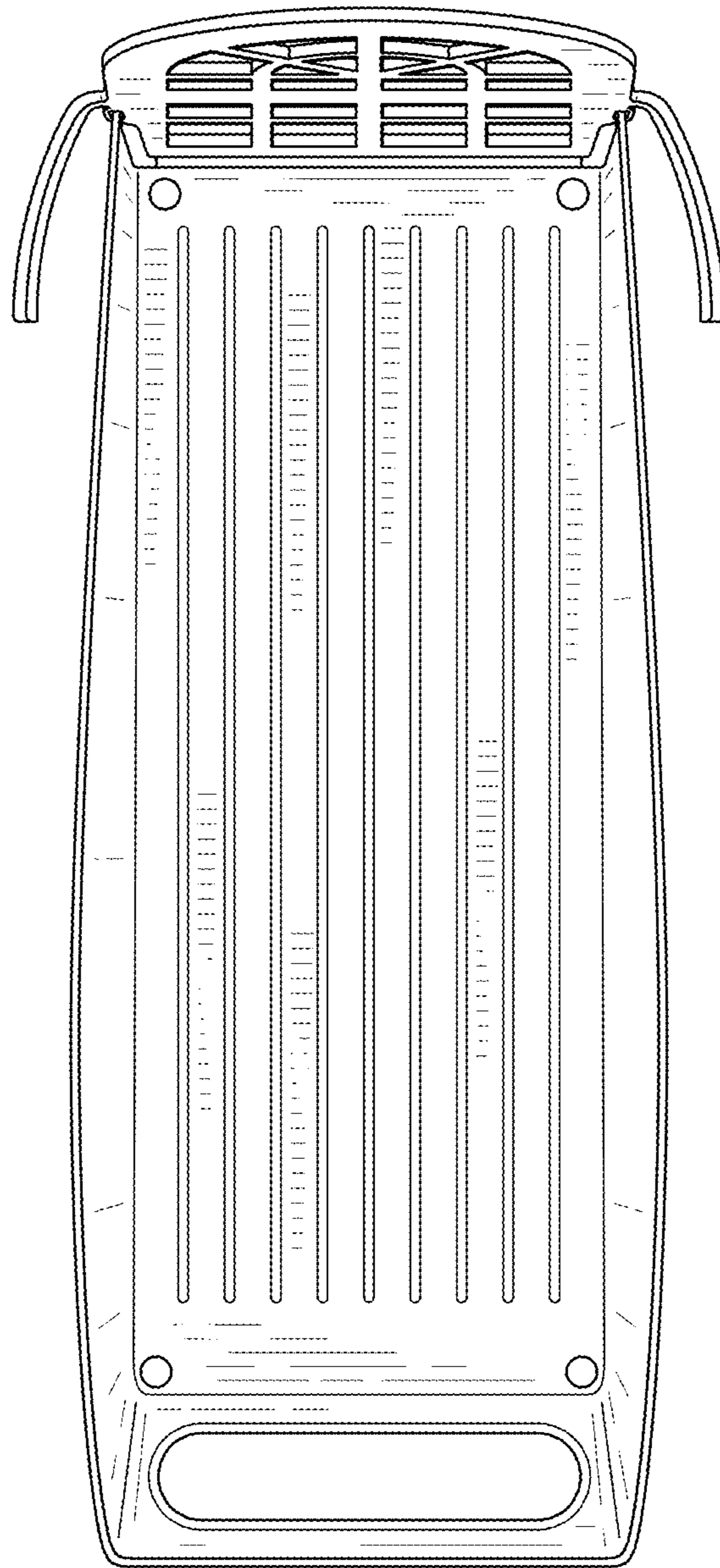


FIG. 8

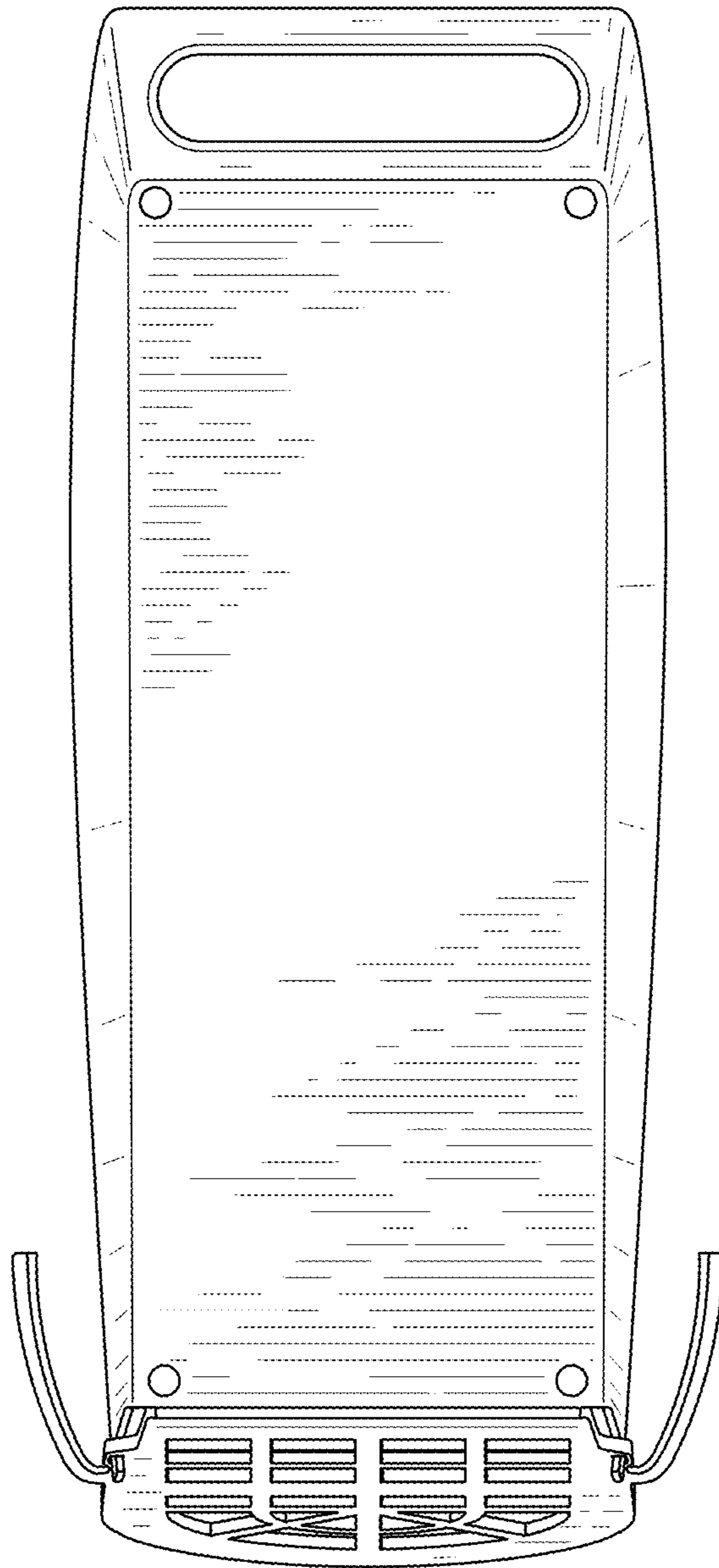


FIG. 9

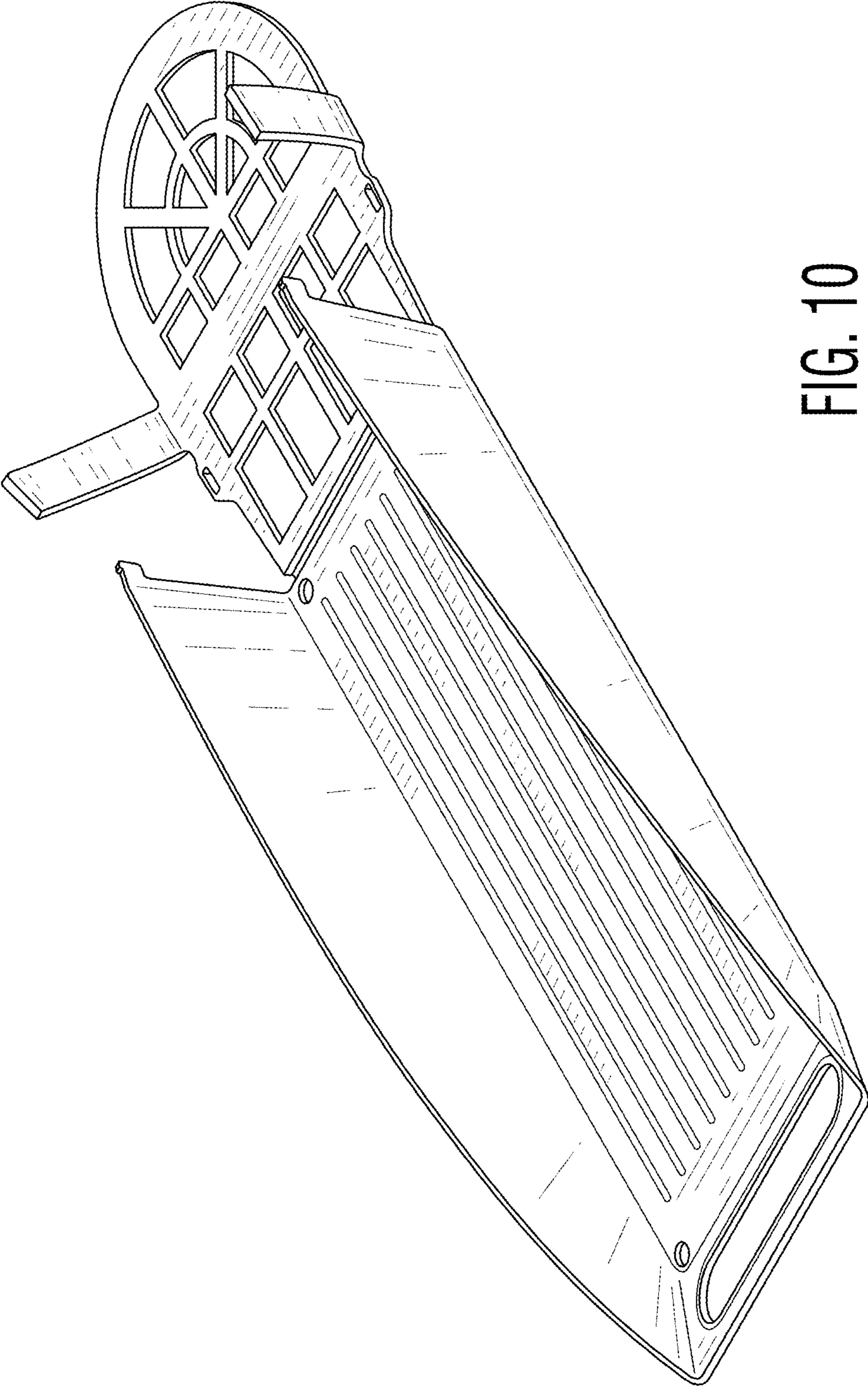


FIG. 10