



US00D858028S

(12) **United States Design Patent**  
**Tsukii**

(10) **Patent No.:** **US D858,028 S**

(45) **Date of Patent:** **\*\* Aug. 27, 2019**

(54) **CASKET**

(71) Applicant: **Toshikazu Tsukii**, Oro Valley, AZ (US)

(72) Inventor: **Toshikazu Tsukii**, Oro Valley, AZ (US)

(\*\*) Term: **15 Years**

(21) Appl. No.: **29/675,259**

(22) Filed: **Dec. 29, 2018**

(51) **LOC (12) Cl.** ..... **99-00**

(52) **U.S. Cl.**  
USPC ..... **D99/3**

(58) **Field of Classification Search**  
USPC ..... D99/3, 1; 27/1, 4, 19, 35; D9/600;  
D27/173; D12/3, 16.1, 129; D21/430,  
D21/436, 815, 820; D26/34, 59;  
40/124.5, 661; 2/171; 312/140.3;  
D6/388, 658, 391; 446/62; D19/63;  
5/2.1

CPC ..... A61G 17/00; A61G 17/0073; A47B 83/00  
See application file for complete search history.

(56) **References Cited**

**U.S. PATENT DOCUMENTS**

56,364	A *	7/1866	Burns	.....	A61G 17/00	229/186
183,974	A *	10/1876	Robinson	.....	27/3	
258,161	A *	5/1882	Van Dusen	.....	27/3	
D56,919	S *	1/1921	Gordon	.....	D99/37	
D56,990	S *	1/1921	Place	.....	D2/869	
1,446,110	A *	2/1923	Williams	.....	A63H 27/00	244/91
D73,884	S *	11/1927	Weisenfriend	.....	D7/301	
1,727,484	A *	9/1929	Myers	.....	A42B 1/004	2/171
1,920,746	A *	8/1933	Guillow	.....	A63H 27/007	446/62
D132,383	S *	5/1942	Reedy	.....	244/13	
D148,800	S *	2/1948	Laughead	.....	280/1.21	

D163,837	S *	7/1951	Waldron	.....	D99/3	
3,222,817	A *	12/1965	Brandstetter	.....	A63H 27/00	446/62
3,525,132	A *	8/1970	Fernand	.....	A61G 17/007	27/19
4,212,386	A *	7/1980	Maisonneuve	.....	A24F 15/20	206/265
4,399,596	A *	8/1983	Parlour	.....	A61G 17/00	27/4

(Continued)

*Primary Examiner* — Paula Allen Greene

(74) *Attorney, Agent, or Firm* — Eugene Vamos

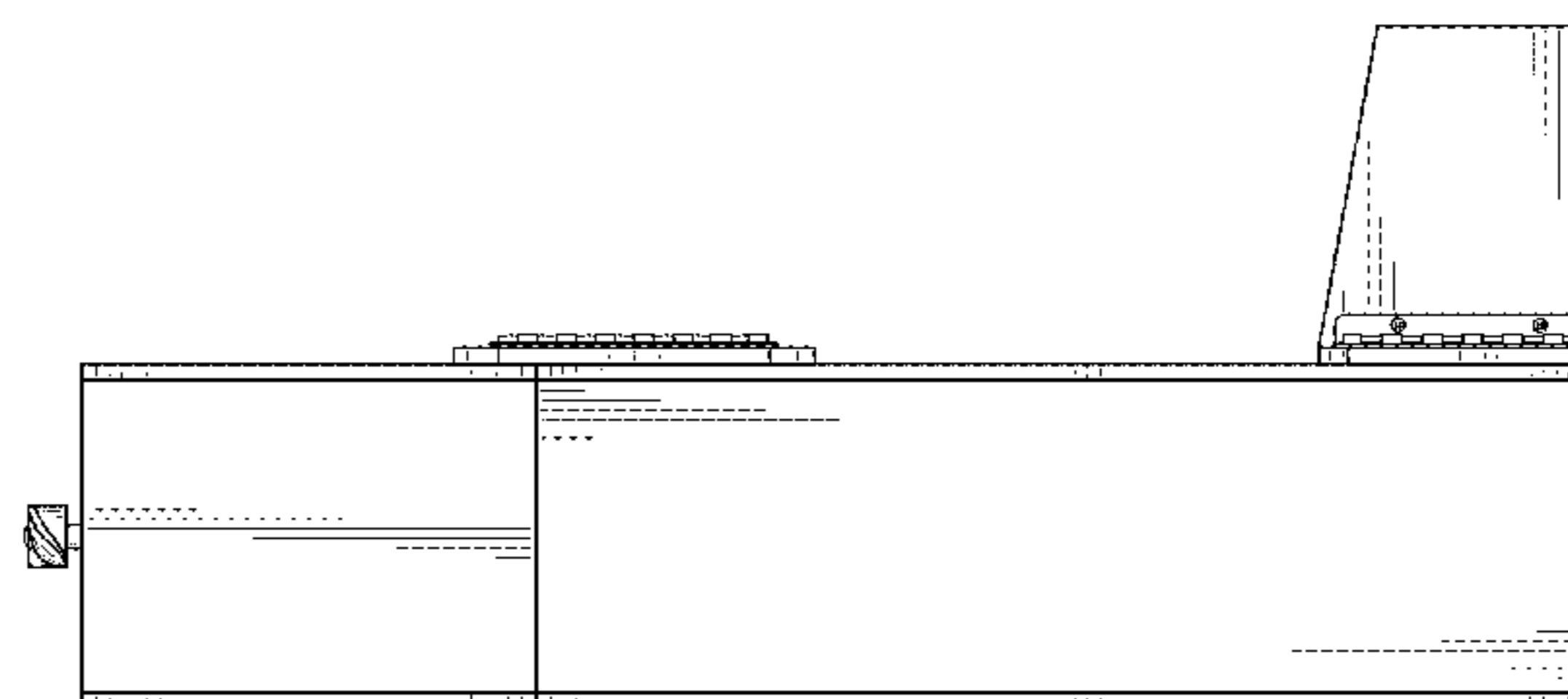
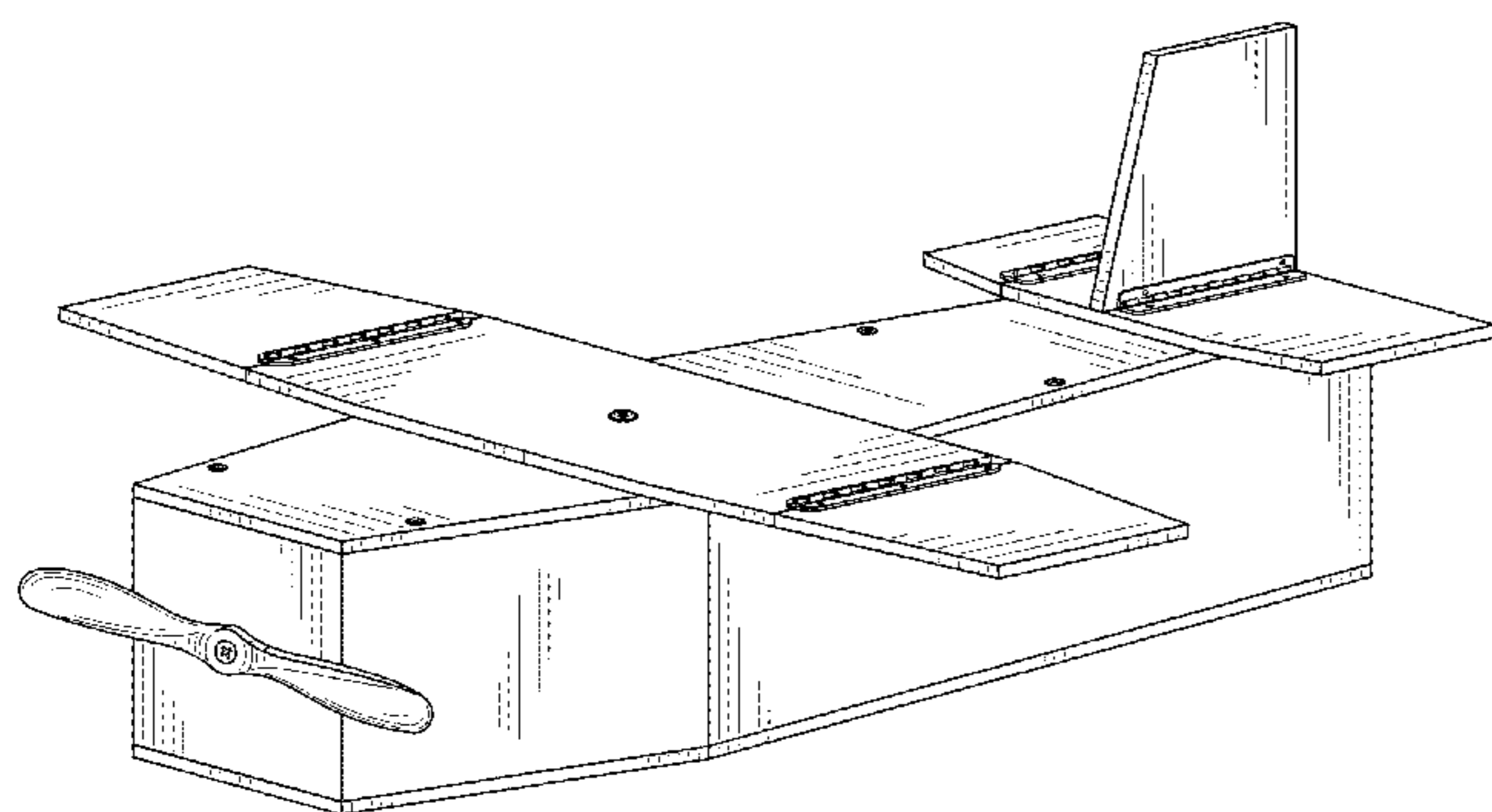
(57) **CLAIM**

The ornamental design for a casket, as shown and described.

**DESCRIPTION**

FIG. 1 is a front right perspective view of a casket in an unfolded configuration, showing my new design;  
 FIG. 2 is a front elevation view thereof;  
 FIG. 3 is a back elevation view thereof;  
 FIG. 4 is a right side elevation view thereof;  
 FIG. 5 is a left side elevation view thereof;  
 FIG. 6 is a top plan view thereof;  
 FIG. 7 is a bottom plan view thereof;  
 FIG. 8 is a back right perspective view thereof;  
 FIG. 9 is a back left perspective view thereof;  
 FIG. 10 is a front right perspective view of the casket in a folded configuration;  
 FIG. 11 is a front elevation view thereof;  
 FIG. 12 is a back elevation view thereof;  
 FIG. 13 is a right side elevation view thereof;  
 FIG. 14 is a left side elevation view thereof;  
 FIG. 15 is a top plan view thereof;  
 FIG. 16 is a bottom plan view thereof;  
 FIG. 17 is a back right perspective view thereof; and,  
 FIG. 18 is a back left perspective view thereof.

**1 Claim, 14 Drawing Sheets**



(56)

**References Cited**

## U.S. PATENT DOCUMENTS

4,517,713 A \* 5/1985 Swallert ..... A61G 17/00  
27/14  
4,854,018 A \* 8/1989 Von Bratt ..... A61G 17/04  
27/19  
4,891,869 A \* 1/1990 Nutting ..... A61G 17/00  
220/560.15  
D313,745 S \* 1/1991 Akman ..... D27/173  
5,035,032 A \* 7/1991 Nutting ..... A61G 17/00  
27/4  
5,111,559 A \* 5/1992 Mohr ..... A61G 17/00  
27/4  
5,307,545 A \* 5/1994 Stoltz ..... A61G 17/00  
229/186  
5,423,706 A \* 6/1995 Chase ..... A63H 27/004  
446/213  
D407,179 S \* 3/1999 Curtis ..... D99/1  
D419,260 S \* 1/2000 Manzo, Jr. .... D27/188  
D437,099 S \* 1/2001 Nutting ..... D99/1  
6,370,744 B1 \* 4/2002 Mendez ..... A61G 17/00  
27/2  
6,675,408 B1 \* 1/2004 Mason ..... A47D 7/00  
5/2.1  
7,811,151 B2 \* 10/2010 Conrad ..... A63H 27/007  
244/63  
D629,737 S \* 12/2010 Betsch ..... D12/319  
D667,759 S \* 9/2012 Kettavong ..... D12/129  
D729,694 S \* 5/2015 Earon ..... D12/16.1  
D809,993 S \* 2/2018 Tsukii ..... D12/343  
2008/0149758 A1 \* 6/2008 Colgren ..... B64C 9/02  
244/13

\* cited by examiner

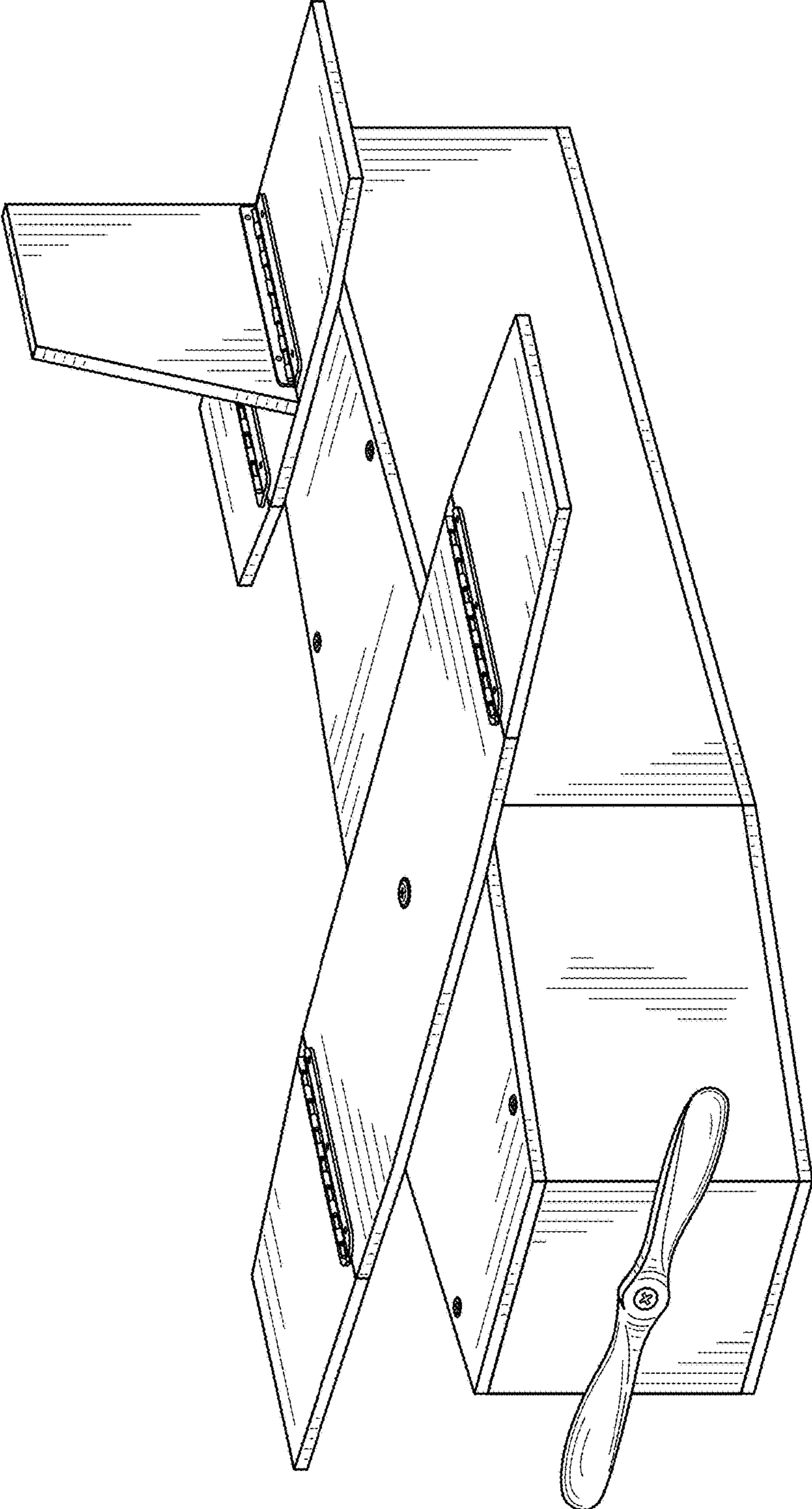


FIG. 1

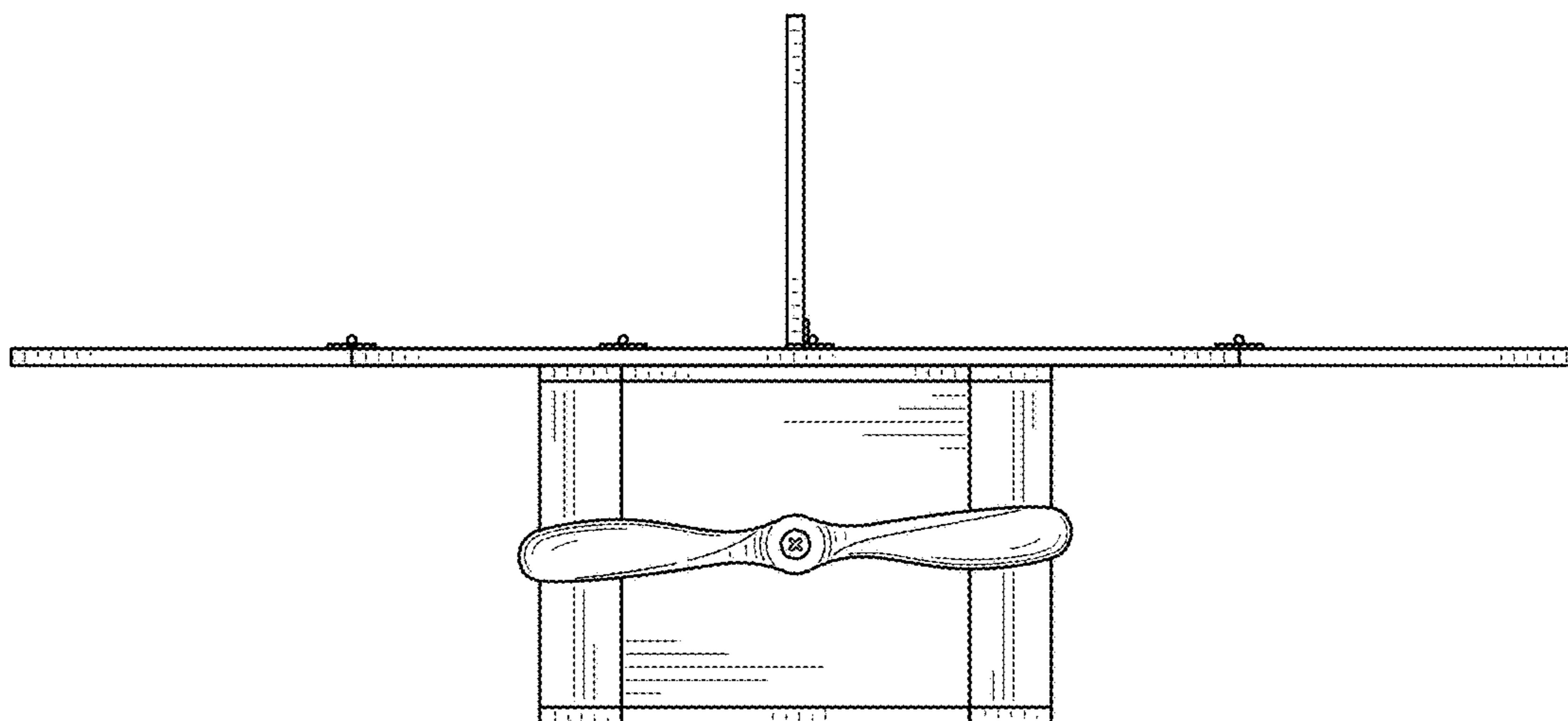


FIG. 2

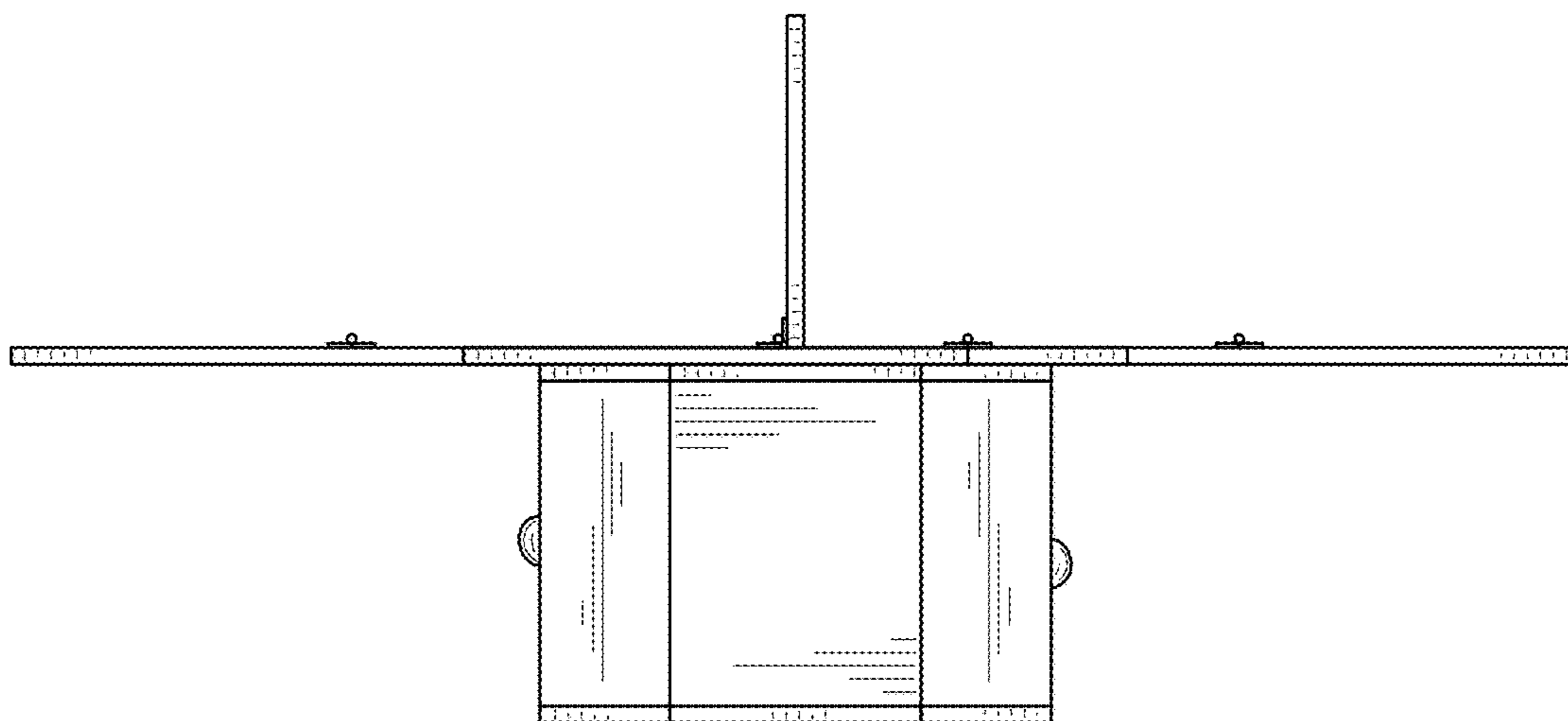


FIG. 3

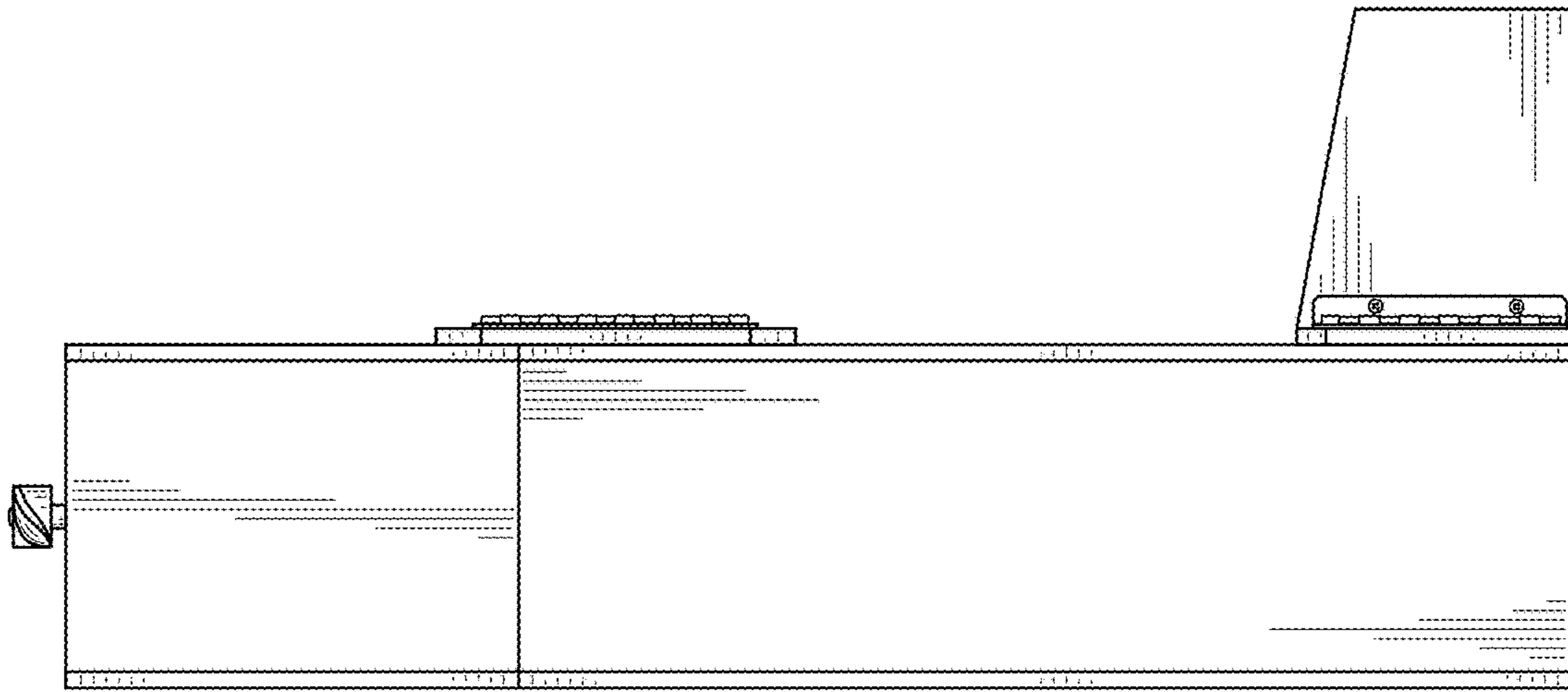


FIG. 4

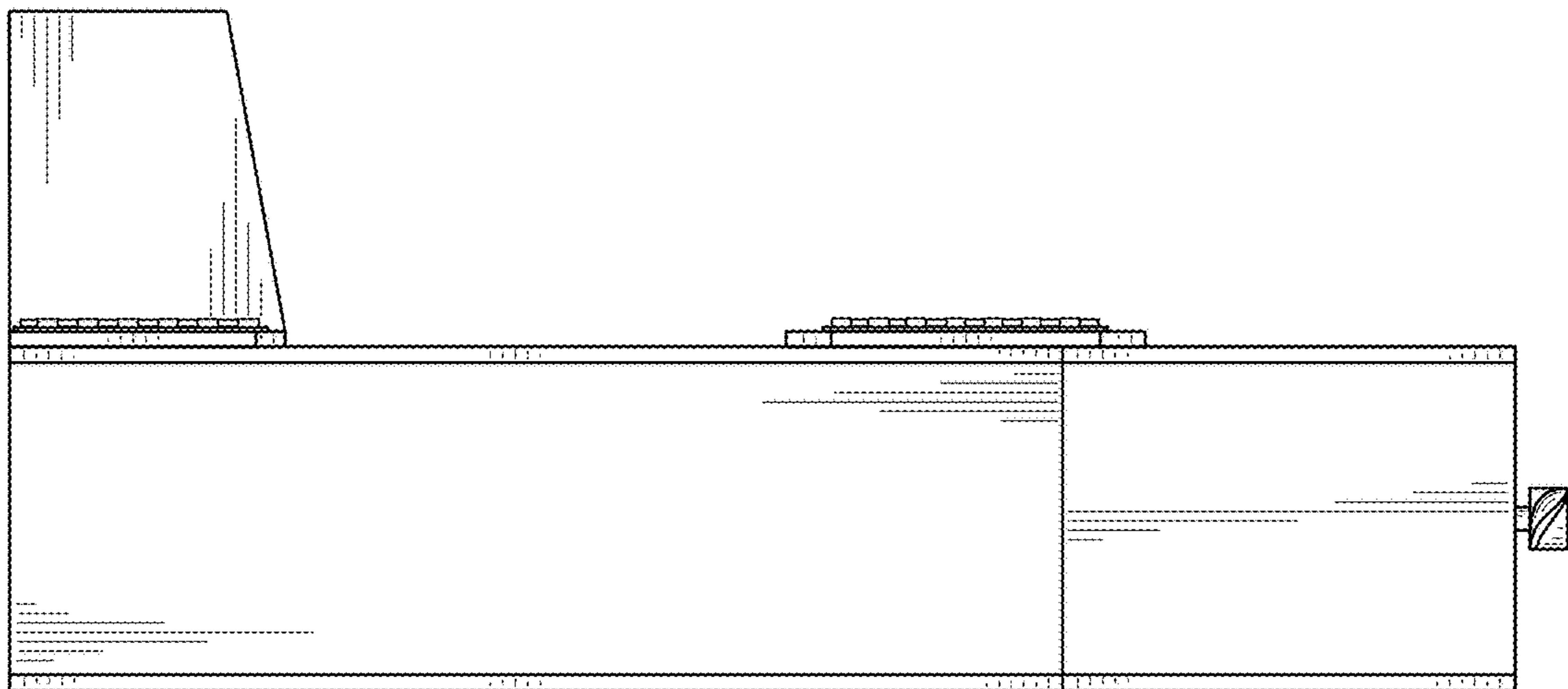


FIG. 5

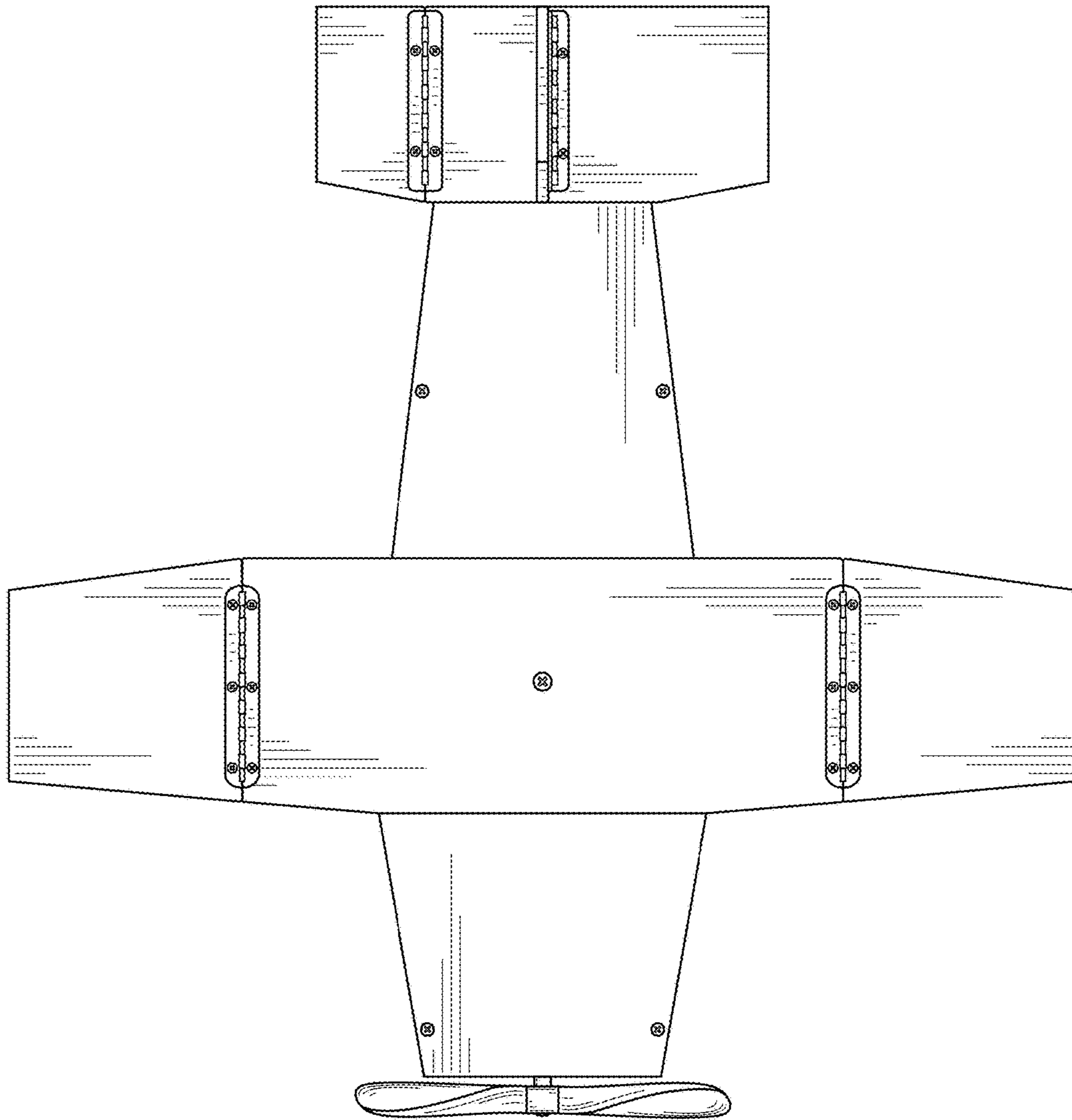


FIG. 6



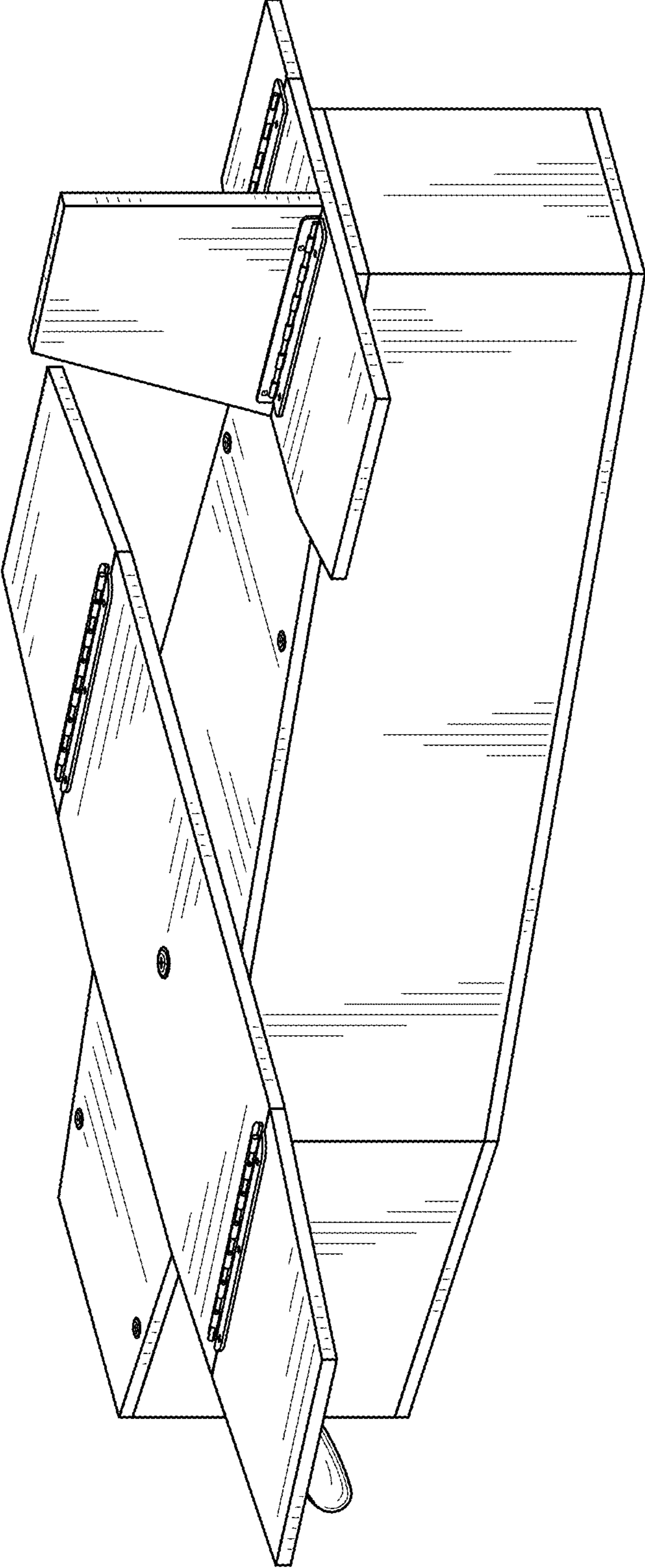


FIG. 8



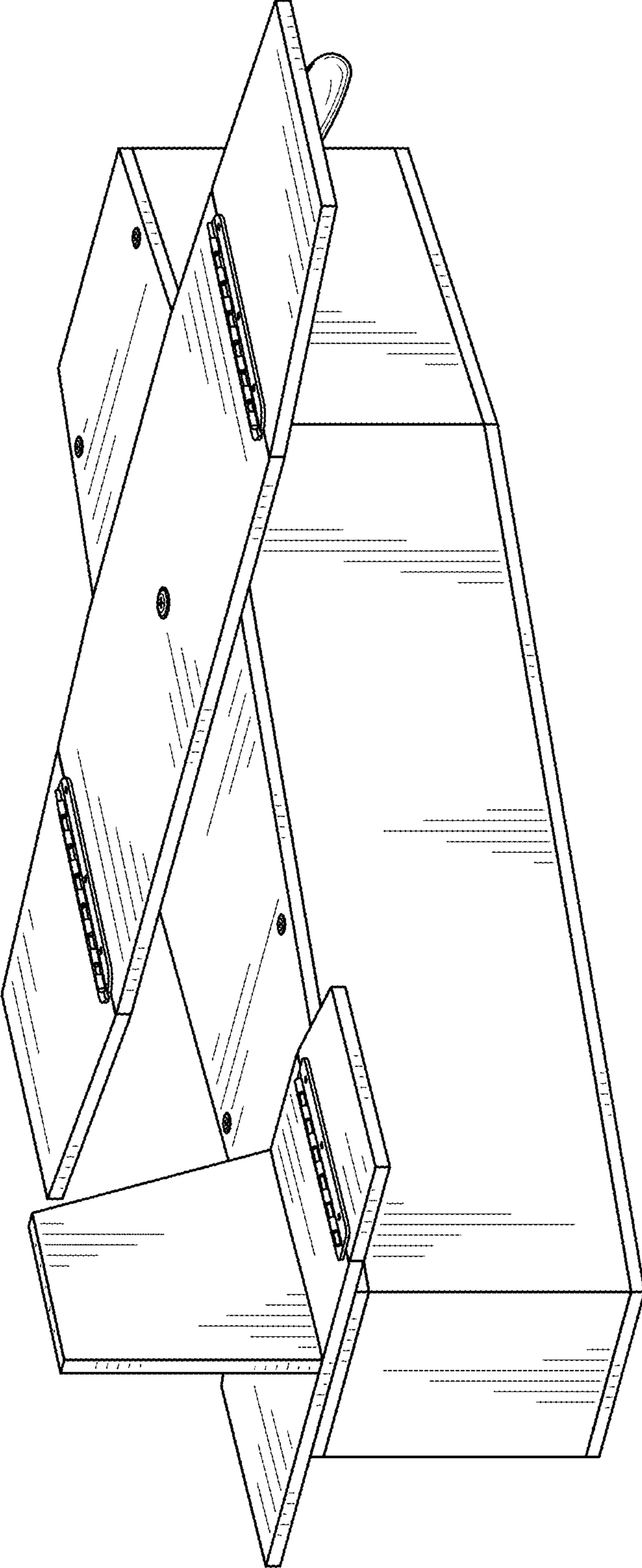


FIG. 9

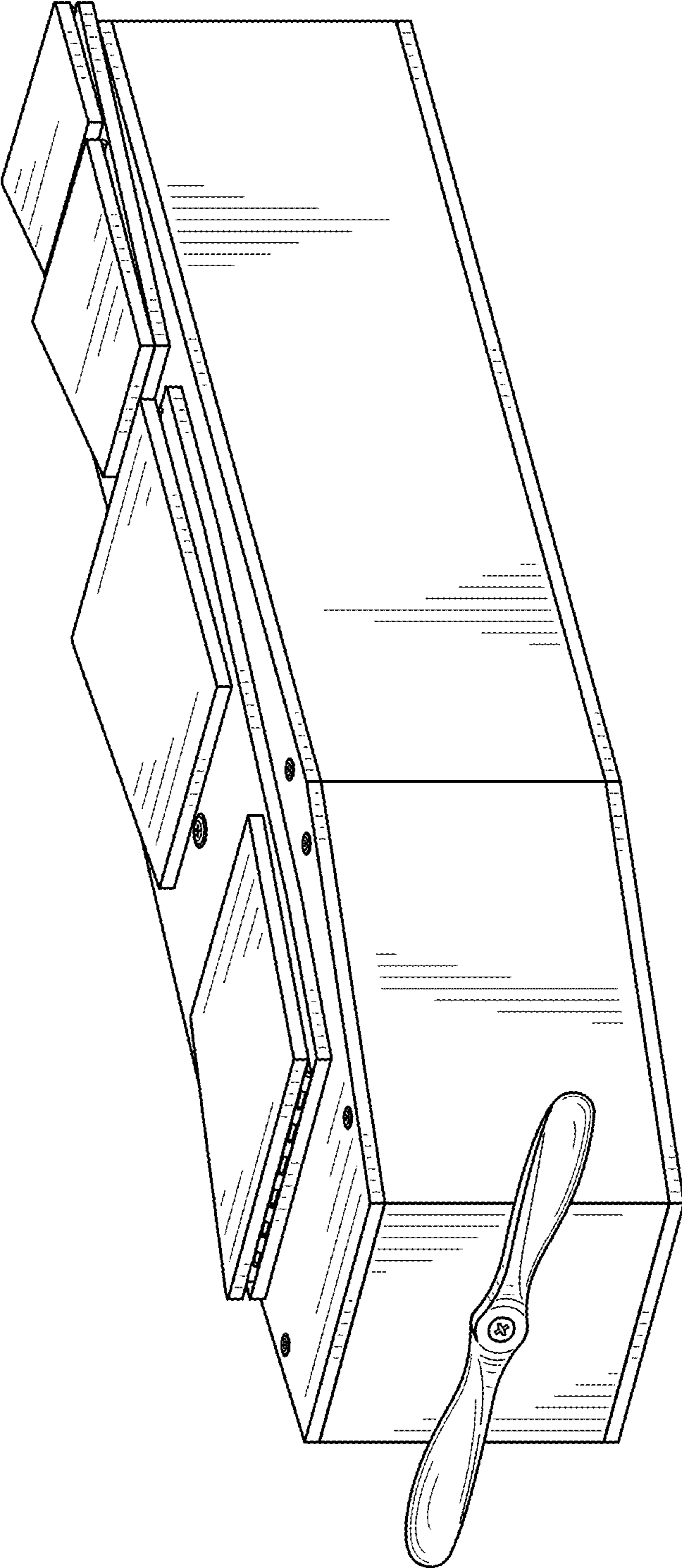


FIG. 10

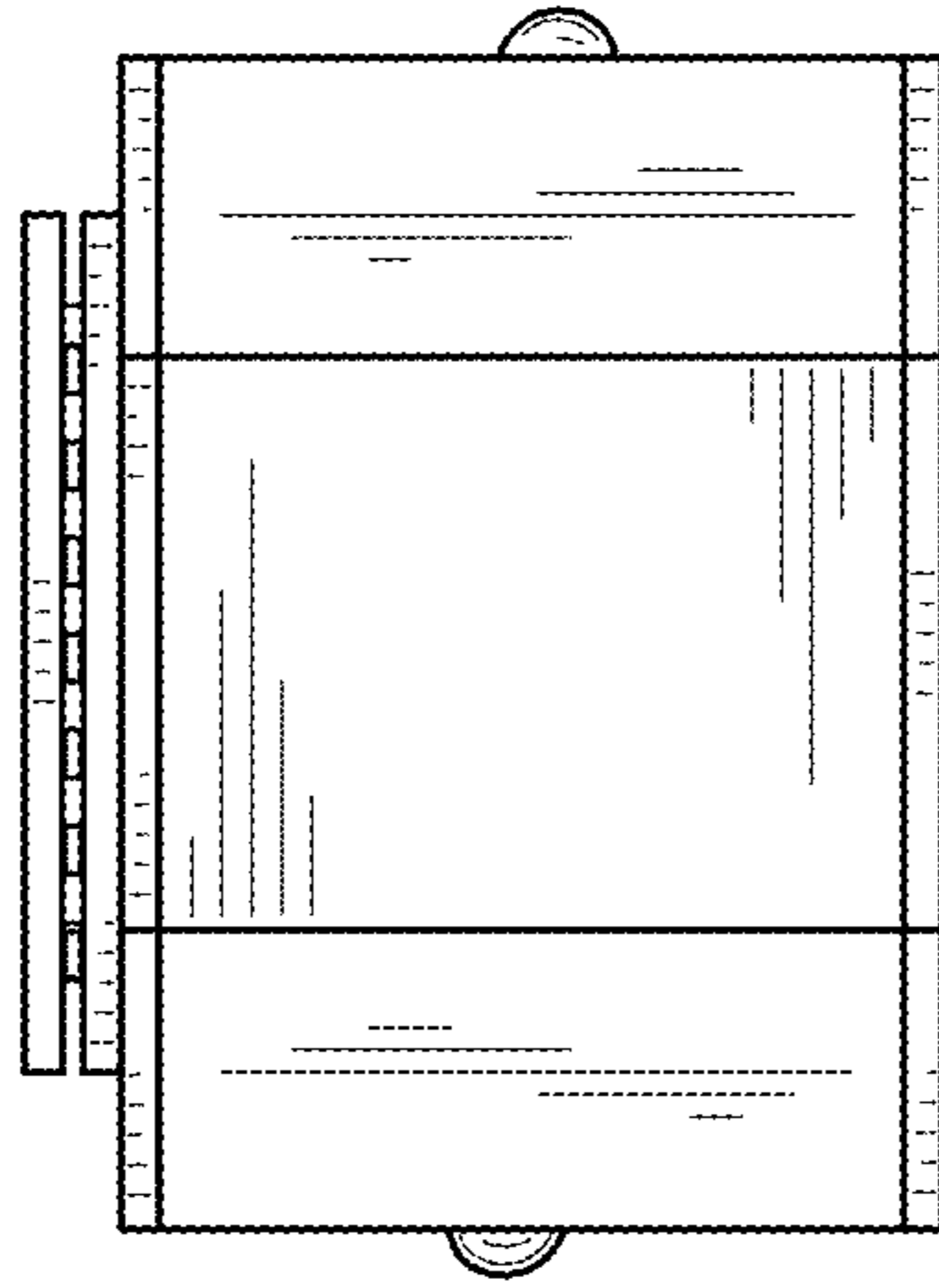


FIG. 12

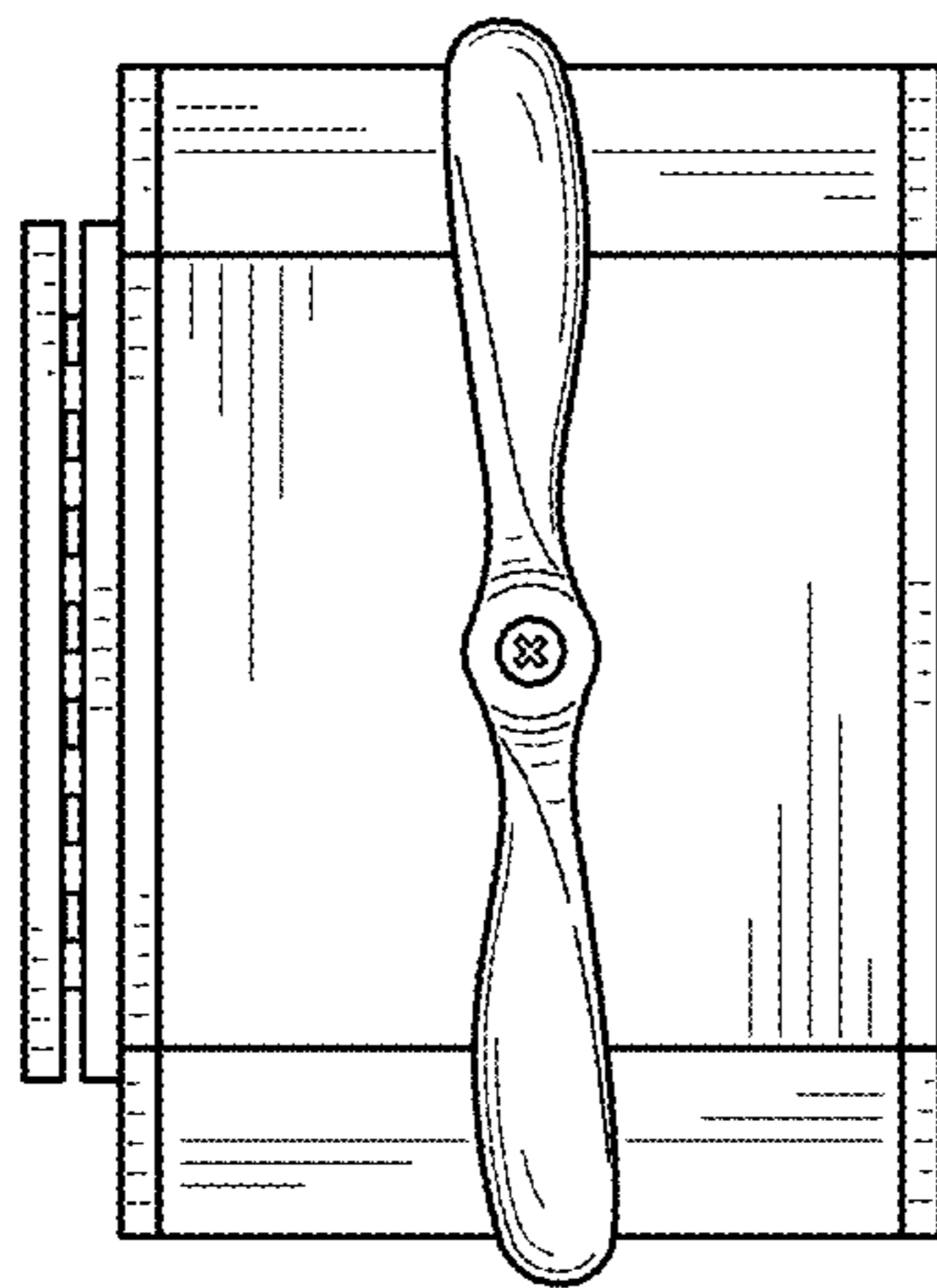


FIG. 11

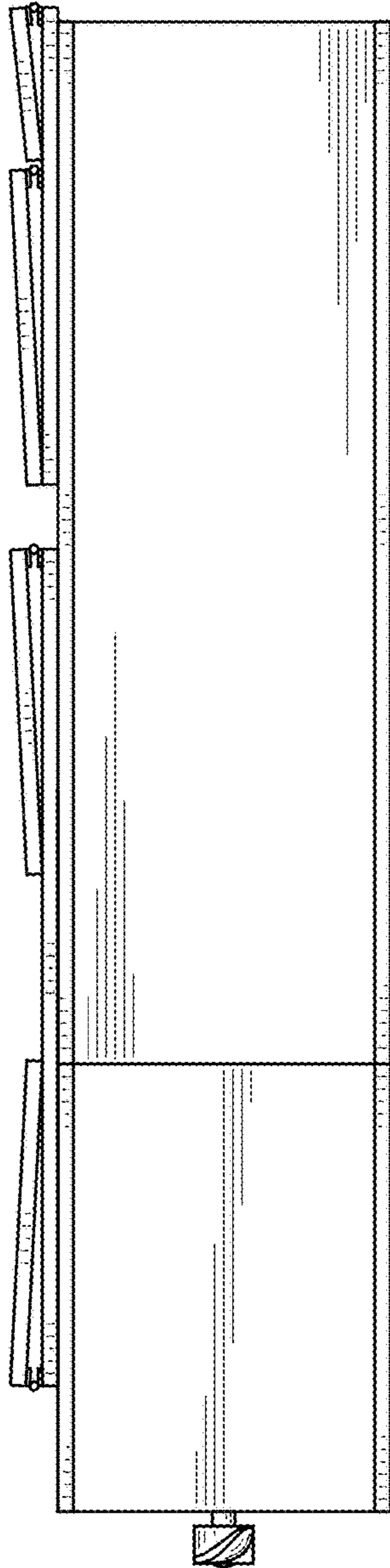


FIG. 13

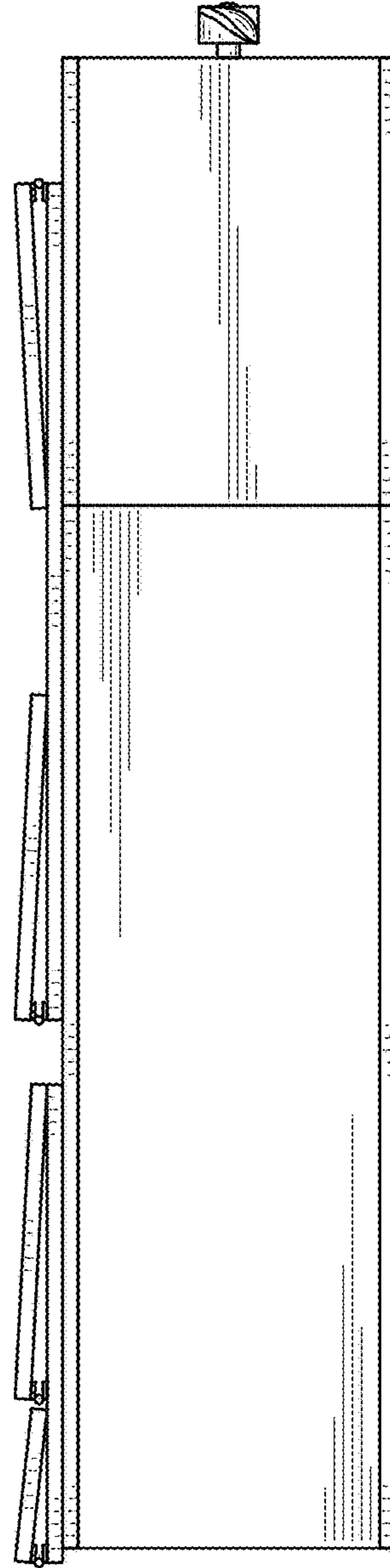


FIG. 14

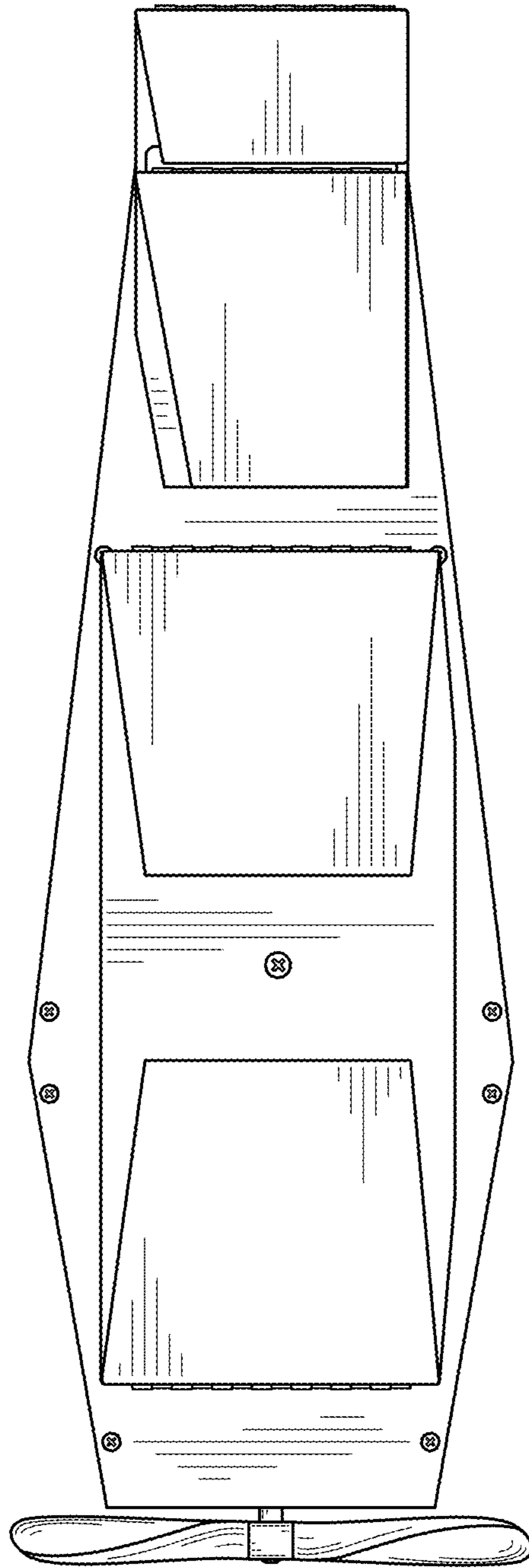


FIG. 15

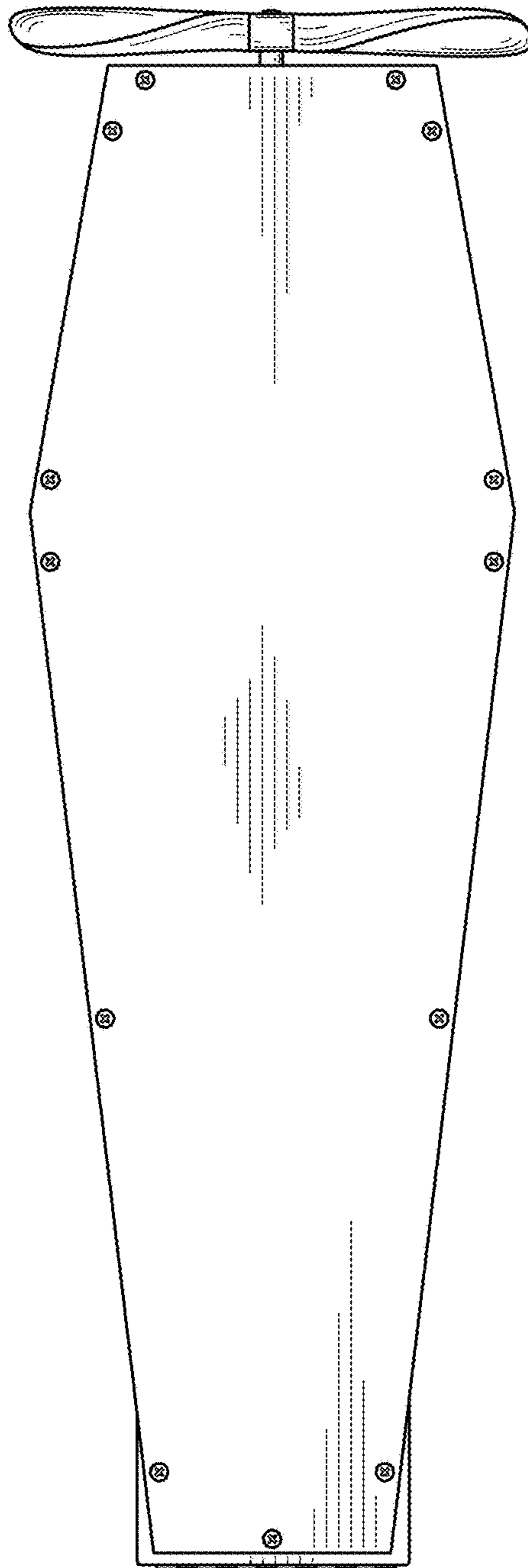


FIG. 16

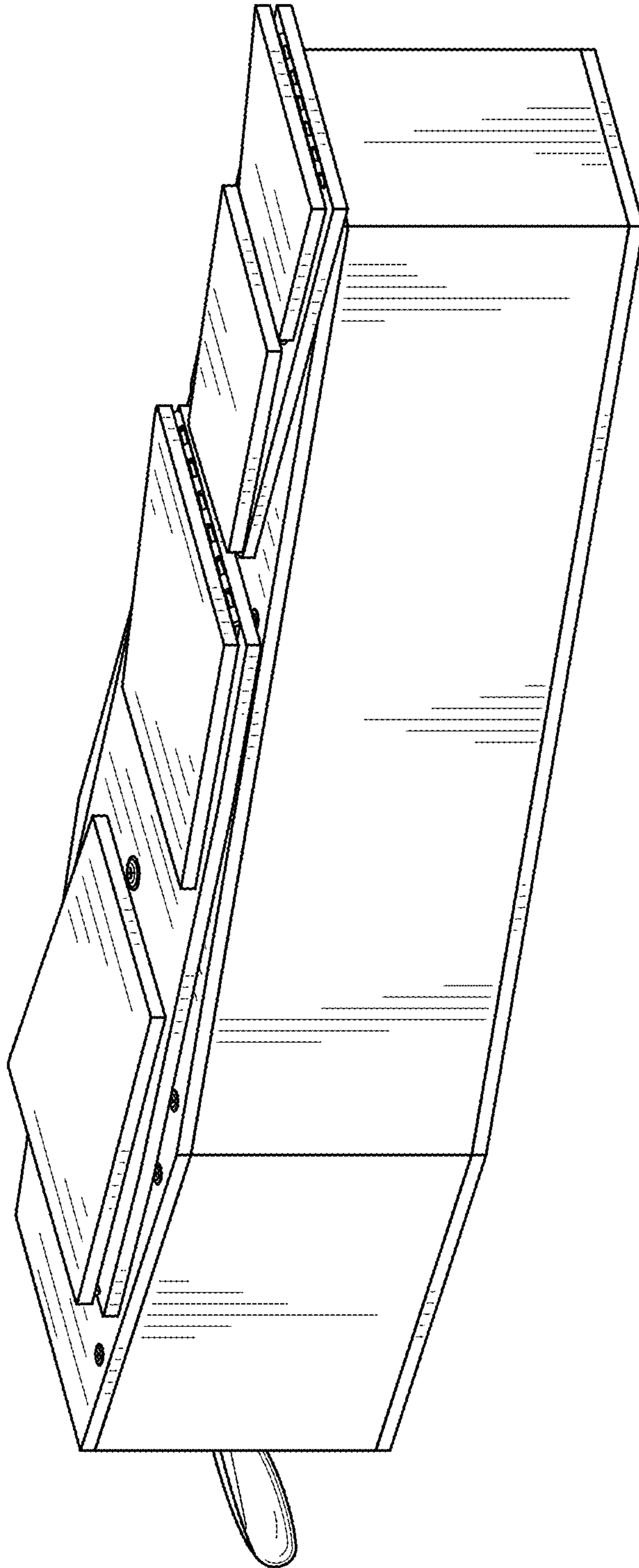


FIG. 17

