



US00D858026S

(12) **United States Design Patent**
Spronken

(10) **Patent No.:** **US D858,026 S**

(45) **Date of Patent:** **** Aug. 27, 2019**

(54) **UNIVERSAL SPREADER BAR**

(71) Applicant: **John Rene Spronken**, Calgary (CA)

(72) Inventor: **John Rene Spronken**, Calgary (CA)

(**) Term: **15 Years**

(21) Appl. No.: **29/614,805**

(22) Filed: **Aug. 23, 2017**

(30) **Foreign Application Priority Data**

Jun. 28, 2017 (CA) 175650

(51) **LOC (12) Cl.** **12-05**

(52) **U.S. Cl.**
USPC **D34/35**

(58) **Field of Classification Search**
USPC D34/28, 35
CPC B66C 1/04; B66C 1/22; B66C 1/46; E04B
2001/1957; E04B 1/2403
See application file for complete search history.

(56) **References Cited**

U.S. PATENT DOCUMENTS

- 966,562 A * 8/1910 Knoerzer A45F 3/15
224/266
- 1,472,081 A * 10/1923 Mercer B66C 1/22
294/103.1
- 1,862,312 A * 6/1932 Kositzky B66C 1/125
294/75
- D202,718 S * 11/1965 Kore et al. D25/124
- 3,527,493 A * 9/1970 Phares B66C 1/04
294/65.5
- 3,584,909 A * 6/1971 Behnke B66C 1/04
294/65.5
- D264,934 S * 6/1982 Brooks D34/35
- D265,173 S * 6/1982 Brooks D34/35
- 6,412,649 B1 7/2002 Khachaturian
- D503,023 S * 3/2005 Holub D34/28
- D506,589 S * 6/2005 Harrah D34/35
- D547,524 S * 7/2007 Hansort D34/35

- 8,382,175 B2 2/2013 DiMartino
- D790,797 S * 6/2017 Buell D34/35
- D810,382 S * 2/2018 Hiroshima D34/35
- D813,140 S * 3/2018 Stent D12/223
- D816,935 S * 5/2018 Maness D34/28
- D816,936 S * 5/2018 Maness D34/28
- D833,702 S * 11/2018 Hogan D34/35

(Continued)

FOREIGN PATENT DOCUMENTS

- CA 2783260 A1 10/2015
- CA 2872577 A1 5/2016

OTHER PUBLICATIONS

Sparta Designing Solutions article, Publication date unknown, copyright notation on web page is 2013, <http://www.spartaengineering.com/need-spreader-bar/>.

Primary Examiner — Cynthia Ramirez
(74) *Attorney, Agent, or Firm* — Reichel Stohry LLP;
Mark C. Reichel; Natalie J. Dean

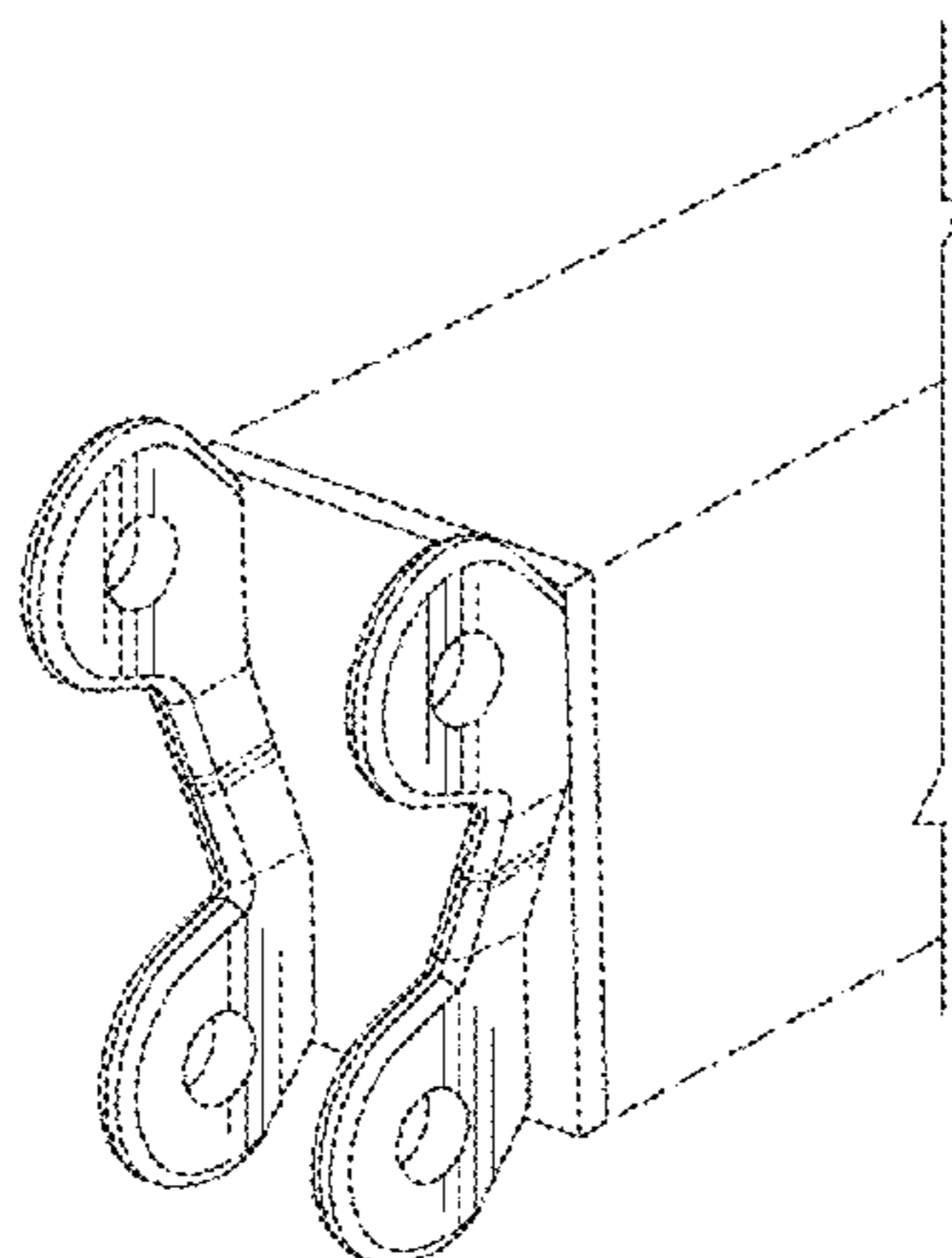
(57) **CLAIM**

The ornamental design for a universal spreader bar, as shown and described.

DESCRIPTION

FIG. 1 is a perspective view of a universal spreader bar showing my new design;
FIG. 2 is a top plan view thereof;
FIG. 3 is a bottom plan view thereof;
FIG. 4 is a side view thereof;
FIG. 5 is the other side view thereof;
FIG. 6 is a front view thereof; and,
FIG. 7 is another perspective view thereof in condition of use.
The broken lines illustrate the environment of the claimed design and forms no part thereof.

1 Claim, 4 Drawing Sheets



(56)

References Cited

U.S. PATENT DOCUMENTS

2004/0217610 A1* 11/2004 Hollman B66C 1/22
294/67.22
2005/0199567 A1 9/2005 Tardiff
2009/0058117 A1* 3/2009 Di Martino B66C 1/22
294/81.5
2011/0260479 A1* 10/2011 Fillol Vidal B65D 88/1668
294/68.3
2017/0158468 A1* 6/2017 Nooren B66C 1/22
2019/0002246 A1* 1/2019 Spronken B66C 1/16

* cited by examiner

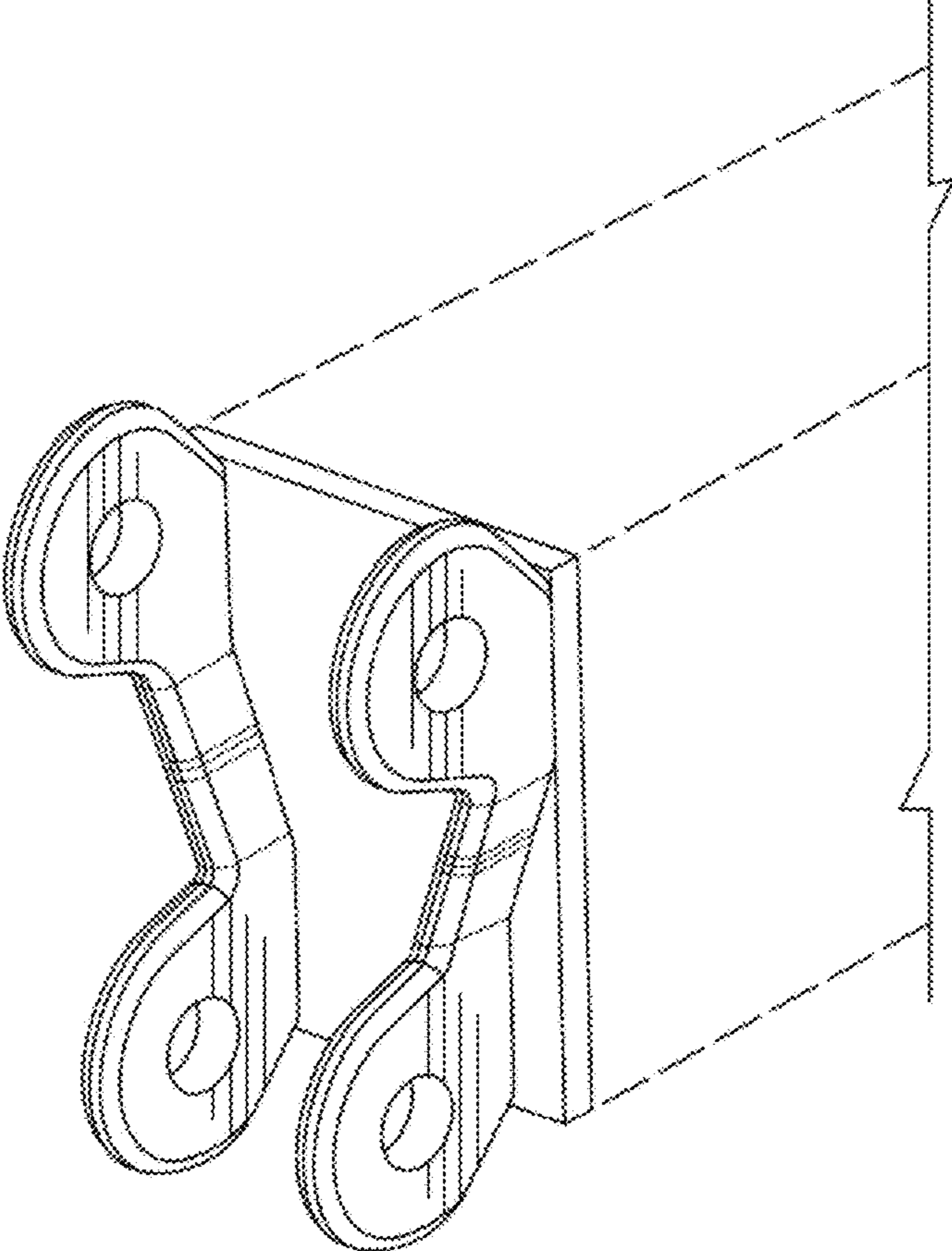


FIG. 1

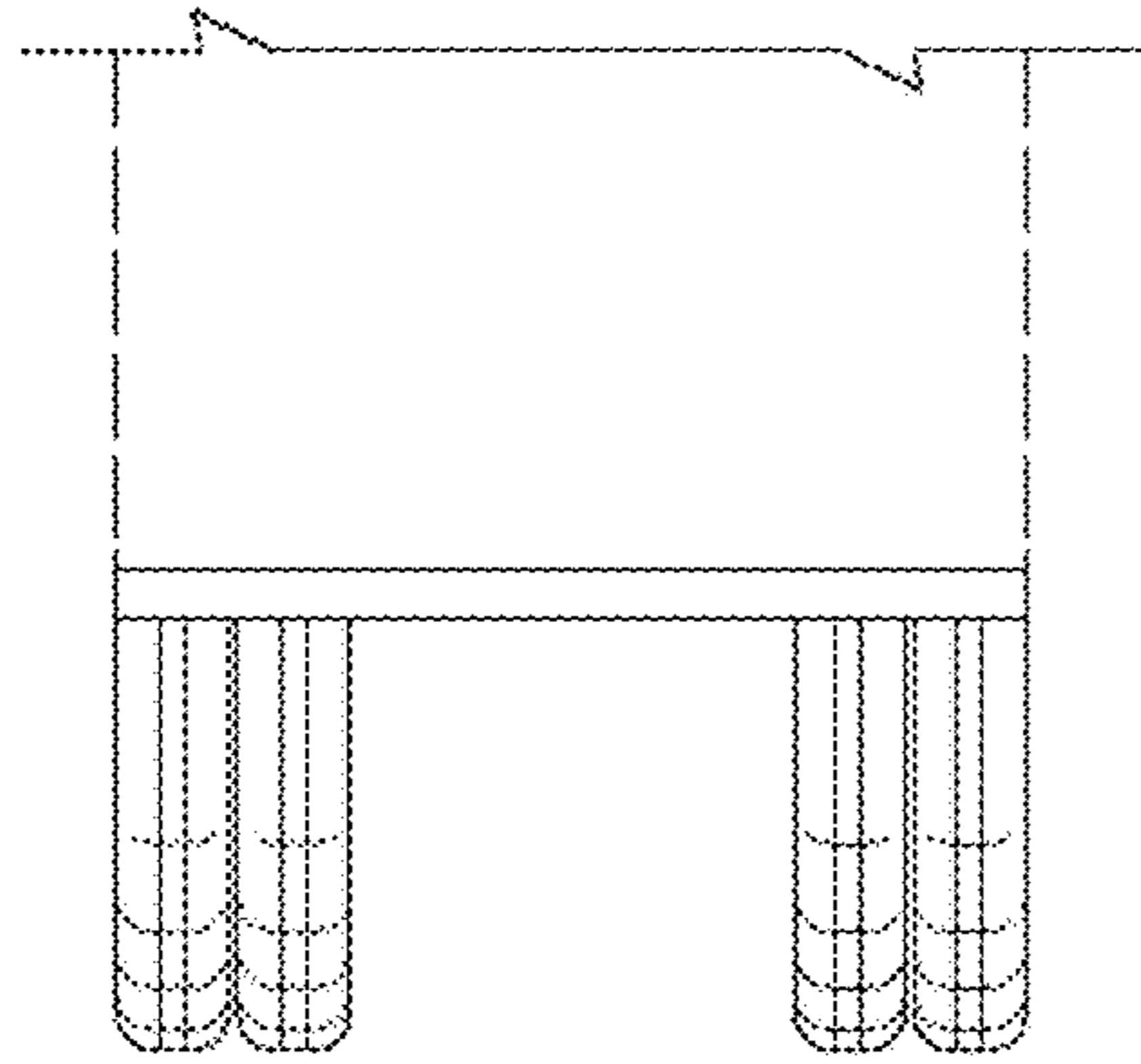


FIG. 2

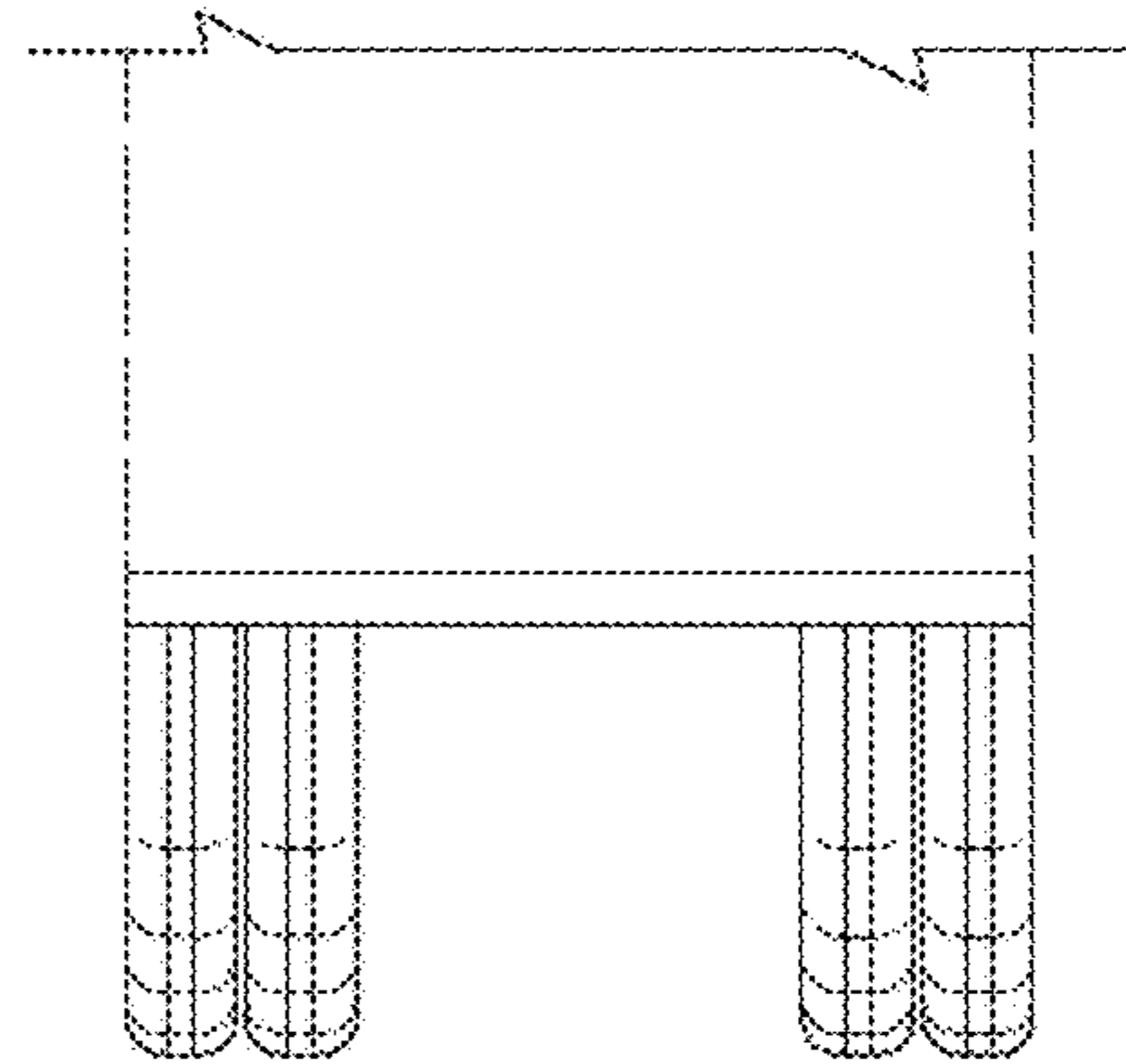


FIG. 3

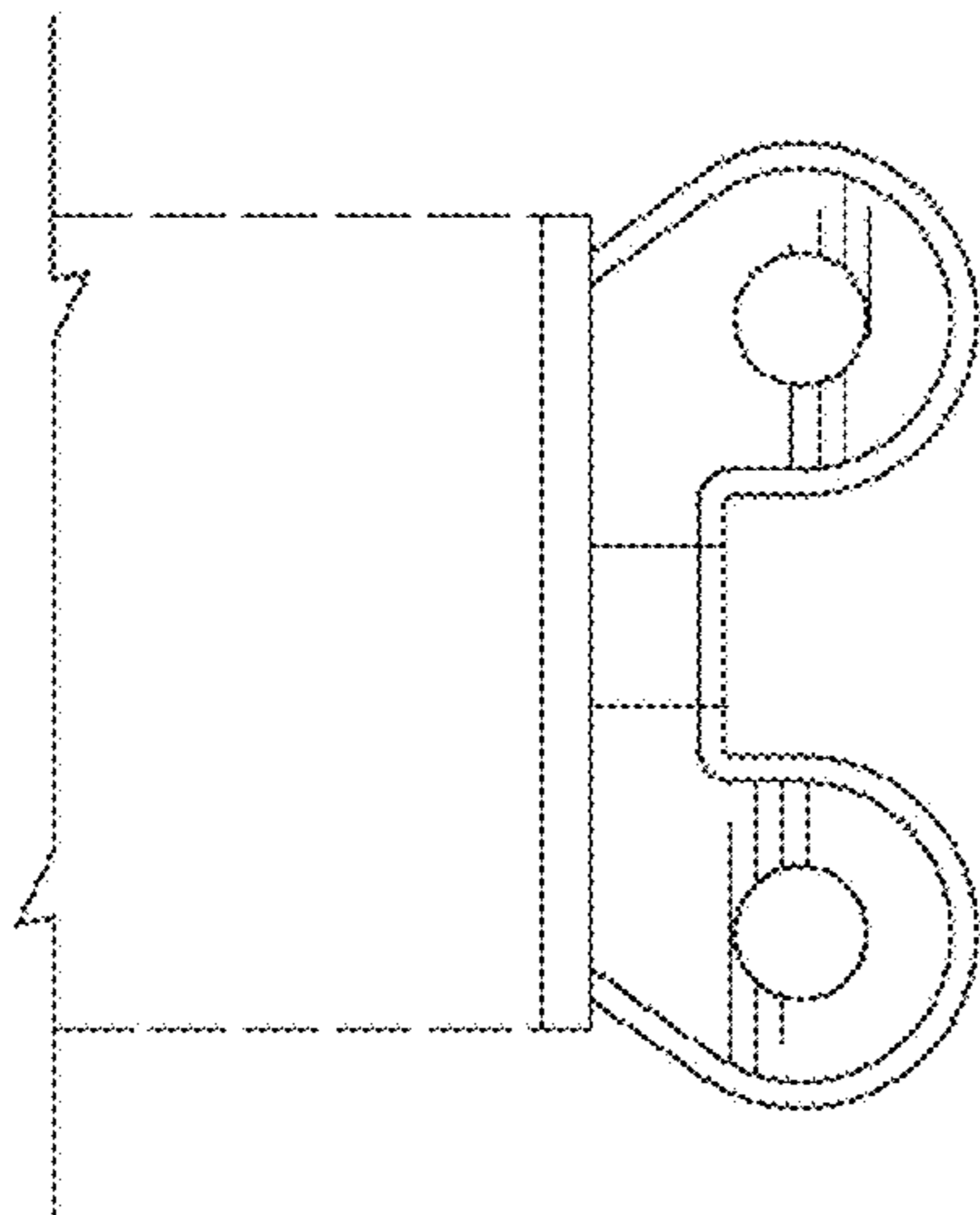


FIG. 4

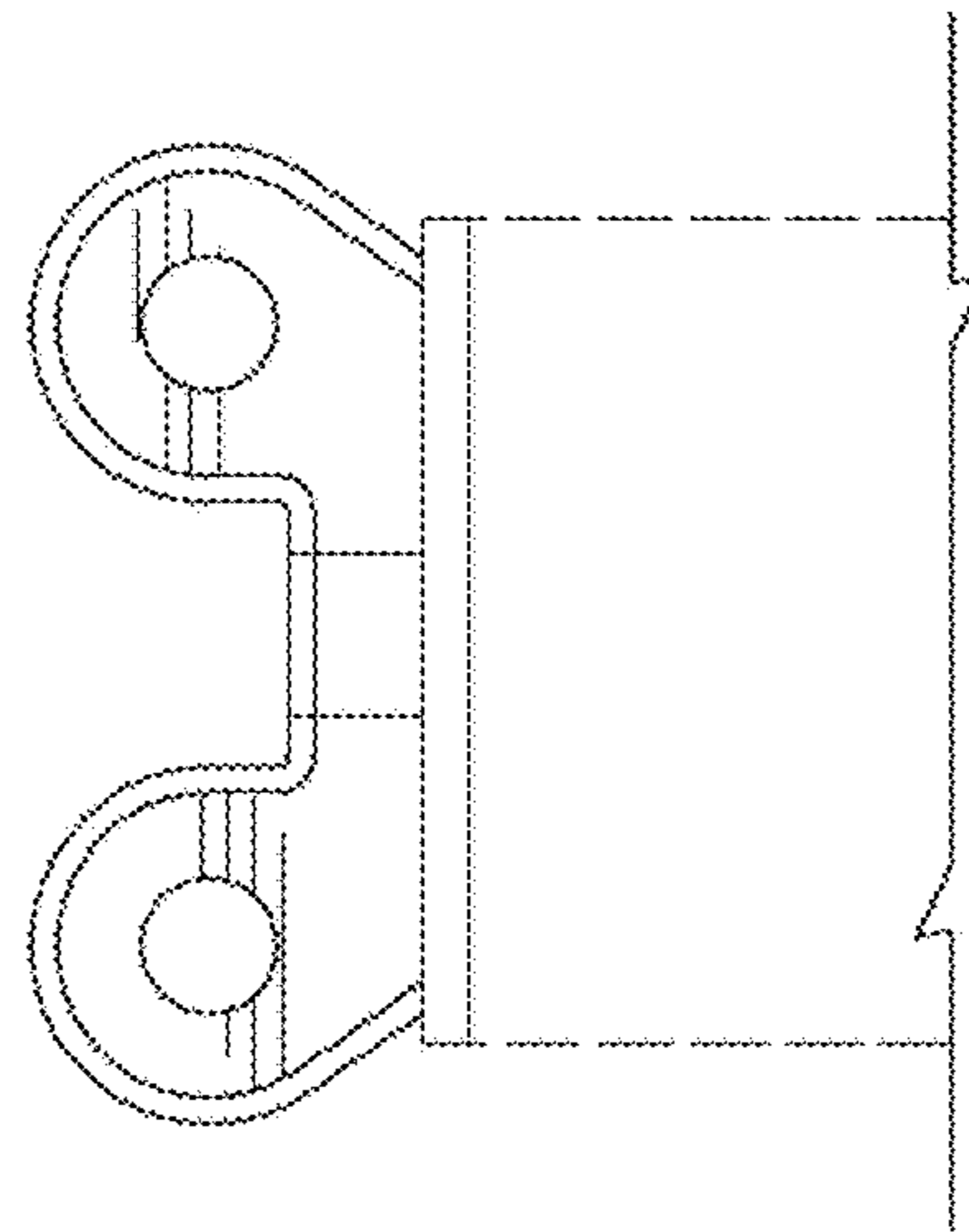


FIG. 5

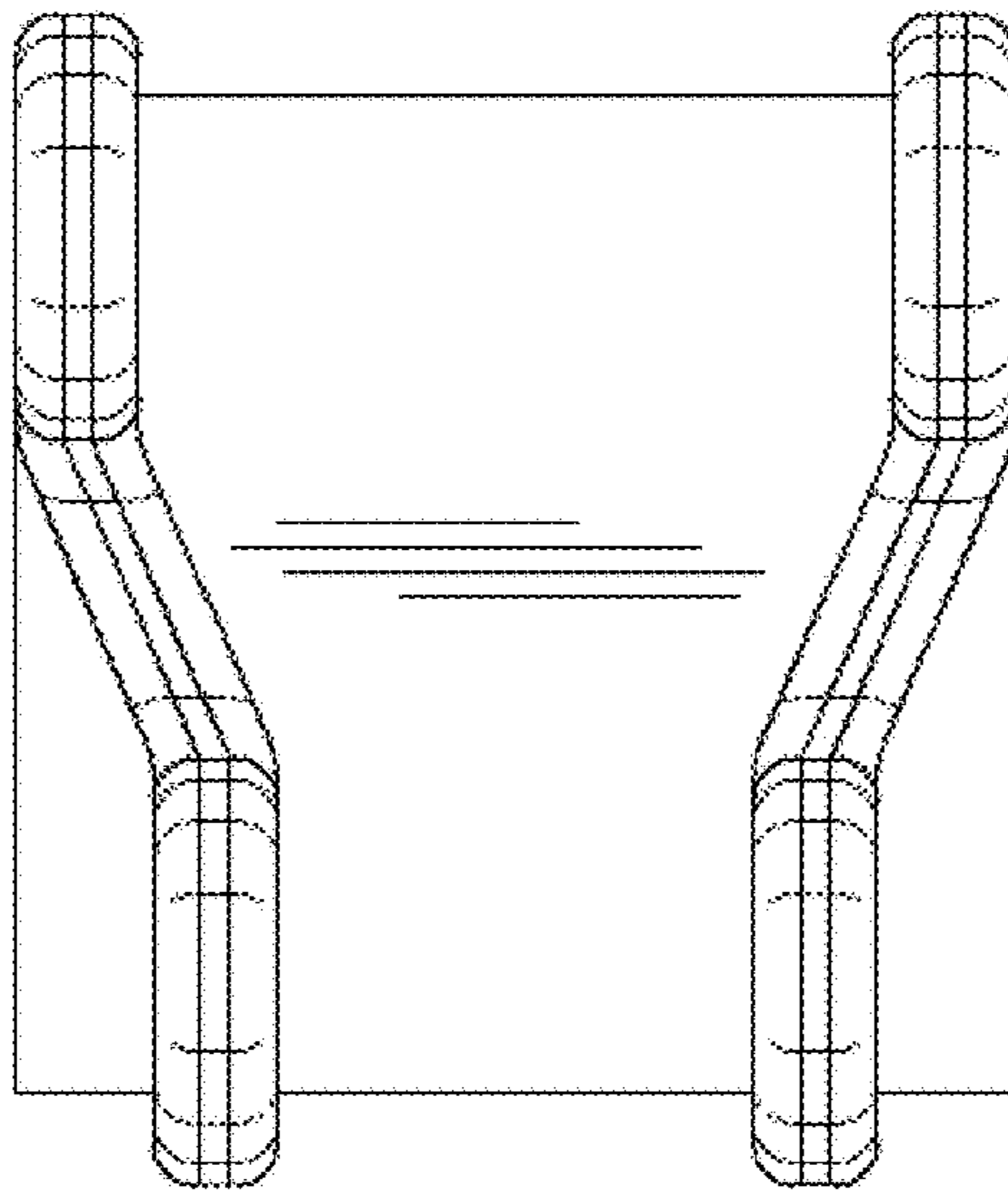


FIG. 6

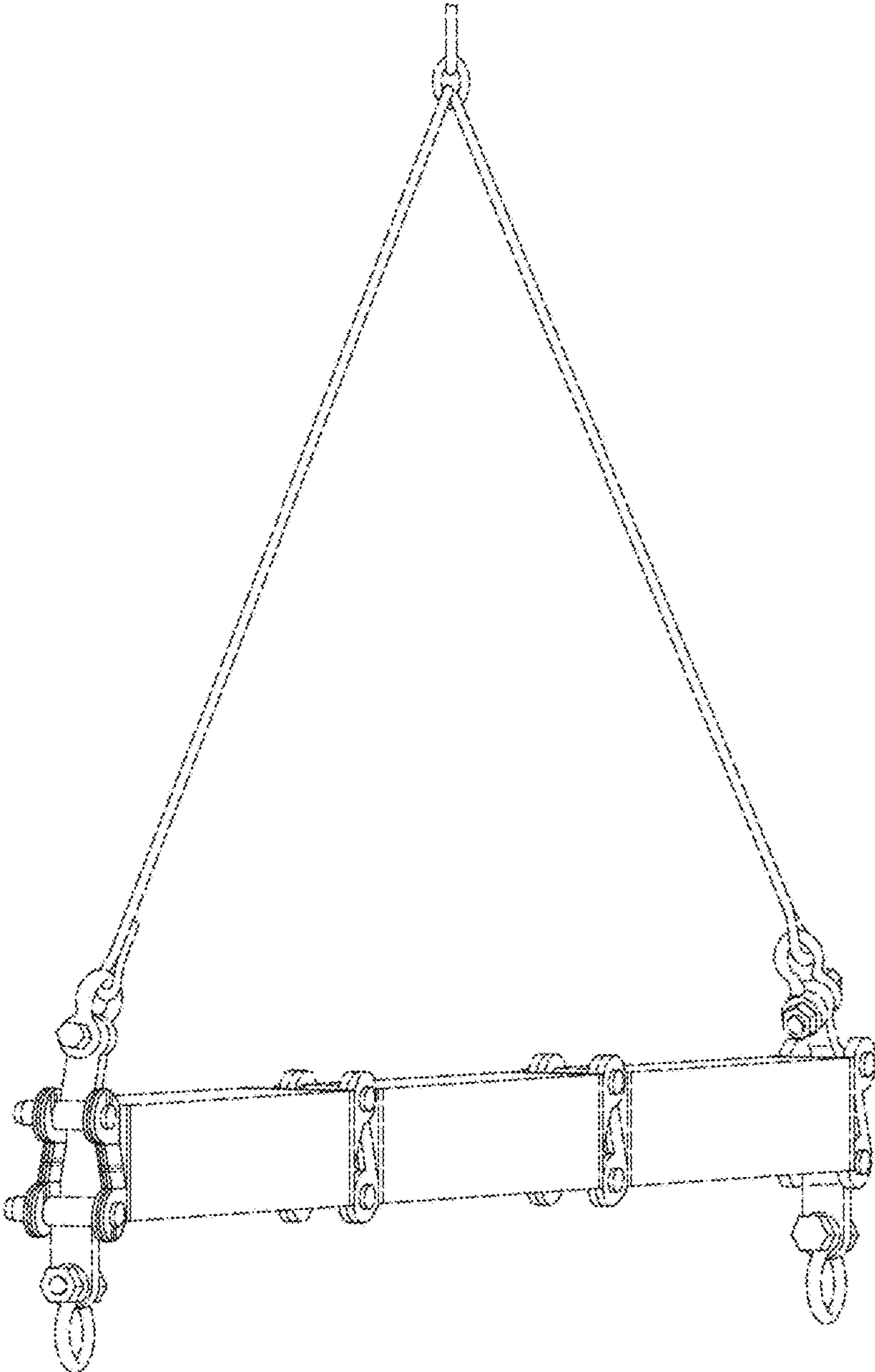


FIG. 7