



US00D858025S

(12) **United States Design Patent**  
**Beamish**

(10) **Patent No.:** **US D858,025 S**

(45) **Date of Patent:** **\*\* Aug. 27, 2019**

- (54) **CONTROLLER CRADLE**
- (71) Applicant: **JCB ACCESS LIMITED**, Uttoxeter (GB)
- (72) Inventor: **Tom Beamish**, Uttoxeter (GB)
- (73) Assignee: **JCB ACCESS LIMITED**, Uttoxeter (GB)
- (\*\*) Term: **15 Years**
- (21) Appl. No.: **29/610,583**
- (22) Filed: **Jul. 13, 2017**
- (51) **LOC (12) Cl.** ..... **12-05**
- (52) **U.S. Cl.**  
USPC ..... **D34/35**
- (58) **Field of Classification Search**  
USPC ..... D34/34, 35; 108/42, 152; D25/68;  
248/238, 210, 302, 211, 215, 240.1, 305,  
248/214  
CPC ..... B66F 11/042; B66F 17/006; B66F 1/00;  
B66F 7/065; B66F 7/06691; B25H 3/021;  
B25H 3/06; B65D 25/24; B65D 25/22;  
B65D 25/06; A45F 5/00; A47B 96/027  
See application file for complete search history.

- (56) **References Cited**  
U.S. PATENT DOCUMENTS  
4,480,810 A \* 11/1984 Hall ..... E06C 7/14  
182/129  
6,095,057 A \* 8/2000 Corban ..... B25H 3/06  
108/152  
6,467,744 B1 \* 10/2002 Calin ..... B25H 5/00  
248/214  
D484,251 S \* 12/2003 Pruett ..... D25/68

- 7,175,031 B2 \* 2/2007 Matthews ..... B25H 3/04  
211/70.6
- 8,038,110 B2 \* 10/2011 Talbott ..... B25H 3/021  
211/184
- 8,448,959 B1 \* 5/2013 Pohot ..... B25H 3/02  
280/47.131
- 9,051,959 B2 \* 6/2015 Davis ..... F16B 45/00
- 2010/0193290 A1 \* 8/2010 Cui ..... B66F 11/042  
182/69.5
- 2012/0186908 A1 \* 7/2012 Crook ..... B66F 11/042  
182/69.5
- 2017/0217745 A1 \* 8/2017 Artoni ..... B62D 21/00
- 2018/0022591 A1 \* 1/2018 Xu ..... B66F 9/07568  
182/69.5
- 2018/0162708 A1 \* 6/2018 Pithoud ..... B66F 11/042

\* cited by examiner

*Primary Examiner* — Cynthia Ramirez  
(74) *Attorney, Agent, or Firm* — Marshall, Gerstein & Borun LLP

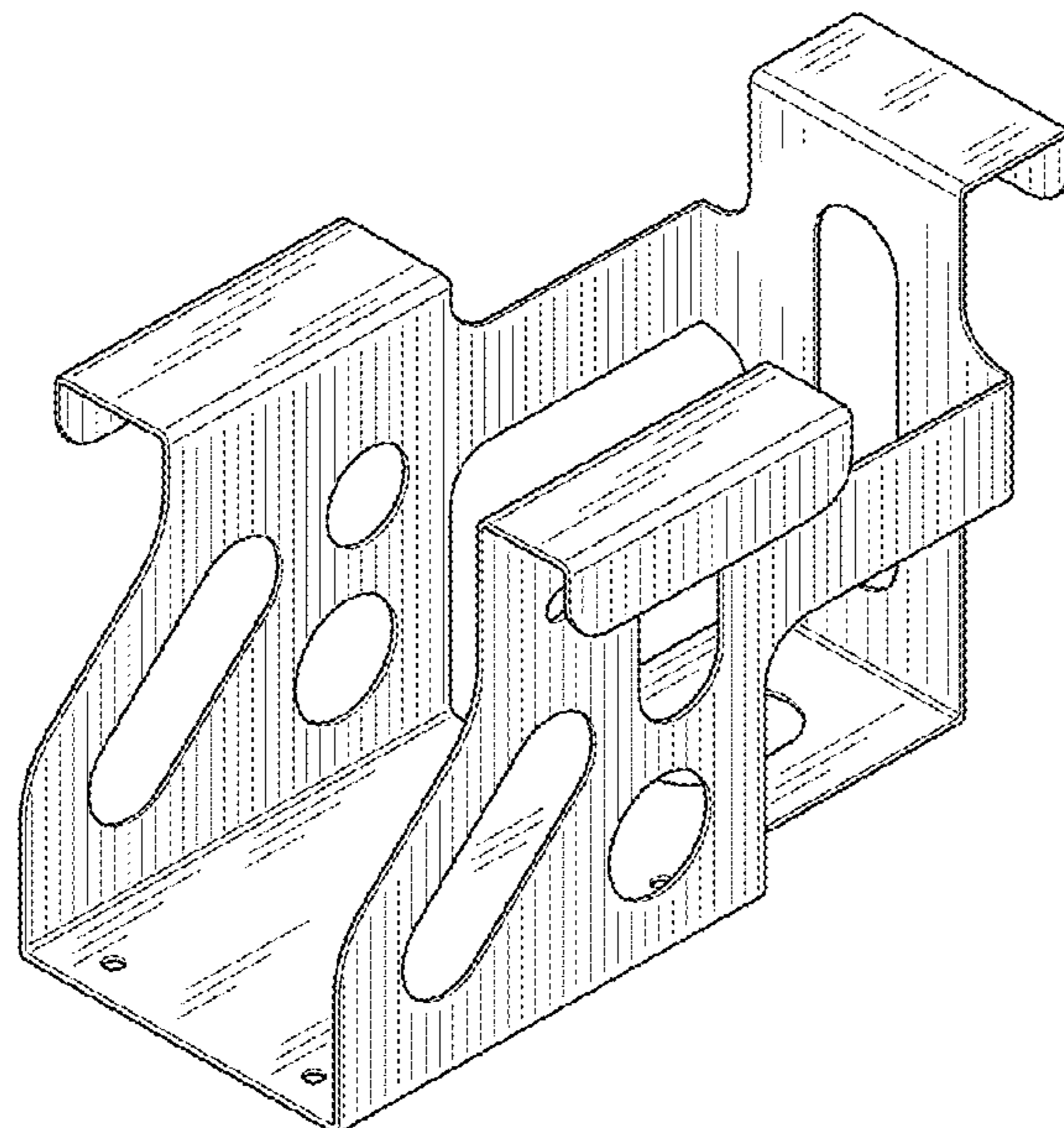
(57) **CLAIM**

The ornamental design for a controller cradle, as shown and described.

**DESCRIPTION**

FIG. 1 is a right-side, back, and top isometric view of a controller cradle, showing the new design.  
FIG. 2 is another right-side, back, and top isometric view of the controller cradle.  
FIG. 3 is a top plan view of the controller cradle.  
FIG. 4 is a right-side elevation of the controller cradle, the left side being a mirror image thereof.  
FIG. 5 is a front elevation of the controller cradle.  
FIG. 6 is a rear elevation of the controller cradle; and,  
FIG. 7 is a bottom plan view of the controller cradle.

**1 Claim, 5 Drawing Sheets**



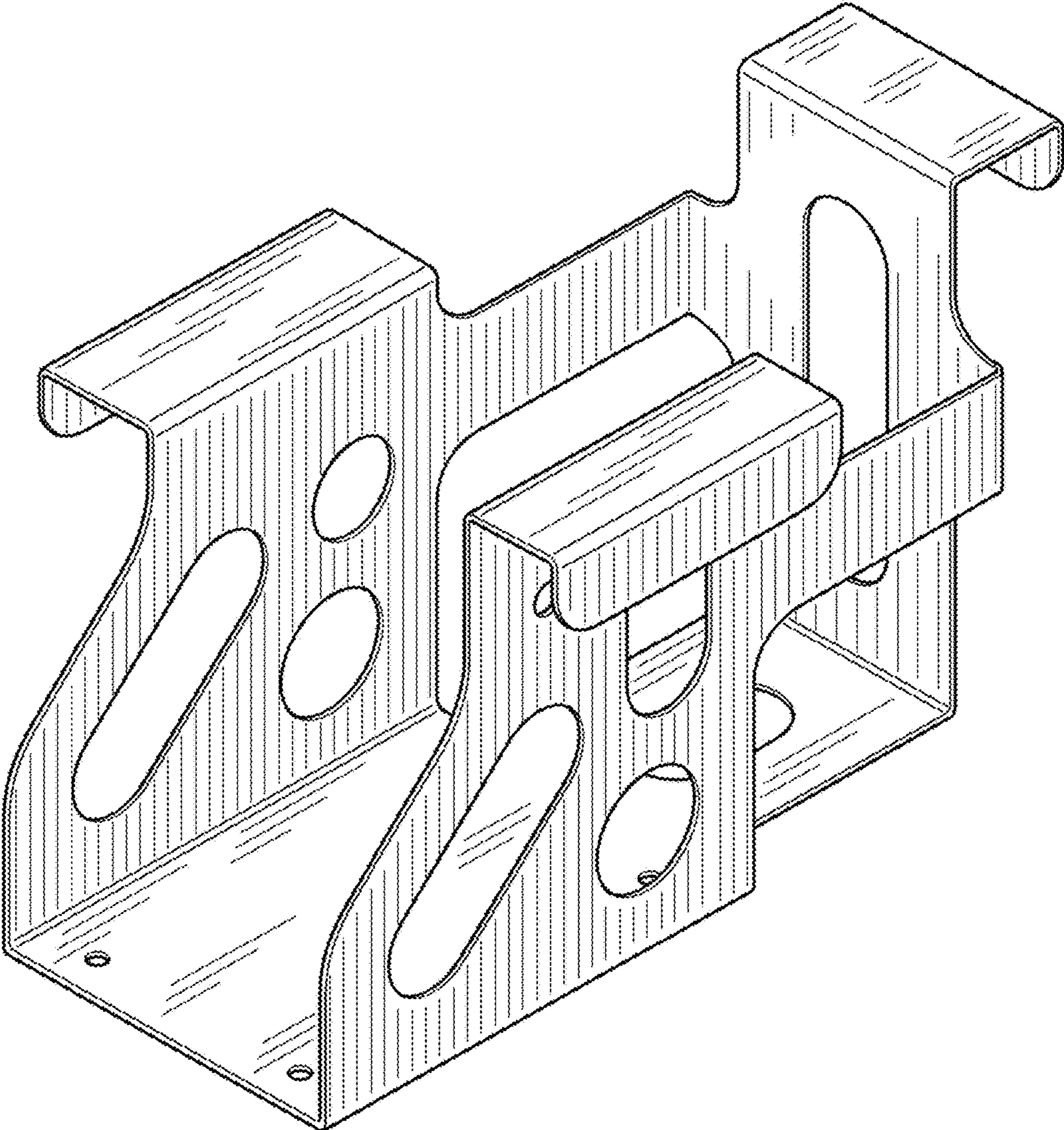


Fig. 1

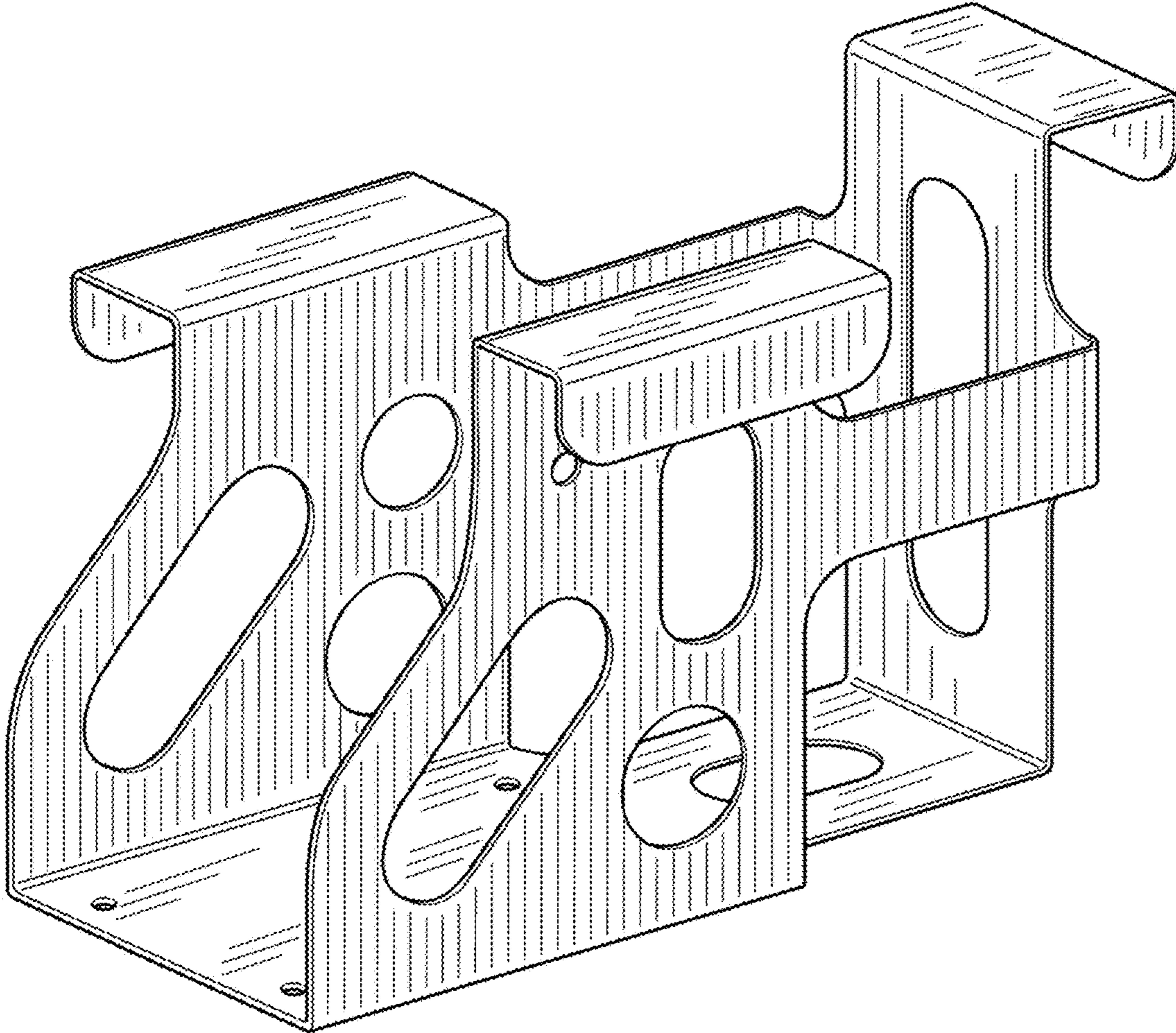


Fig. 2

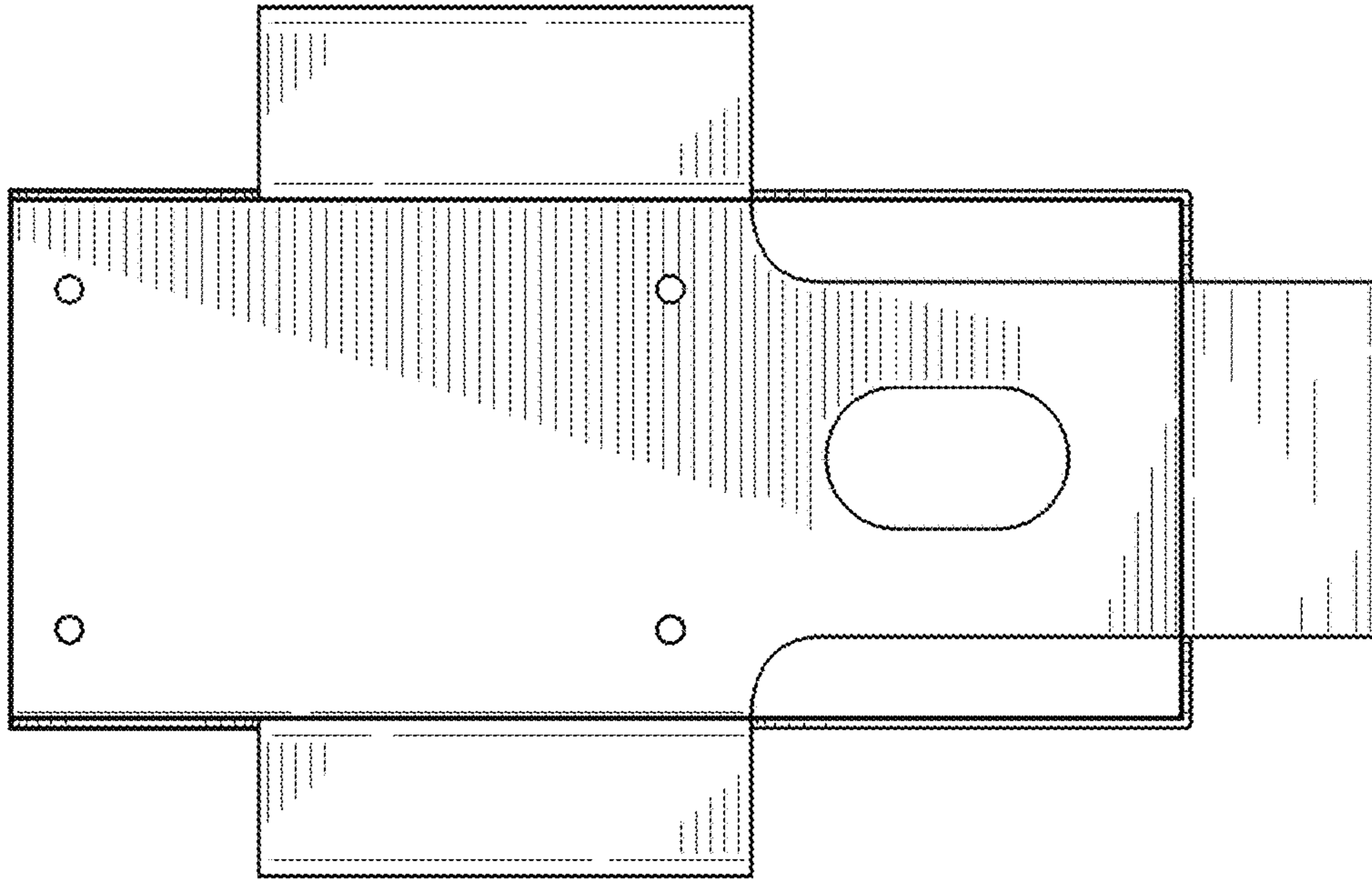


Fig. 3

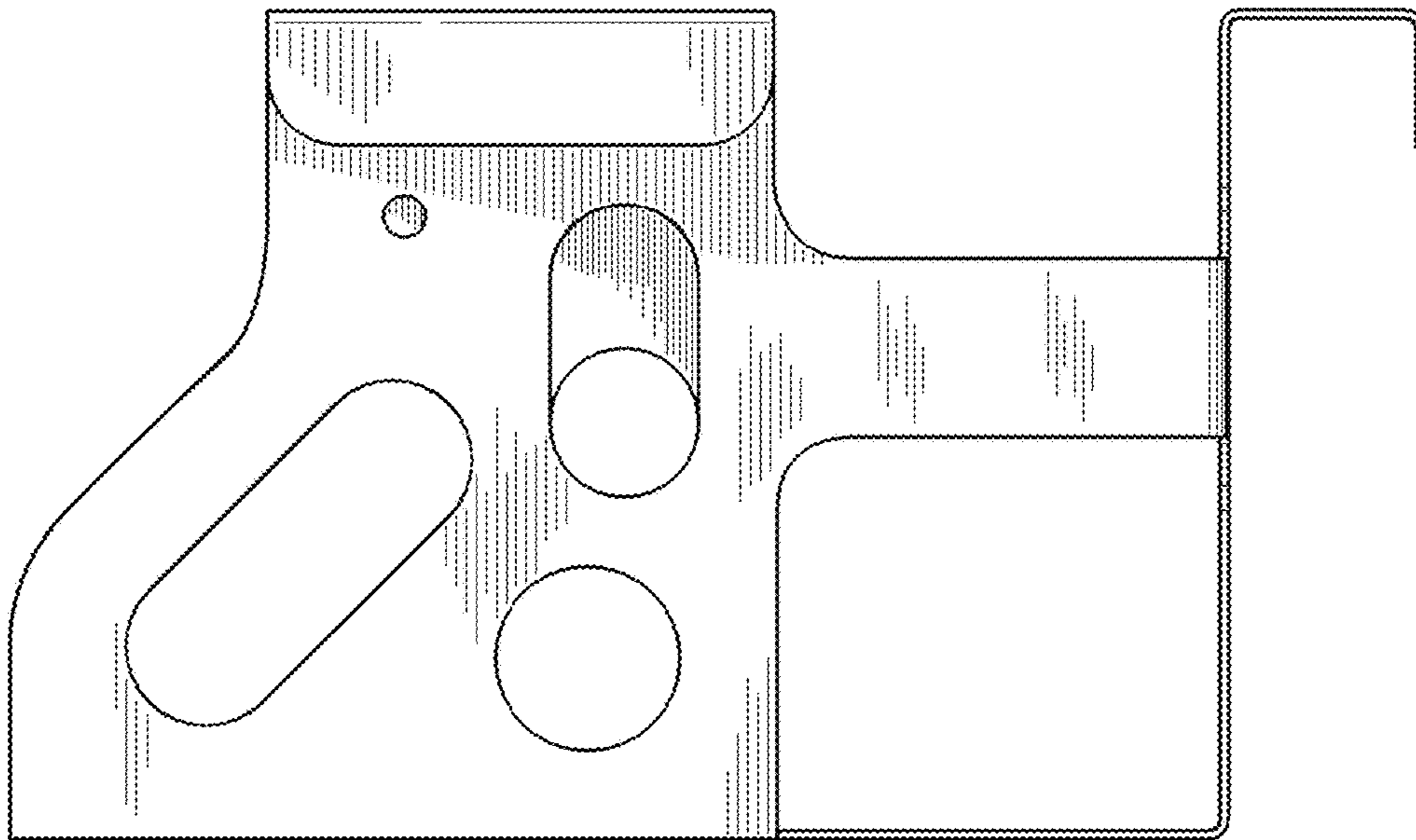


Fig. 4

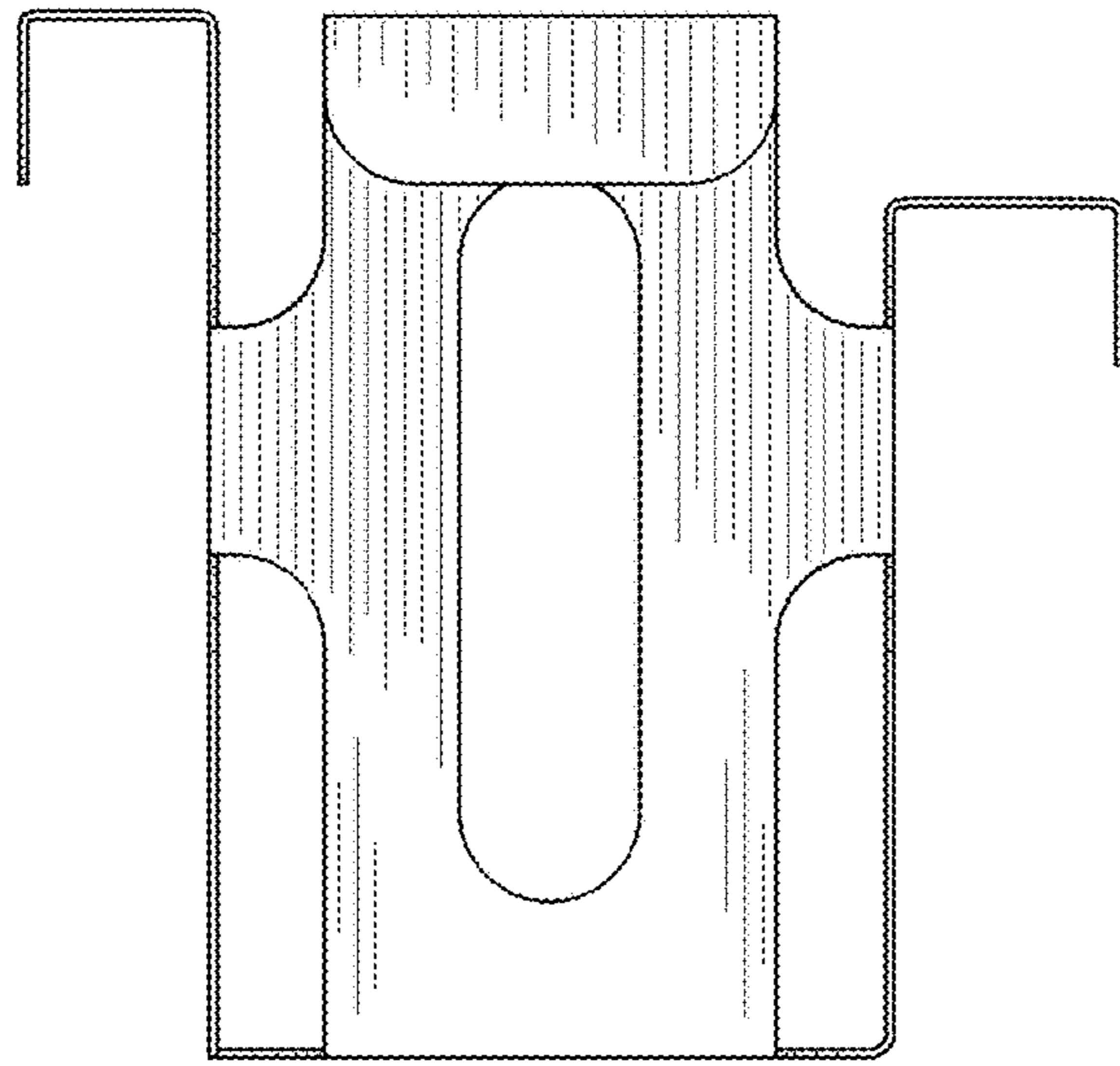


Fig. 5

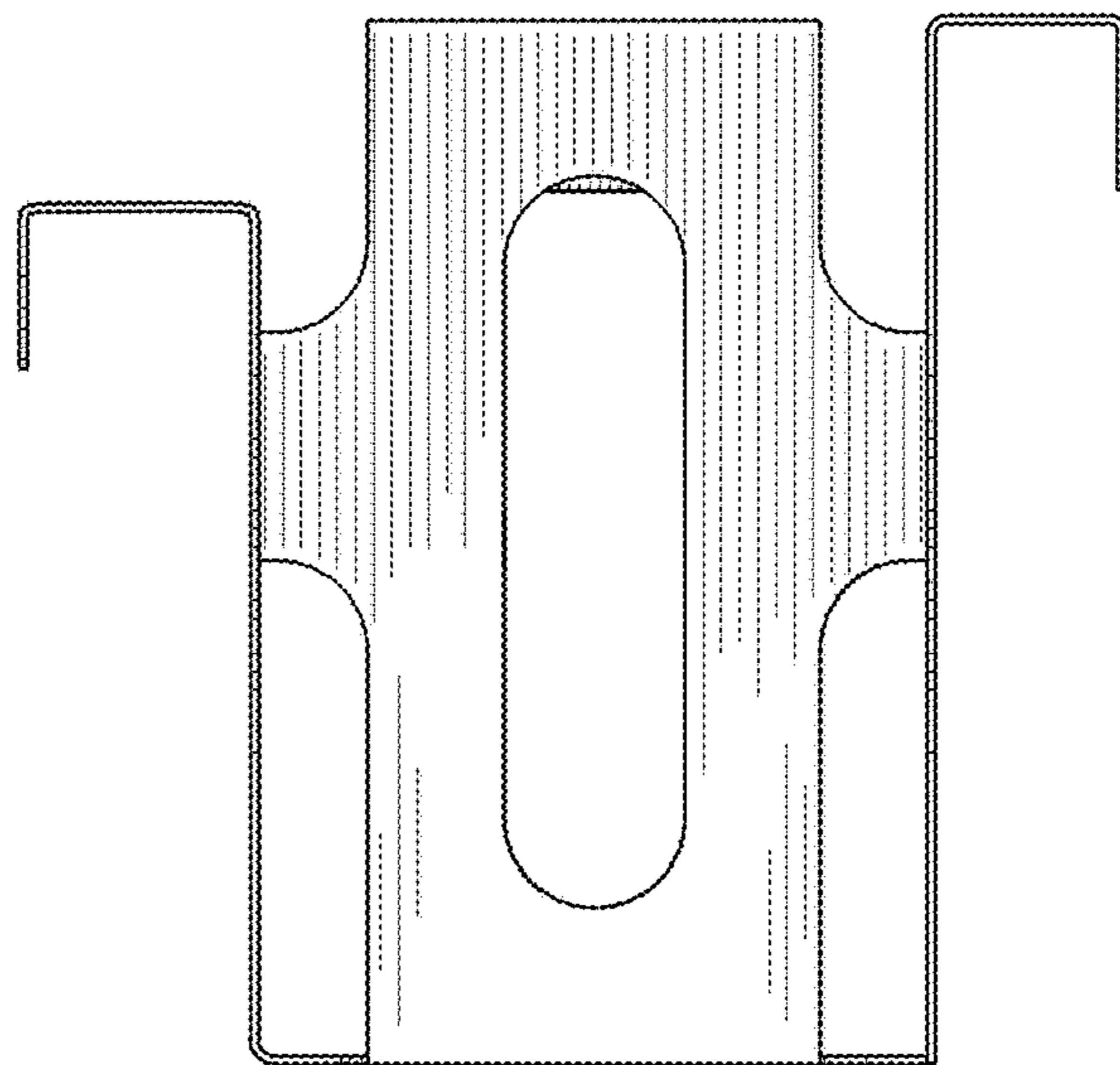


Fig. 6

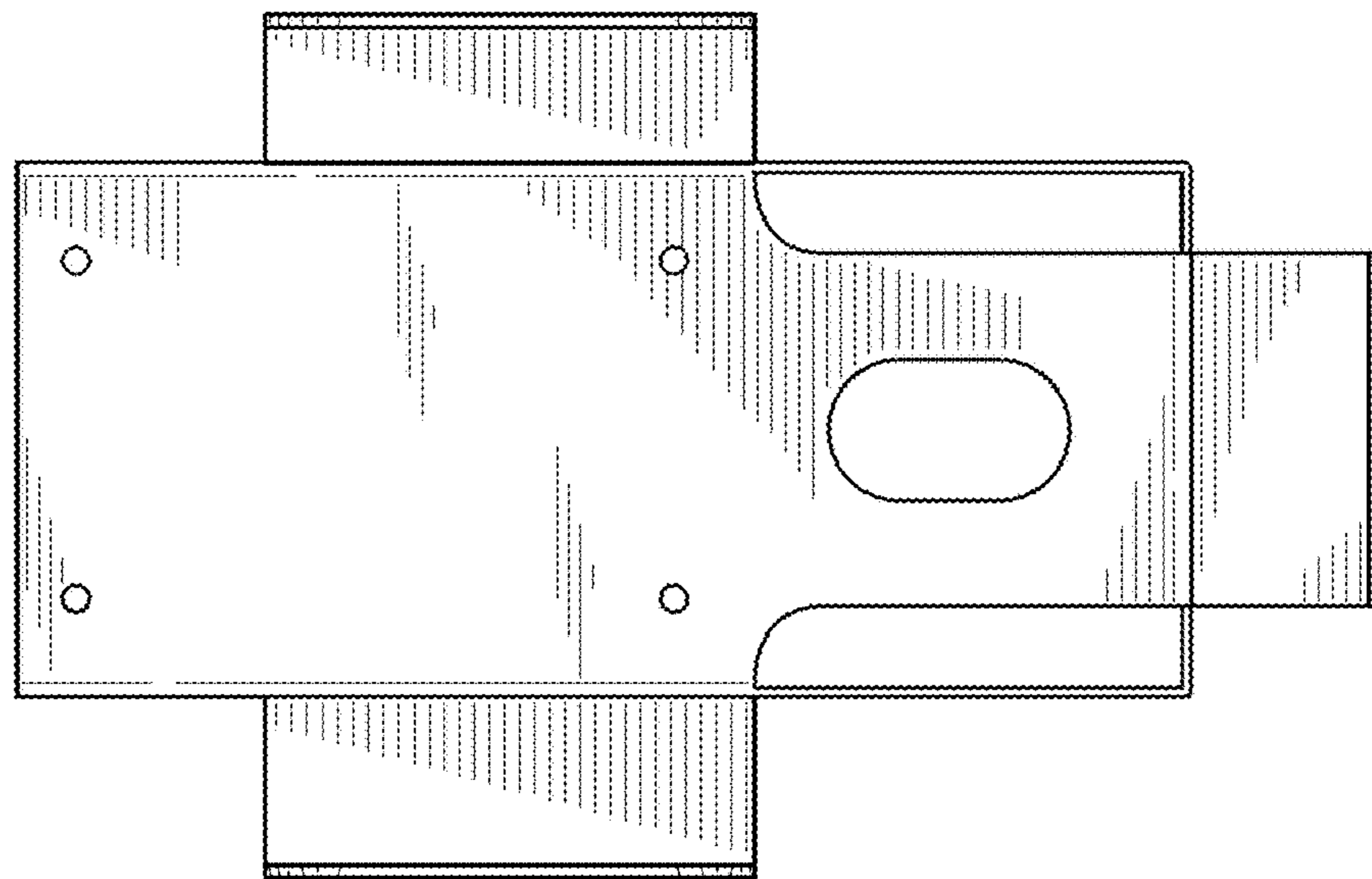


Fig. 7