



US00D858022S

(12) **United States Design Patent** (10) **Patent No.:** **US D858,022 S**
Wang (45) **Date of Patent:** **** Aug. 27, 2019**

(54) **IRONING BOARD**
(71) Applicant: **Wen-Tsan Wang**, Taipei (TW)
(72) Inventor: **Wen-Tsan Wang**, Taipei (TW)
(**) Term: **15 Years**
(21) Appl. No.: **29/597,016**
(22) Filed: **Mar. 14, 2017**
(51) **LOC (12) Cl.** **07-05**
(52) **U.S. Cl.**
USPC **D32/66**
(58) **Field of Classification Search**
USPC D32/66, 35; D6/429, 555, 572, 574, 567,
D6/691.4, 691.6; D21/526
CPC D06F 81/02; D06F 81/06; D06F 81/00;
D06F 81/04; F16B 2/22
See application file for complete search history.

(56) **References Cited**
U.S. PATENT DOCUMENTS
D426,040 S * 5/2000 Wicky D32/66
D427,402 S * 6/2000 Kellogg D32/66
D520,207 S * 5/2006 Gross D32/66
D543,672 S * 5/2007 Chu D32/66
D674,160 S * 1/2013 Cocksedge D32/66
D706,006 S * 5/2014 Sabounjian D32/66
2005/0172528 A1* 8/2005 Delery D06F 81/02
38/139
2010/0242317 A1* 9/2010 Trowsdale D06F 81/04
38/103

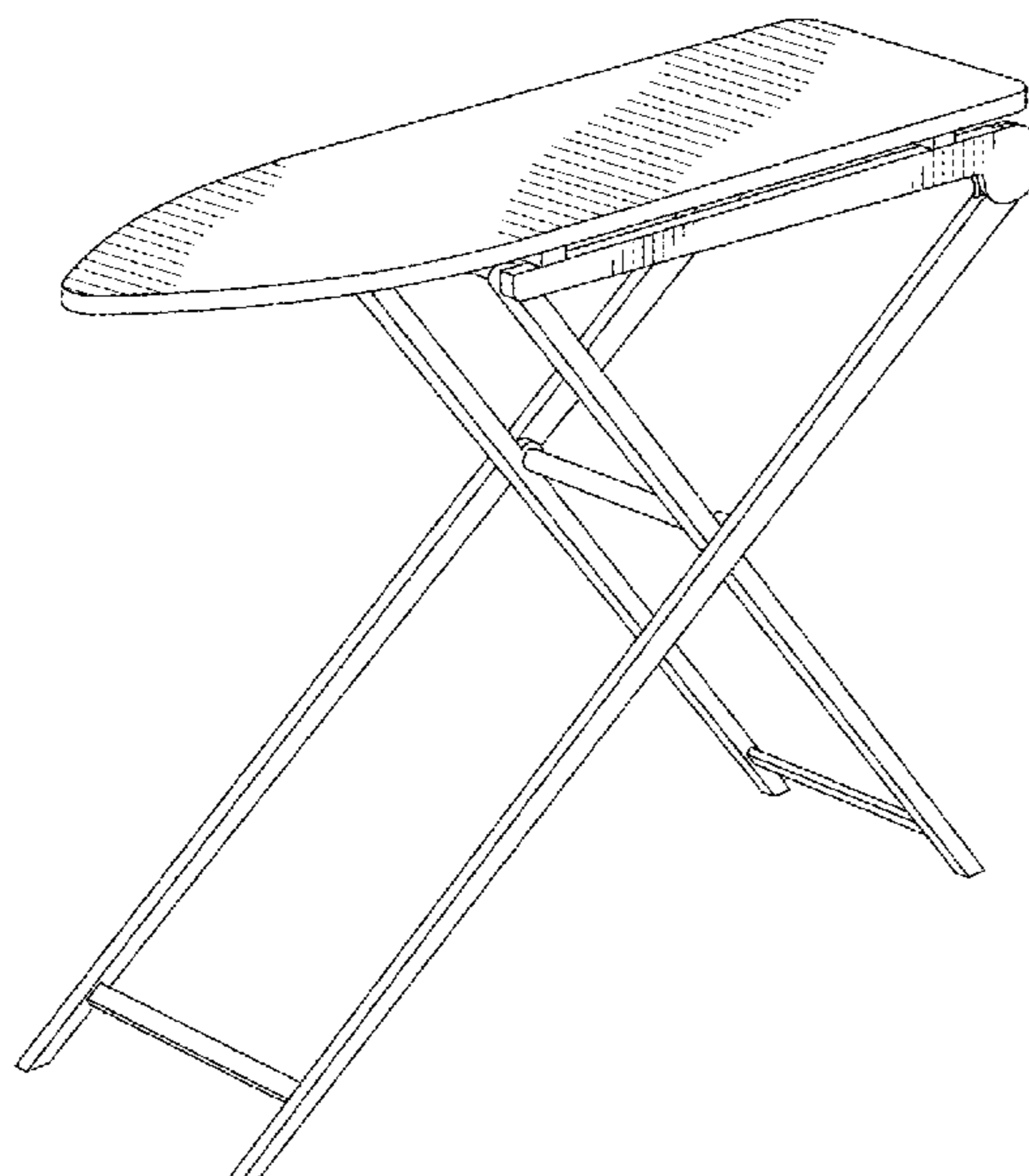
2015/0259850 A1* 9/2015 Hernandez D06F 81/04
38/137
2016/0355974 A1* 12/2016 Shojania D06F 81/06
2018/0153300 A1* 6/2018 Westcott F16B 2/22
* cited by examiner

Primary Examiner — Michelle E. Wilson
(74) *Attorney, Agent, or Firm* — Leong C. Lei

(57) **CLAIM**
The ornamental design for an ironing board, as shown and described.

DESCRIPTION
FIG. 1 is a front perspective view of an ironing board showing my new design;
FIG. 2 is a front elevational view thereof;
FIG. 3 is a rear elevational view thereof;
FIG. 4 is a left elevational view thereof;
FIG. 5 is a right elevational view thereof;
FIG. 6 is a top plan view thereof; and
FIG. 7 is a bottom plan view thereof;
FIG. 8 is another perspective view thereof, showing the status while in use;
FIG. 9 is another perspective view thereof, showing the status while in use;
FIG. 10 is another perspective view thereof, showing the status while in use; and,
FIG. 11 is another perspective view thereof, showing the same in folding position.

1 Claim, 8 Drawing Sheets



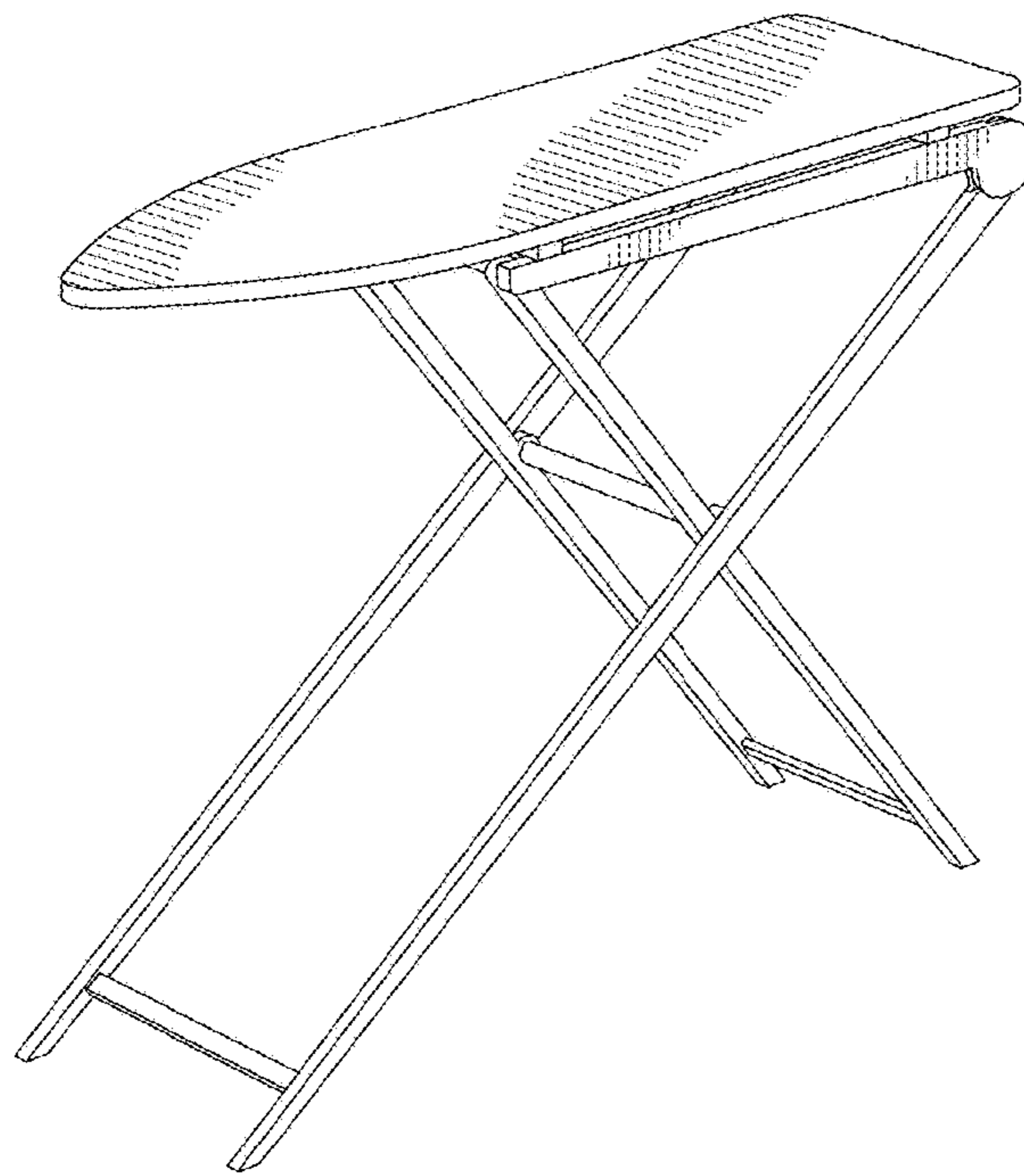


FIG. 1

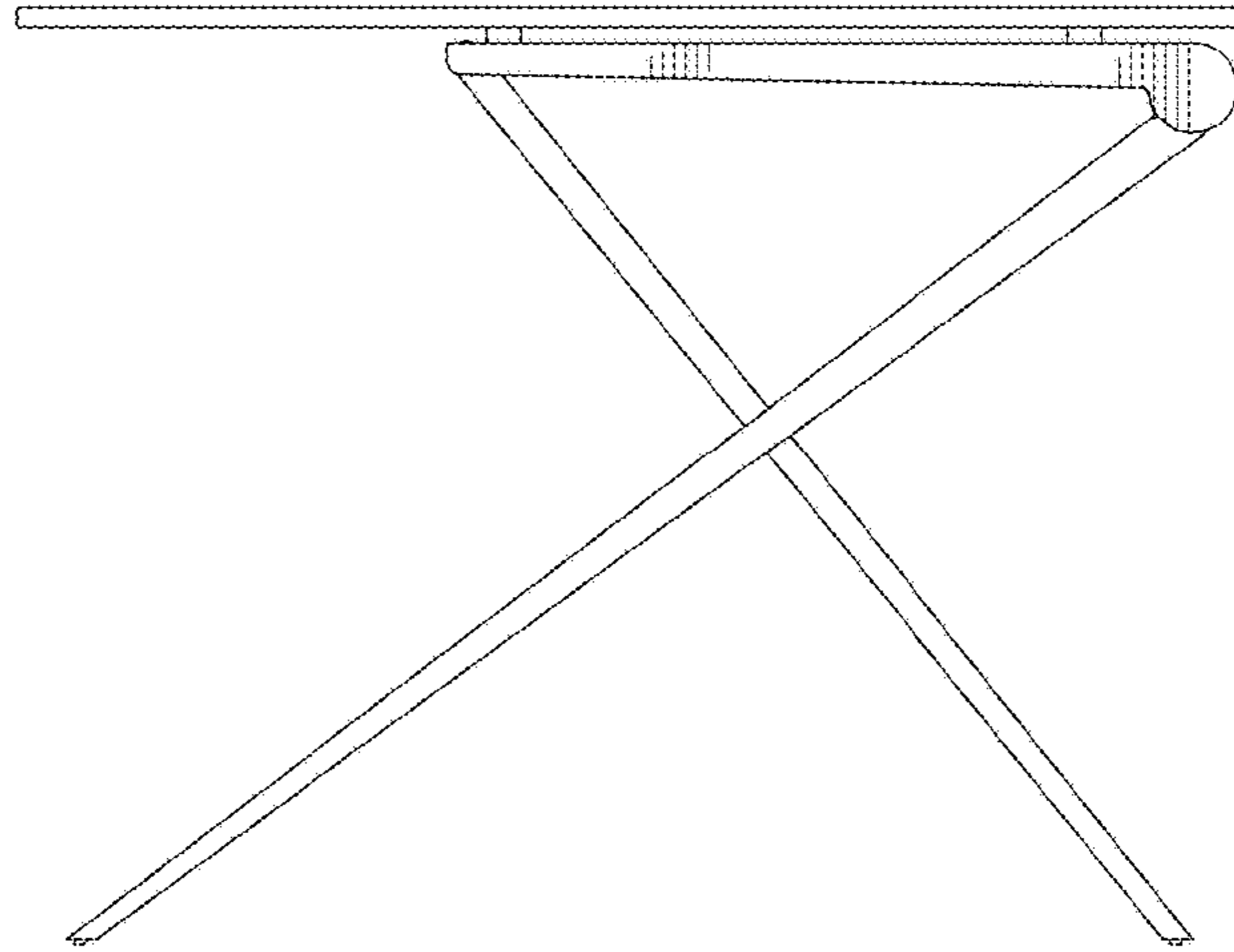


FIG. 2

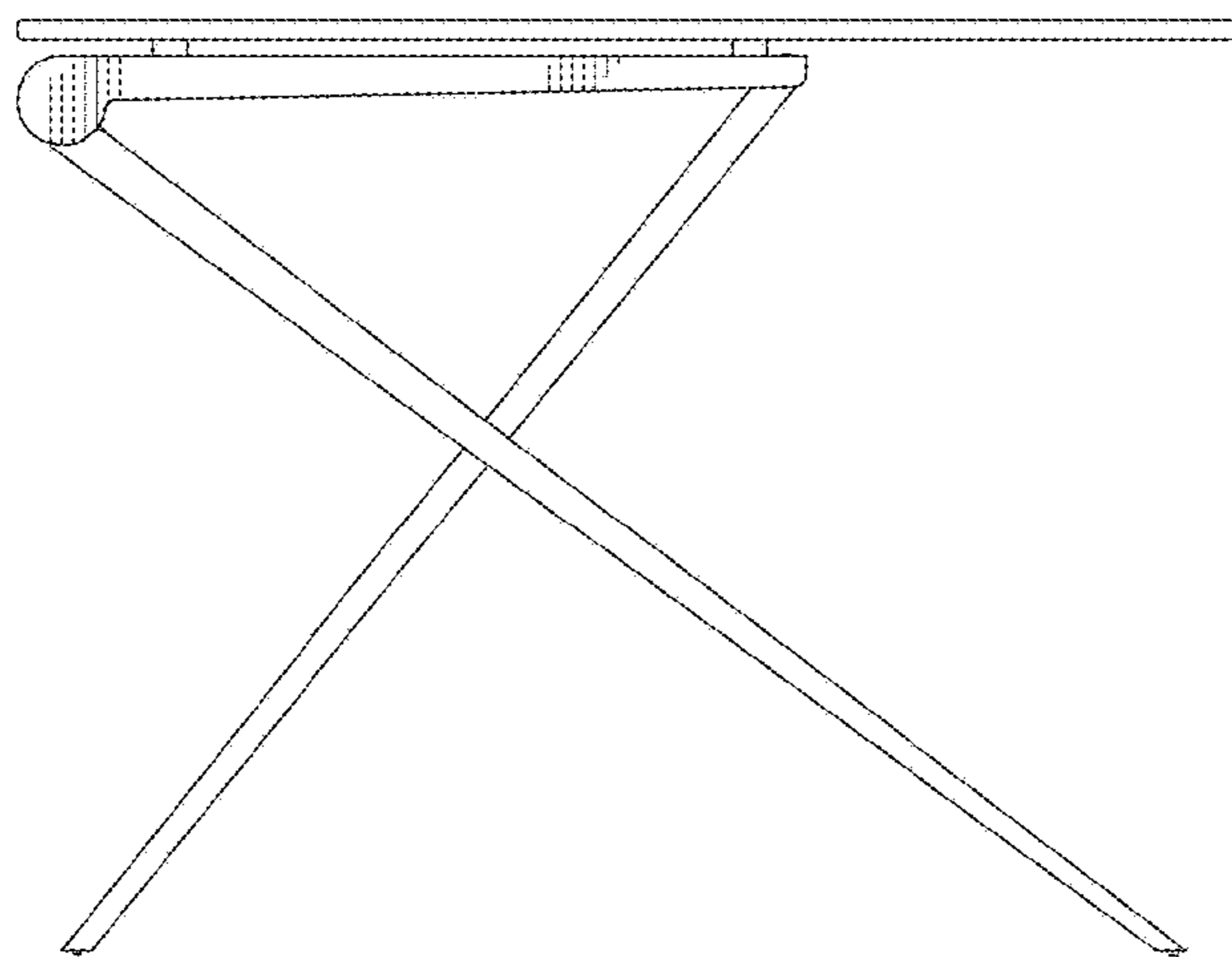


FIG. 3

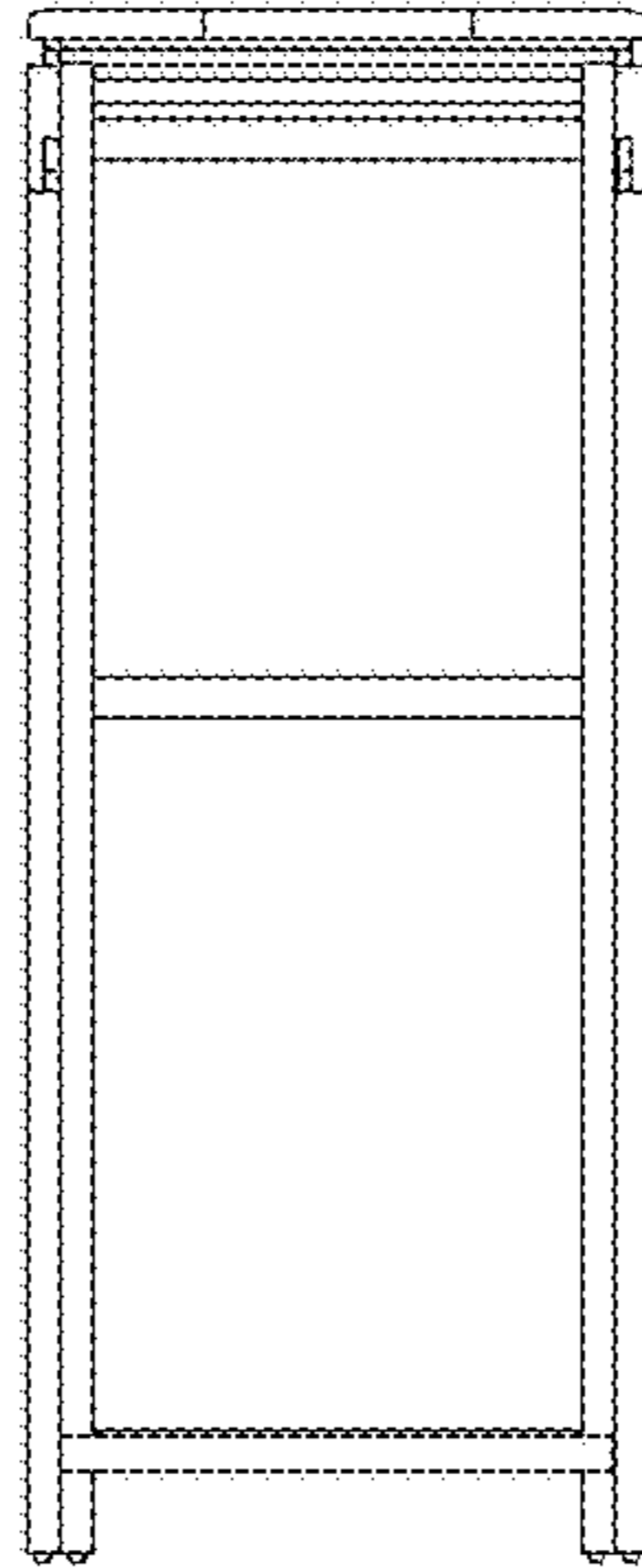


FIG. 4

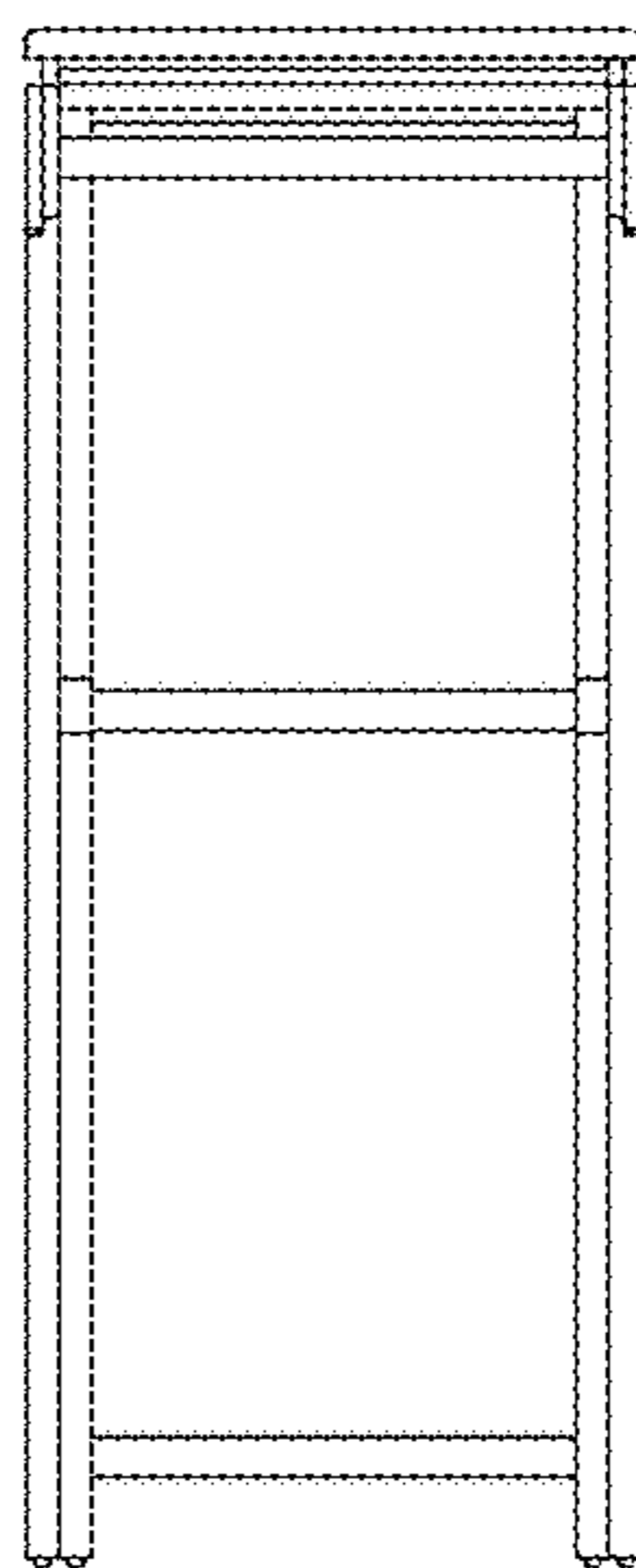


FIG. 5

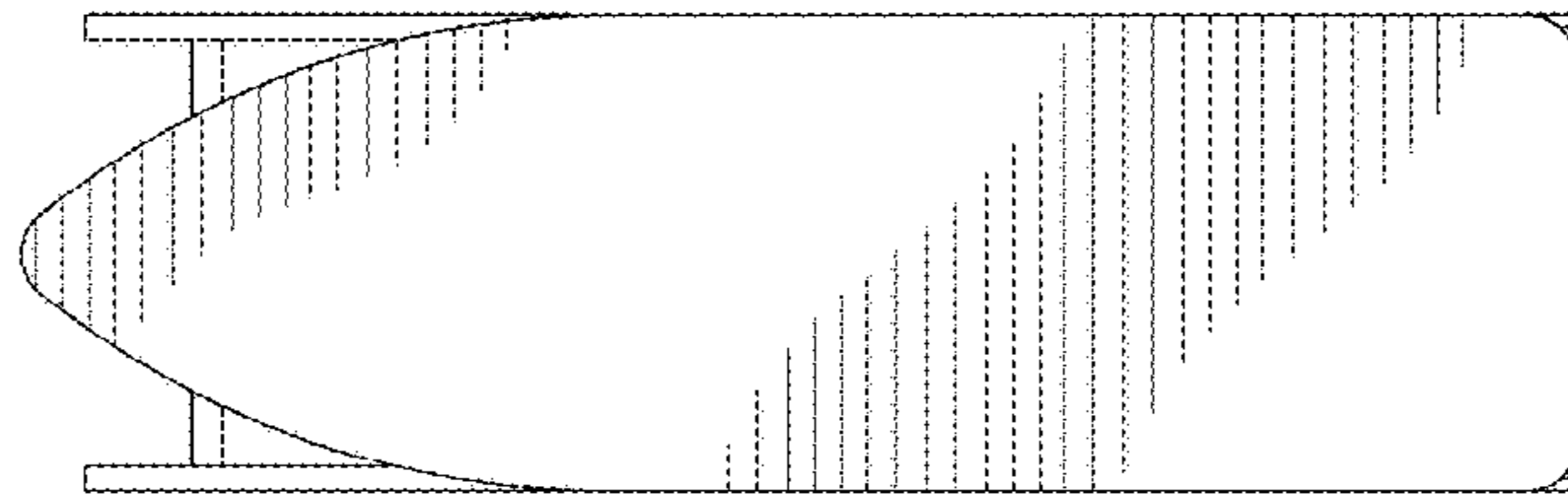


FIG. 6

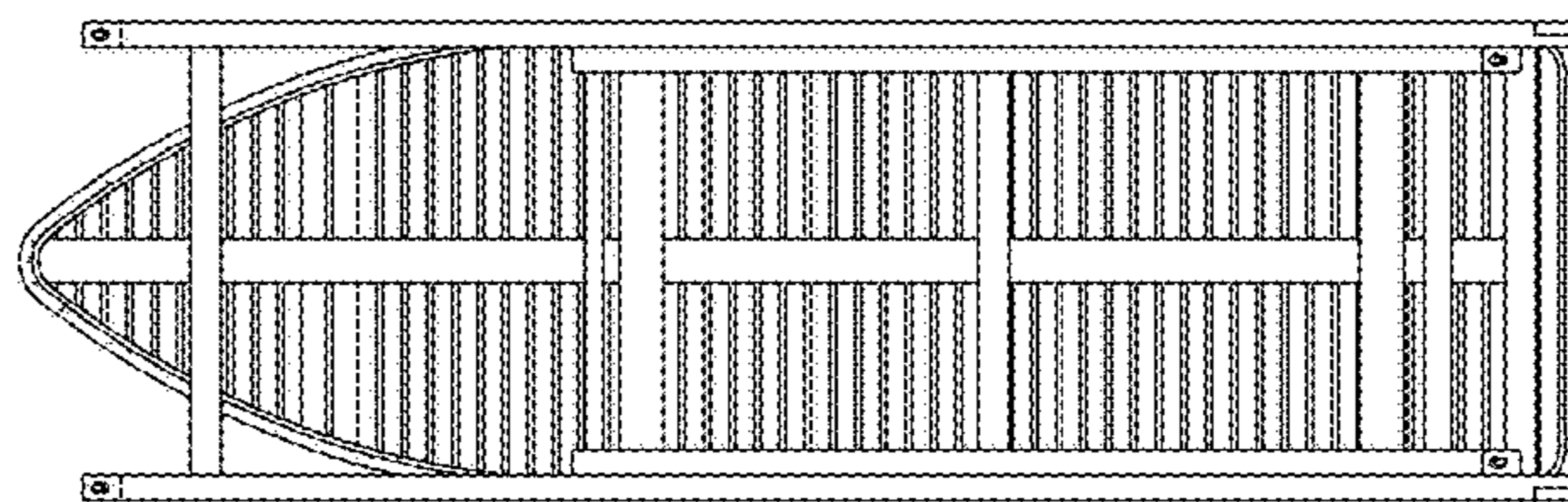


FIG. 7

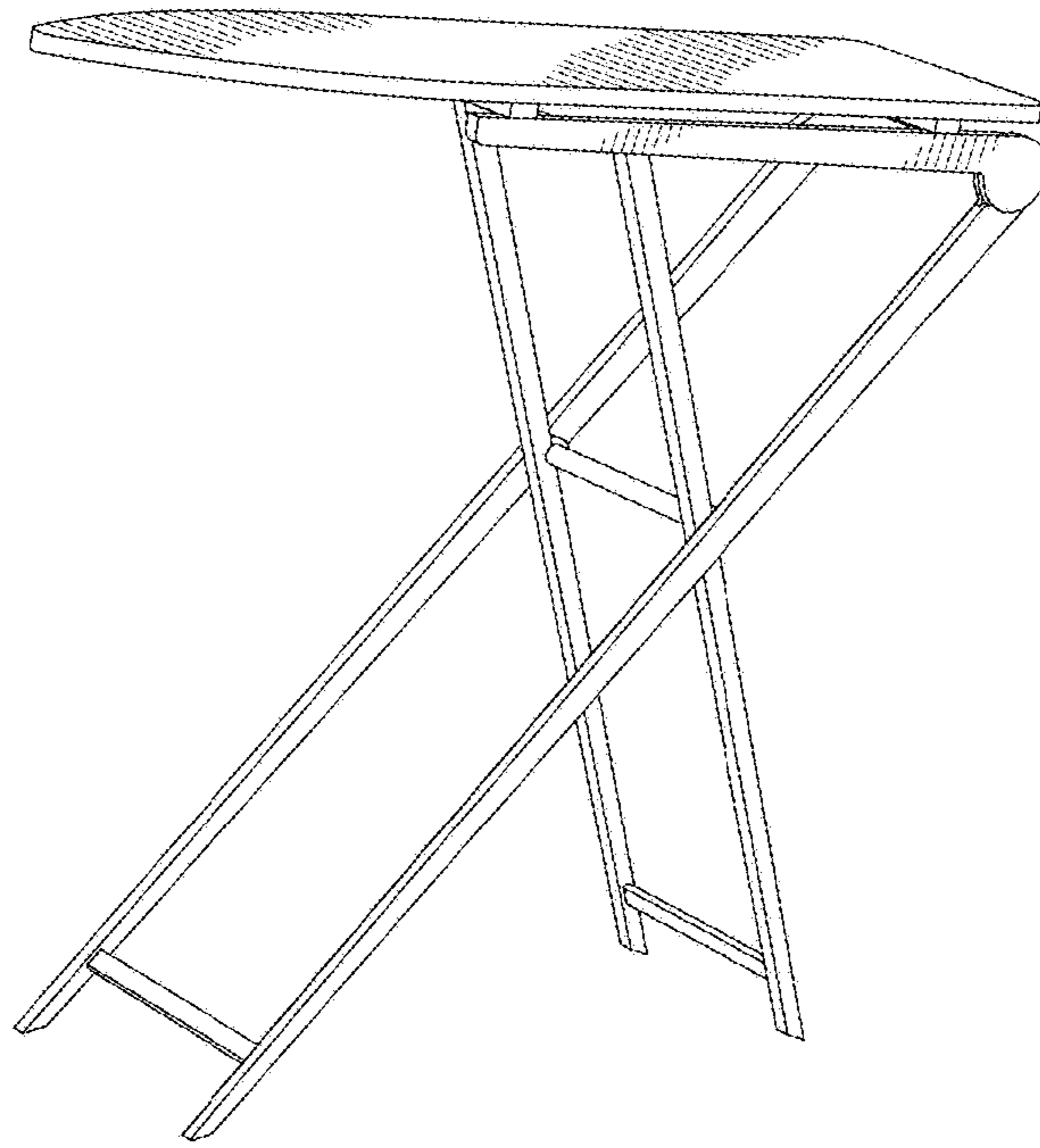


FIG. 8

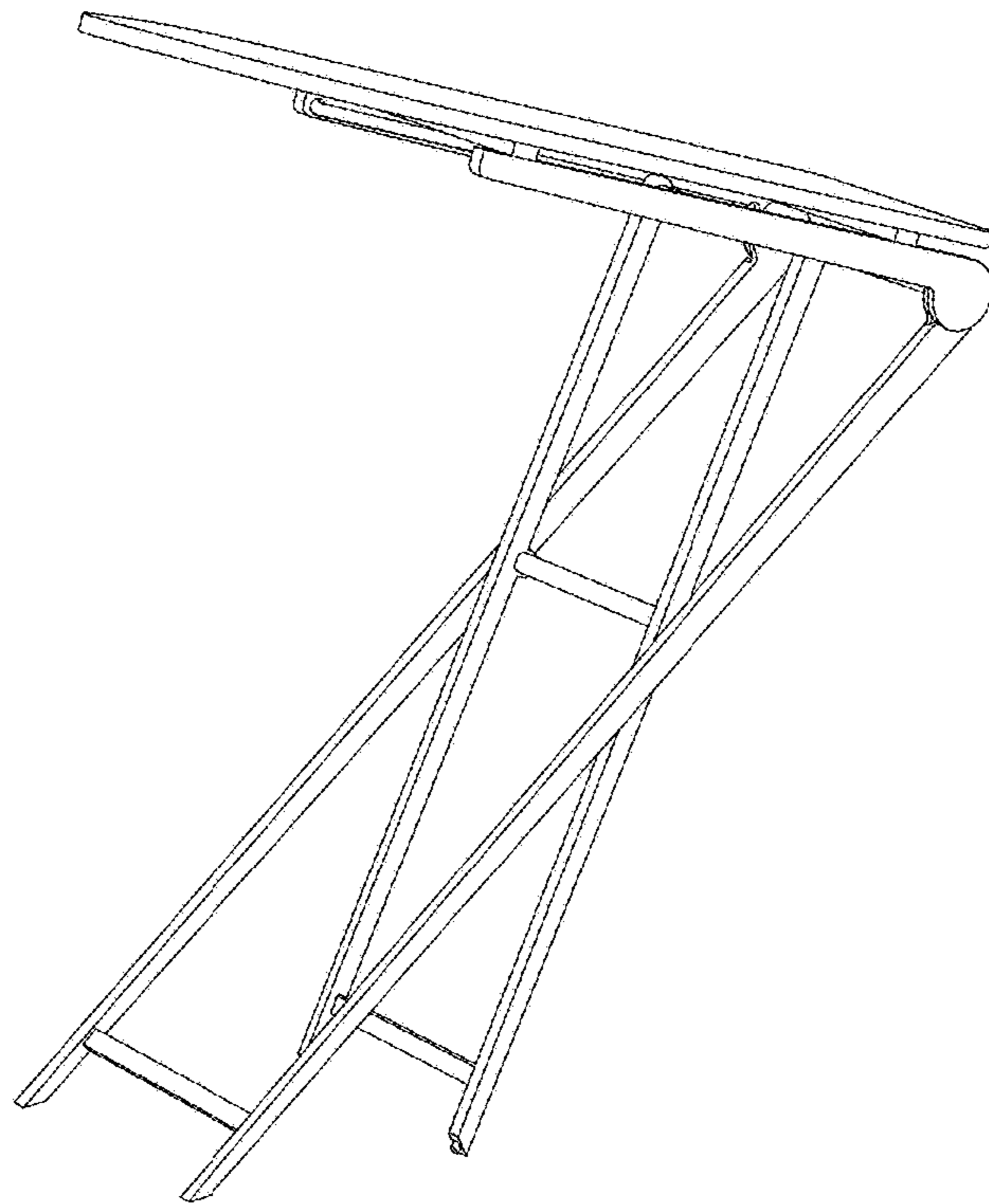


FIG. 9

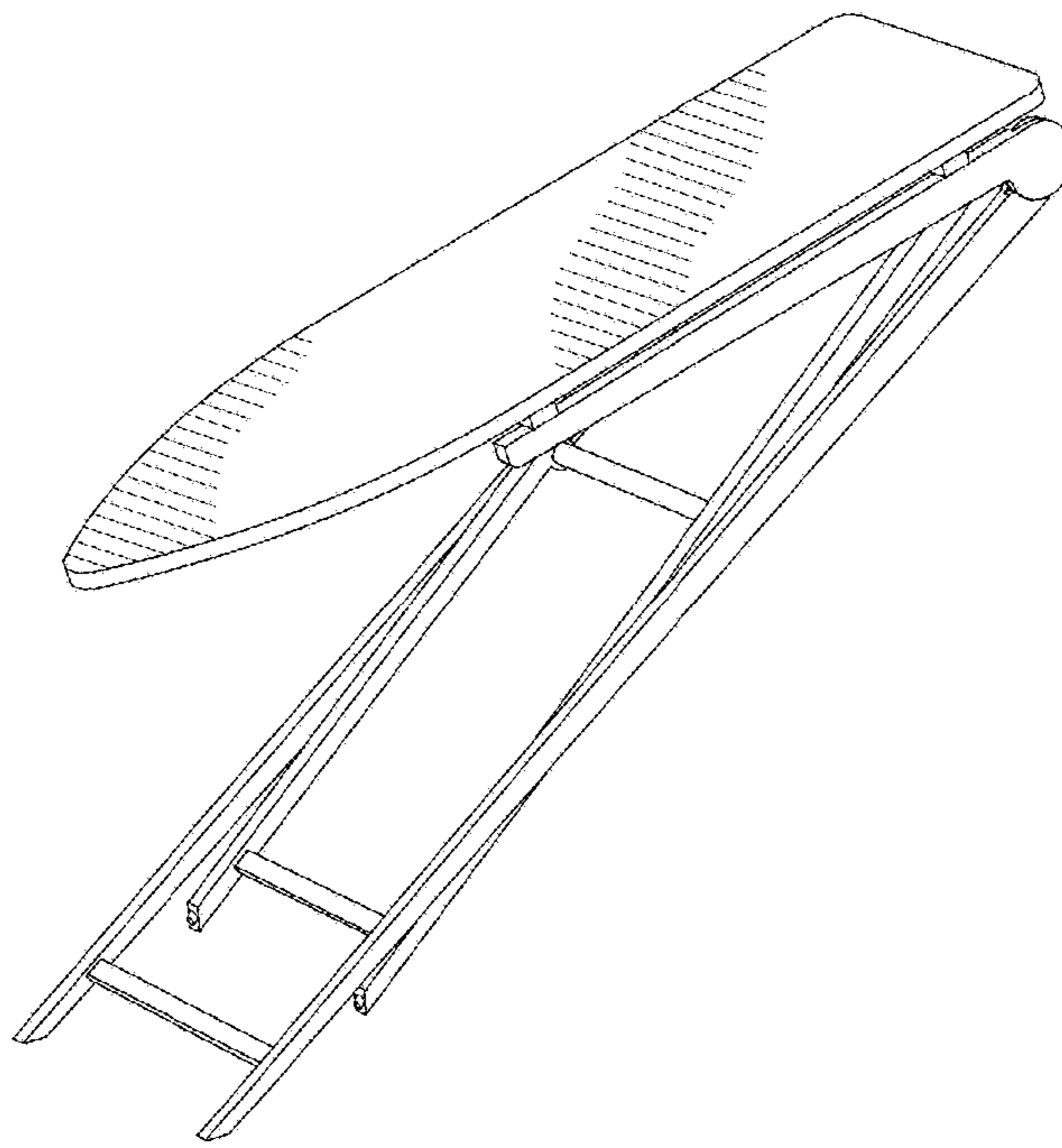


FIG. 10

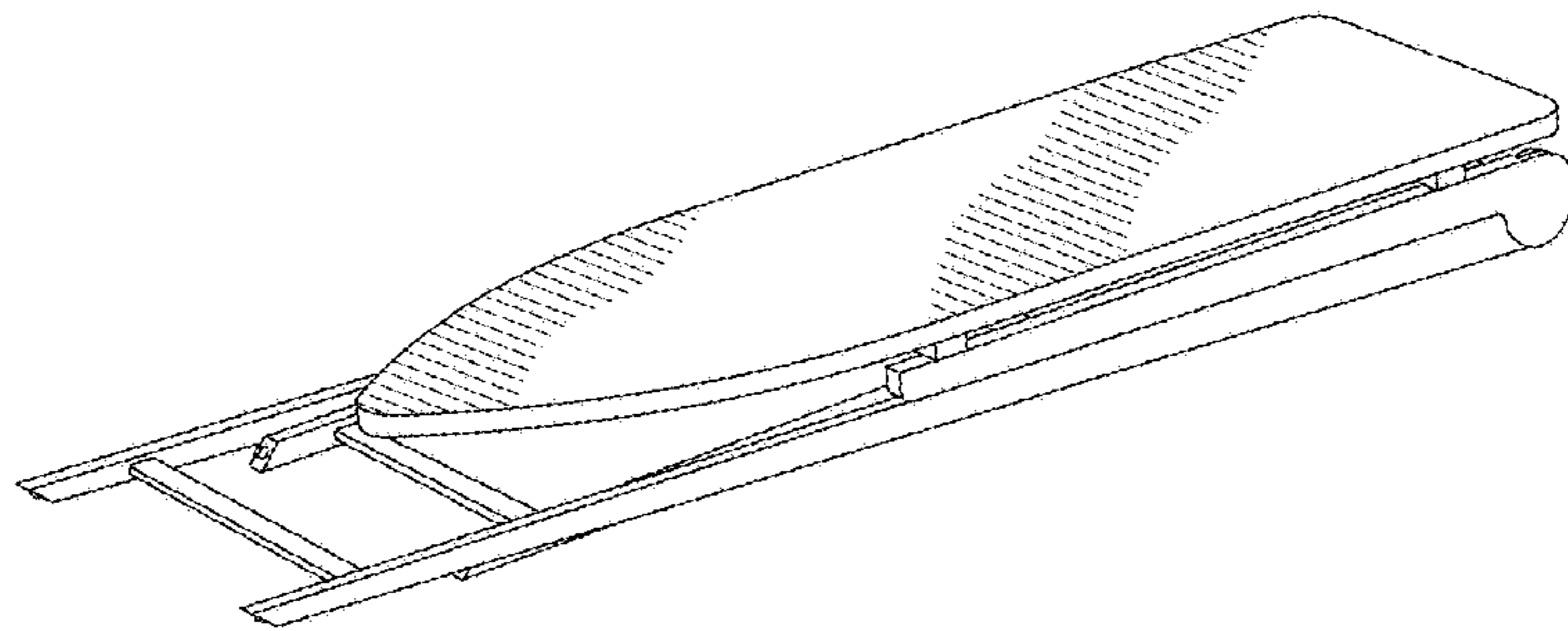


FIG. 11