



US00D858021S

(12) **United States Design Patent** (10) **Patent No.:** **US D858,021 S**
Li (45) **Date of Patent:** **** Aug. 27, 2019**

- (54) **FOLDING DISH RACK**
- (71) Applicant: **Fujian Shuangyi Bamboo and Wood Development Co.,Ltd, Nanping (CN)**
- (72) Inventor: **Zhisheng Li, Nanping (CN)**
- (**) Term: **15 Years**
- (21) Appl. No.: **29/615,526**
- (22) Filed: **Aug. 29, 2017**
- (30) **Foreign Application Priority Data**
Jul. 22, 2017 (CN) 2017 3 0326203.4
- (51) **LOC (12) Cl.** **07-05**
- (52) **U.S. Cl.**
USPC **D32/55**
- (58) **Field of Classification Search**
USPC D32/55, 276, 3; D6/510, 525; D30/133;
211/41.5, 41.4, 41.3, 41.8; 361/679.4;
312/311, 333, 334.4; D7/354, 629
CPC .. A47L 15/505; A47L 15/503; A47L 15/0013;
A47L 19/02; A47L 19/04; A47J 47/20
See application file for complete search history.

- (56) **References Cited**
U.S. PATENT DOCUMENTS
222,542 A * 12/1879 Stearns D06F 57/08
211/200
287,471 A * 10/1883 Raughtigan A47L 19/04
220/487
329,150 A * 10/1885 Eaton D06F 57/08
211/200
378,692 A * 2/1888 Latham D06F 57/08
211/198
395,393 A * 1/1889 Holzmark B08B 3/006
134/85

- 1,008,124 A * 11/1911 Dudley A47L 19/04
211/40
- D114,883 S * 5/1939 Herzog 131/240.1
- D247,416 S * 3/1978 Berman D32/55
- D252,251 S * 7/1979 Lundahl D32/55
- 4,212,400 A * 7/1980 Buchsteiner A47L 19/04
211/200
- 4,221,299 A * 9/1980 Taylor A47L 19/04
211/41.6
- D258,928 S * 4/1981 Buchsteiner nee Fetzer
D32/55
- D259,537 S * 6/1981 Taylor D32/55
- 4,328,899 A * 5/1982 Krusche A47L 19/04
211/200
- D267,517 S * 1/1983 Krusche D32/55
- D347,717 S * 6/1994 Chapin D32/55
- D404,220 S * 1/1999 Stravitz D6/407
- D423,160 S * 4/2000 Lenney D32/55
- D429,863 S * 8/2000 Lenney D32/55
- D532,948 S * 11/2006 Gillisie D32/55
- 7,578,401 B2 * 8/2009 Schnitzer A47L 19/04
211/200

* cited by examiner

Primary Examiner — Austin Murphy
(74) *Attorney, Agent, or Firm* — W & K IP

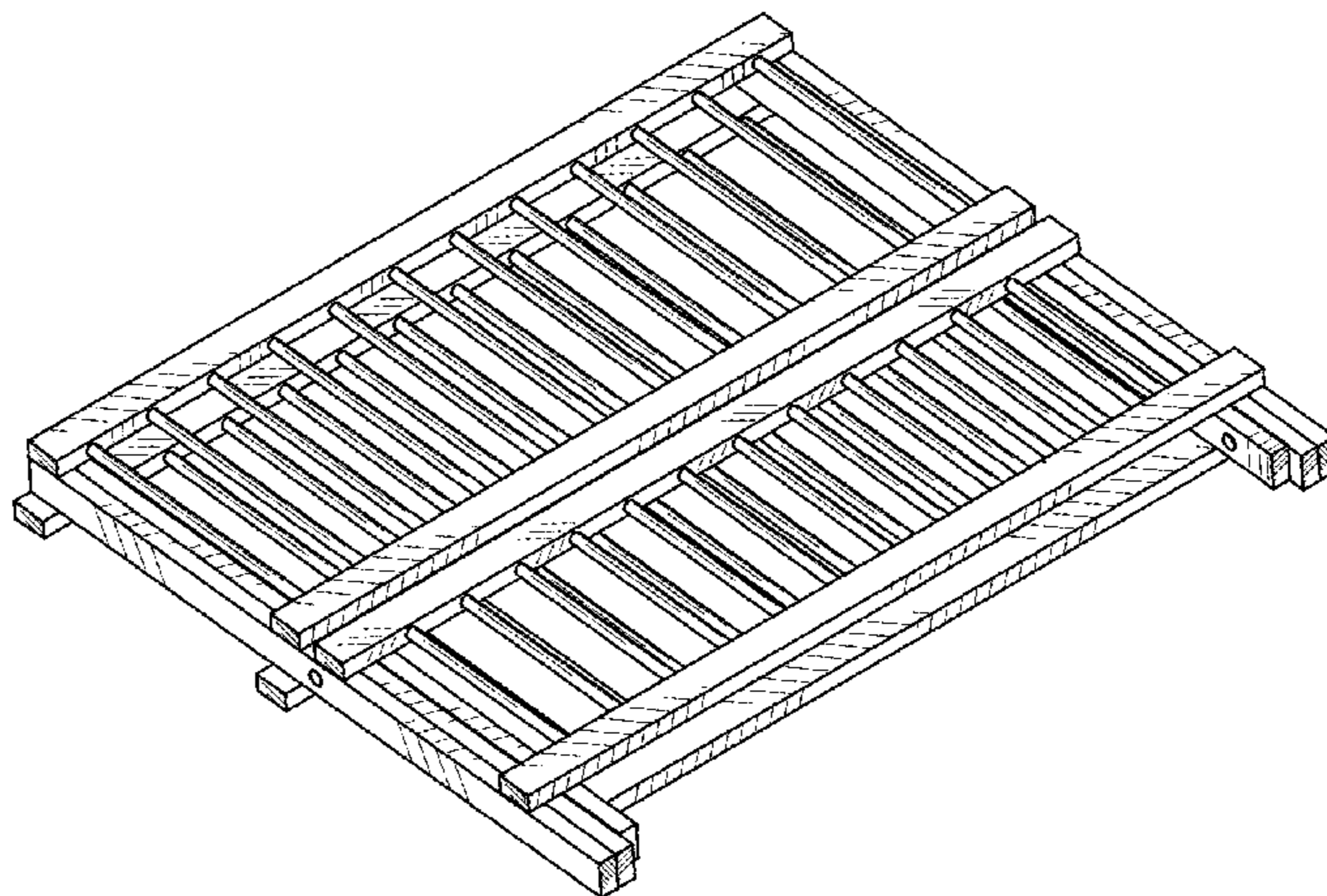
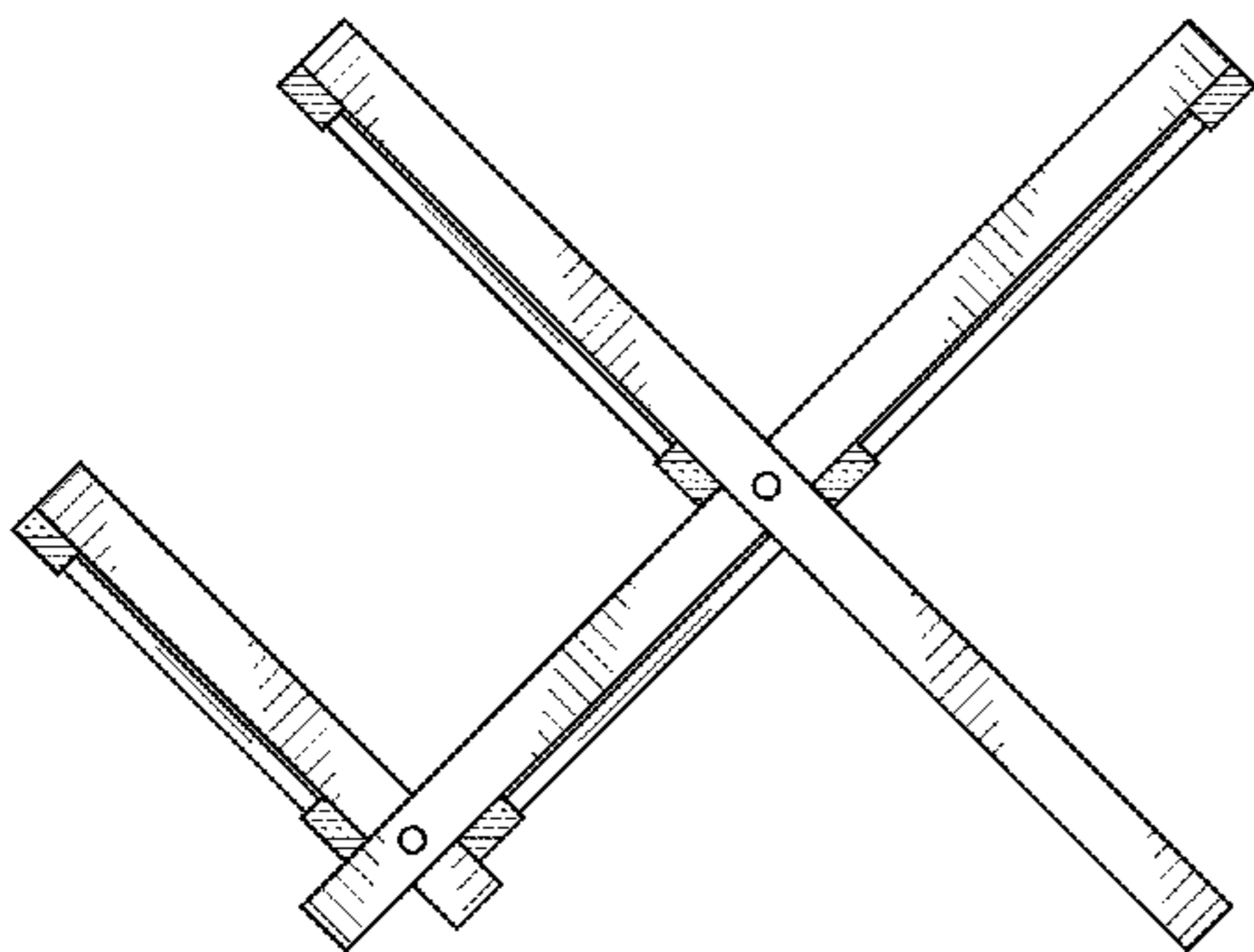
(57) **CLAIM**

The ornamental design for folding dish rack, as shown and described.

DESCRIPTION

FIG. 1 is a front view showing my design;
FIG. 2 is a back view showing my design;
FIG. 3 is a left side view showing my design;
FIG. 4 is a right side view showing my design;
FIG. 5 is a top plan view showing my design;
FIG. 6 is a bottom plan view showing my design.
FIG. 7 is a perspective view showing my design; and,
FIG. 8 is a folding state view showing my design.

1 Claim, 4 Drawing Sheets



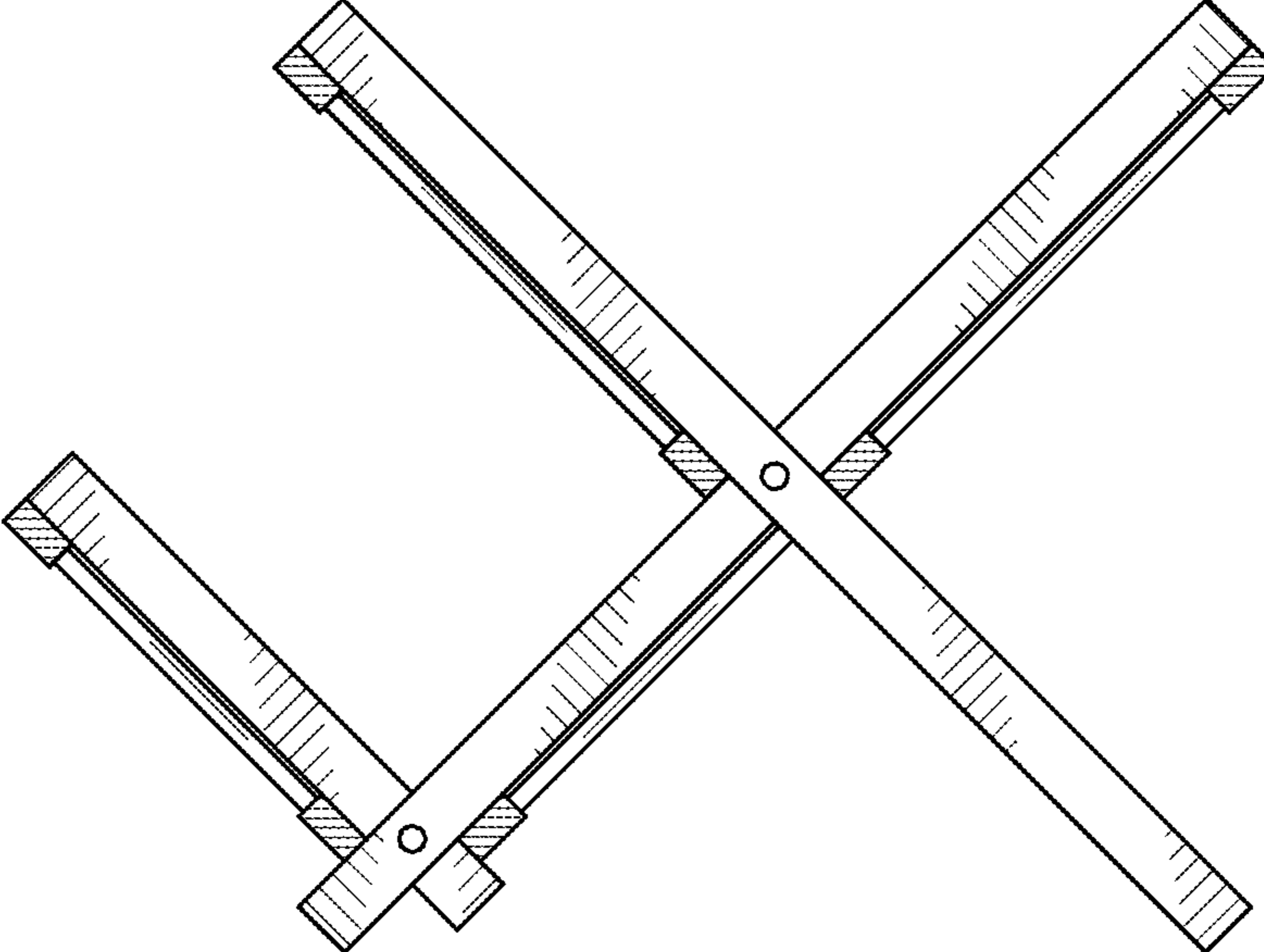


FIG. 1

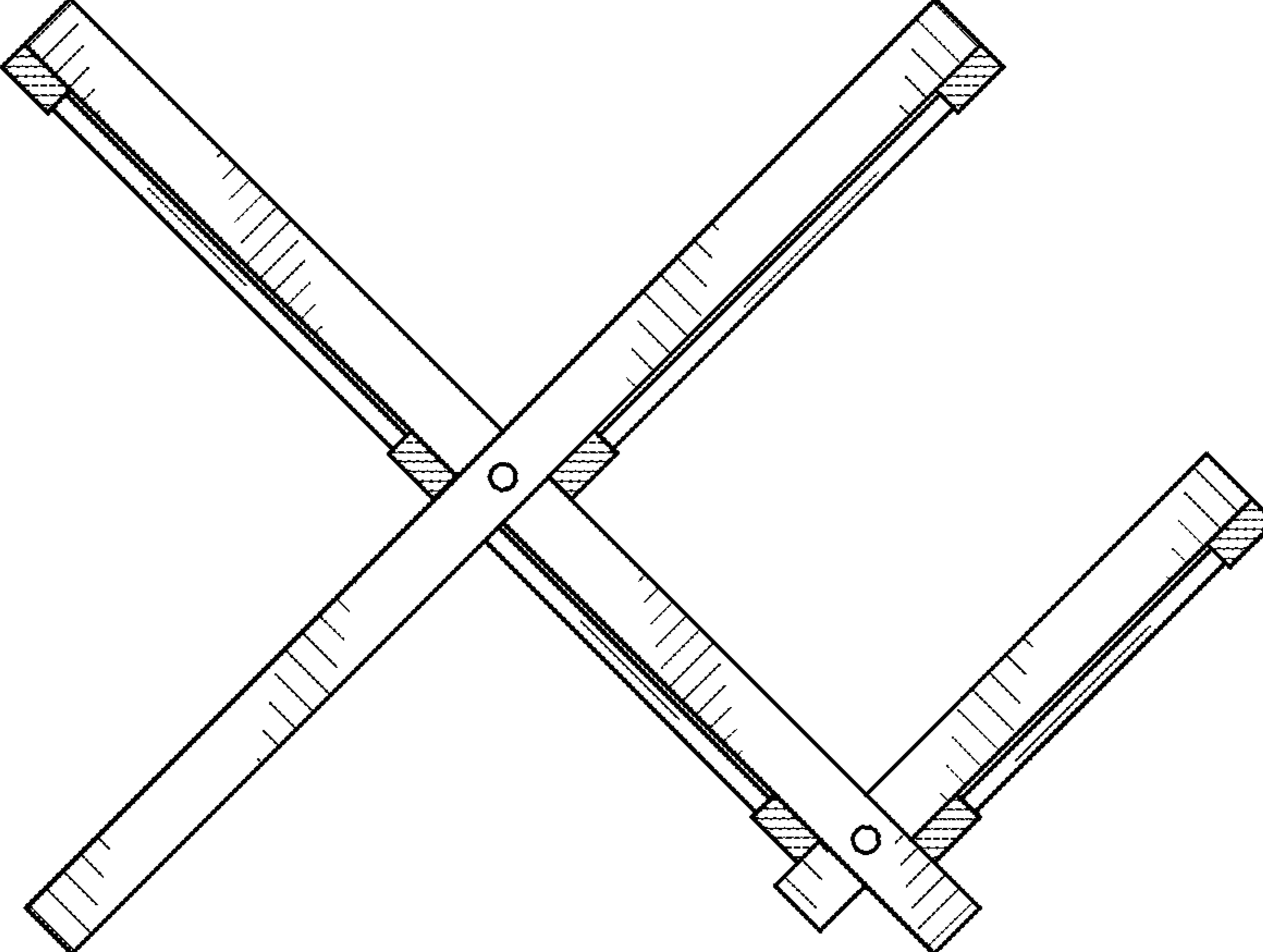


FIG. 2

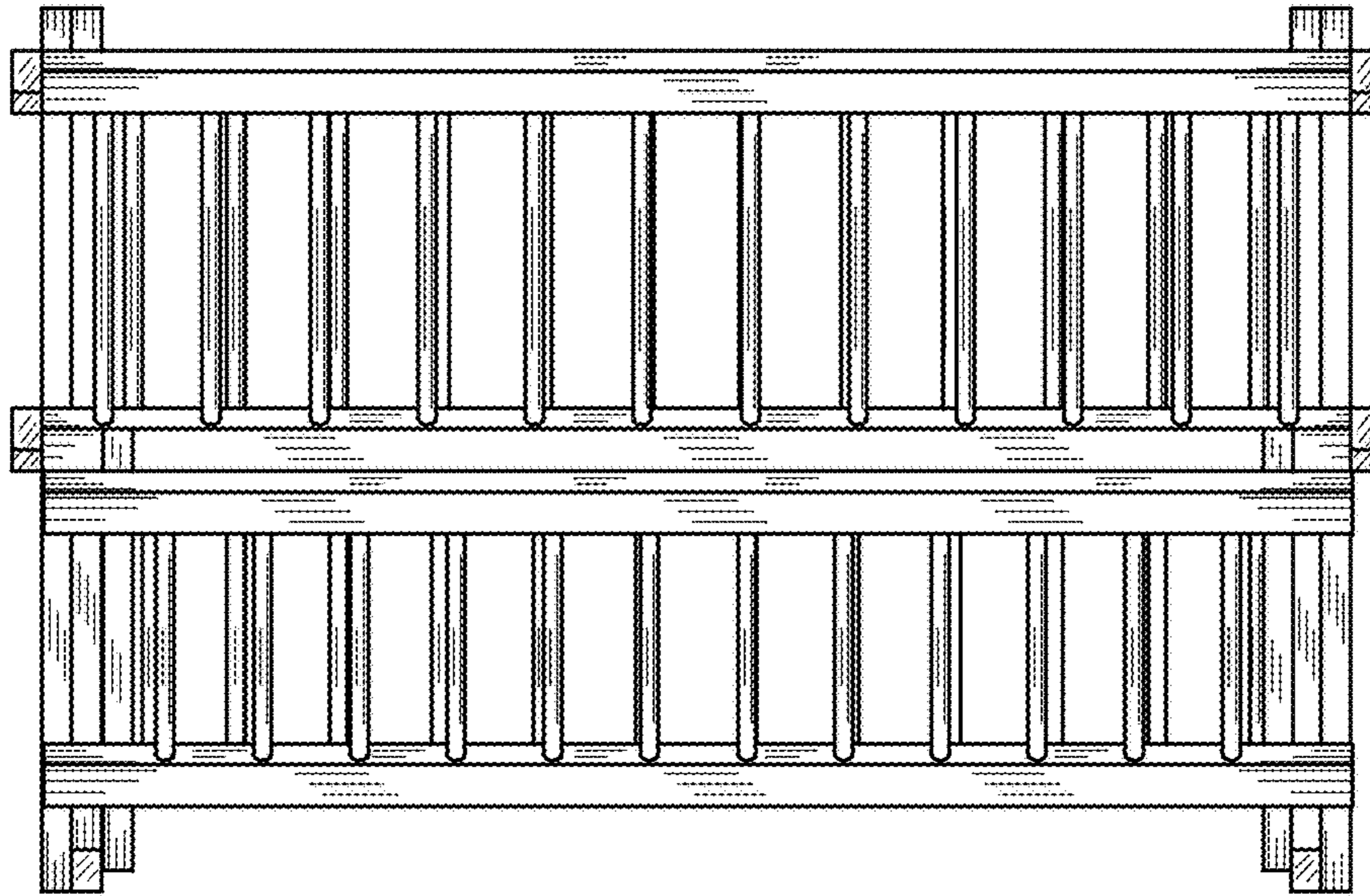


FIG. 3

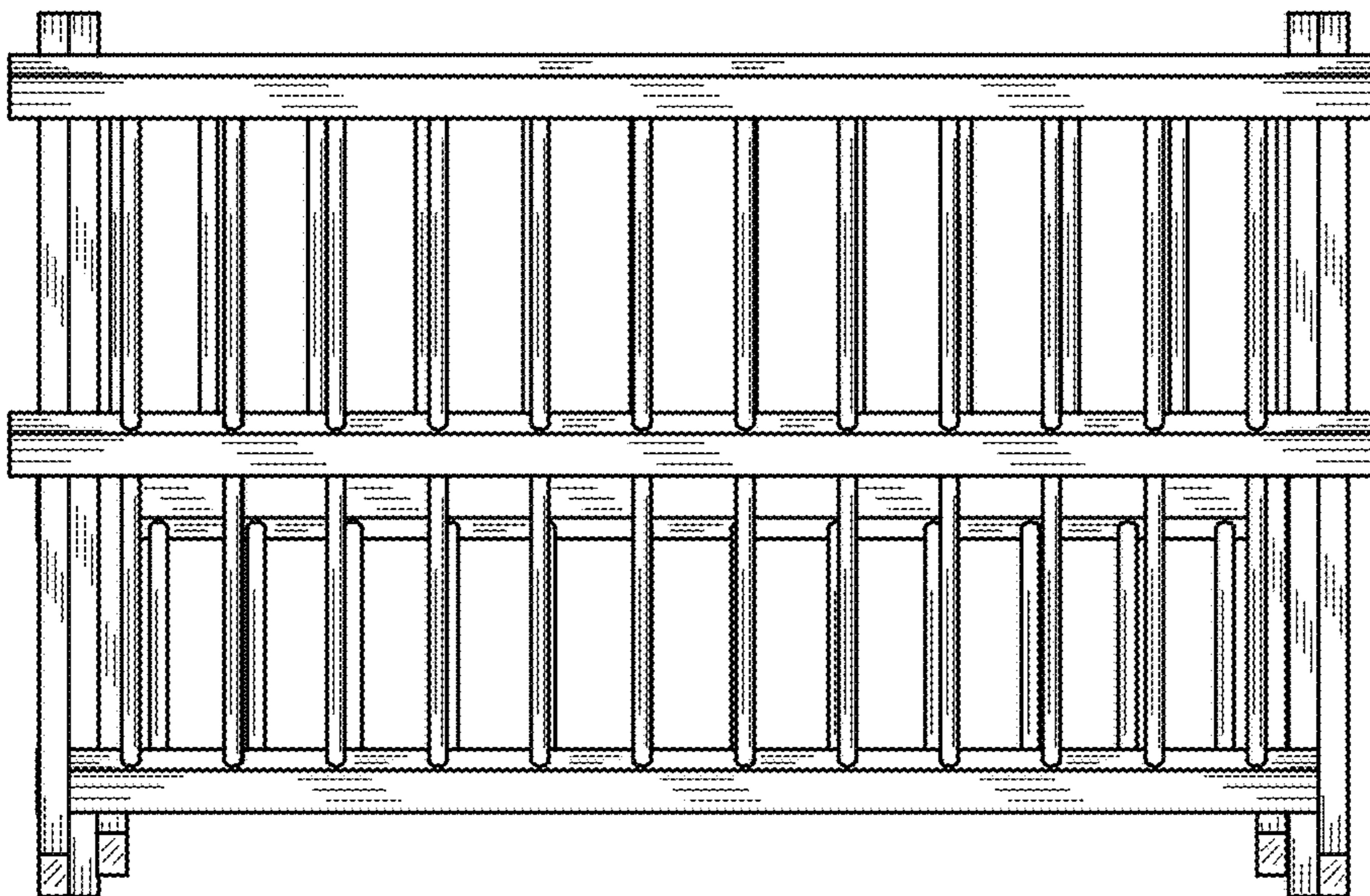


FIG. 4

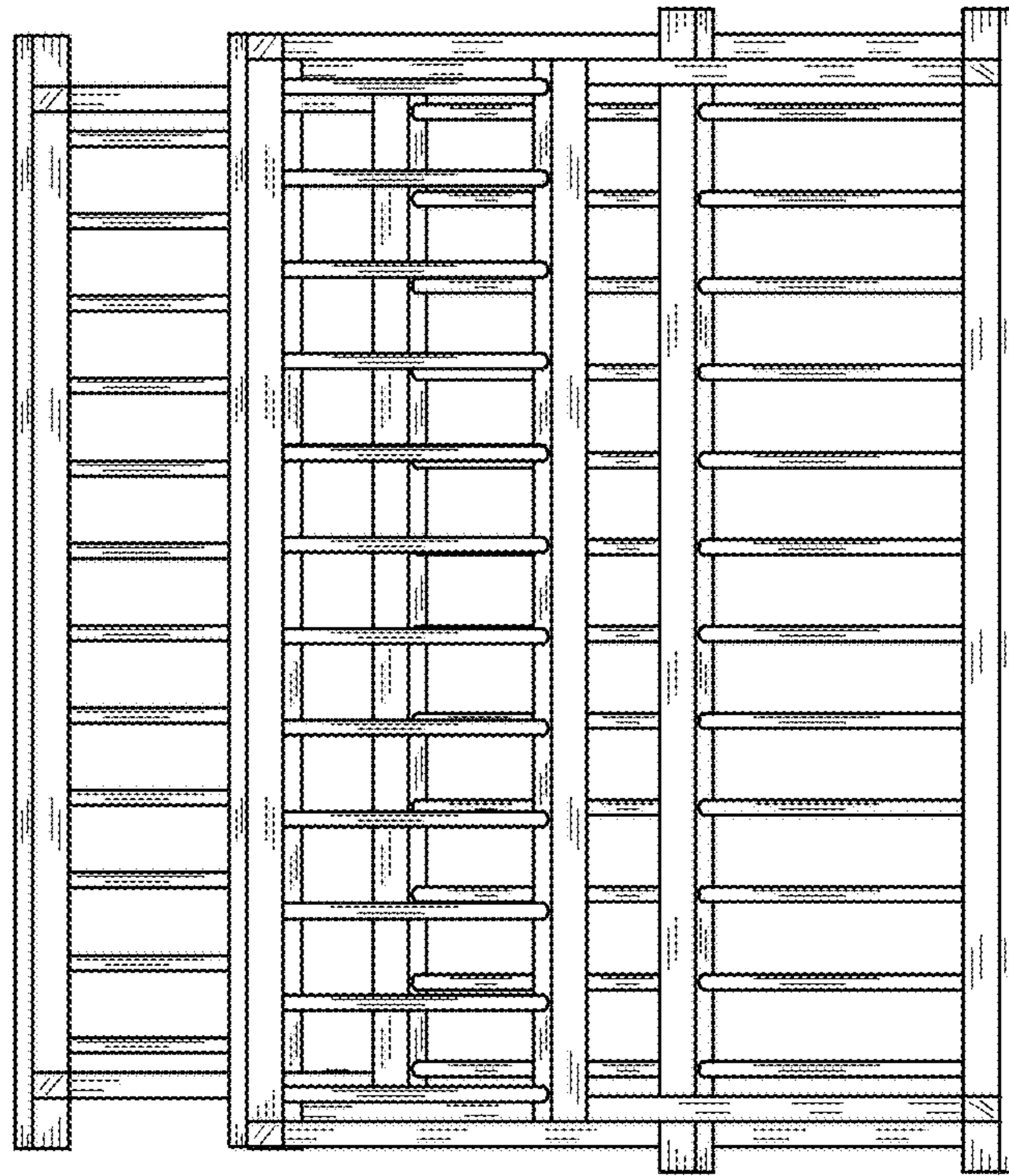


FIG. 5

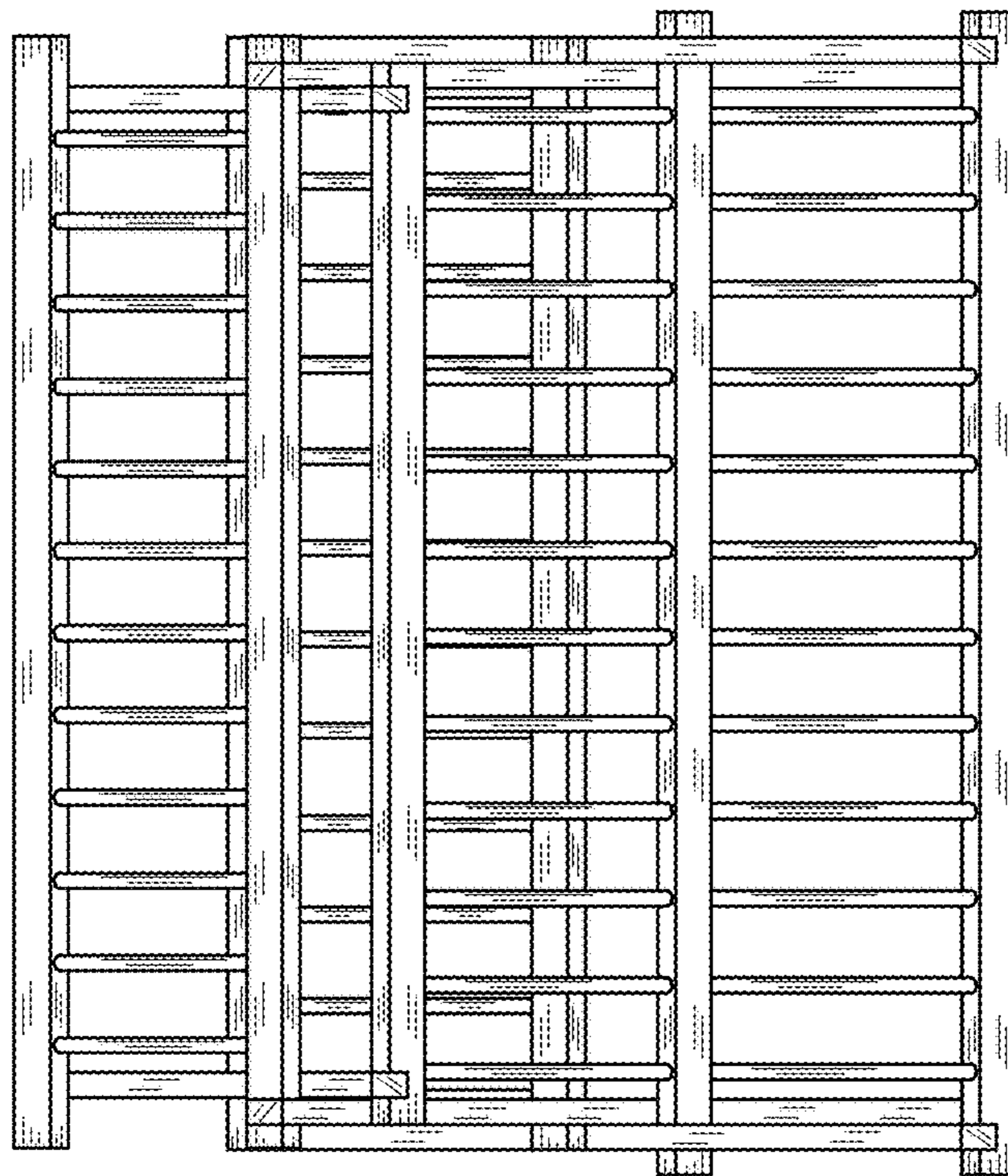


FIG. 6

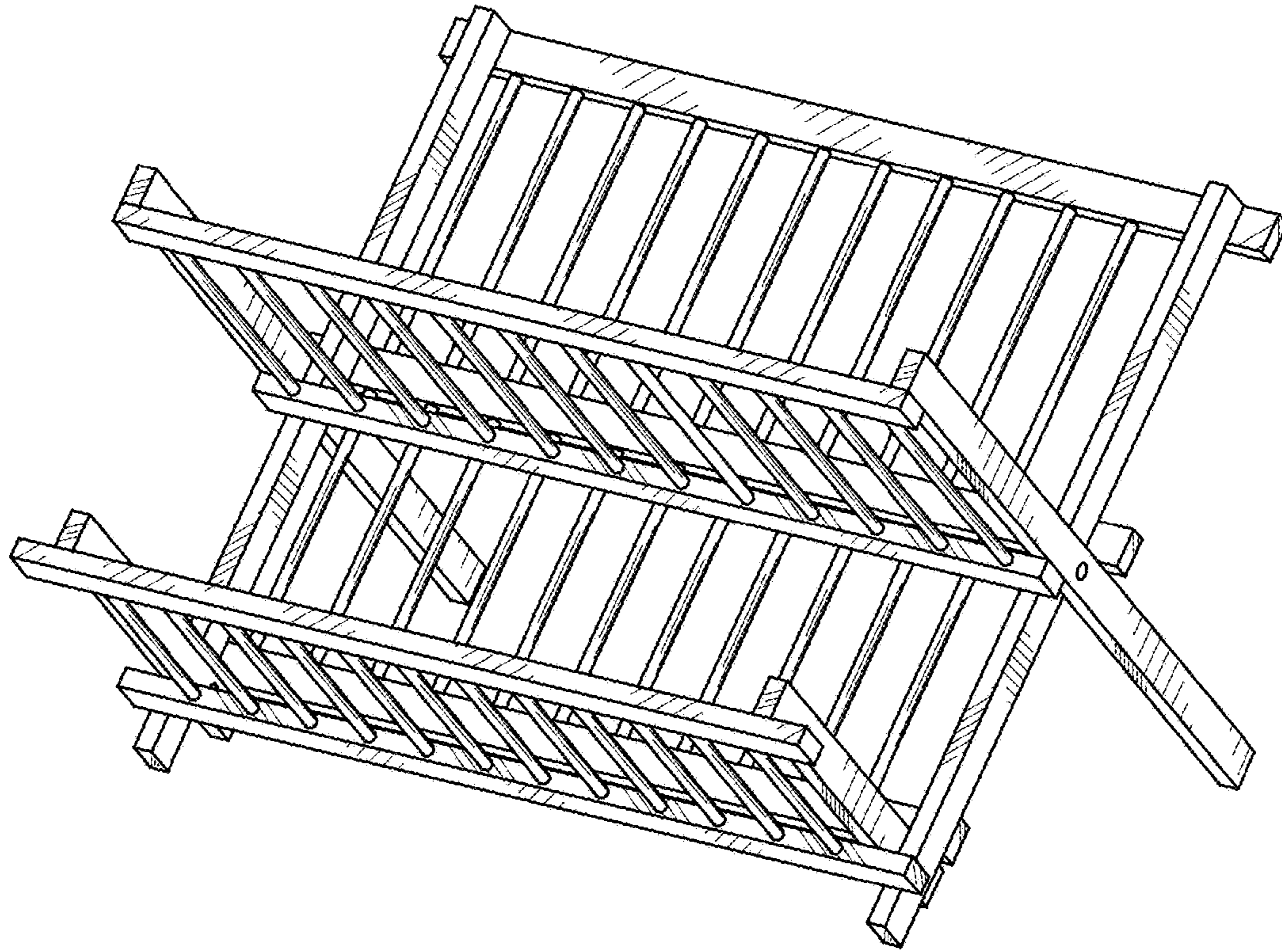


FIG. 7

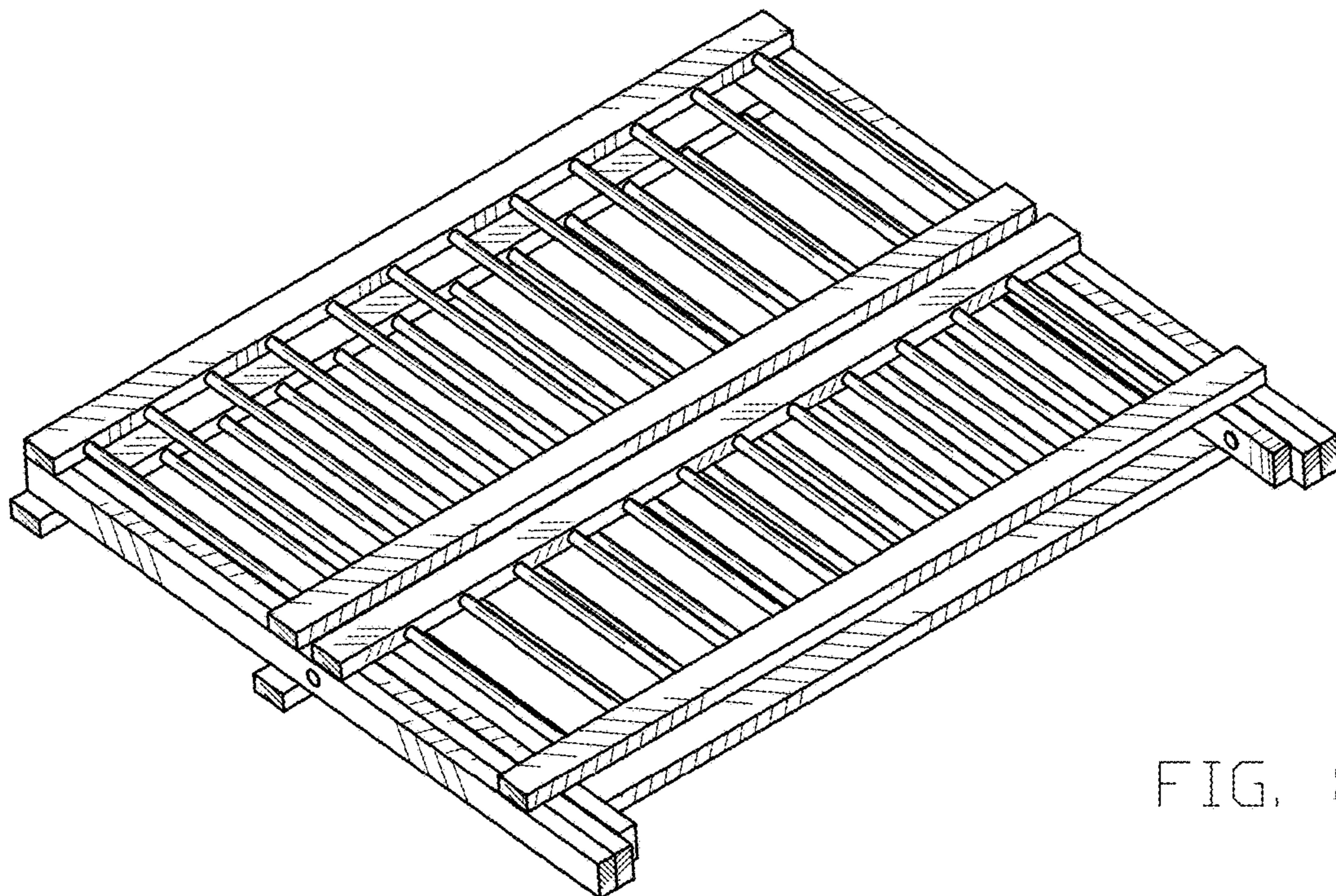


FIG. 8