



US00D858020S

(12) **United States Design Patent**
Gooden

(10) **Patent No.:** **US D858,020 S**

(45) **Date of Patent:** **** Aug. 27, 2019**

(54) **CARPET AND GLASS CLEANING HEAD
CAP**

(71) Applicant: **Hopkins Manufacturing Corporation,**
Emporia, KS (US)

(72) Inventor: **Marcus Gooden,** LomaLinda, CA (US)

(73) Assignee: **HOPKINS MANUFACTURING
CORPORATION,** Emporia, KS (US)

(**) Term: **15 Years**

(21) Appl. No.: **29/640,592**

(22) Filed: **Mar. 15, 2018**

(51) **LOC (12) Cl.** **07-05**

(52) **U.S. Cl.**
USPC **D32/45**

(58) **Field of Classification Search**
USPC D8/70, 62; D32/40-43, 45, 50-52, 25,
D32/17; D4/116, 119, 121-123
CPC B08B 1/00; A47B 91/06
See application file for complete search history.

(56) **References Cited**

U.S. PATENT DOCUMENTS

2,584,735	A *	2/1952	Pancoast	A61H 7/003
					15/121
D218,728	S *	9/1970	Busse	D4/116
D236,072	S *	7/1975	Tsang	D32/41
D288,502	S *	3/1987	Barkley	401/190
D343,297	S *	1/1994	Haines	D28/63
D386,853	S *	11/1997	Koptis	D32/45
D386,854	S *	11/1997	Koptis	D32/45
D416,361	S *	11/1999	Haghdan	D32/17
D425,309	S *	5/2000	Granito	D4/121
D434,567	S *	12/2000	Chen	D28/63
D466,305	S *	12/2002	Seo	D28/20
D514,328	S *	2/2006	Huang	D24/211
7,367,078	B2 *	5/2008	Mameletzi	A47L 17/04
					15/105

D574,117	S *	7/2008	McGregory	D11/146
D609,014	S *	2/2010	Hill	D4/114
D660,005	S *	5/2012	Prague	D4/114
D660,006	S *	5/2012	Li	D32/51
D702,949	S *	4/2014	Dunivan	D4/114
D750,492	S *	3/2016	Campbell	D9/448
D752,873	S *	4/2016	Deluca	D4/116

(Continued)

FOREIGN PATENT DOCUMENTS

CN 304325945 * 10/2017

OTHER PUBLICATIONS

Top 10 Best Power Scrubbers Reviews in 2018, <https://5top10best.com/best-power-scrubbers-reviews/>, site visited Nov. 15, 2018.*

(Continued)

Primary Examiner — John Windmuller

Assistant Examiner — John R Yeh

(74) *Attorney, Agent, or Firm* — Bond Schoeneck & King, PLLC; George McGuire

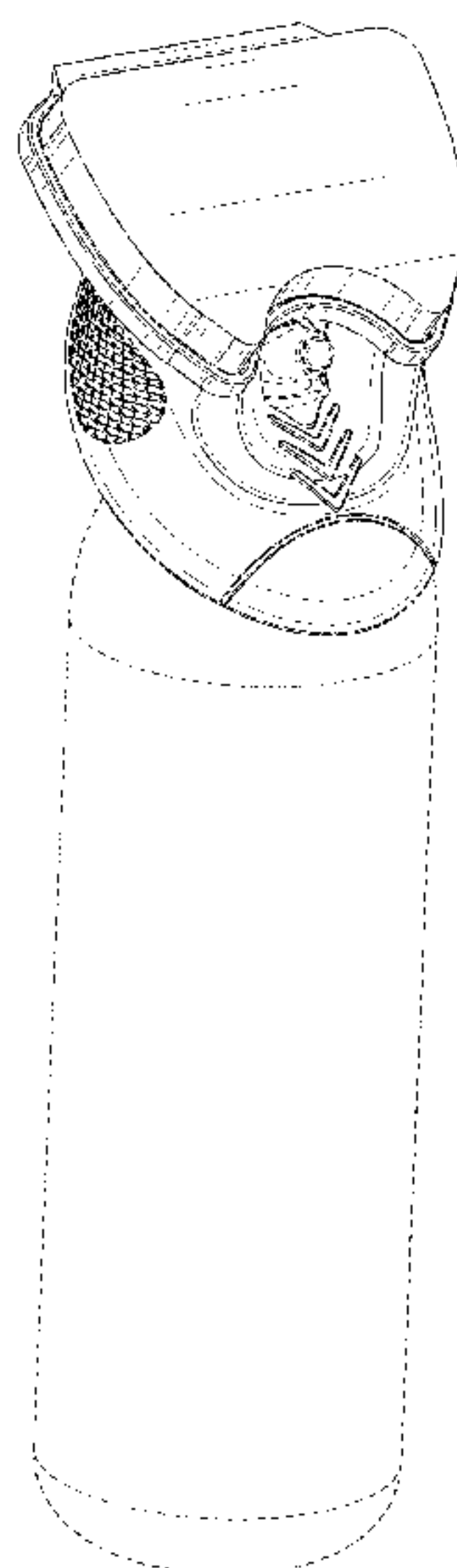
(57) **CLAIM**

The ornamental design for a carpet and glass cleaning head cap, as shown and described.

DESCRIPTION

FIG. 1 is a perspective view of my new and original design for a carpet and glass cleaning head cap; FIG. 2 is a front elevation view thereof; FIG. 3 is a rear elevation view thereof; FIG. 4 is a first side elevation view thereof; FIG. 5 is a second side elevation view thereof; FIG. 6 is a top plan view thereof; and, FIG. 7 is a bottom plan view thereof. The broken lines in the figures represent features and environment of the carpet and glass cleaning head cap that form no part of the claimed design.

1 Claim, 6 Drawing Sheets



(56)

References Cited

U.S. PATENT DOCUMENTS

D769,627 S * 10/2016 Hanson D4/116
D774,776 S * 12/2016 Mahiques D4/116
D787,830 S * 5/2017 Jack D32/45
D795,594 S * 8/2017 Thornton D4/127
2017/0050219 A1 * 2/2017 Kalfe A46B 9/02

OTHER PUBLICATIONS

Amazon.com: BBQ Accessories—Grill Brush review 2017, <https://www.amazon.com/Black-Ultra-Stiff-Cleaning-Striping-Outdoor/dp/B071GLZYY7?th=1#customerReviews>, site visited Nov. 15, 2018.*

* cited by examiner

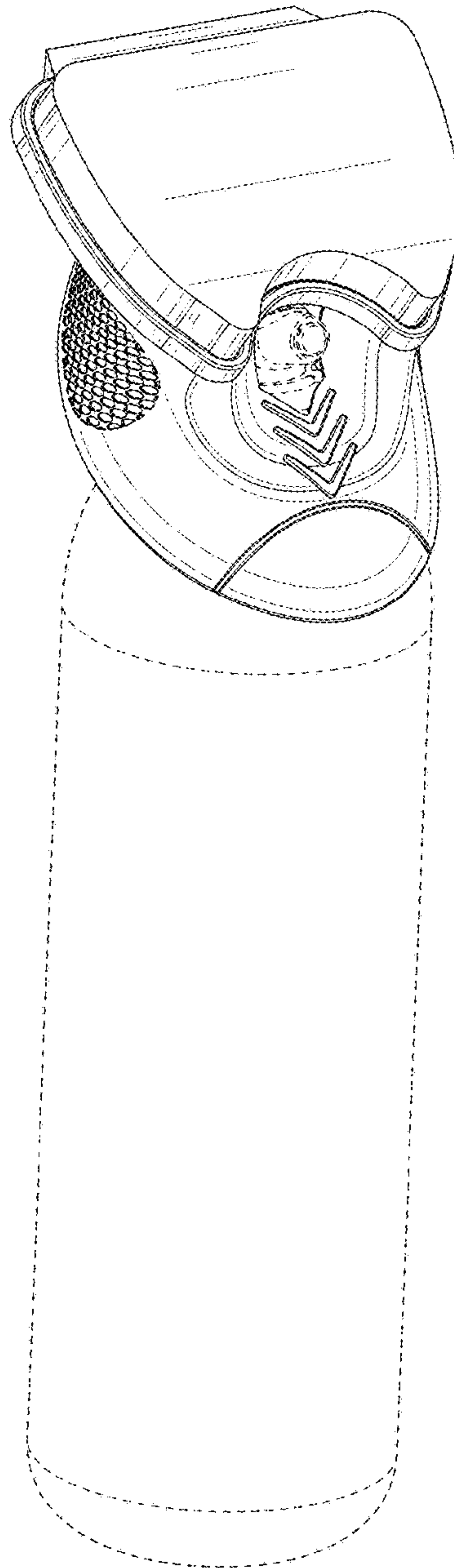


FIG. 1

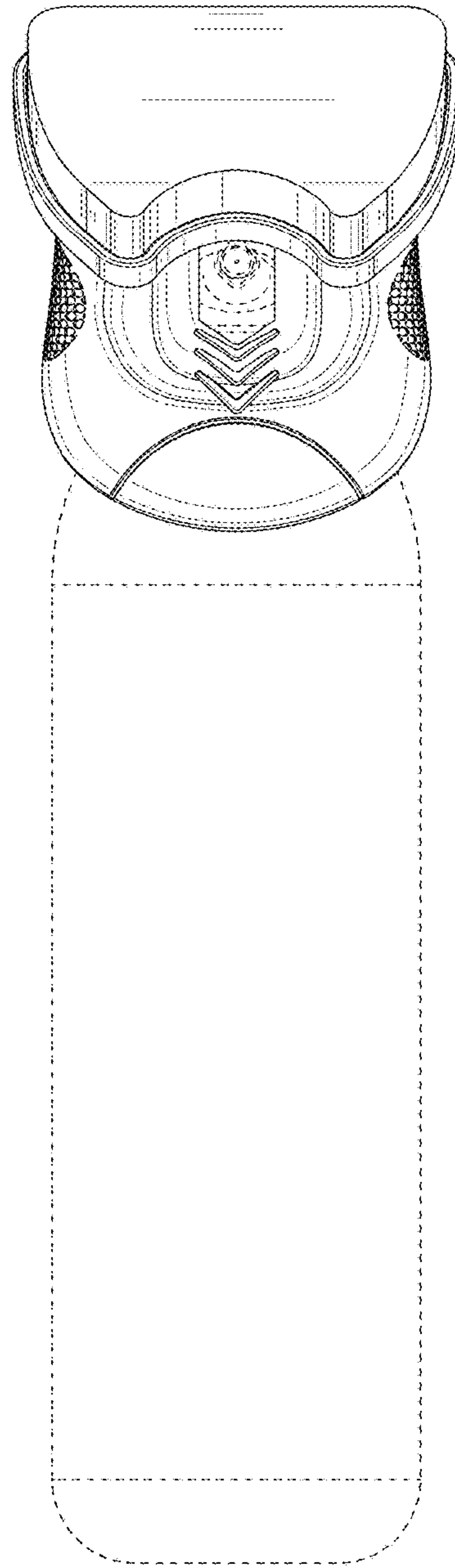


FIG. 2

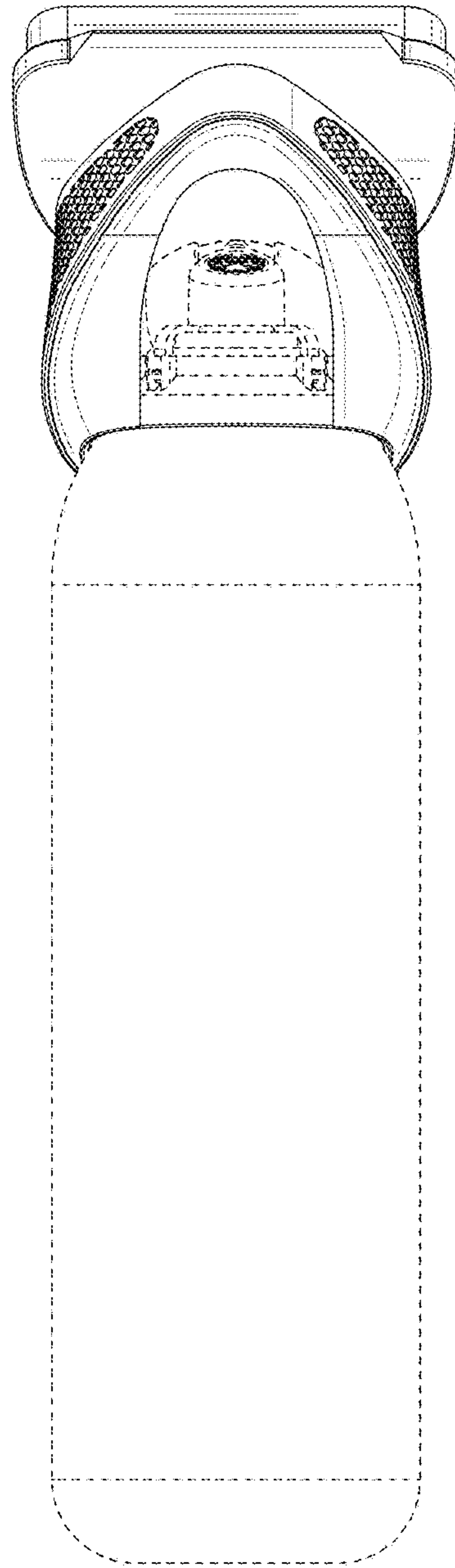


FIG. 3

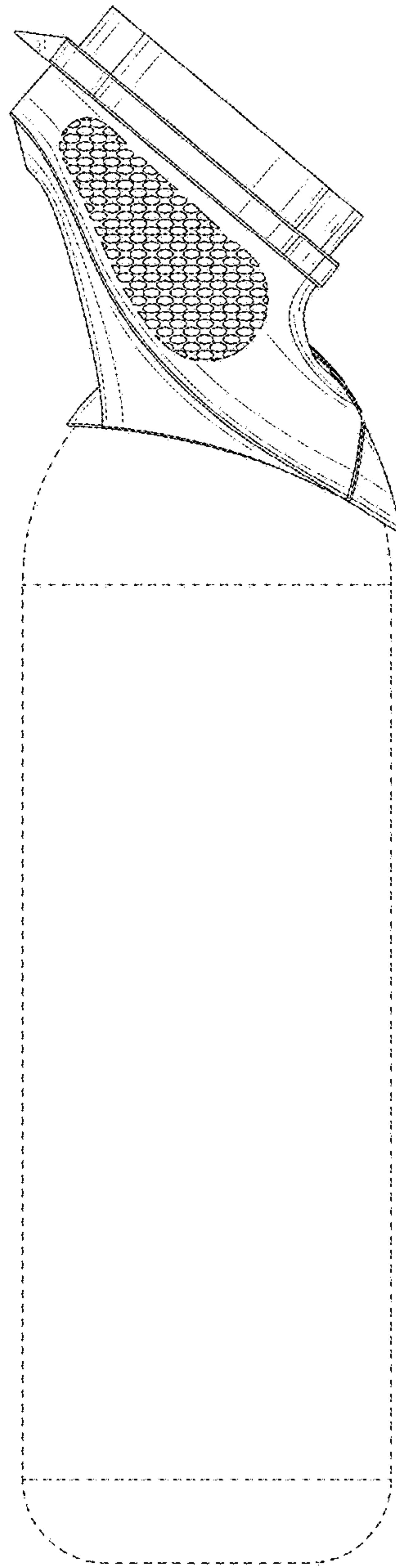


FIG. 4

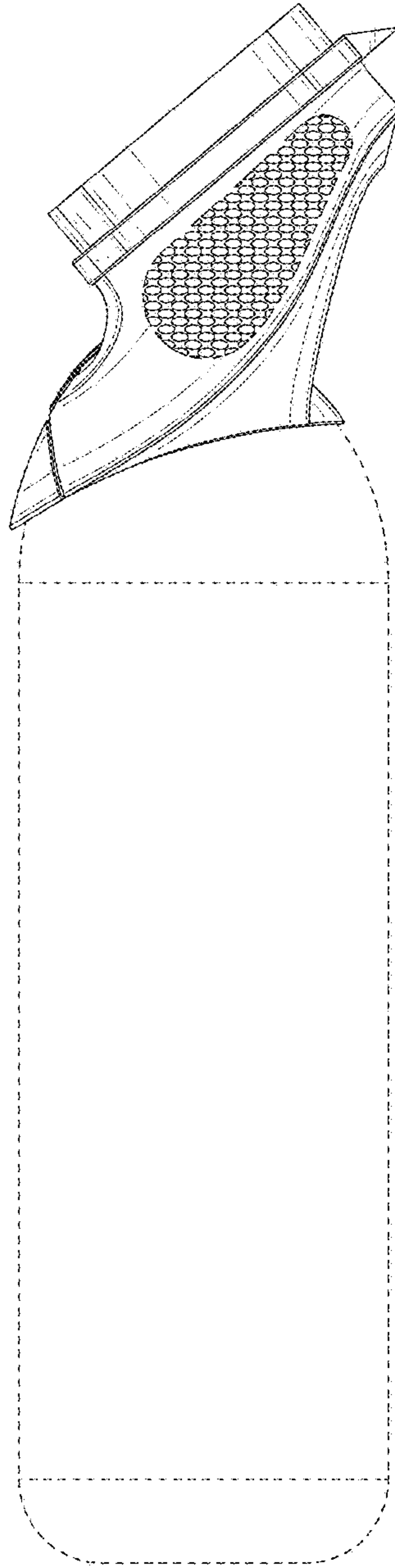


FIG. 5

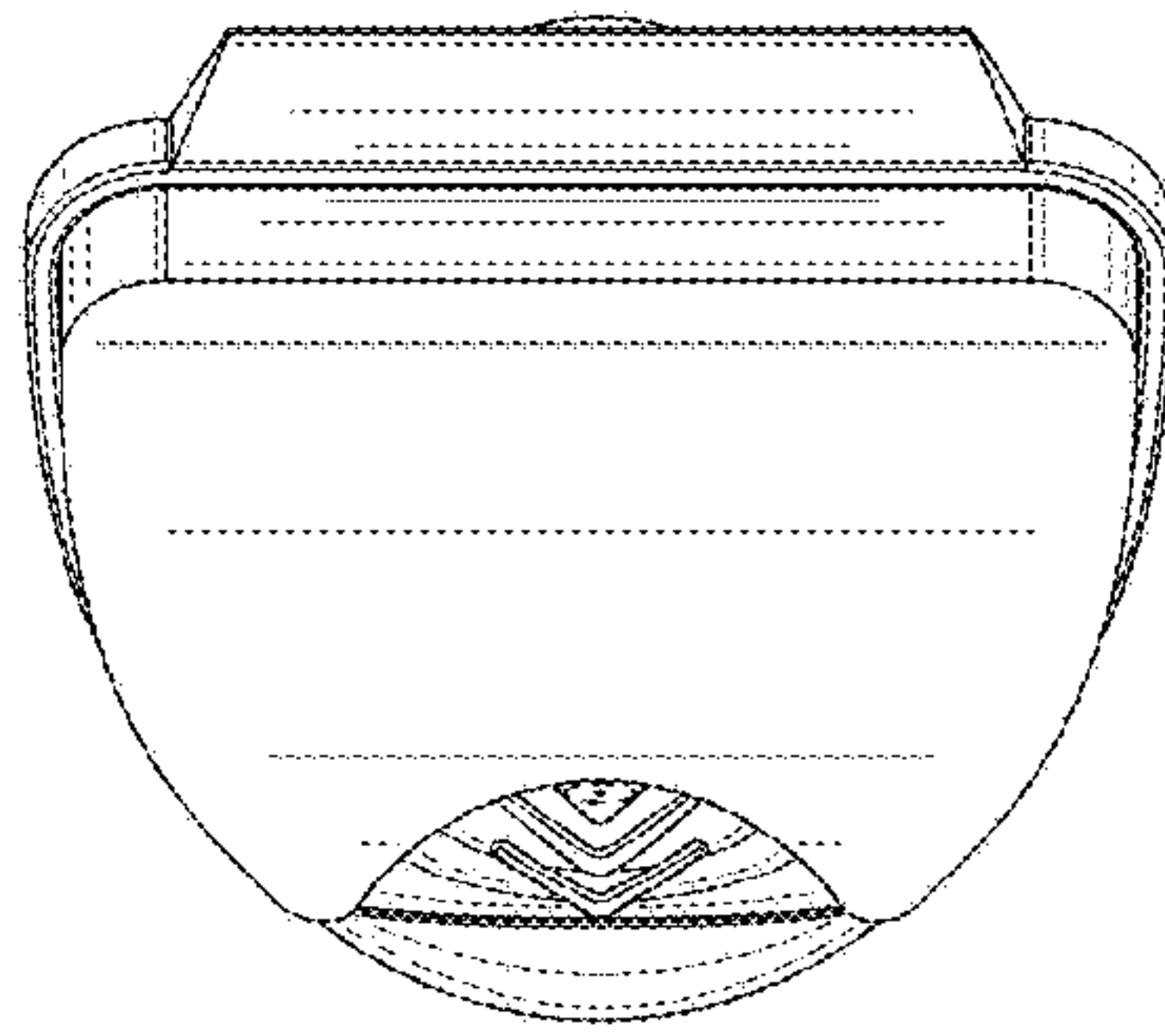


FIG. 6

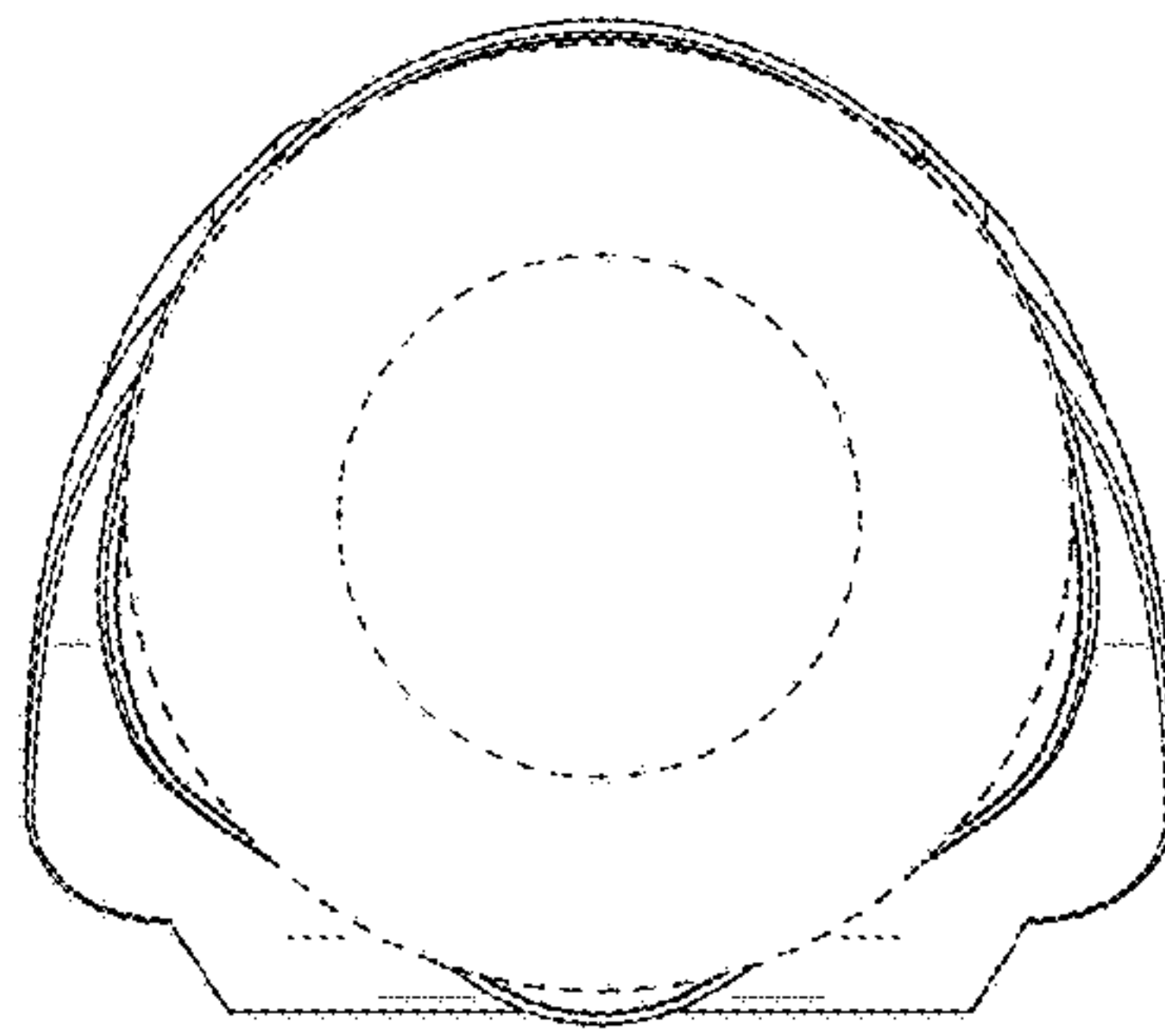


FIG. 7