



US00D858017S

(12) **United States Design Patent** (10) **Patent No.:** **US D858,017 S**
Leckrone et al. (45) **Date of Patent:** **** Aug. 27, 2019**

(54) **DECONTAMINATION APPLICATOR**

(71) Applicant: **TOMI Environmental Solutions, Inc.**,
Beverly Hills, CA (US)

(72) Inventors: **Eric Patrick Leckrone**, Etters, PA
(US); **Elliott David Price**, Red Lion,
PA (US)

(73) Assignee: **TOMI ENVIRONMENTAL
SOLUTIONS, INC.**, Beverly Hills, CA
(US)

(**) Term: **15 Years**

(21) Appl. No.: **29/679,664**

(22) Filed: **Feb. 8, 2019**

Related U.S. Application Data

(63) Continuation-in-part of application No. 29/585,261,
filed on Nov. 22, 2016, now Pat. No. Des. 844,911.

(51) **LOC (12) Cl.** **15-05**

(52) **U.S. Cl.**
USPC **D32/17**

(58) **Field of Classification Search**
USPC D32/1, 15-16, 17, 21; D23/200, 223;
D15/7
CPC B08B 3/026; B01F 3/0869; A47L 9/06;
A47L 9/0606; A47L 9/062; A47L 9/0633;
A47L 9/0693; A47L 11/4086; A47L
11/30; A47L 7/009; A47L 7/0009; A47L
5/28; A47L 5/36; A47L 13/225; A47L
13/30; A47L 13/20; A47L 13/12; A47L
13/16; A47L 11/4044

See application file for complete search history.

(56) **References Cited**

U.S. PATENT DOCUMENTS

3,543,787	A *	12/1970	Tepper	B08B 3/026 137/266
5,868,320	A *	2/1999	Laabs	B08B 3/026 134/123
7,100,635	B1 *	9/2006	Wagner	B01F 3/0869 137/266
D635,314	S *	3/2011	Nelson	D32/15
D685,541	S *	7/2013	Sebor	D32/15
D733,686	S *	7/2015	Harris	D32/15
D813,474	S *	3/2018	Holtby	D32/15

* cited by examiner

Primary Examiner — Michelle E. Wilson

(74) *Attorney, Agent, or Firm* — Morgan, Lewis &
Bockius LLP

(57) **CLAIM**

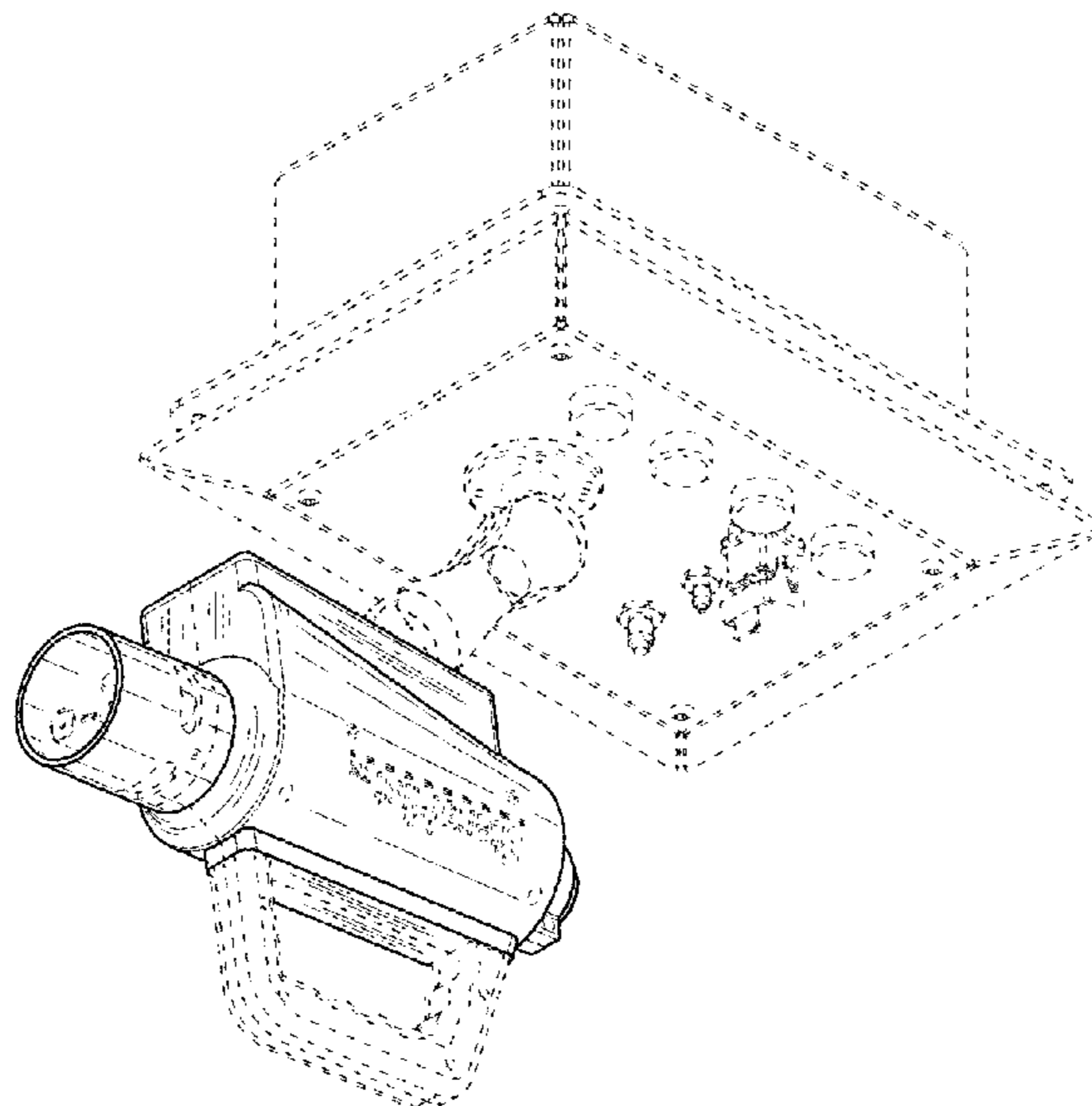
The ornamental design for a decontamination applicator, as
shown and described.

DESCRIPTION

FIG. 1 is a front, left-side, bottom, perspective view of a
decontamination applicator showing our new design;
FIG. 2 is a rear, right-side, bottom, perspective view thereof;
FIG. 3 is a front elevational view thereof;
FIG. 4 is a rear elevational view thereof;
FIG. 5 is a left-side elevational view thereof;
FIG. 6 is a right-side elevational view thereof;
FIG. 7 is a top plan view thereof;
FIG. 8 is a top plan view thereof with the optional ceiling
box removed for clarity; and,
FIG. 9 is a bottom plan view thereof.

The broken lines immediately adjacent the shaded areas
represent the bounds of the claimed design while all other
broken lines are directed to unclaimed portions of the
decontamination applicator and are for illustrative purposes
only; the broken lines form no part of the claimed design.

1 Claim, 9 Drawing Sheets



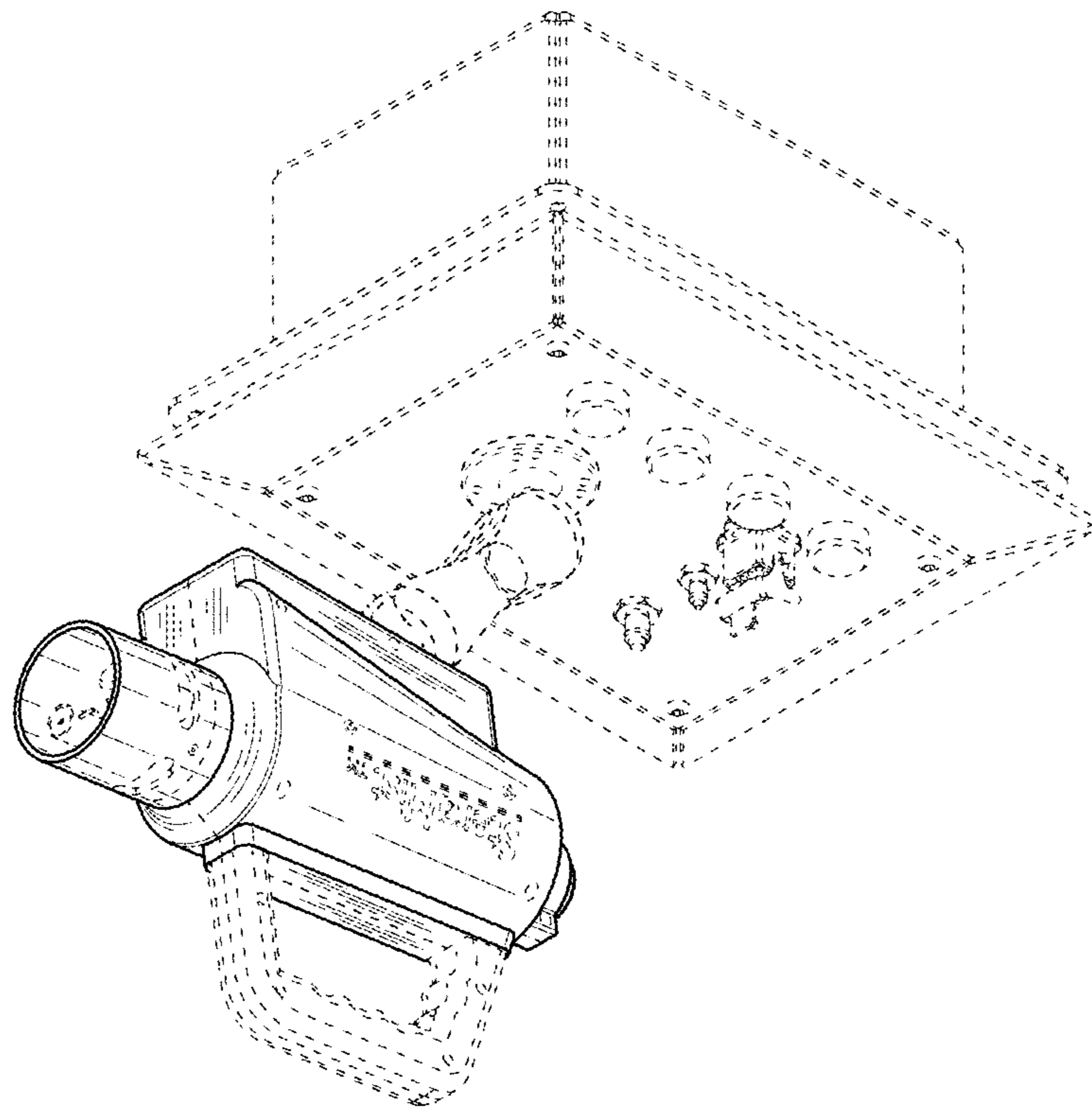


FIG. 1

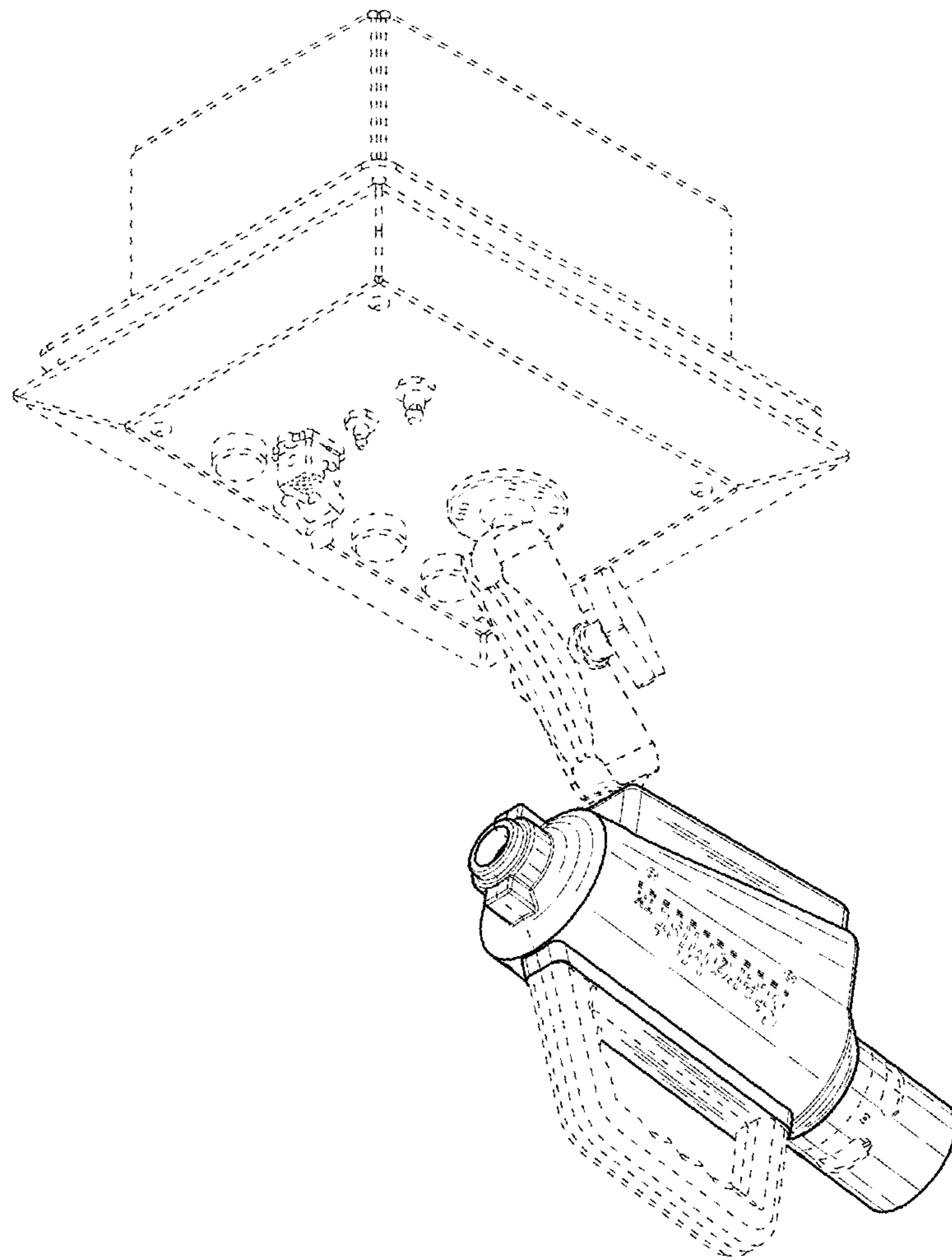


FIG. 2

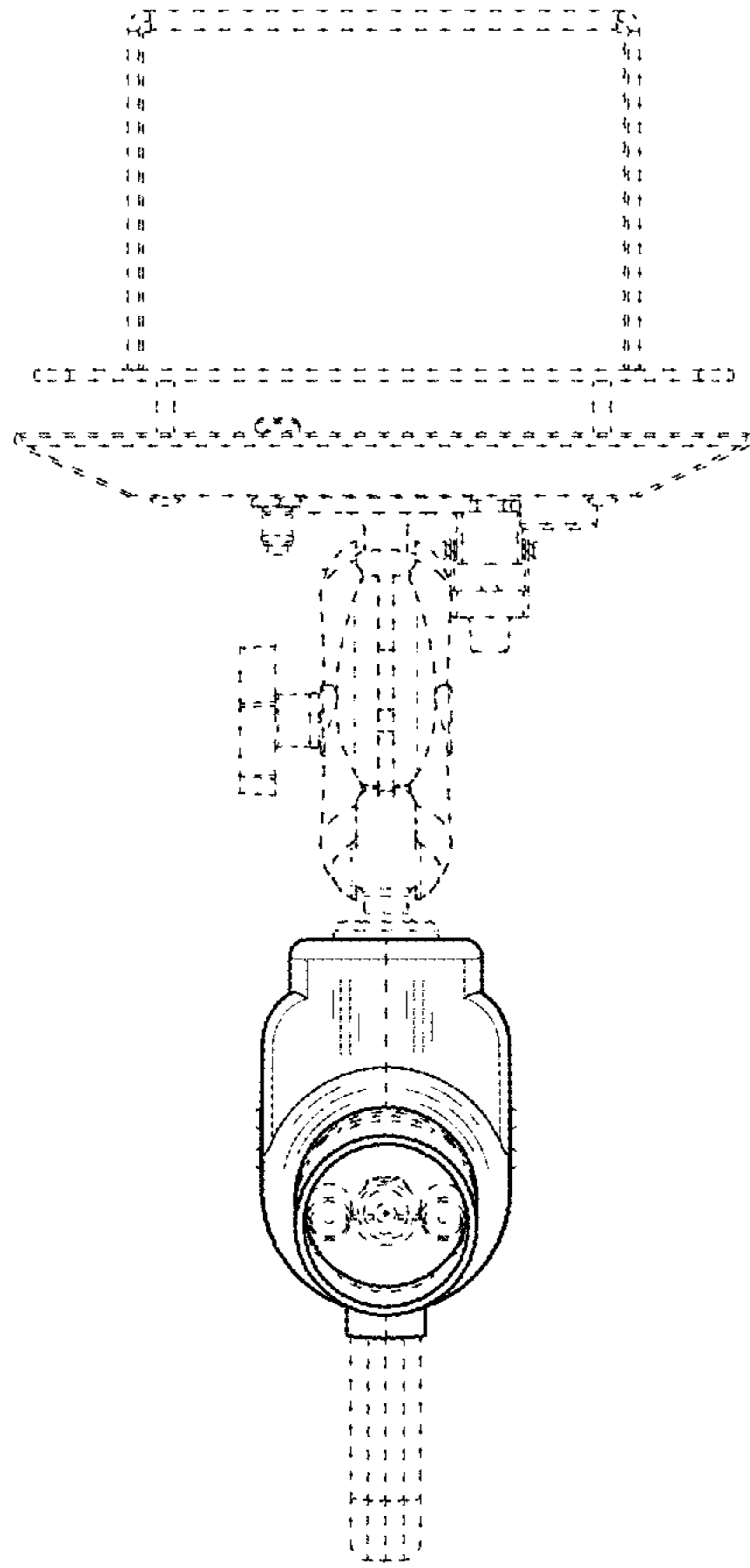


FIG. 3

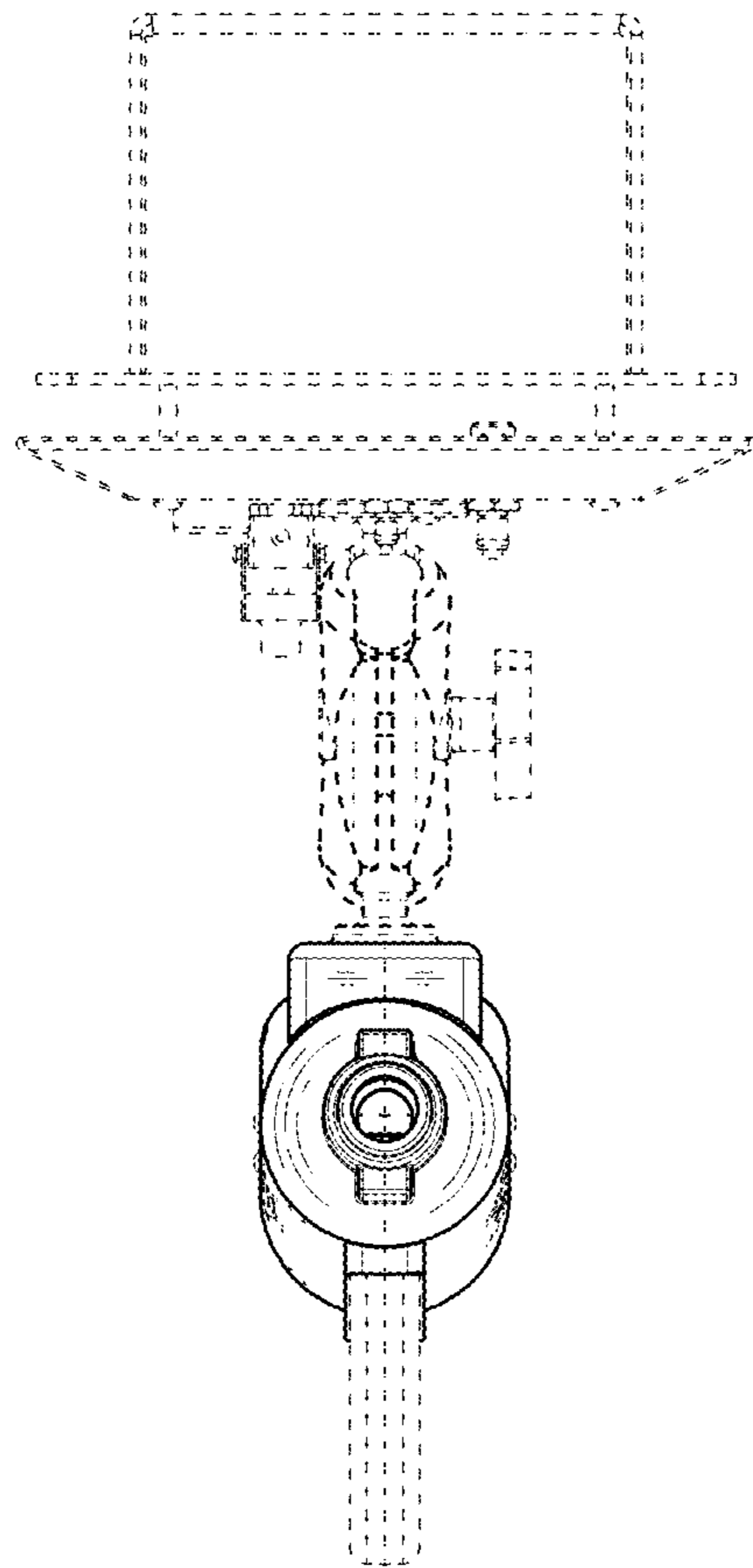


FIG. 4

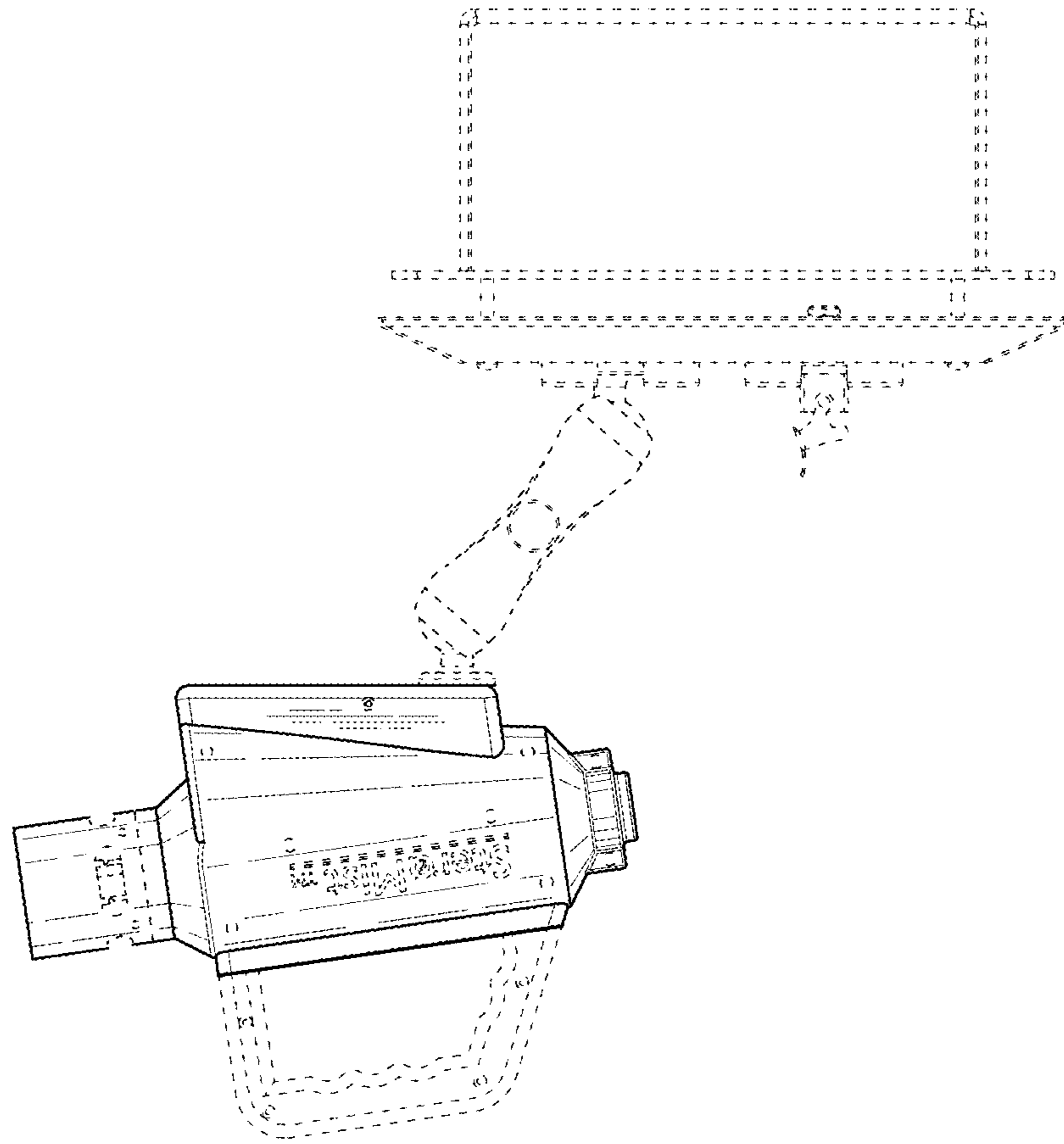


FIG. 5

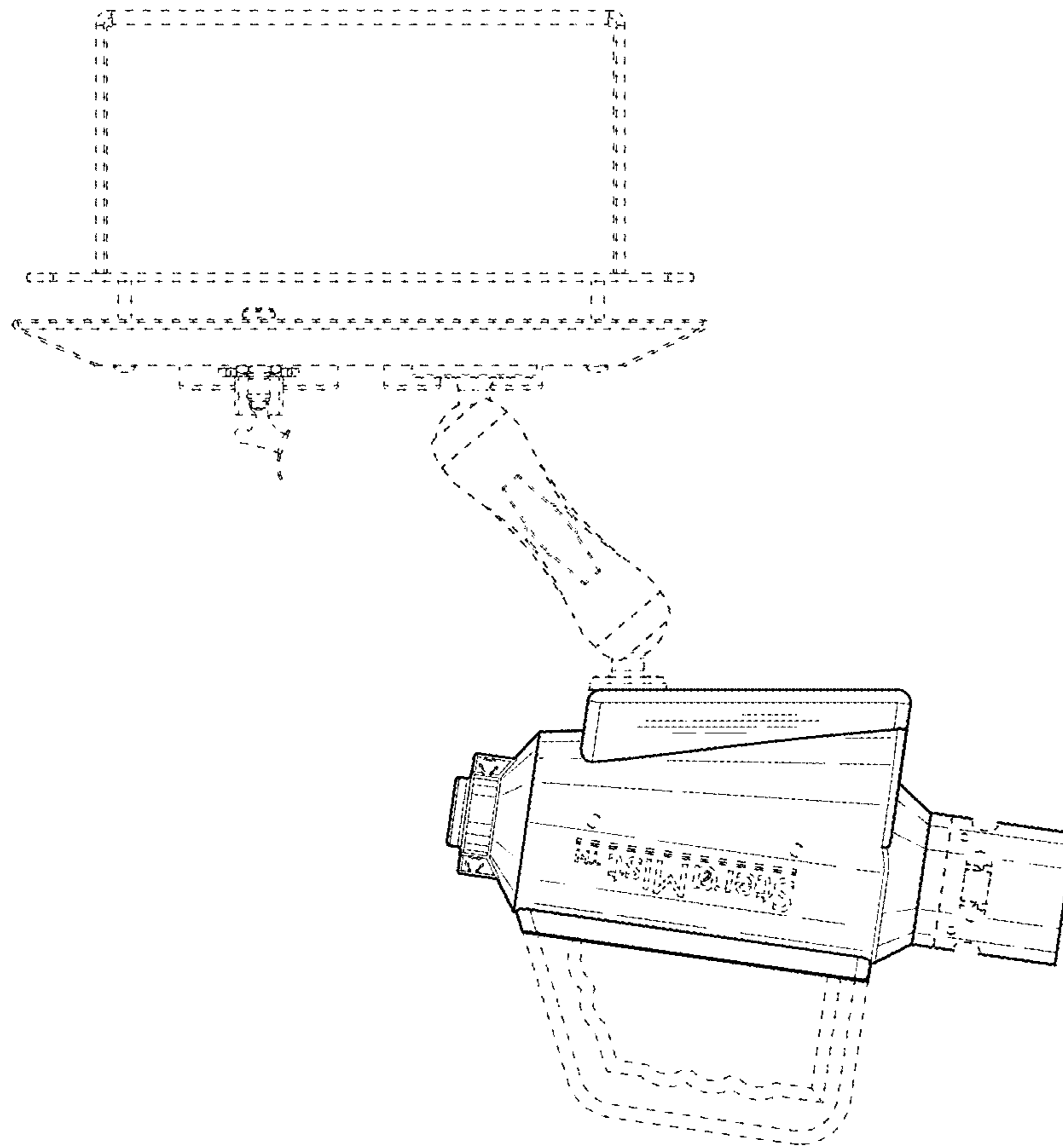


FIG. 6

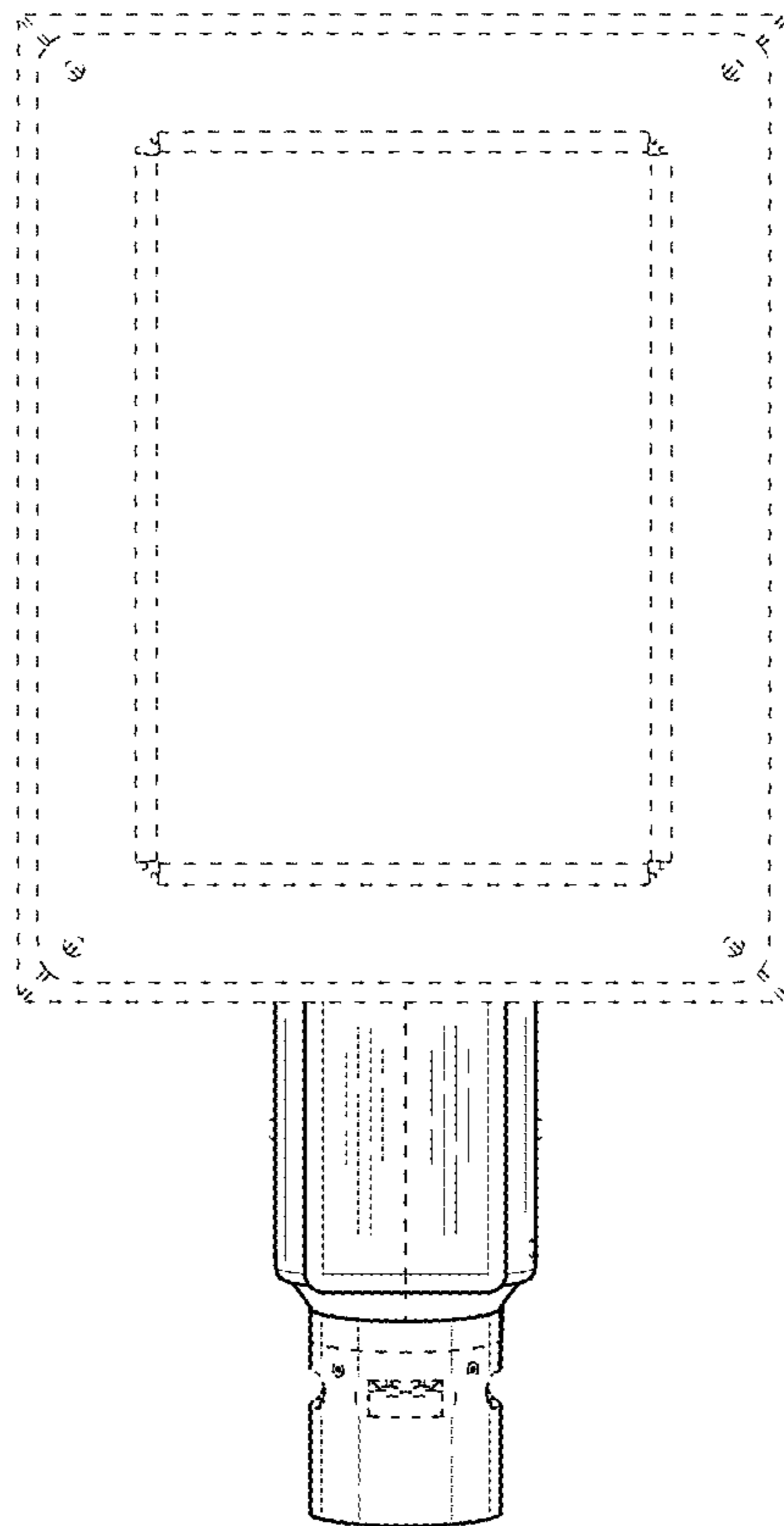


FIG. 7

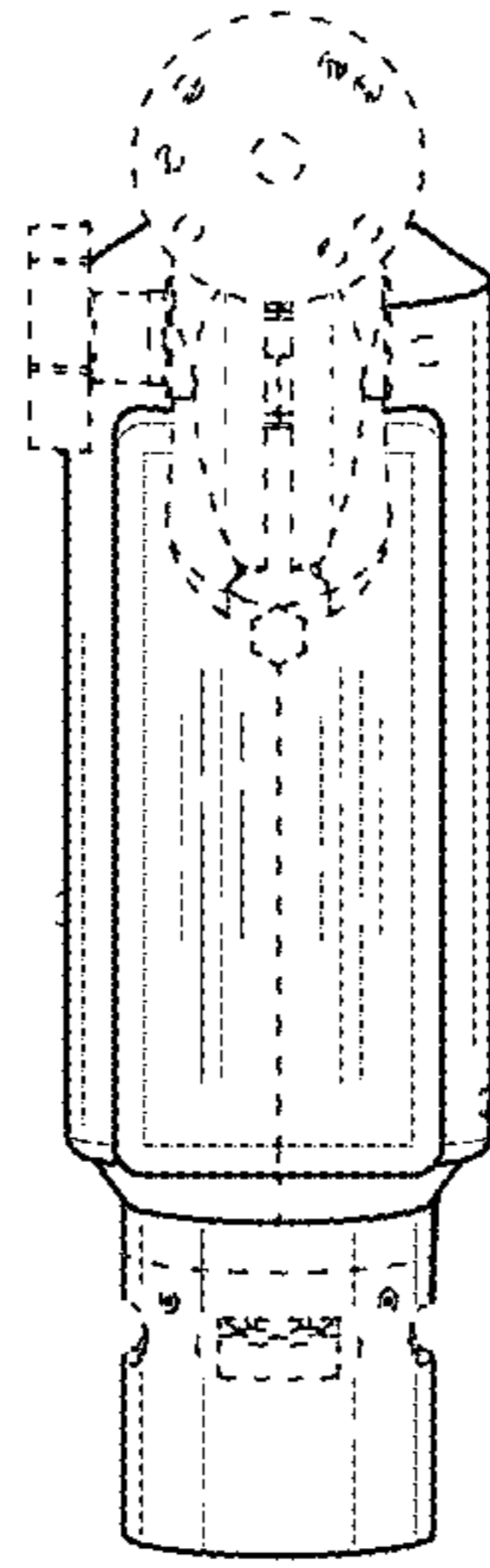


FIG. 8

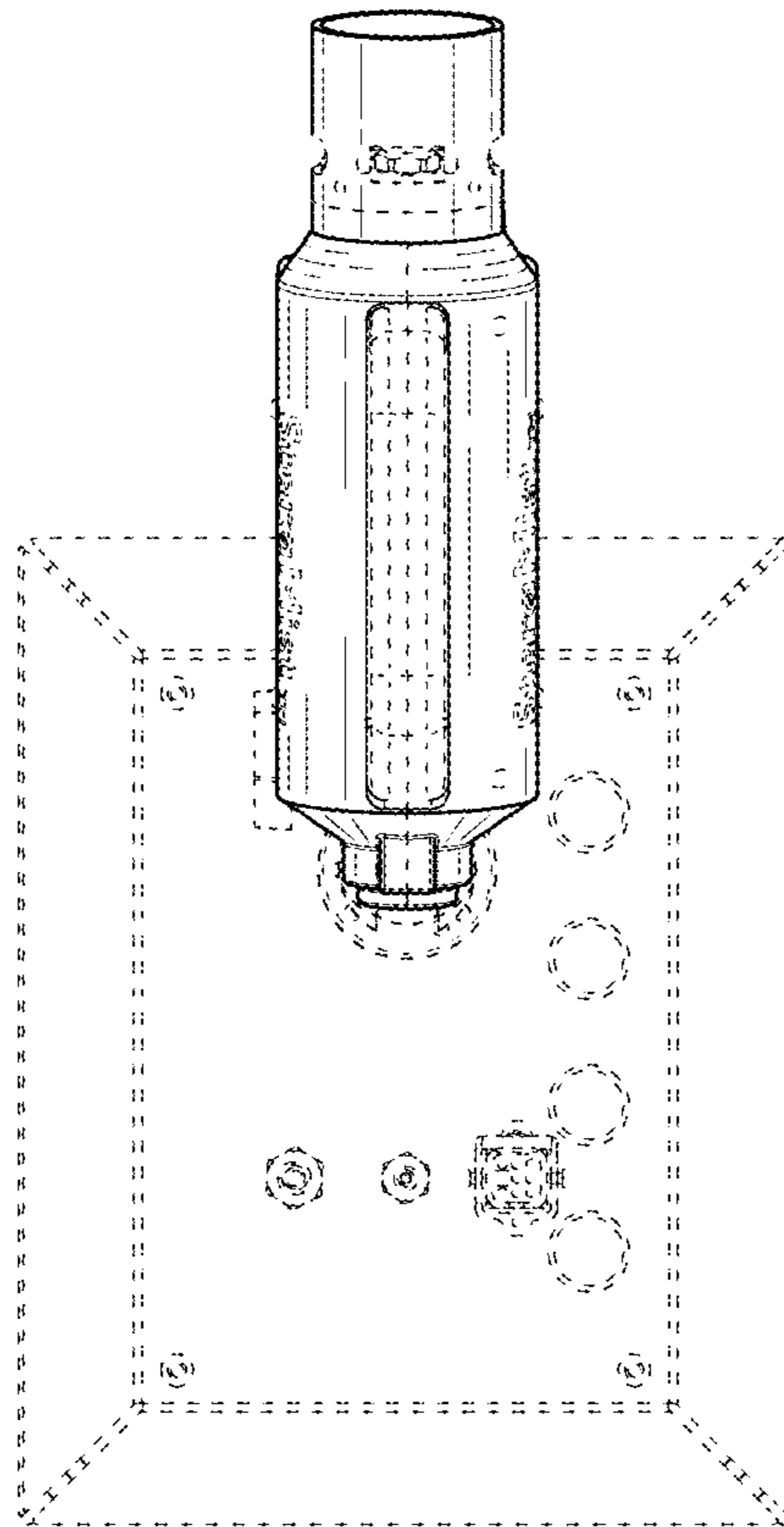


FIG. 9