



US00D858015S

(12) **United States Design Patent**
Bixby et al.

(10) **Patent No.:** **US D858,015 S**

(45) **Date of Patent:** **** Aug. 27, 2019**

(54) **FRONTLOAD DRYING APPLIANCE**

(71) Applicant: **WHIRLPOOL CORPORATION**,
Benton Harbor, MI (US)

(72) Inventors: **Seth E. Bixby**, Stevensville, MI (US);
Richard K. Gresens, St. Joseph, MI
(US); **John W. McConnell**, St. Joseph,
MI (US); **Patrick J. Schiavone**, Benton
Harbor, MI (US); **Samuel B.**
Breneman, St. Joseph, MI (US)

(73) Assignee: **Whirlpool Corporation**, Benton
Harbor, MI (US)

(**) Term: **15 Years**

(21) Appl. No.: **29/634,430**

(22) Filed: **Jan. 22, 2018**

Related U.S. Application Data

(60) Continuation of application No. 29/561,334, filed on
Apr. 15, 2016, now Pat. No. Des. 812,325, which is
a division of application No. 29/499,766, filed on
Aug. 19, 2014, now Pat. No. Des. 758,031.

(51) **LOC (12) Cl.** **15-05**

(52) **U.S. Cl.**
USPC **D32/8**

(58) **Field of Classification Search**

USPC D32/1, 5, 6, 8, 12, 25, 28, 29
CPC D06F 33/02; D06F 39/02; D06F 2204/065;
D06F 25/00; D06F 35/006; D06F 58/00;
D06F 58/02; D06F 58/04; D06F 58/20;
D06F 19/042; D06F 23/04; D06F 39/12;
D06F 39/022

See application file for complete search history.

(56) **References Cited**

U.S. PATENT DOCUMENTS

D484,652 S 12/2003 Clark et al.
D496,507 S 9/2004 Johnson et al.

D521,197 S 5/2006 Kim et al.
D575,464 S 8/2008 Rossetto et al.
D619,314 S 7/2010 Bixby et al.
D661,852 S 6/2012 Song et al.
D699,906 S 2/2014 Choi et al.
D700,410 S 2/2014 Hwang et al.
D701,659 S * 3/2014 Choi D32/8
D703,887 S * 4/2014 Lee D32/8
8,820,861 B2 9/2014 Kim et al.
8,936,330 B2 1/2015 Kim et al.

(Continued)

Primary Examiner — Michelle E. Wilson

(74) *Attorney, Agent, or Firm* — Price Heneveld LLP

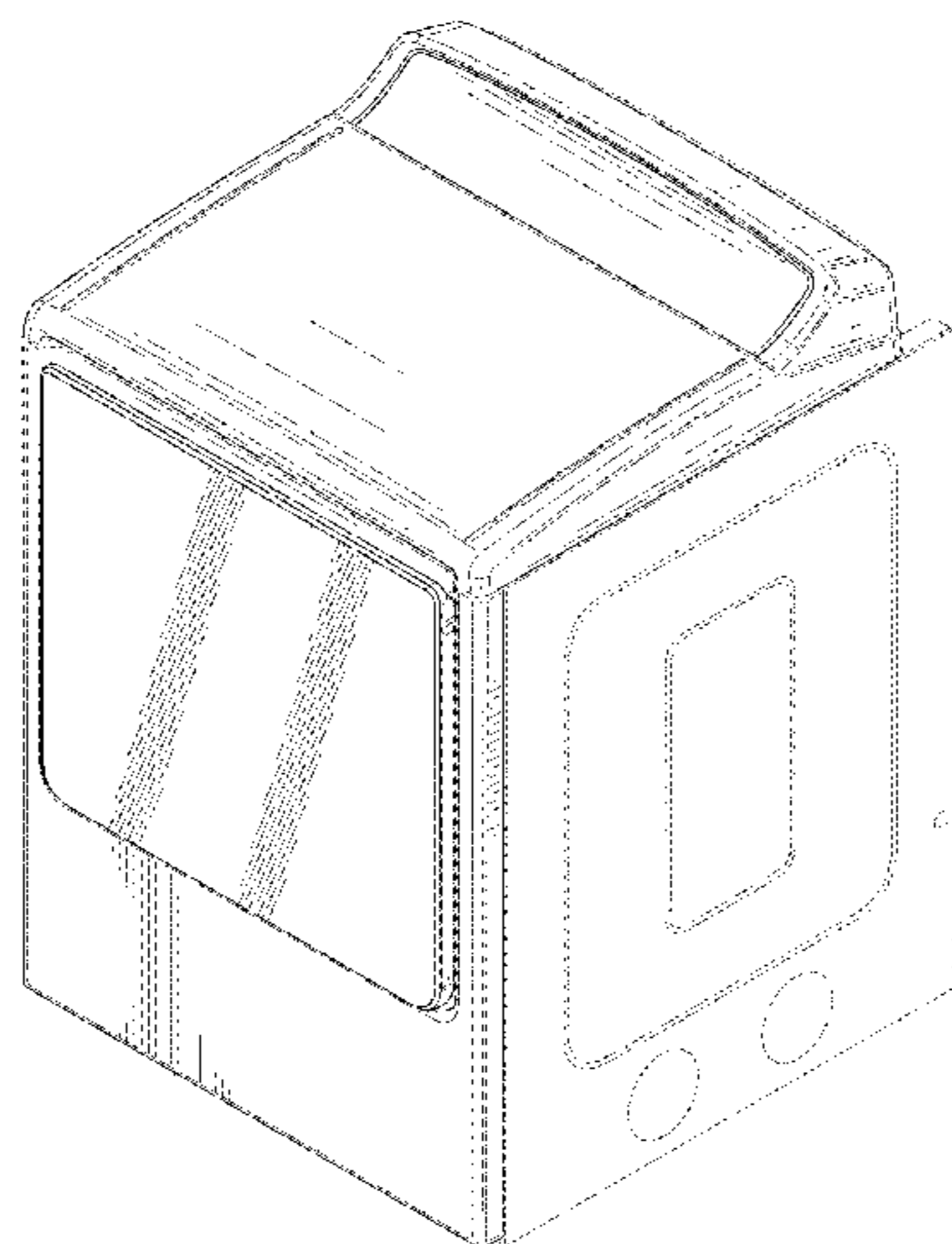
(57) **CLAIM**

We claim the ornamental design for a frontload drying
appliance, as shown and described.

DESCRIPTION

FIG. 1 is a first top perspective view of the frontload drying
appliance of the present invention;
FIG. 2 is a second top perspective view of the frontload
drying appliance of the present invention;
FIG. 3 is a top plan view of the frontload drying appliance
of the present invention;
FIG. 4 is a bottom plan view of the frontload drying
appliance of the present invention;
FIG. 5 is a first side elevation view of the frontload drying
appliance of the present invention;
FIG. 6 is a second side elevation view of the frontload drying
appliance of the present invention;
FIG. 7 is a third side elevation view of the frontload drying
appliance of the present invention; and,
FIG. 8 is a fourth side elevation view of the frontload drying
appliance of the present invention.
The broken lines shown in the figures are for the purpose of
illustrating unclaimed portions of the frontload drying appli-
ance, and form no part of the claimed design.

1 Claim, 8 Drawing Sheets



(56)

References Cited

U.S. PATENT DOCUMENTS

D729,467	S	5/2015	Jee et al.	
D730,597	S	* 5/2015	Jeon	D32/8
9,049,929	B2	6/2015	Kilgore et al.	
D812,323	S	* 3/2018	Bixby	D32/8
D812,325	S	* 3/2018	Bixby	D32/8
D831,907	S	* 10/2018	Bixby	D32/8
D840,614	S	* 2/2019	Bixby	D32/8
2009/0193678	A1	8/2009	Latack et al.	
2013/0193823	A1	8/2013	Cho et al.	

* cited by examiner

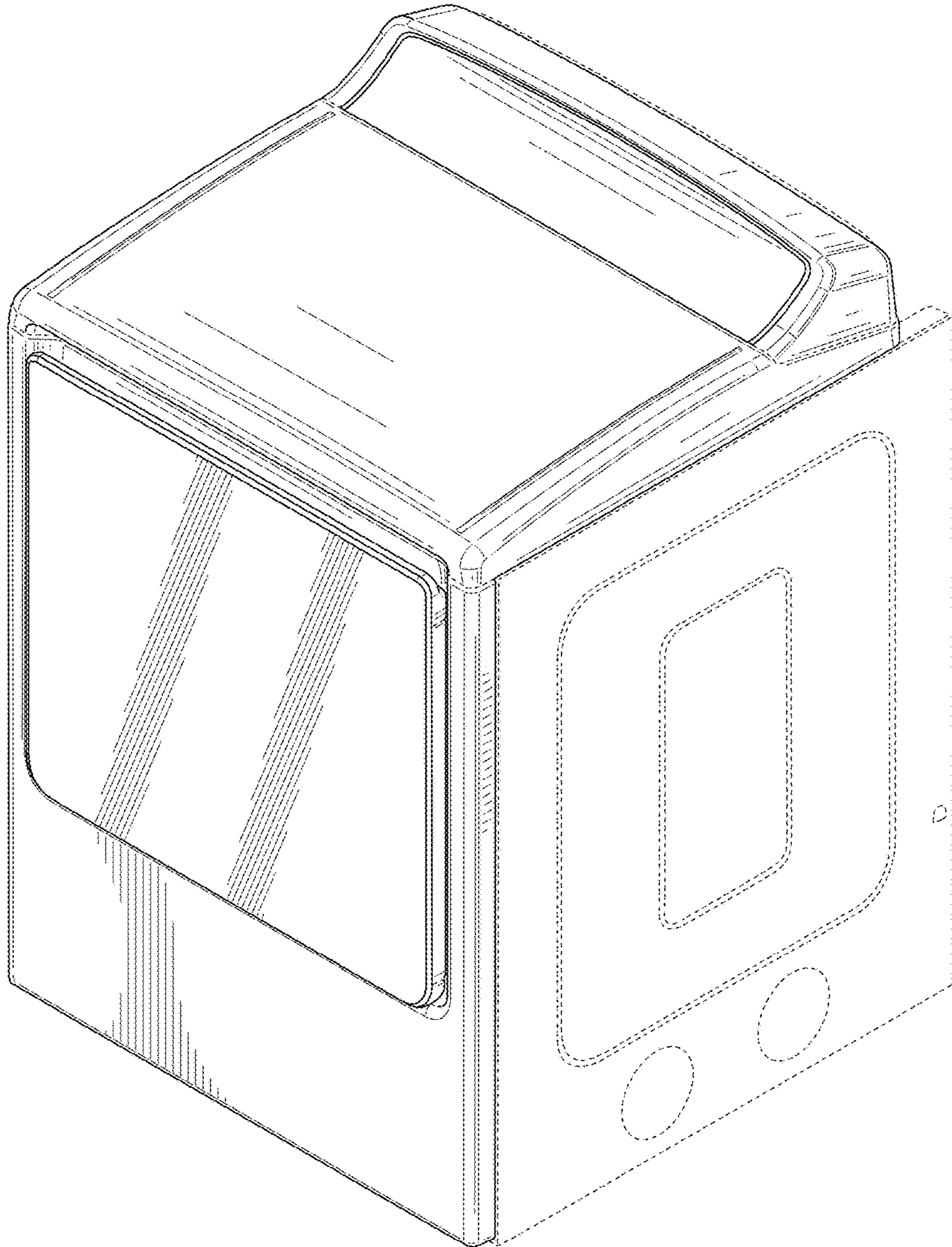


FIG. 1

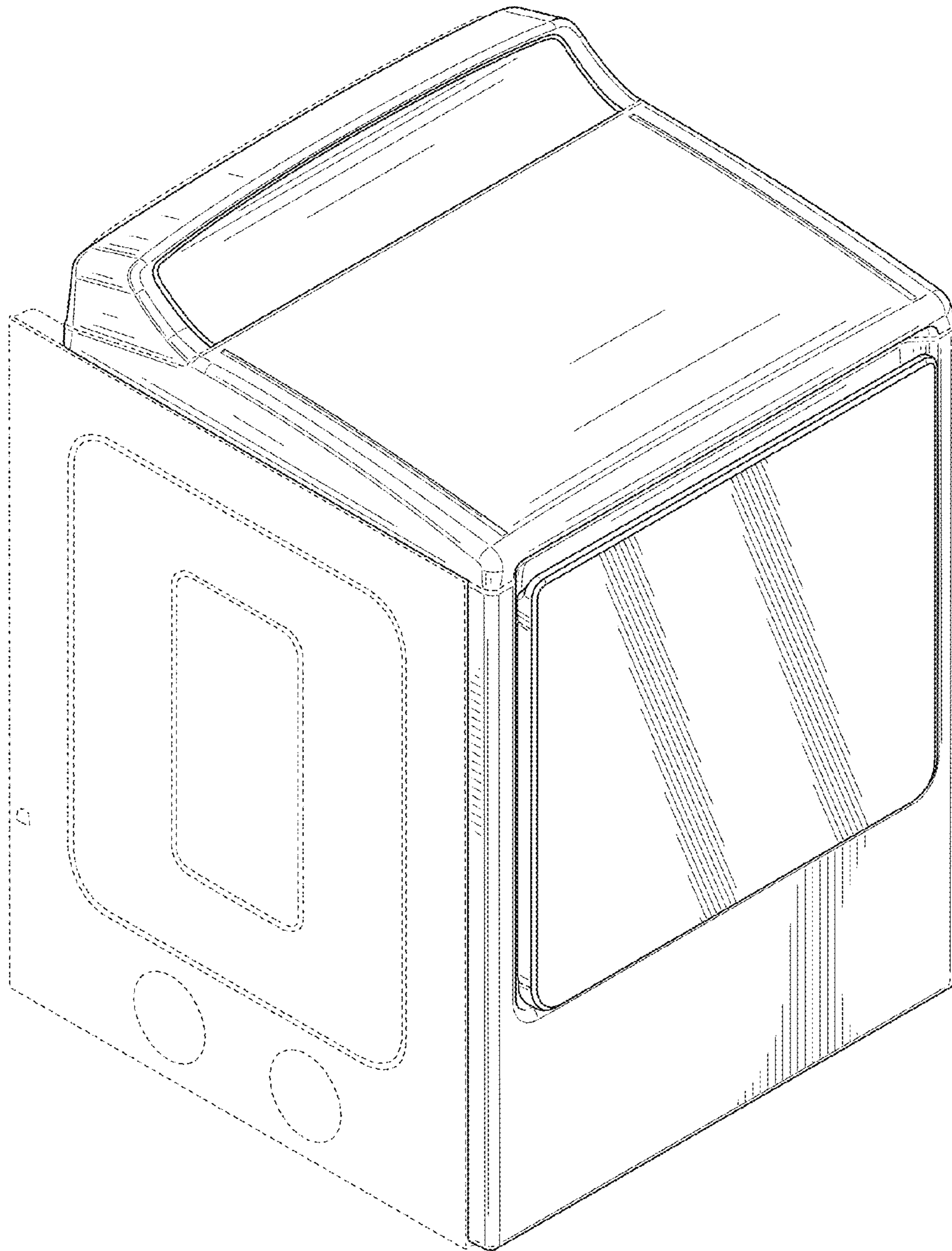


FIG. 2

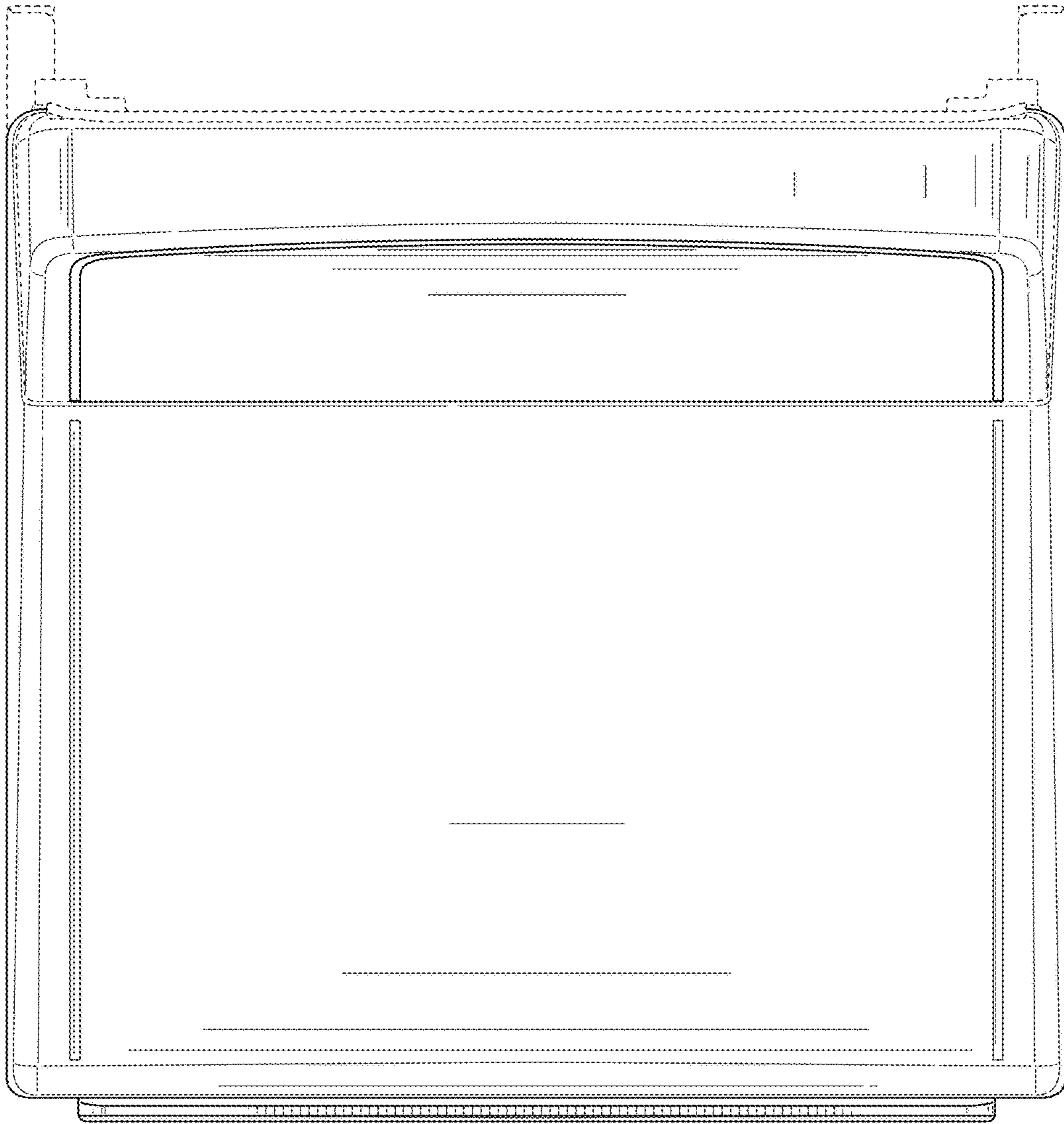


FIG. 3

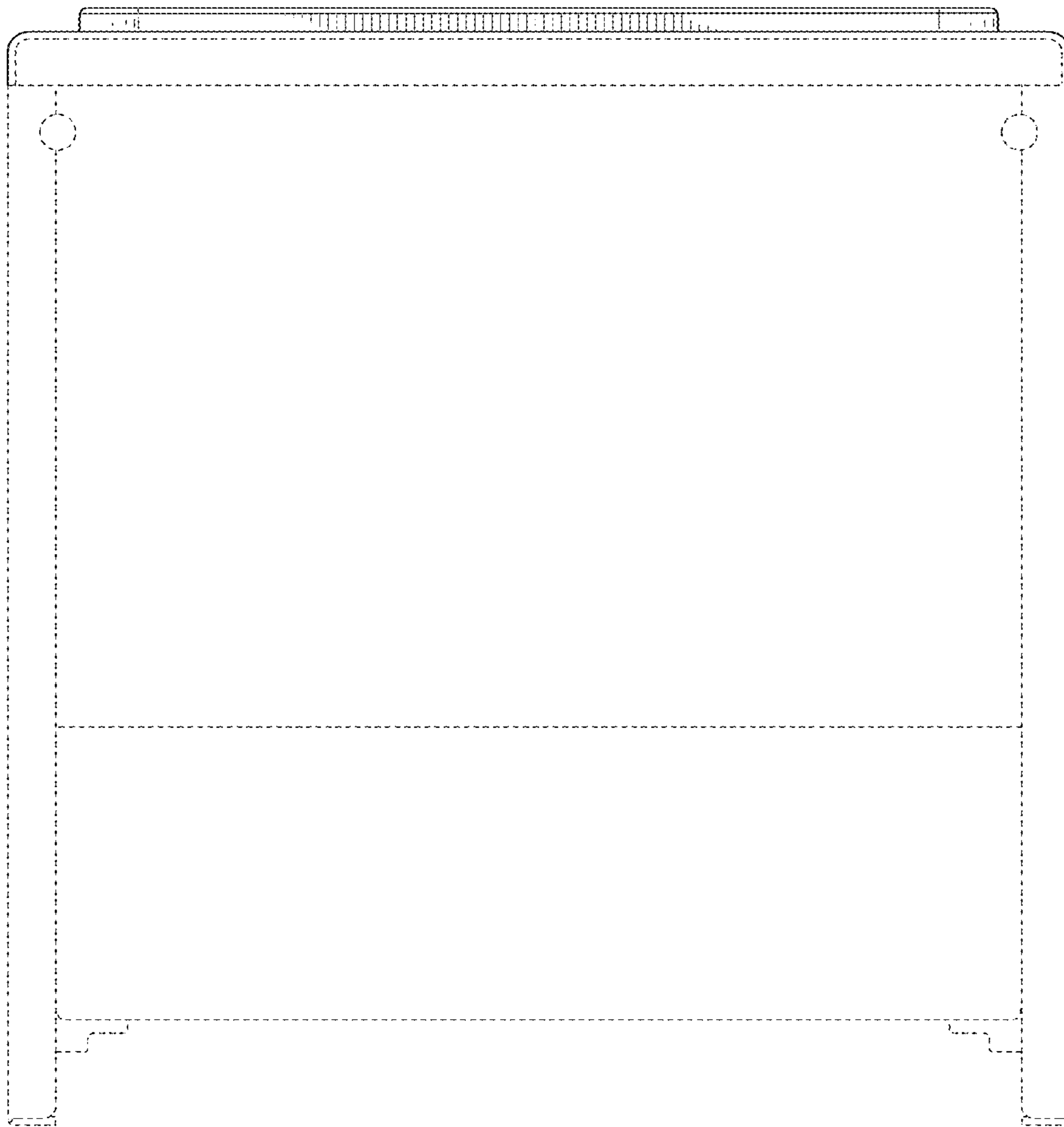


FIG. 4

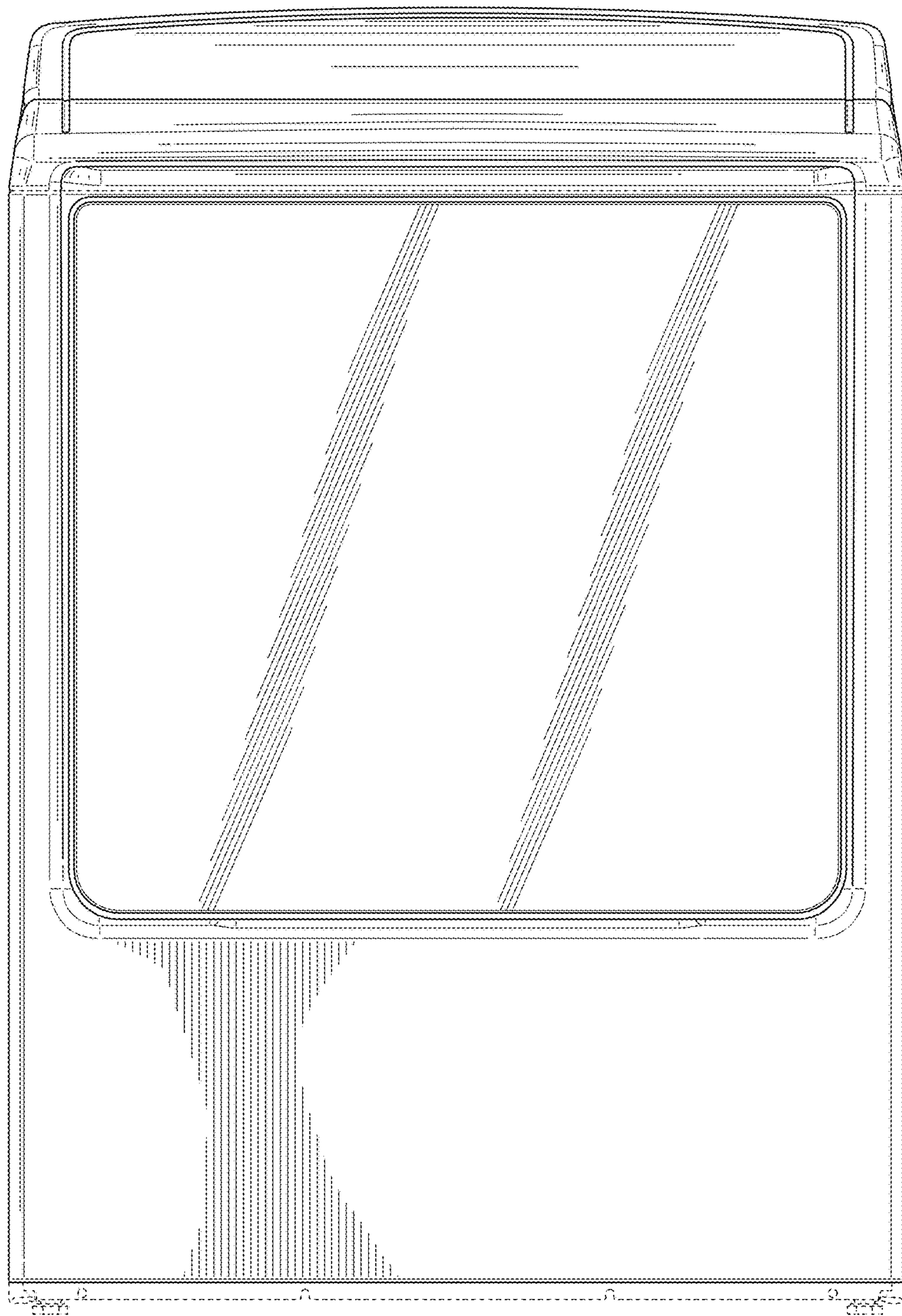


FIG. 5

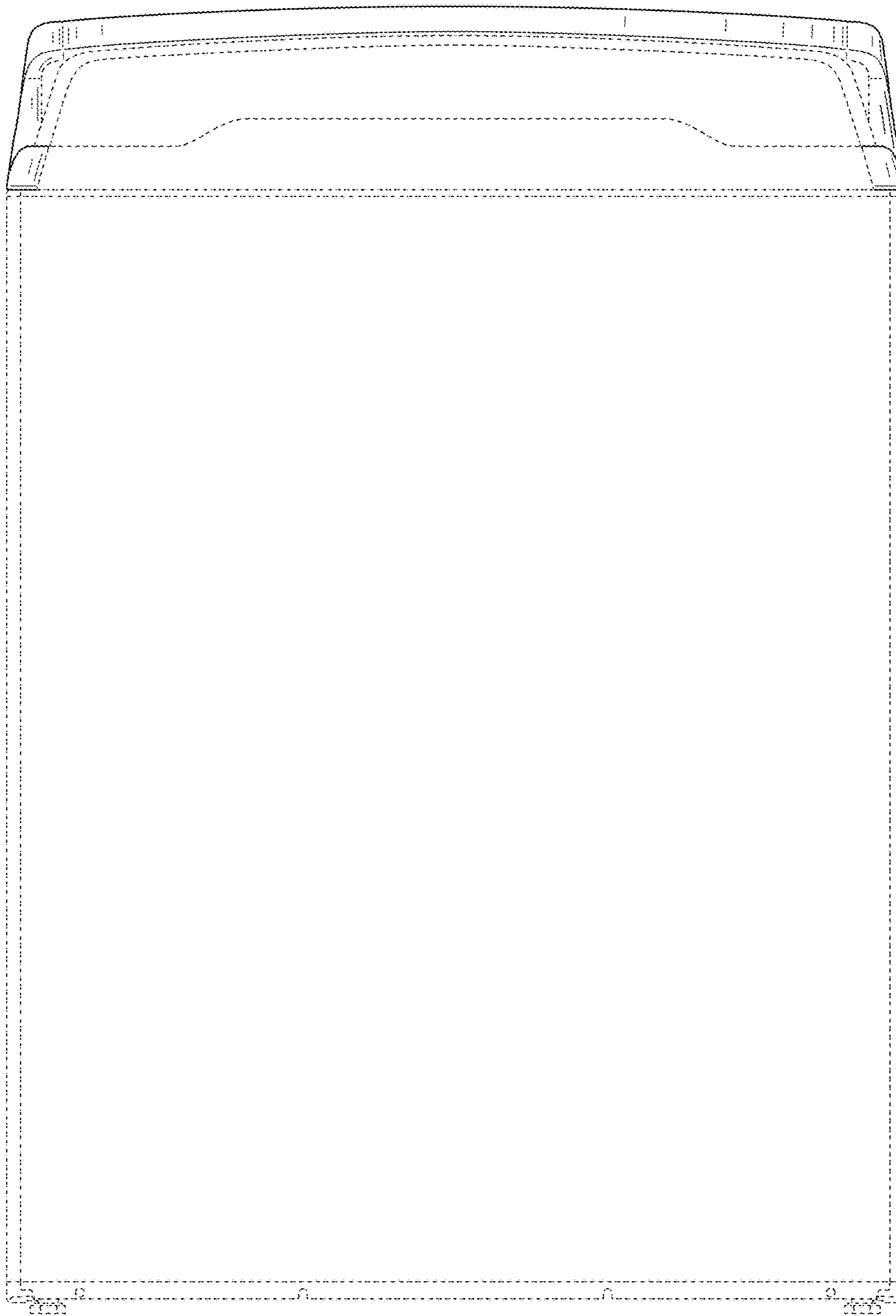


FIG. 6

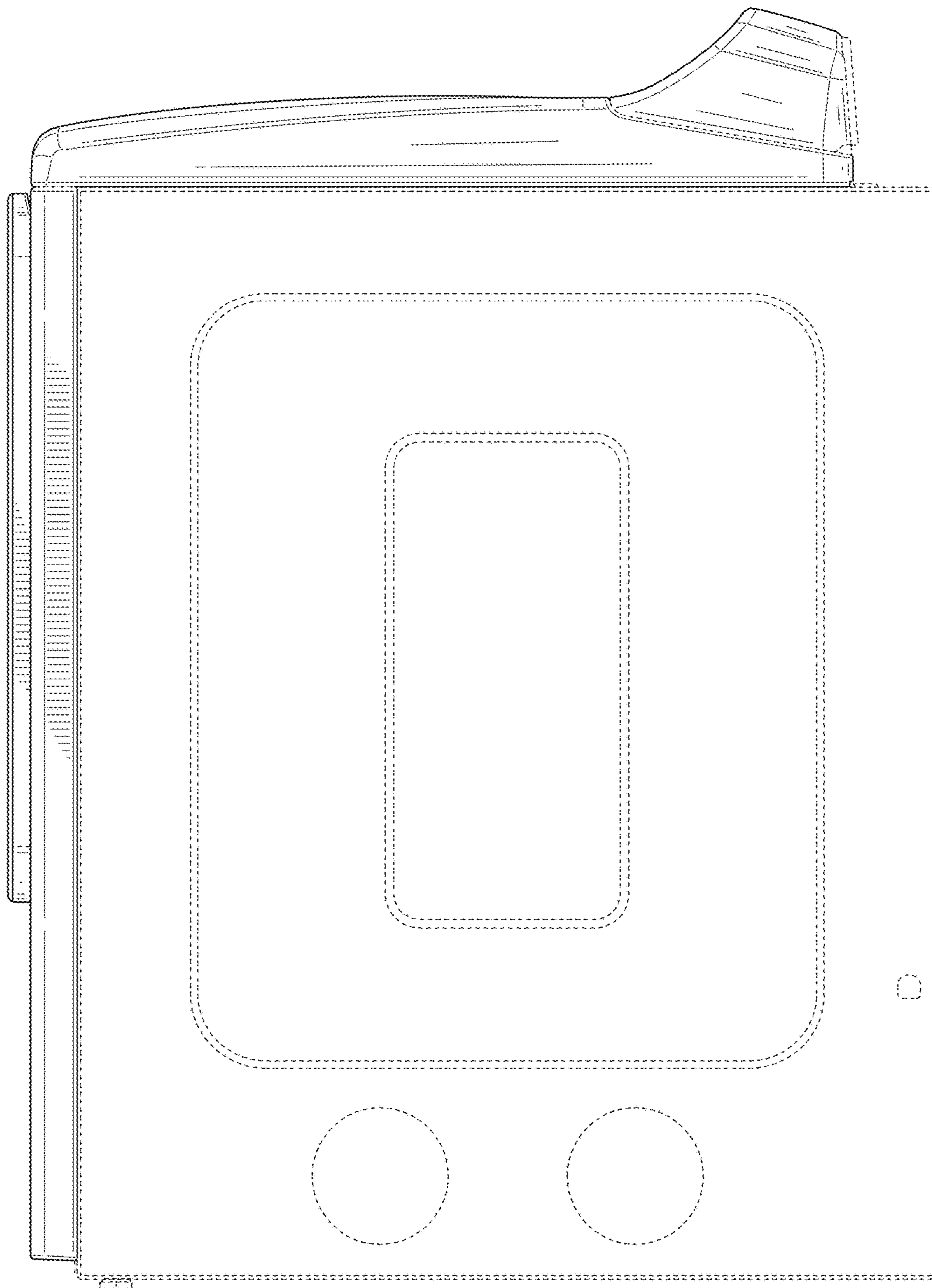


FIG. 7

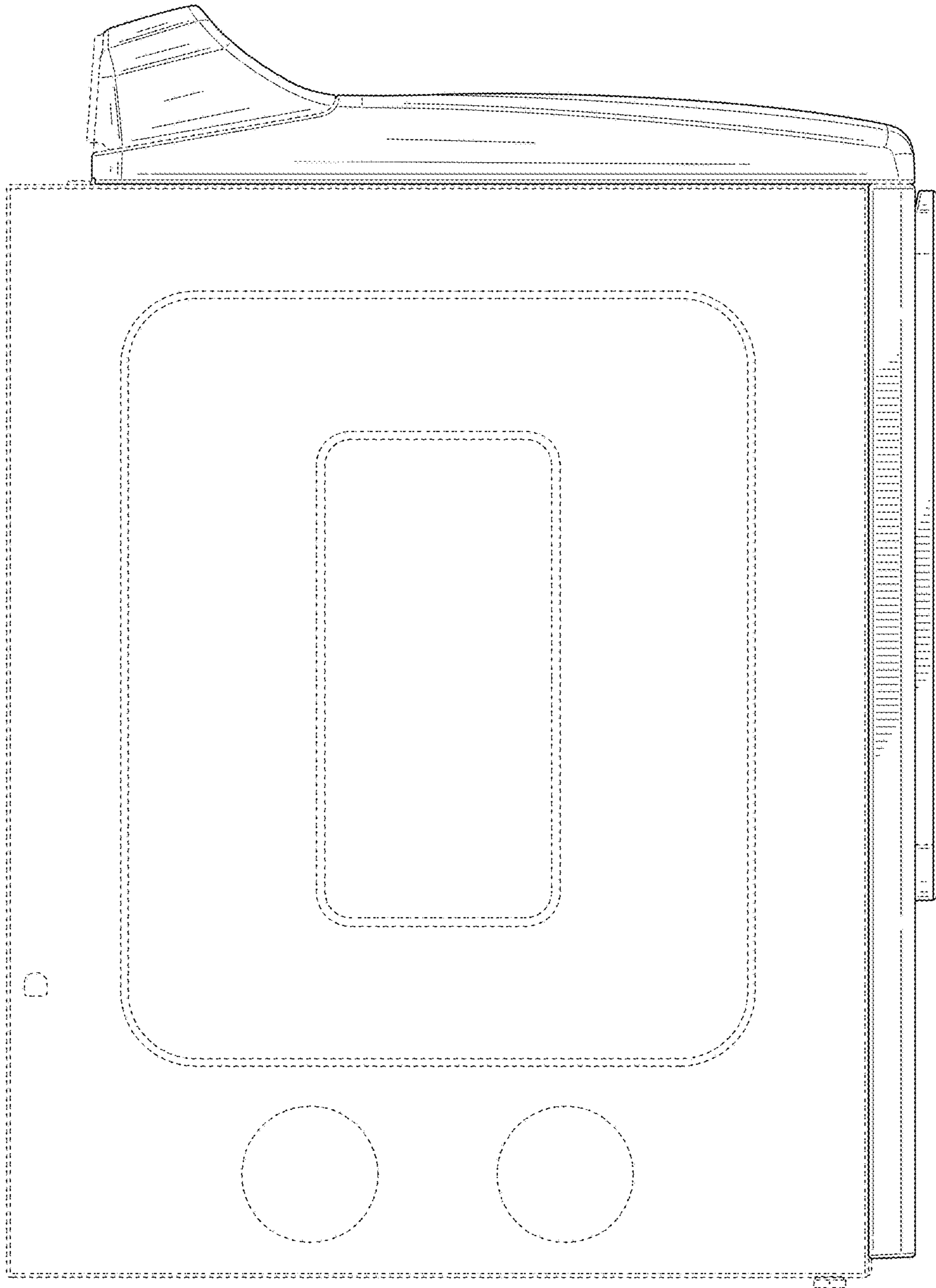


FIG. 8