



US00D858013S

(12) **United States Design Patent** (10) **Patent No.:** **US D858,013 S**  
**Kang et al.** (45) **Date of Patent:** **\*\* Aug. 27, 2019**

- (54) **WASHING MACHINE**
- (71) Applicant: **Samsung Electronics Co., Ltd.**,  
Suwon-si (KR)
- (72) Inventors: **Yoonjong Kang**, Seoul (KR); **Yuna Park**, Seoul (KR)
- (73) Assignee: **Samsung Electronics Co., Ltd.**,  
Suwon-si (KR)
- (\*\*) Term: **15 Years**
- (21) Appl. No.: **29/666,229**
- (22) Filed: **Oct. 11, 2018**

D489,496 S	5/2004	Sneddon	
D503,835 S	4/2005	Oda	
D597,712 S	8/2009	Jeon et al.	
D599,509 S	9/2009	Jeon et al.	
D631,215 S *	1/2011	Song	D32/6
D697,680 S *	1/2014	Hwang	D32/25
D699,907 S *	2/2014	Choi	D32/28
D701,656 S *	3/2014	Choi	D32/6
D732,762 S	6/2015	Joo et al.	
D733,372 S *	6/2015	Song	D32/6
D738,582 S	9/2015	Chung et al.	
D753,889 S *	4/2016	Jeon	D32/25
D760,967 S *	7/2016	Joo	D32/6
D761,502 S *	7/2016	Joo	D32/6
D762,027 S *	7/2016	Choi	D32/25

(Continued)

**Related U.S. Application Data**

- (63) Continuation of application No. 29/614,684, filed on Aug. 22, 2017, now Pat. No. Des. 833,694, which is a continuation of application No. 29/552,091, filed on Jan. 20, 2016, now Pat. No. Des. 798,006.

**Foreign Application Priority Data**

- Jul. 21, 2015 (KR) ..... 30-2015-0036772
- (51) **LOC (12) Cl.** ..... **15-05**
- (52) **U.S. Cl.**  
USPC ..... **D32/6**
- (58) **Field of Classification Search**  
USPC ..... D32/1, 6, 5, 8, 11, 25, 28, 39, 35, 67;  
68/3 R, 5 R, 11, 13  
CPC ..... D06F 39/00; D06F 21/06; D06F 21/08;  
D06F 21/00  
See application file for complete search history.

**References Cited**

**U.S. PATENT DOCUMENTS**

D313,679 S	1/1991	Sakamoto
D422,387 S	4/2000	Mutoh et al.

**FOREIGN PATENT DOCUMENTS**

EM	000459938-0007	6/2008
KR	30-2014-0063064	6/2015

*Primary Examiner* — Janice Hallmark  
*Assistant Examiner* — Rebecca Tsehaye  
 (74) *Attorney, Agent, or Firm* — NSIP Law

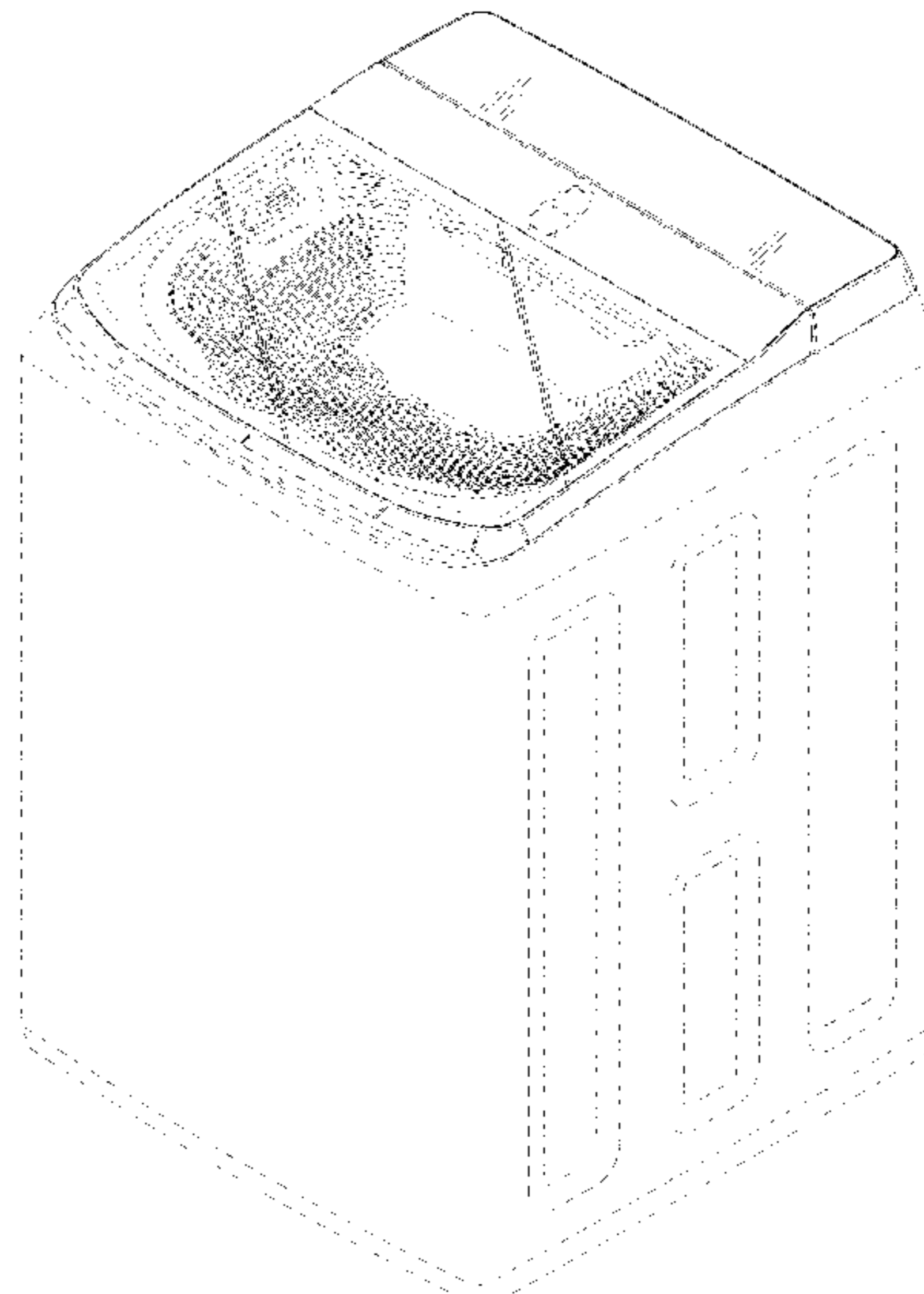
**CLAIM**

We claim the ornamental design for a washing machine, as shown and described.

**DESCRIPTION**

FIG. 1 is a front perspective view of a washing machine showing our new design;  
 FIG. 2 is a front view thereof;  
 FIG. 3 is a rear view thereof;  
 FIG. 4 is a left-side view thereof;  
 FIG. 5 is a right-side view thereof;  
 FIG. 6 is a top view thereof; and,  
 FIG. 7 is a bottom view thereof.  
 The broken lines in the figures show portions of the washing machine which form no part of the claimed design.

**1 Claim, 7 Drawing Sheets**



(56)

**References Cited**

U.S. PATENT DOCUMENTS

D764,121 S *	8/2016	Choi .....	D32/6
D775,437 S *	12/2016	Yoon .....	D32/6
D775,438 S	12/2016	Kang et al.	
D798,006 S *	9/2017	Kang .....	D32/6
D825,867 S *	8/2018	Yoon .....	D32/6
D833,091 S *	11/2018	Ayers .....	D32/6
D833,694 S *	11/2018	Kang .....	D32/6

\* cited by examiner

FIG. 1

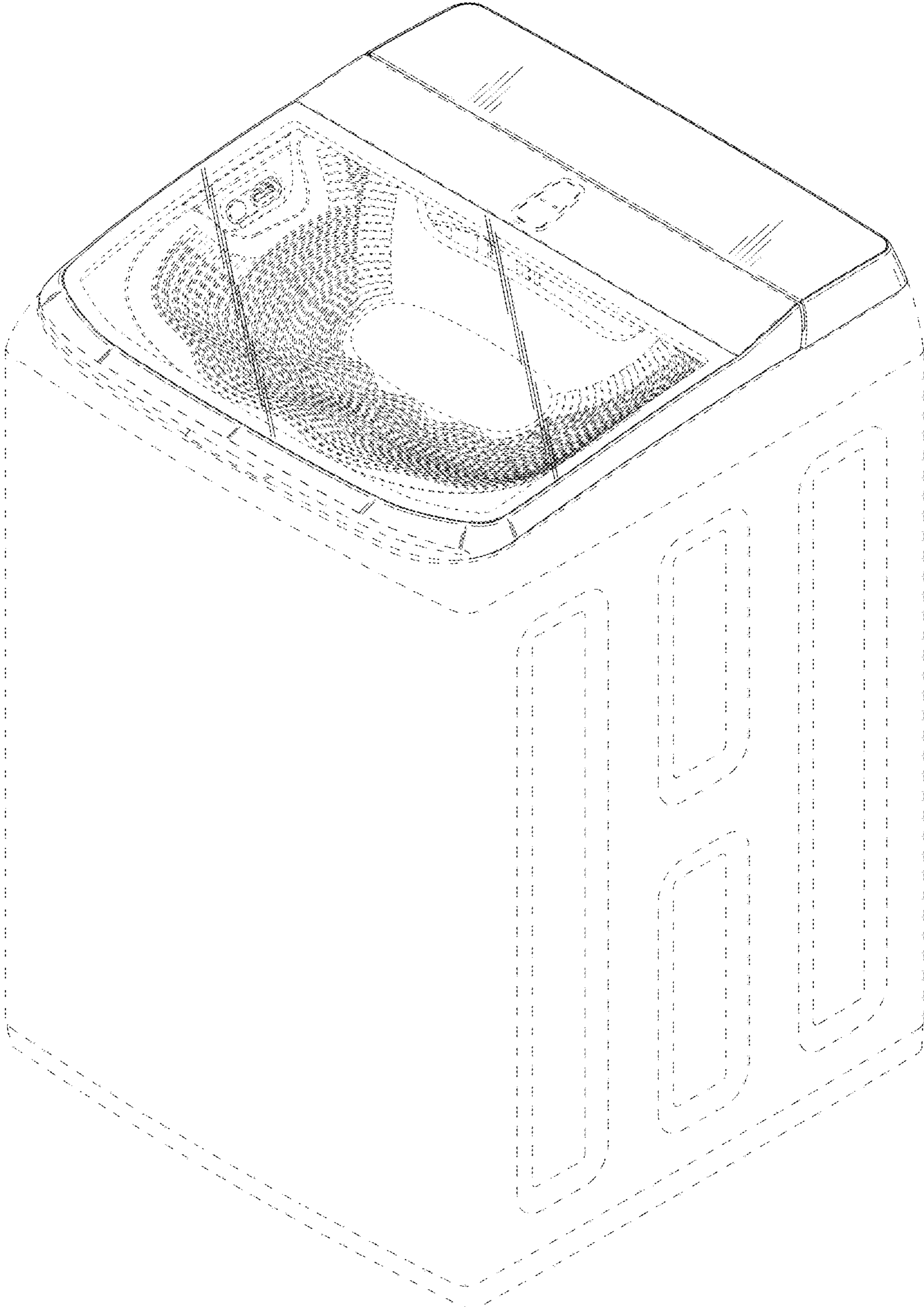


FIG. 2



FIG. 3

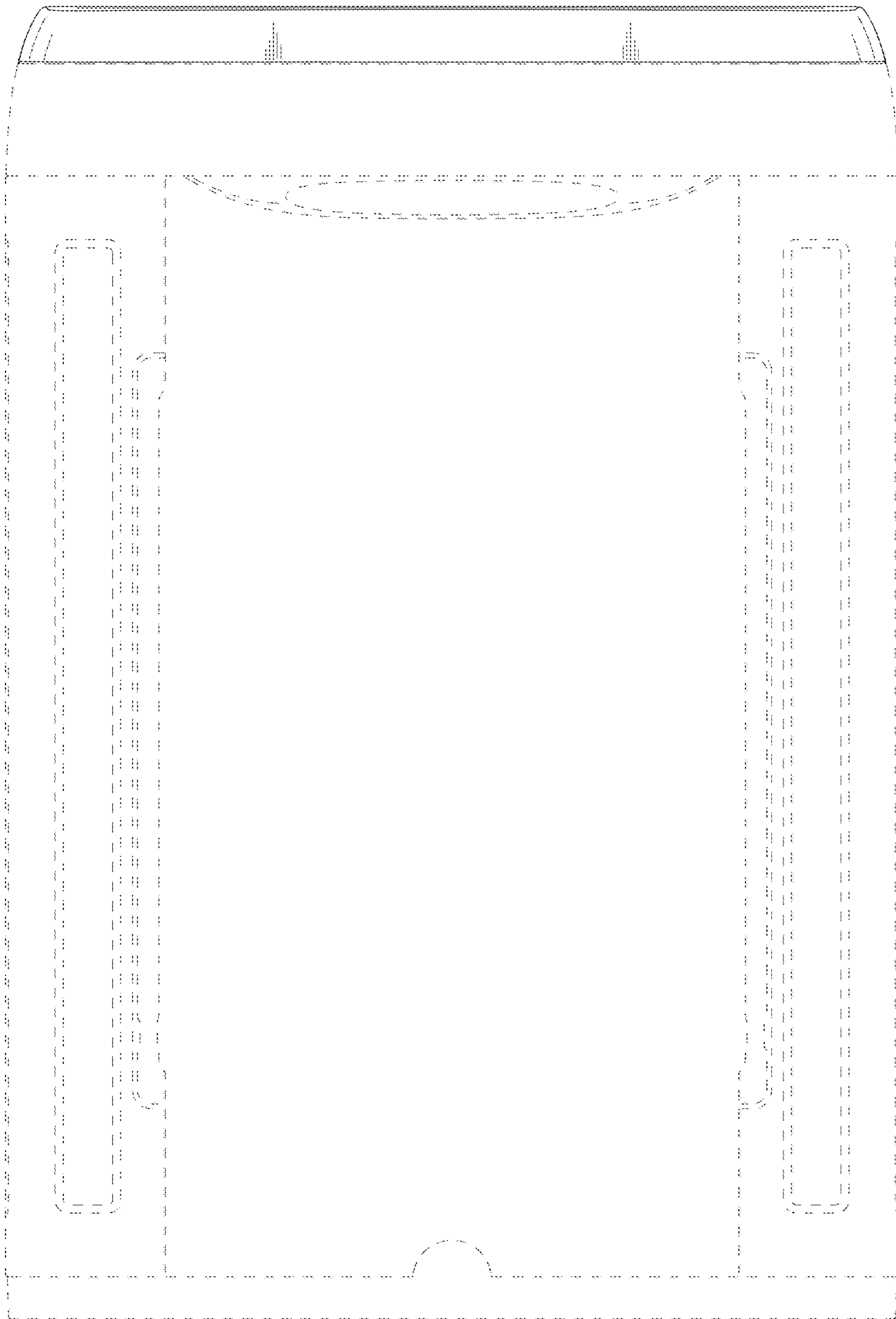


FIG. 4

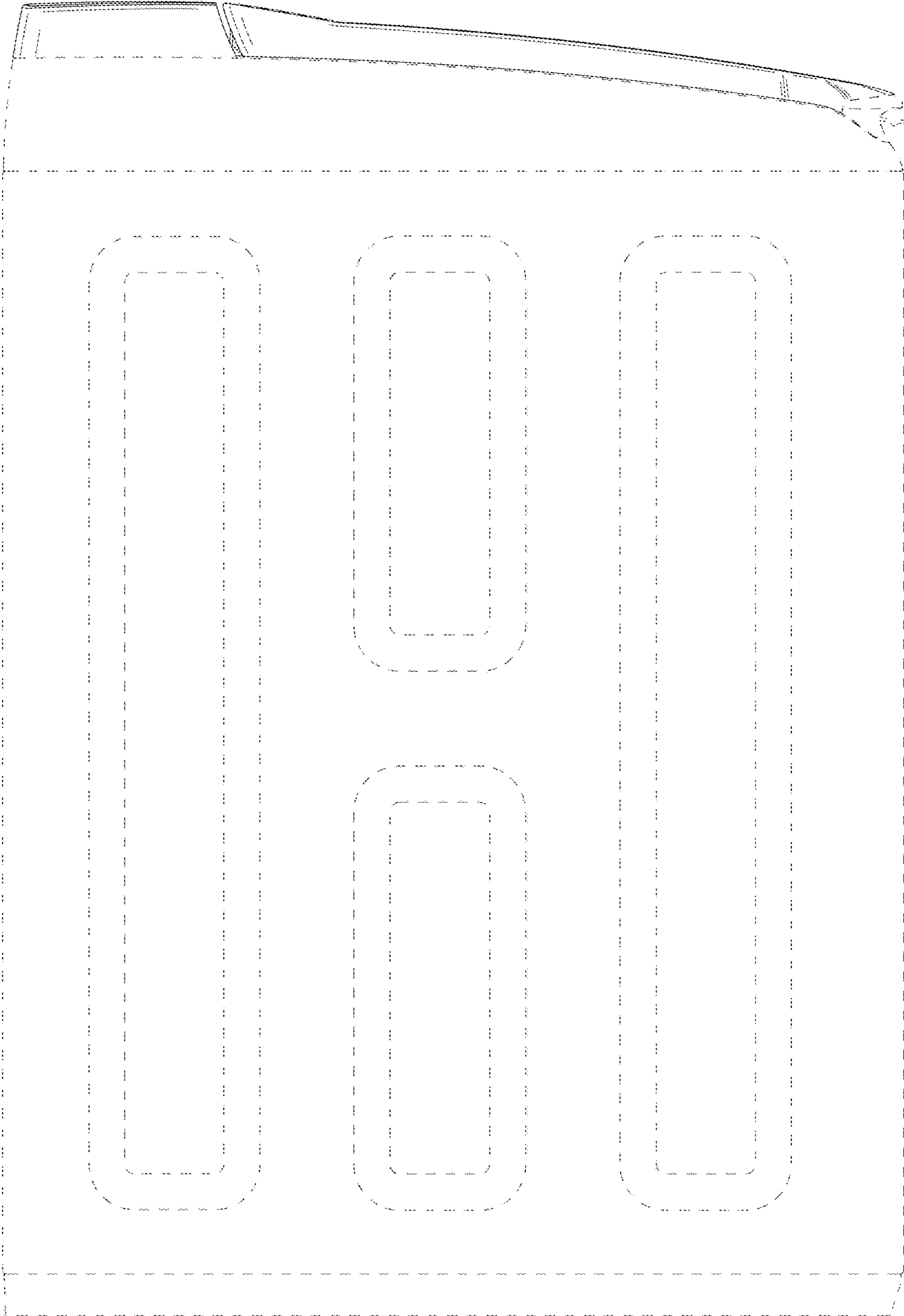


FIG. 5

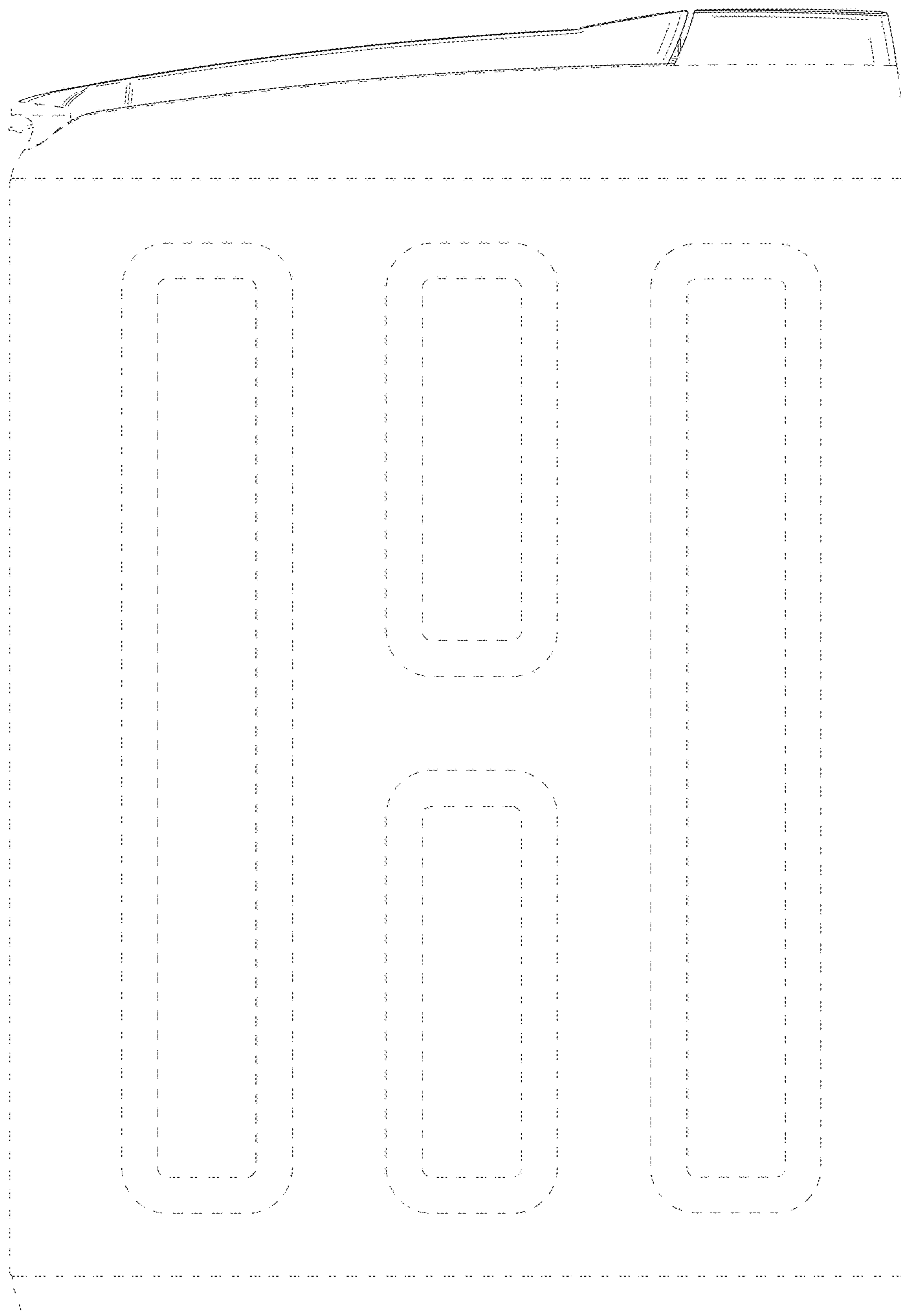


FIG. 6

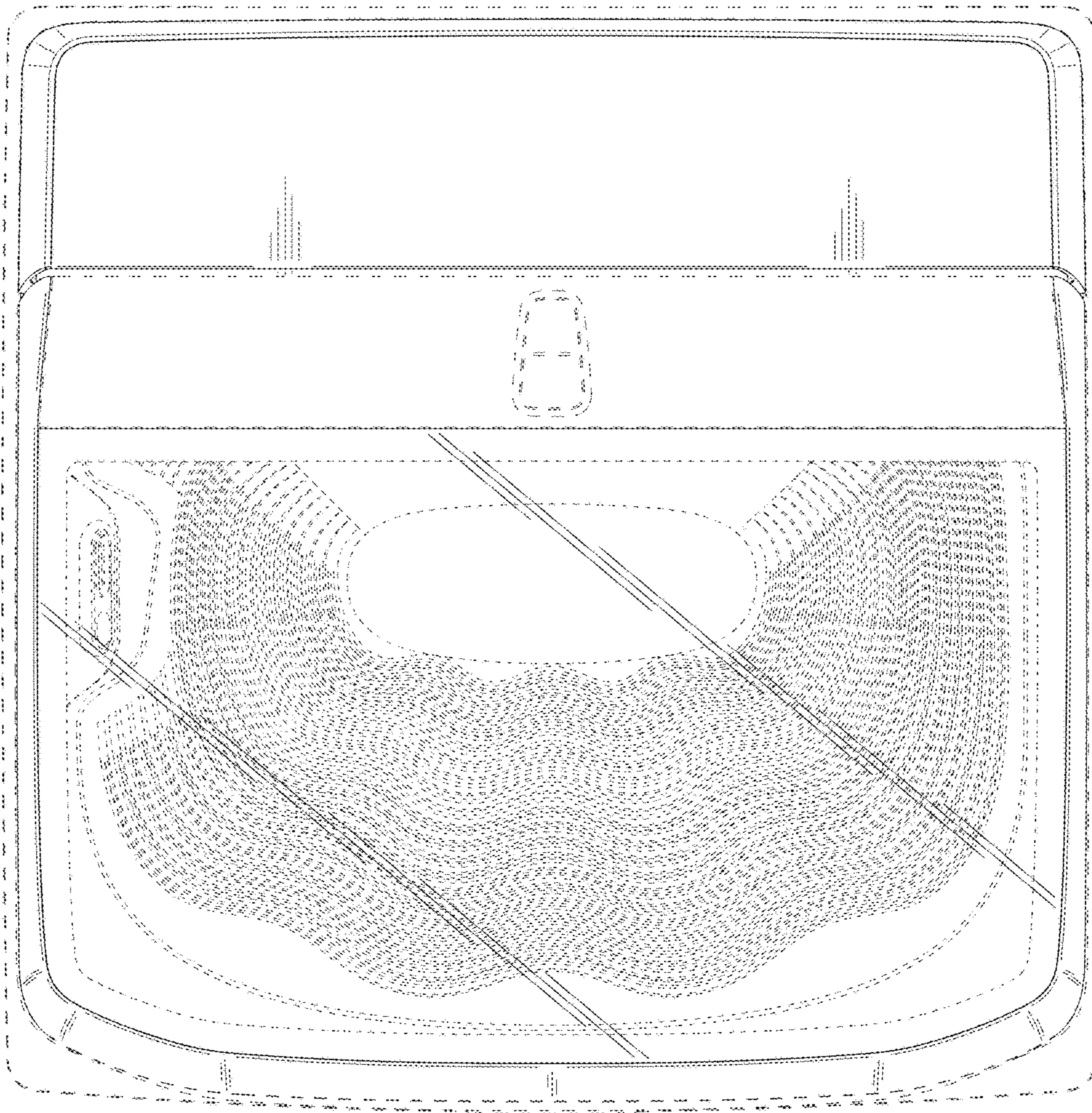




FIG. 7

