



US00D858012S

(12) **United States Design Patent** (10) **Patent No.:** **US D858,012 S**
Yoon et al. (45) **Date of Patent:** **** Aug. 27, 2019**

(54) **WASHING MACHINE**
(71) Applicant: **SAMSUNG ELECTRONICS CO., LTD.**, Suwon-si, Gyeonggi-do (KR)
(72) Inventors: **Sanghun Yoon**, Seoul (KR); **Yuna Park**, Seoul (KR); **Myunggyu Kim**, Seoul (KR); **Ahjung Joo**, Seoul (KR)
(73) Assignee: **SAMSUNG ELECTRONICS CO., LTD.**, Gyeonggi-Do (KR)
(**) Term: **15 Years**

D359,602 S 6/1995 Swartz et al.
D360,500 S 7/1995 Millet et al.
D374,954 S 10/1996 Katz et al.
D380,883 S 7/1997 Katz et al.
D457,991 S 5/2002 Baldwin et al.
D465,308 S 11/2002 Resuello et al.
D470,632 S 2/2003 Oda
D489,496 S 5/2004 Sneddon
D491,324 S 6/2004 Kim et al.
D492,073 S 6/2004 Sneddon
D516,258 S 2/2006 Matsusaki et al.
D517,257 S 3/2006 Kim et al.
D519,692 S 4/2006 Jun
D524,000 S 6/2006 Kim et al.

(Continued)

(21) Appl. No.: **29/656,438**

(22) Filed: **Jul. 12, 2018**

Related U.S. Application Data

(63) Continuation of application No. 29/590,790, filed on Jan. 13, 2017, now Pat. No. Des. 825,867.

(30) **Foreign Application Priority Data**

Nov. 29, 2016 (KR) 30-2016-0057634

(51) **LOC (12) Cl.** **15-05**

(52) **U.S. Cl.**
USPC **D32/6**

(58) **Field of Classification Search**
USPC D32/1, 5, 6, 8, 12, 25, 28, 29
CPC D06F 33/02; D06F 39/02; D06F 2204/065;
D06F 25/00; D06F 35/006; D06F 58/00;
D06F 58/02; D06F 58/04; D06F 58/20;
D06F 23/04; G05B 19/042
See application file for complete search history.

(56) **References Cited**

U.S. PATENT DOCUMENTS

4,307,588 A 12/1981 Smith et al.
4,429,817 A 2/1984 Ikeda

FOREIGN PATENT DOCUMENTS

CN 303423821 S 10/2015
KR 300387514 S 7/2005
KR 300768037 S 11/2014

Primary Examiner — Michelle E. Wilson

(74) *Attorney, Agent, or Firm* — Cantor Colburn LLP

(57) **CLAIM**

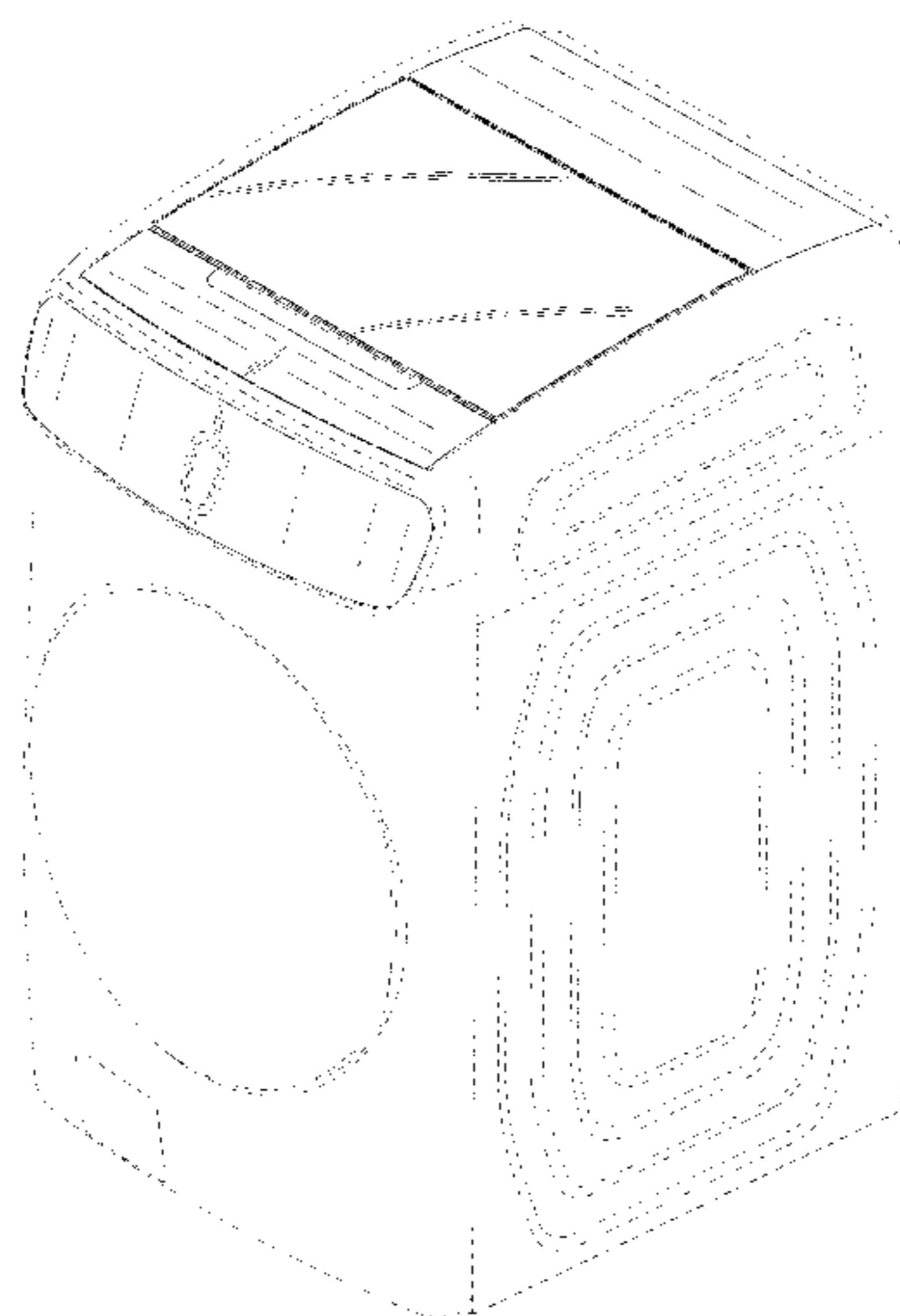
We claim the ornamental design for a washing machine, as shown and described.

DESCRIPTION

FIG. 1 is the front perspective view of a washing machine showing our new design;
FIG. 2 is the front view thereof;
FIG. 3 is the rear view thereof;
FIG. 4 is the left-side view thereof;
FIG. 5 is the right-side view thereof;
FIG. 6 is the top view thereof; and,
FIG. 7 is the bottom view thereof.

The broken lines in the figures depict environmental subject matter and form no part of the claimed design. The unshaded surfaces shown between the solid lines and the broken lines form no part of the claim.

1 Claim, 7 Drawing Sheets



(56)

References Cited

U.S. PATENT DOCUMENTS

D526,453 S	8/2006	Jun		
D527,150 S	8/2006	Jun		
D527,853 S	9/2006	Carey et al.		
D528,712 S	9/2006	Ha et al.		
D528,713 S	9/2006	Ha et al.		
D532,941 S	11/2006	Carey et al.		
D536,144 S	1/2007	Seo et al.		
D538,488 S	3/2007	Carey et al.		
D542,487 S	5/2007	Jun		
D542,986 S	5/2007	Crookshanks		
D542,987 S	5/2007	Crookshanks		
D554,307 S	10/2007	Kim		
D556,394 S	11/2007	Kim		
D571,964 S	6/2008	Kim		
D575,012 S	8/2008	Rossetto et al.		
D575,464 S	8/2008	Rossetto et al.		
D575,913 S	8/2008	Jeon et al.		
D577,162 S	9/2008	Shail et al.		
D588,757 S	3/2009	Park et al.		
D597,712 S	8/2009	Jeon et al.		
D617,960 S	6/2010	Bohm et al.		
D620,650 S	7/2010	Lee		
D625,476 S	10/2010	Lee et al.		
D626,299 S	10/2010	Lee et al.		
D630,807 S	1/2011	Song et al.		
D631,215 S	1/2011	Song et al.		
D631,624 S	1/2011	Chung et al.		
D632,033 S	2/2011	Song et al.		
D633,261 S	2/2011	Song et al.		
D642,752 S	8/2011	Kim		
D642,753 S	8/2011	Ha		
D648,084 S	11/2011	Browne et al.		
D648,085 S	11/2011	Miller et al.		
D648,497 S	11/2011	Bhattacharya		
D648,907 S	11/2011	Jeon et al.		
D649,722 S	11/2011	Chung et al.		
D653,006 S	1/2012	Takahashi		
D654,640 S	2/2012	Song et al.		
D658,340 S	4/2012	Jeon et al.		
D659,307 S	5/2012	Geyer et al.		
D661,852 S	6/2012	Song et al.		
D663,907 S	7/2012	Jeon et al.		
D665,544 S	8/2012	Jeon et al.		
D667,179 S	9/2012	Jeon et al.		
D679,462 S	4/2013	Zhang et al.		
D693,973 S	11/2013	Geyer et al.		
D694,965 S	12/2013	Lee et al.		
D695,474 S	12/2013	Calmeise		
D697,680 S	1/2014	Hwang et al.		
D699,907 S	2/2014	Choi et al.		
D701,656 S	3/2014	Choi et al.		
D701,657 S	3/2014	Chung et al.		
D701,658 S	3/2014	Chung et al.		
D703,885 S	4/2014	Ha et al.		
D703,886 S	4/2014	Ha et al.		
D705,508 S	5/2014	Calmeise		
D712,603 S	9/2014	Geyer et al.		
D729,996 S	5/2015	Hwang et al.		
D729,998 S	5/2015	Jeon et al.		
D730,596 S	5/2015	Kim et al.		
D732,763 S	6/2015	Hwang et al.		
D732,767 S	6/2015	Ha et al.		
D733,372 S	6/2015	Song et al.		
D739,096 S	9/2015	Qin et al.		
D739,097 S	9/2015	Qin et al.		
D742,602 S	11/2015	Kim		
D746,521 S	12/2015	Ha et al.		
D747,836 S	1/2016	Cho et al.		
D748,355 S	* 1/2016	Sim	D32/6	
D752,830 S	3/2016	Choi et al.		
D759,325 S	6/2016	Jeon et al.		
D759,909 S	6/2016	Kim et al.		
D759,912 S	* 6/2016	Bixby	D32/25	
D760,454 S	6/2016	Joo et al.		
D761,503 S	* 7/2016	Choi	D32/6	
D762,021 S	7/2016	Qin et al.		
D762,025 S	7/2016	Joo et al.		
D762,027 S	* 7/2016	Choi	D32/25	
D764,120 S	8/2016	Choi et al.		
D764,121 S	8/2016	Choi et al.		
D764,122 S	8/2016	Jo		
D764,123 S	8/2016	Kim et al.		
D764,722 S	8/2016	Jo		
D769,553 S	10/2016	Lee		
D770,103 S	10/2016	Ha et al.		
D770,698 S	11/2016	Lee et al.		
D770,705 S	11/2016	Kang et al.		
D770,706 S	11/2016	Ha et al.		
D770,707 S	11/2016	Ha et al.		
D771,330 S	11/2016	Ha et al.		
D772,499 S	11/2016	Yoon et al.		
D772,500 S	11/2016	Park et al.		
D772,502 S	11/2016	Choi et al.		
D773,128 S	11/2016	Kim et al.		
D773,753 S	12/2016	Kim et al.		
D773,754 S	12/2016	Choi et al.		
D773,755 S	12/2016	Hwang et al.		
D773,757 S	12/2016	Hwang et al.		
D774,714 S	12/2016	Kang et al.		
D774,715 S	12/2016	Kim et al.		
D774,716 S	12/2016	Kim		
D787,759 S	5/2017	Geyer et al.		
D795,512 S	* 8/2017	Joo	D32/8	
D796,752 S	9/2017	Bixby et al.		
D798,004 S	9/2017	Bixby et al.		
D800,976 S	10/2017	Im et al.		
D801,602 S	10/2017	Im et al.		
D812,325 S	* 3/2018	Bixby	D32/8	
D824,607 S	* 7/2018	Bixby	D32/6	
D825,867 S	8/2018	Yoon et al.		
D825,871 S	8/2018	Kim et al.		
D826,489 S	8/2018	Yoon et al.		
D831,906 S	10/2018	Lidija et al.		
D832,534 S	10/2018	Ha et al.		
D833,091 S	* 11/2018	Ayers	D32/6	
D834,265 S	11/2018	Kim et al.		
D835,368 S	12/2018	Ha et al.		
D835,865 S	12/2018	Lee et al.		
D836,265 S	12/2018	Kim et al.		
D839,513 S	* 1/2019	Ayers	D32/25	
D841,905 S	2/2019	Kim et al.		
D843,670 S	3/2019	Yoon et al.		
D848,092 S	5/2019	Yoon et al.		
D850,033 S	5/2019	Yoon et al.		
D850,034 S	5/2019	Yoon et al.		

* cited by examiner

FIG. 1

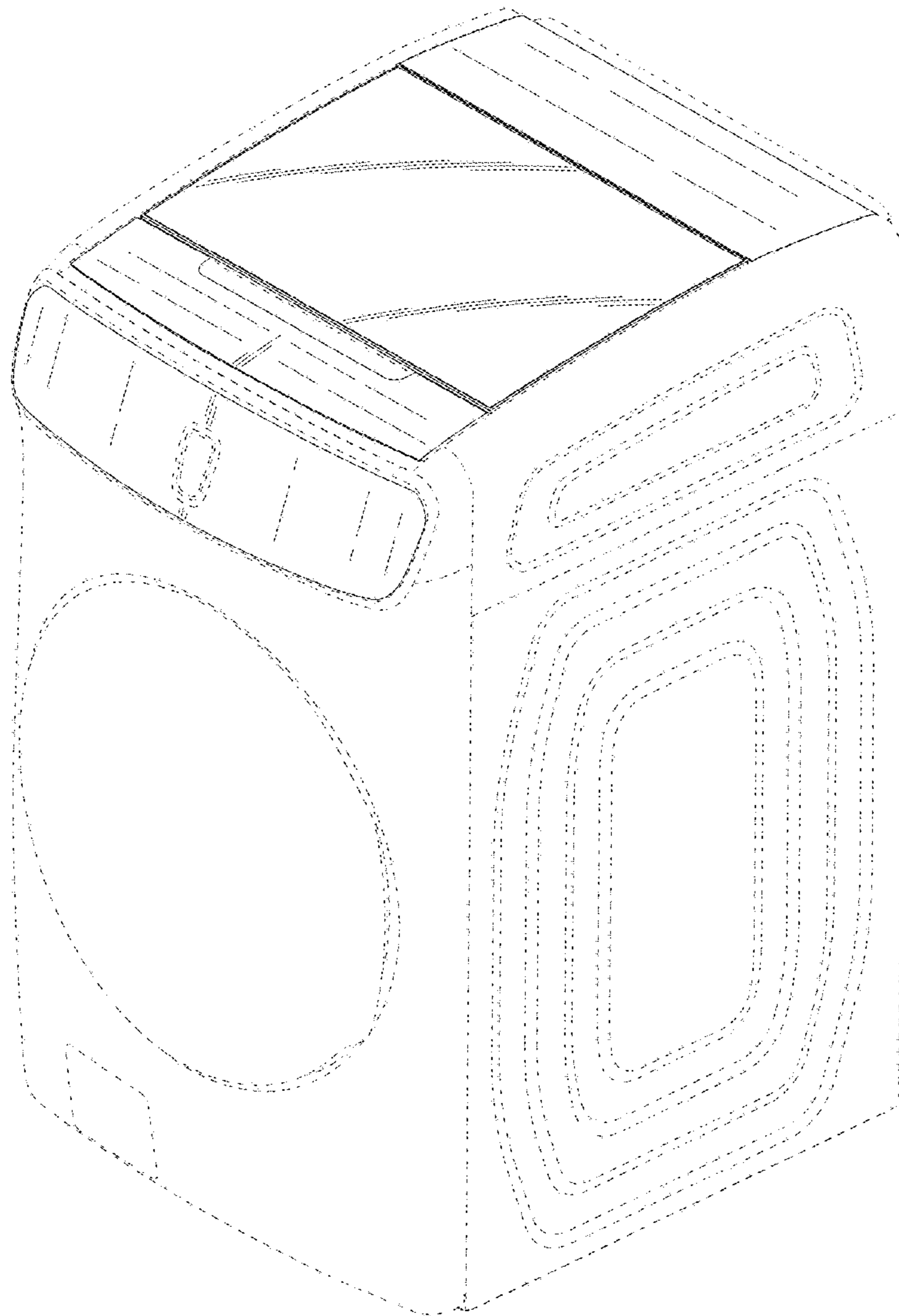


FIG. 2

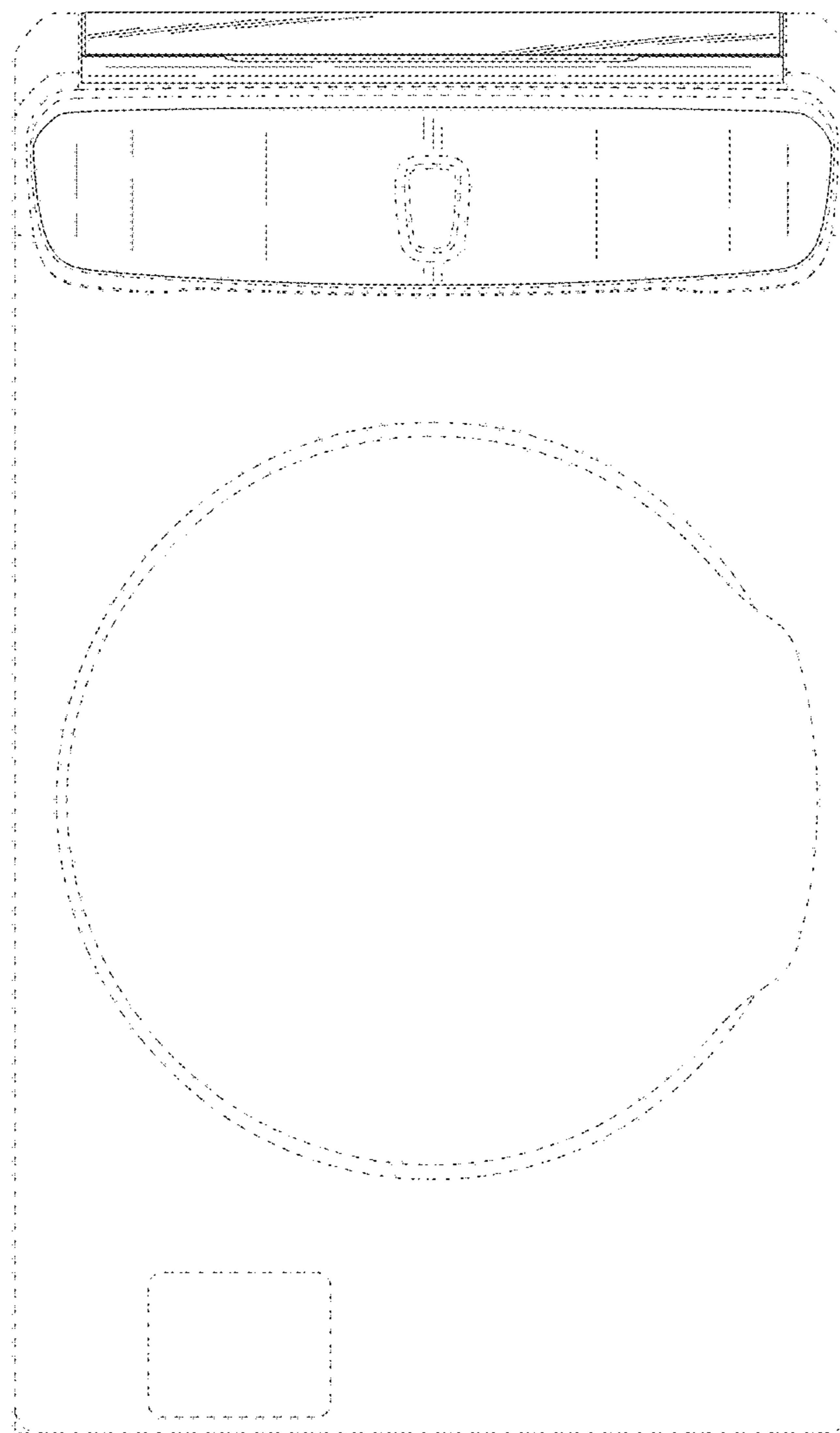


FIG. 3

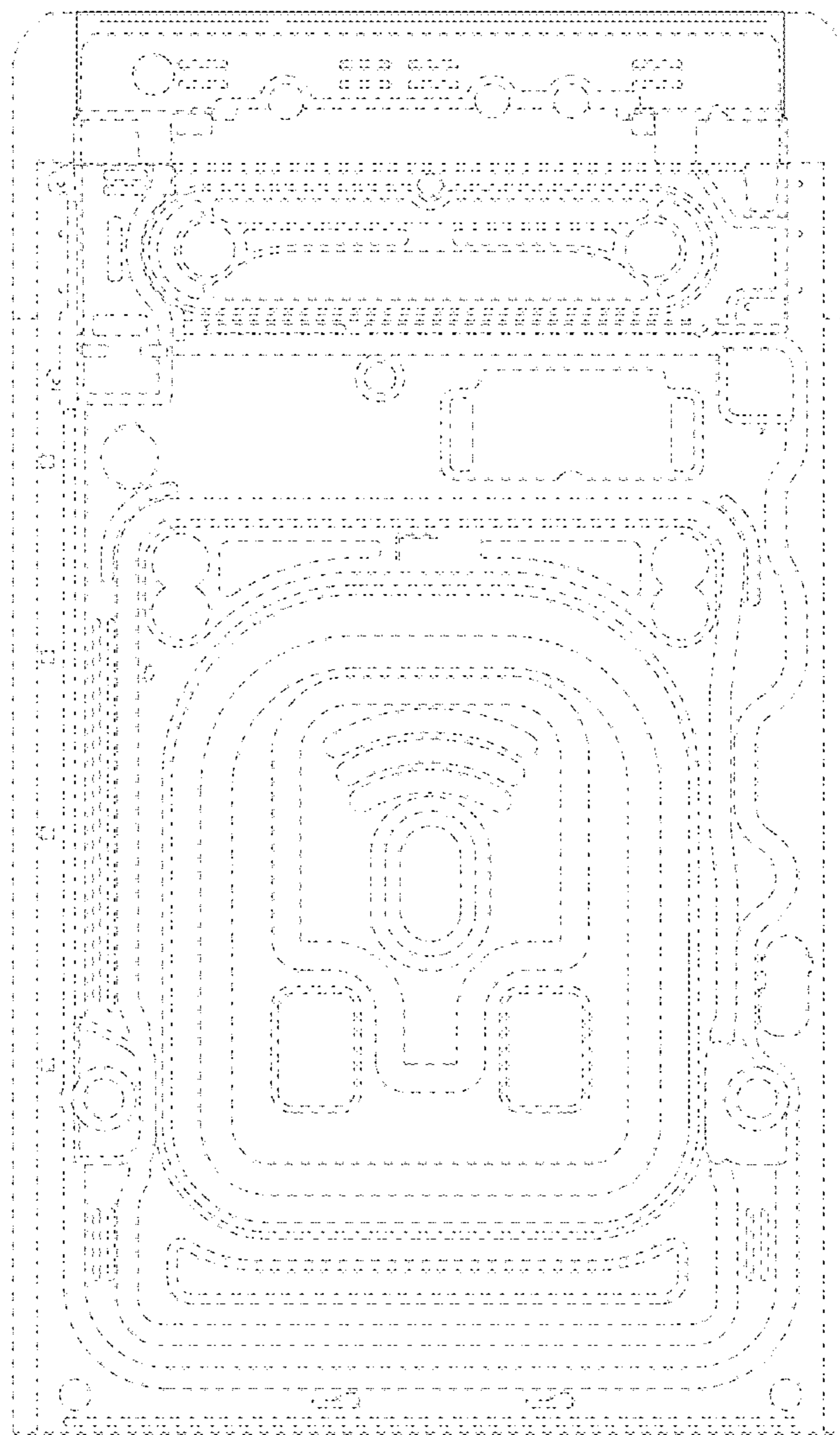


FIG. 4

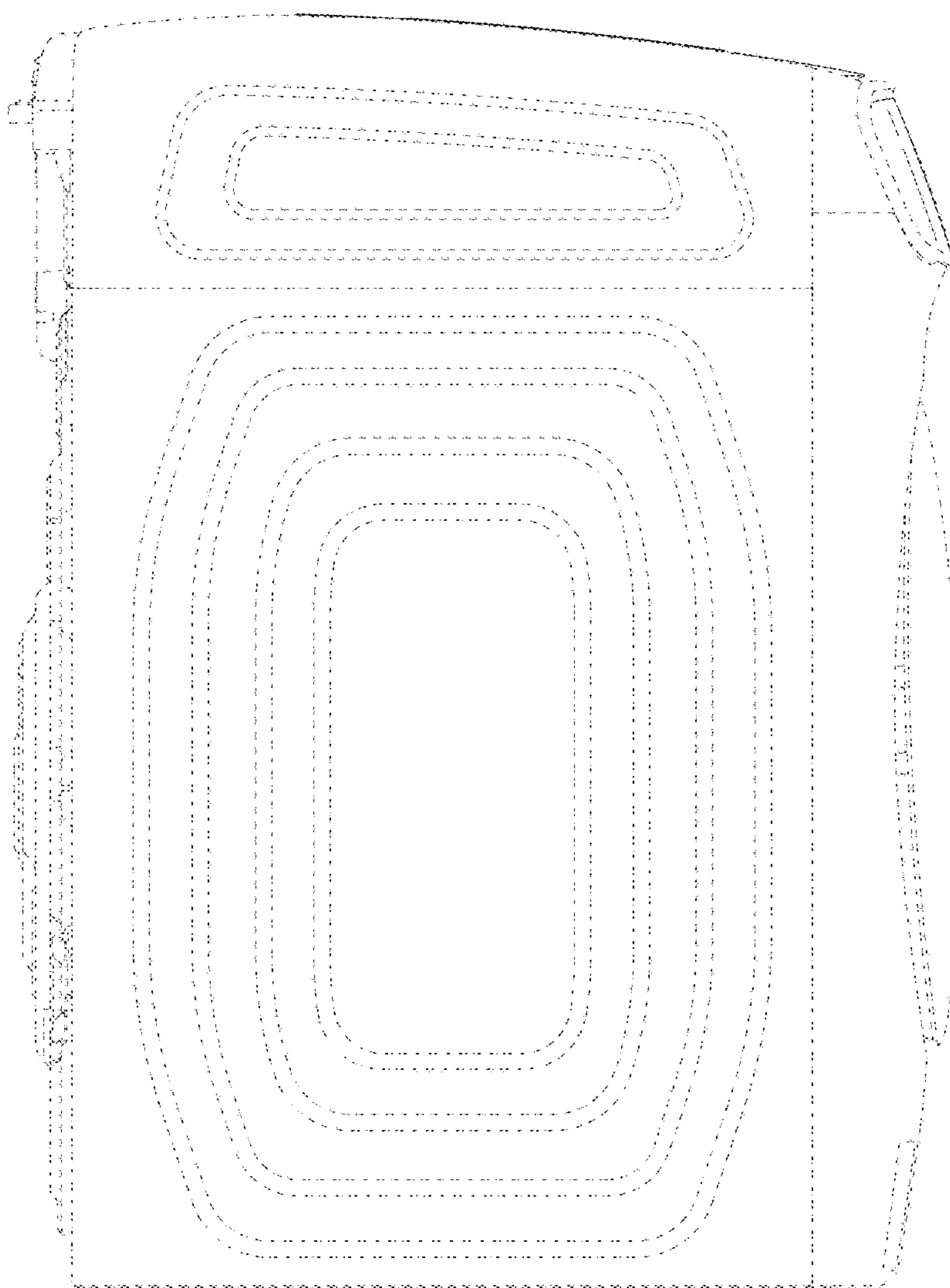


FIG. 5

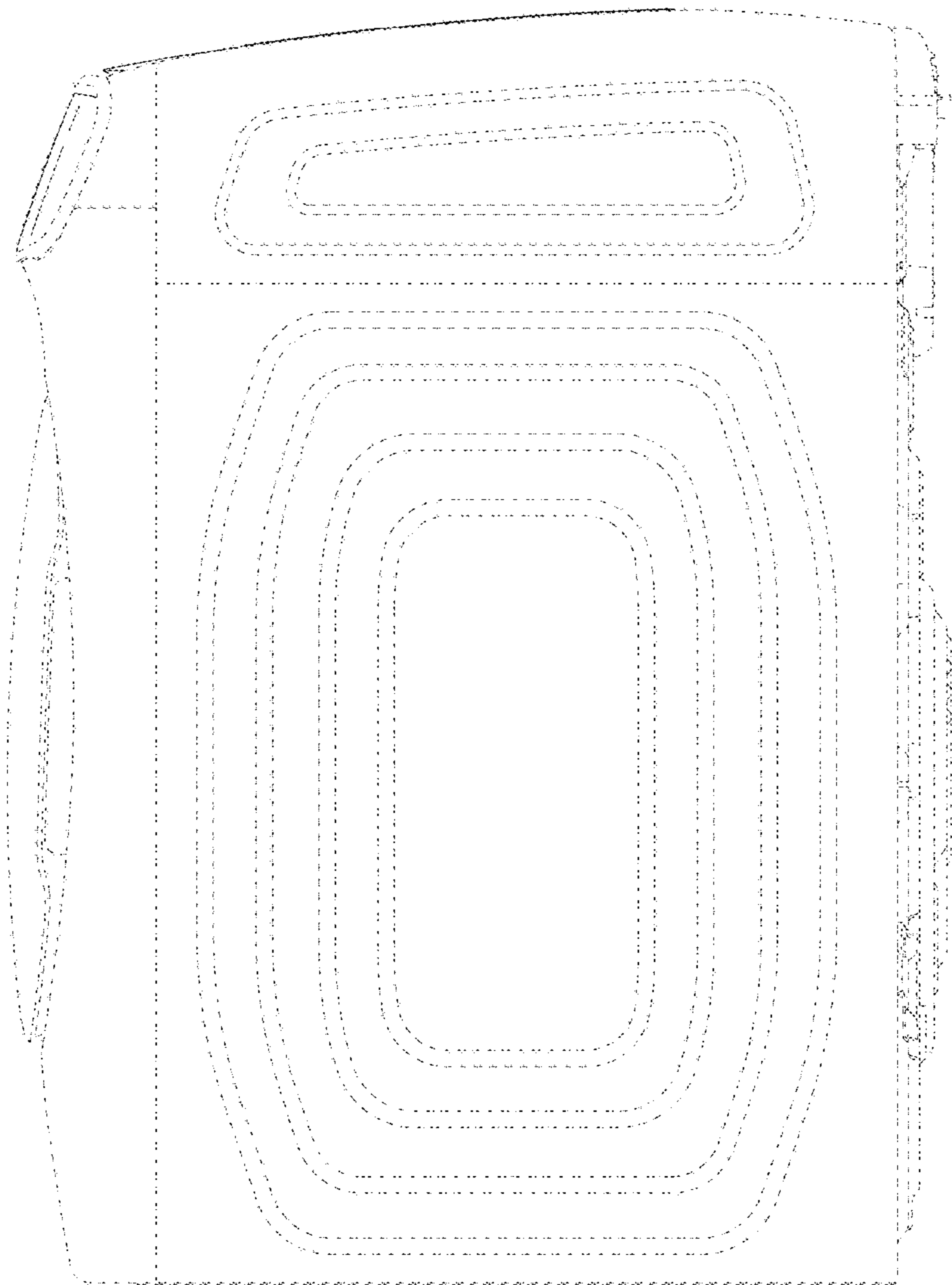


FIG. 6

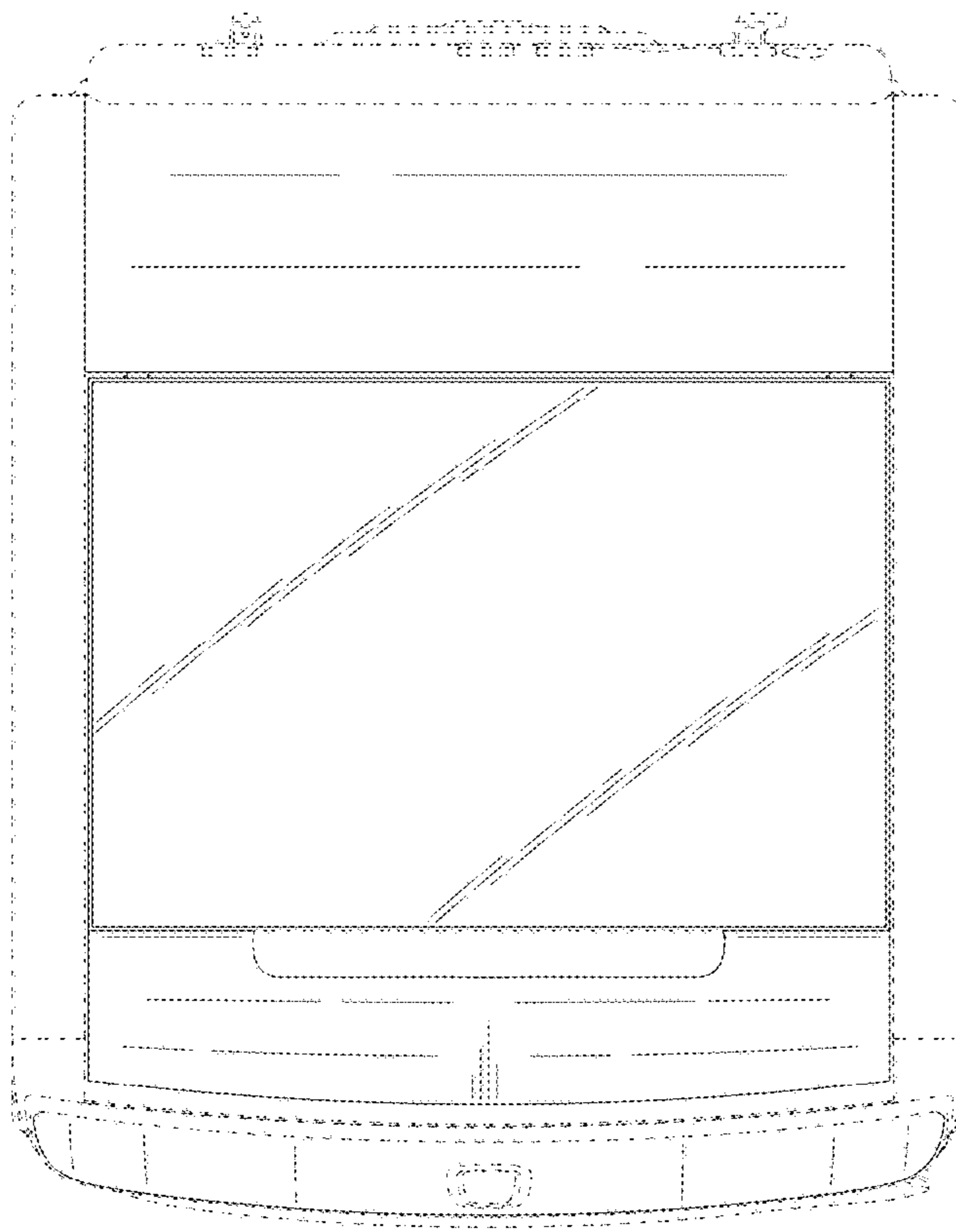


FIG. 7

