



US00D858011S

(12) **United States Design Patent** (10) **Patent No.:** **US D858,011 S**
Xie et al. (45) **Date of Patent:** **** Aug. 27, 2019**

(54) **CLOTHES DRYER**
(71) Applicant: **Wuxi Little Swan Company Limited,**
Wuxi (CN)
(72) Inventors: **Honggang Xie,** Wuxi (CN); **Su Qin,**
Wuxi (CN)
(73) Assignee: **WUXI LITTLE SWAN COMPANY**
LIMITED, Wuxi (CN)
(**) Term: **15 Years**
(21) Appl. No.: **29/641,284**
(22) Filed: **Mar. 21, 2018**

(30) **Foreign Application Priority Data**
Sep. 26, 2017 (CN) 2017 3 0460522
(51) **LOC (12) Cl.** **15-05**
(52) **U.S. Cl.**
USPC **D32/6**
(58) **Field of Classification Search**
USPC D32/1, 5, 6, 8, 10, 25, 28, 29, 29.1
CPC D06F 39/045; D06F 25/00; D06F 39/022;
D06F 33/02; D06F 2204/065; D06F
35/006; D06F 39/12; D06F 39/00; D06F
49/06; D06F 37/26; D06F 37/20; D06F
31/00; A47L 15/4418; F16M 9/00
See application file for complete search history.

(56) **References Cited**
U.S. PATENT DOCUMENTS
5,437,168 A * 8/1995 Mason D06F 37/10
68/142
D489,500 S * 5/2004 Sneddon D32/25
D537,217 S * 2/2007 Charmoille D32/25
D554,813 S * 11/2007 Boler, Jr. D32/25
D658,342 S * 4/2012 Danak D32/25
D669,647 S * 10/2012 Arnold D32/25

D704,907 S * 5/2014 Yoo D32/6
D709,657 S * 7/2014 Shin D32/25
D711,605 S * 8/2014 Jo D32/25
D772,495 S * 11/2016 Wu D32/6
D776,373 S * 1/2017 Joo D32/6
D781,007 S * 3/2017 Jang D32/6
D785,339 S * 5/2017 Brown D32/25
D798,006 S * 9/2017 Kang D32/6
D809,221 S * 1/2018 Kim D32/6
D809,222 S * 1/2018 Kim D32/6
D809,224 S * 1/2018 Kim D32/6
D809,225 S * 1/2018 Kim D32/6
D809,226 S * 1/2018 Kim D32/6
2008/0011024 A1 * 1/2008 Won D06F 23/04
68/212
2009/0229320 A1 * 9/2009 Yoo et al. D06F 23/04
68/3 R

* cited by examiner

Primary Examiner — Michelle E. Wilson
(74) *Attorney, Agent, or Firm* — Morgan, Lewis &
Bockius LLP

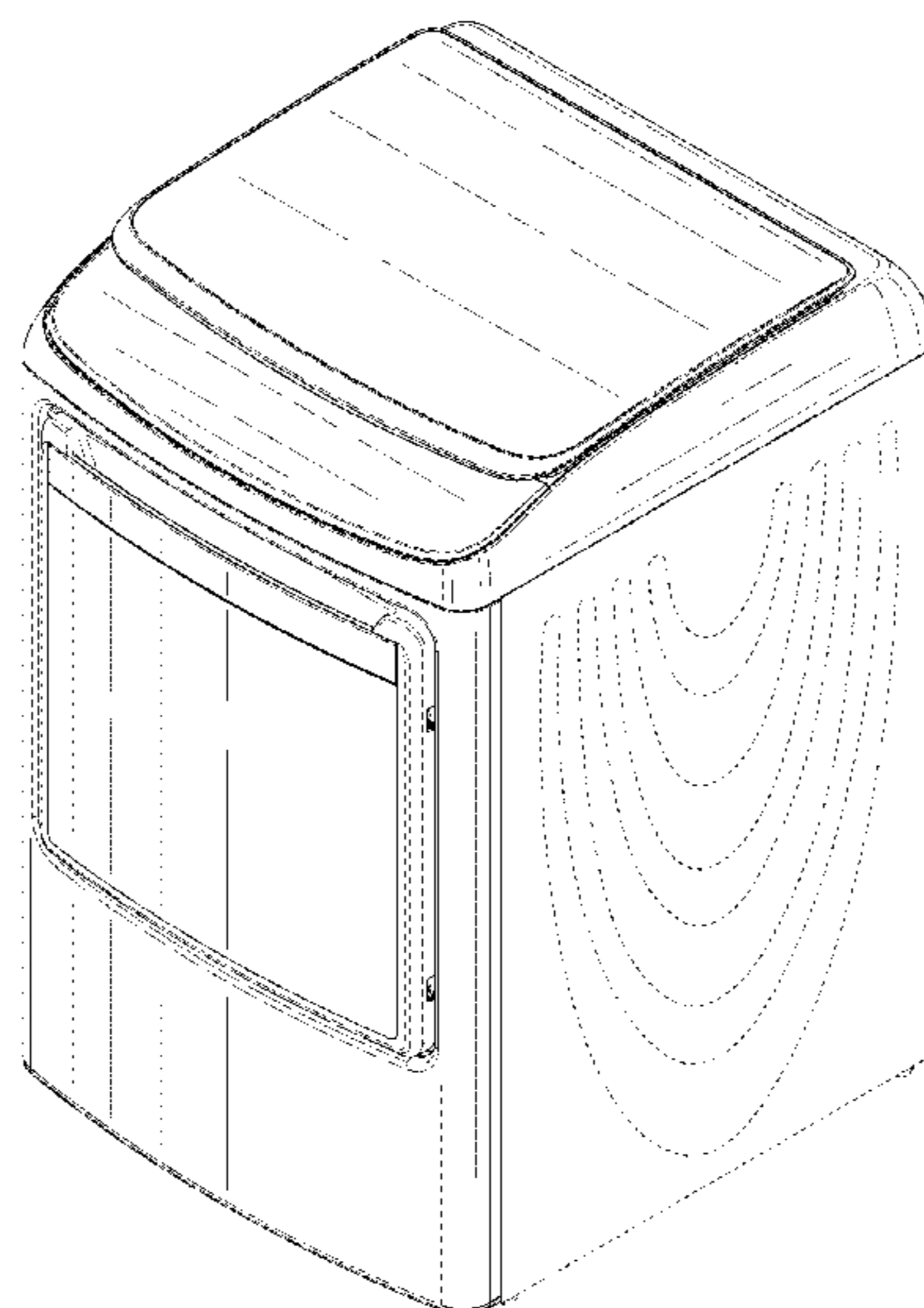
(57) **CLAIM**

The ornamental design for a clothes dryer, as shown and described.

DESCRIPTION

FIG. 1 is a front perspective view of a clothes dryer showing our new design;
FIG. 2 is a front elevational view thereof;
FIG. 3 is a rear elevational view thereof;
FIG. 4 is a right-side elevational view thereof;
FIG. 5 is a left-side elevational view thereof;
FIG. 6 is a top plan view thereof; and,
FIG. 7 is a bottom plan view thereof.
The broken lines immediately adjacent the shaded areas represent the bounds of the claimed design while all other broken lines are directed to environment and are for illustrative purposes only; the broken lines form no part of the claimed design.

1 Claim, 7 Drawing Sheets



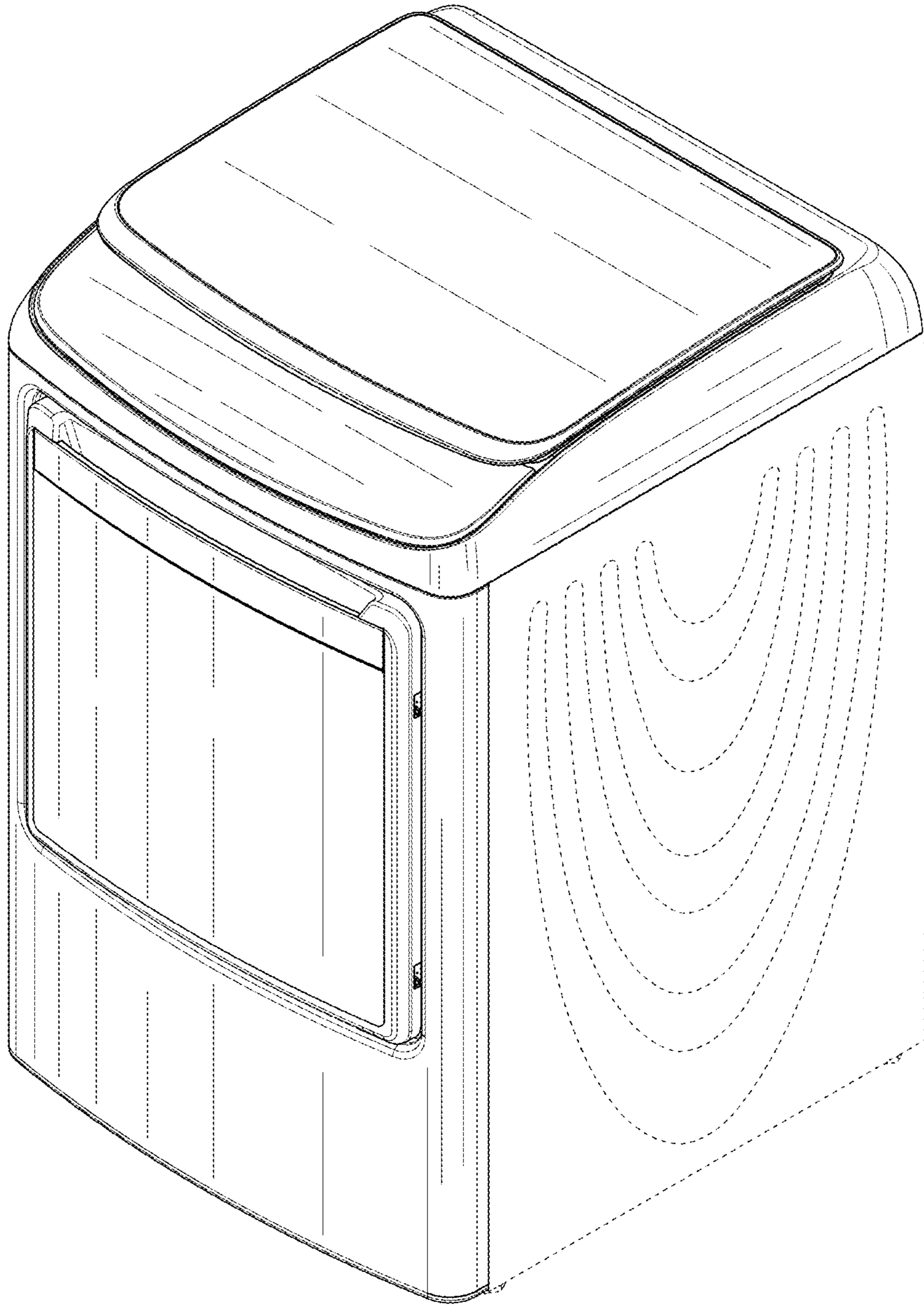


FIG. 1

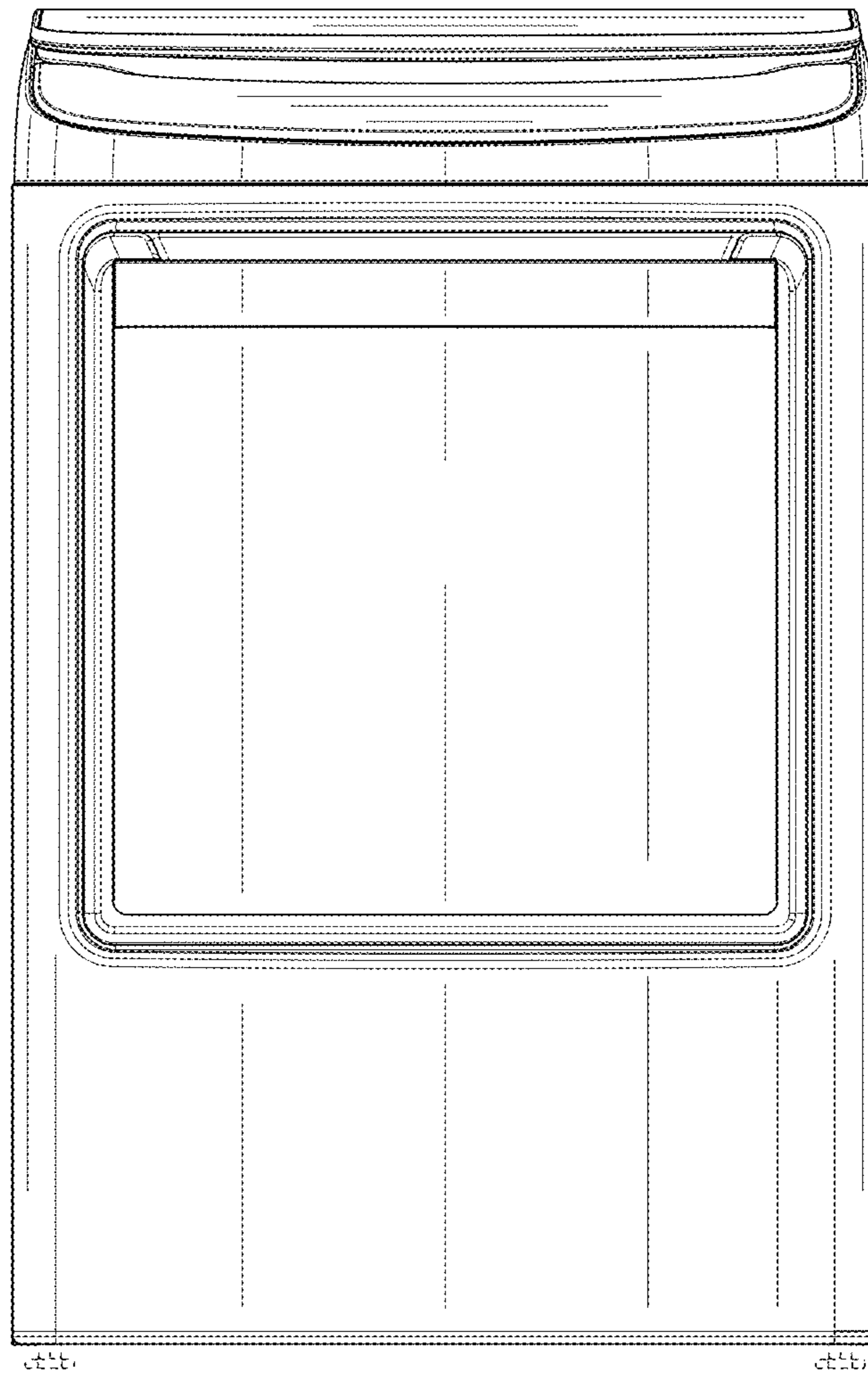


FIG. 2

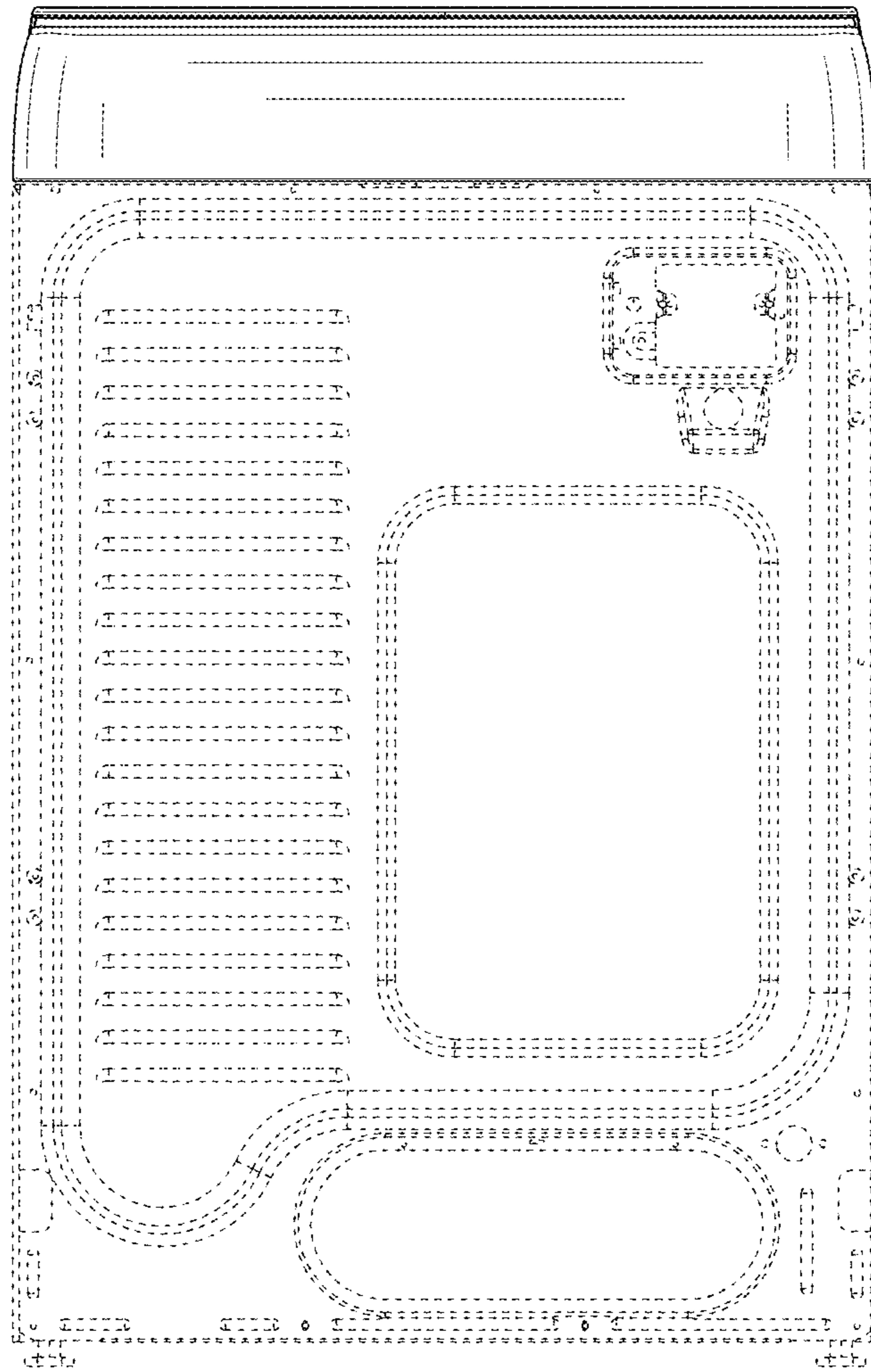


FIG. 3

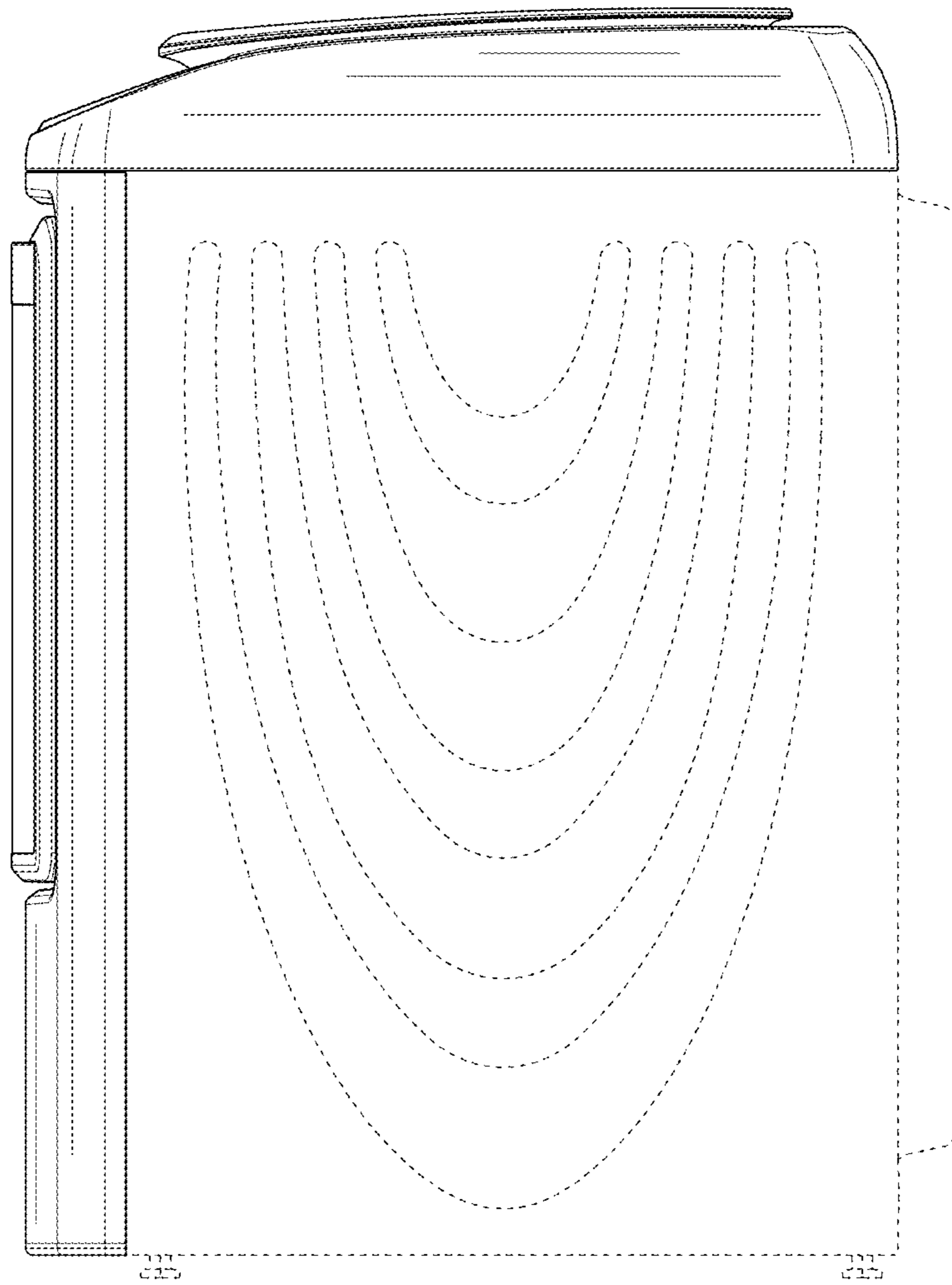


FIG. 4

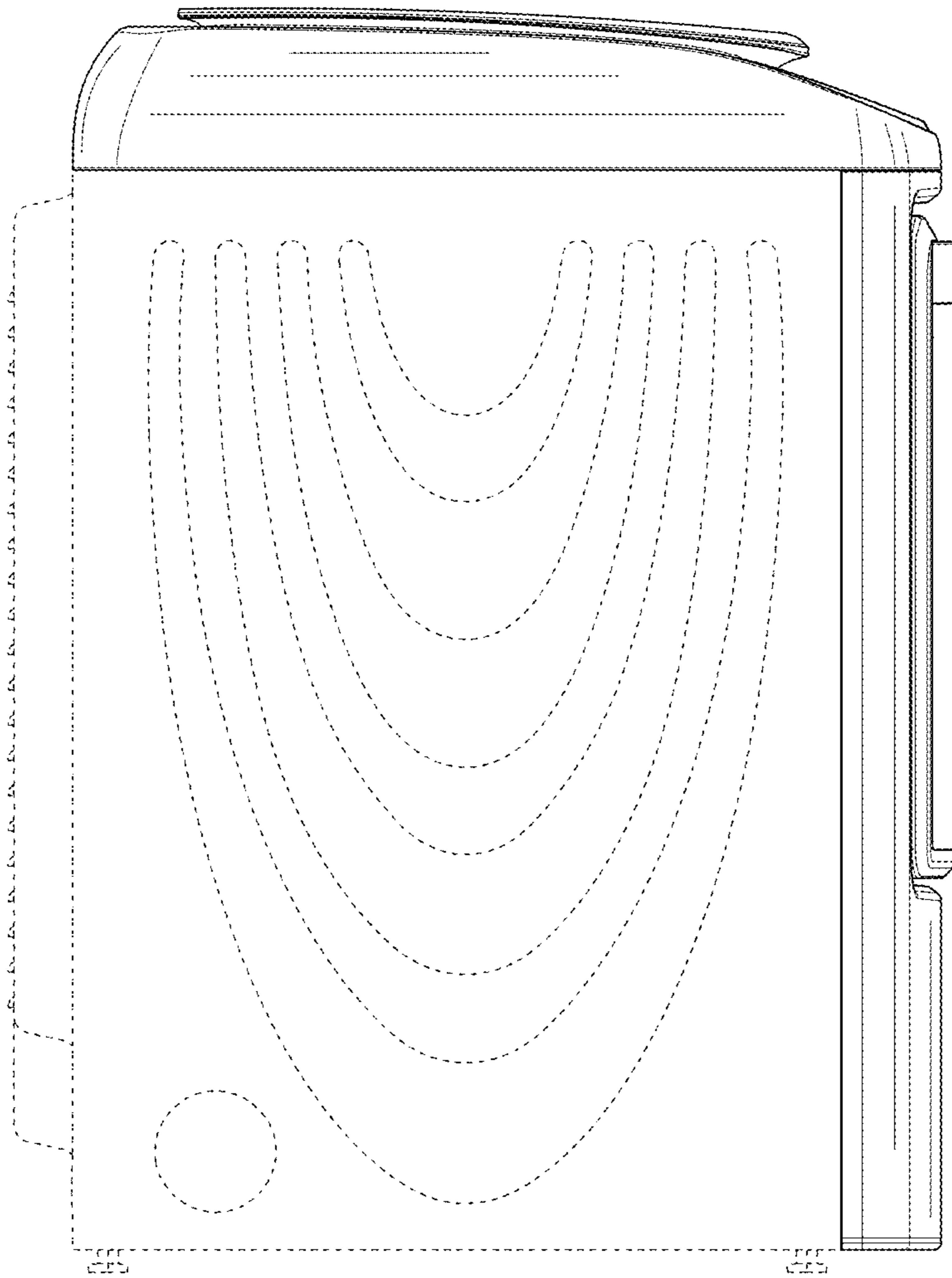


FIG. 5

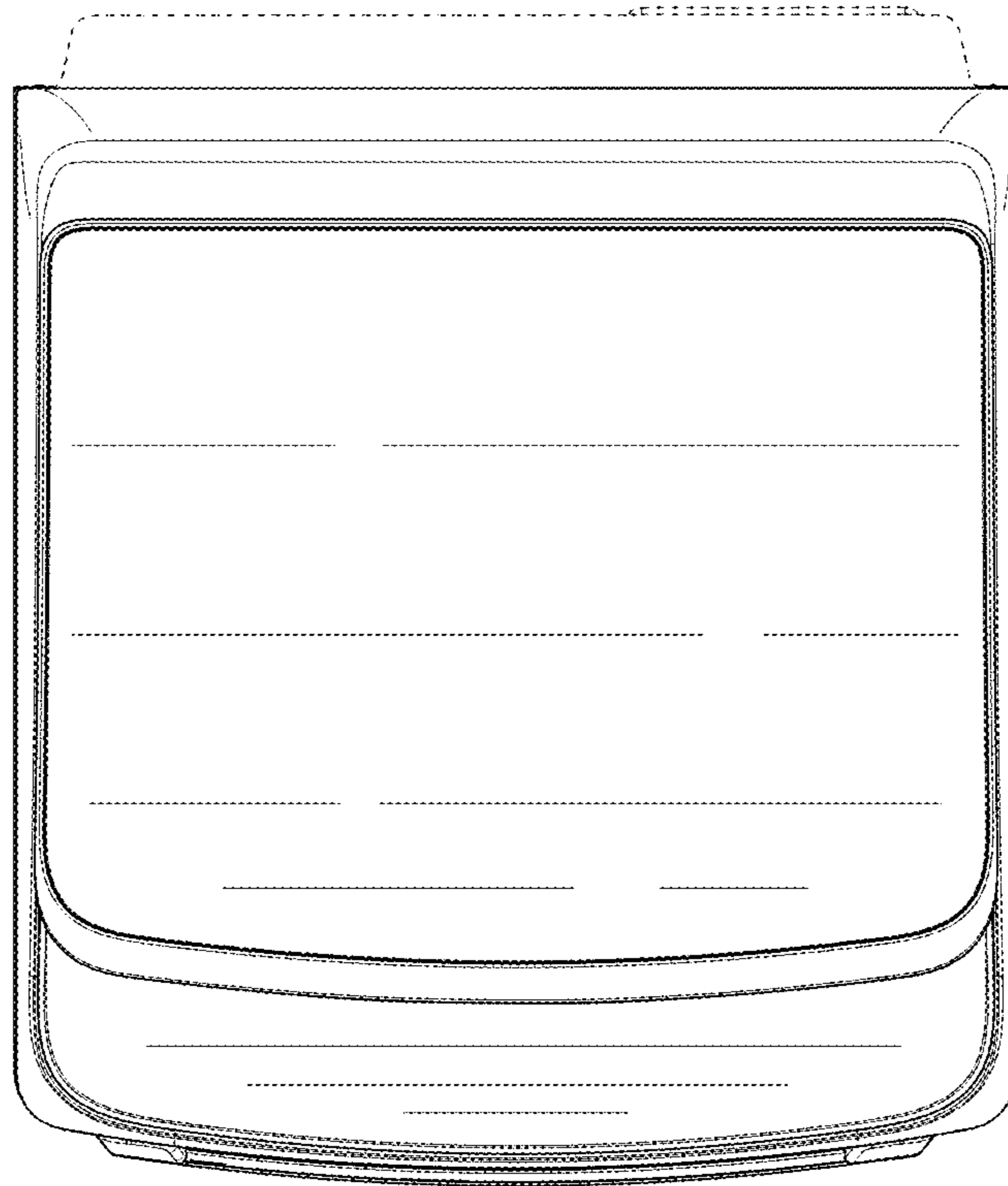


FIG. 6

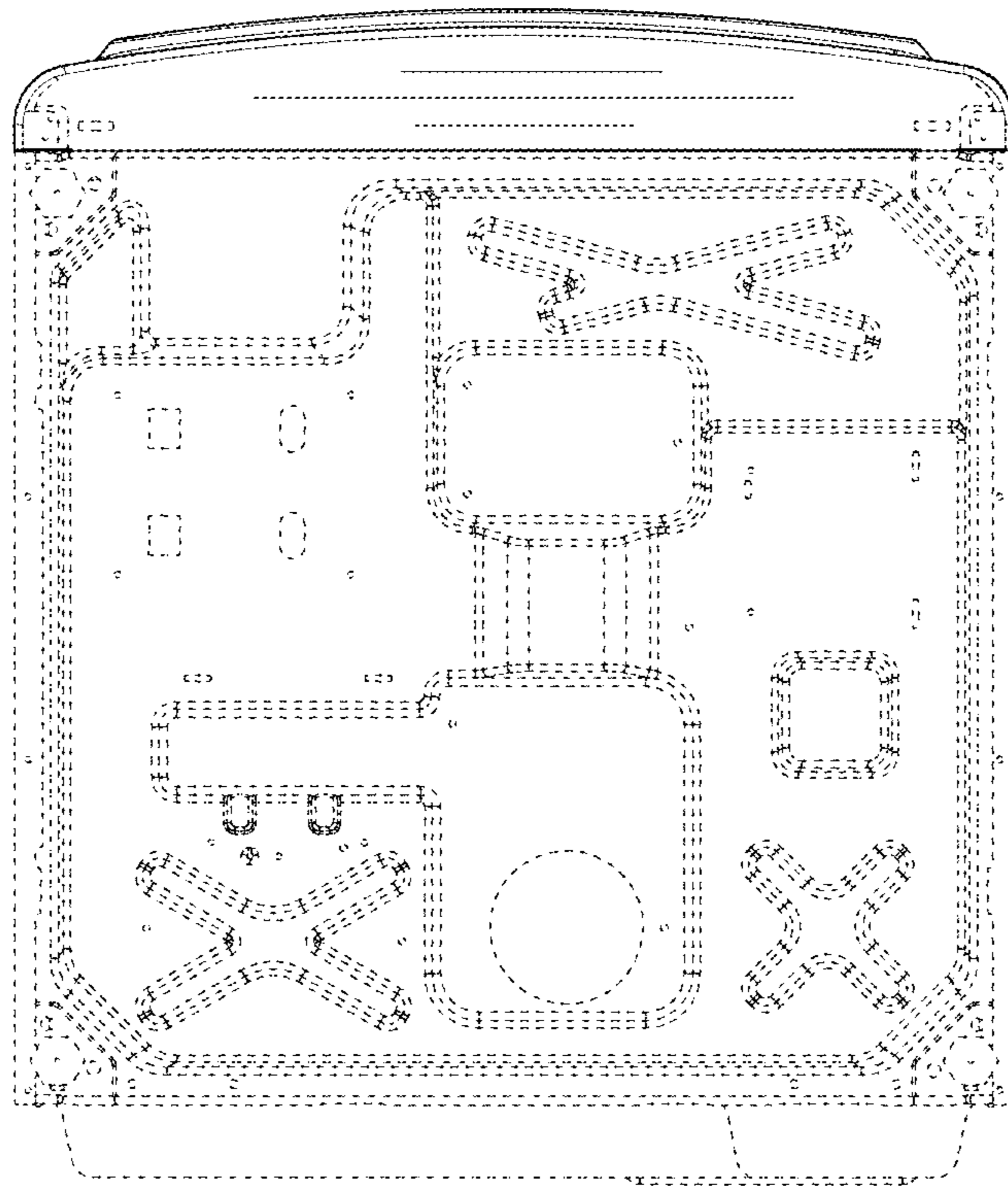


FIG. 7