



US00D858009S

(12) **United States Design Patent** (10) **Patent No.:** **US D858,009 S**  
**Ha et al.** (45) **Date of Patent:** **\*\* Aug. 27, 2019**

(54) **WASHING MACHINE**

(56) **References Cited**

(71) Applicant: **LG ELECTRONICS INC.**, Seoul (KR)

U.S. PATENT DOCUMENTS

(72) Inventors: **Youngsoo Ha**, Seoul (KR); **Taewoo Yoo**, Seoul (KR); **Eunyoung Chee**, Seoul (KR); **Jeaseok Seong**, Seoul (KR)

D429,393	S	*	8/2000	Rief	.....	D32/25
D479,373	S	*	9/2003	Silva	.....	D32/25
D501,966	S	*	2/2005	Hwang	.....	D32/25
D517,262	S	*	3/2006	Ha	.....	D32/25
D517,263	S	*	3/2006	Ha	.....	D32/25
D518,256	S	*	3/2006	Kim	.....	D32/25
D544,157	S	*	6/2007	Crookshanks	.....	D32/25
D592,367	S	*	5/2009	Crookshanks	.....	D32/25
D616,163	S	*	5/2010	Nam	.....	D32/25
D617,512	S	*	6/2010	DeSalvo	.....	D32/25
D622,918	S	*	8/2010	Choi	.....	D32/25
D698,508	S	*	1/2014	Cho	.....	D32/25
D700,409	S	*	2/2014	Takahashi	.....	D32/25
D730,602	S	*	5/2015	Choi	.....	D32/25
D731,131	S	*	6/2015	Ha	.....	D32/25
D732,767	S	*	6/2015	Ha	.....	D32/25
D732,768	S	*	6/2015	Choi	.....	D32/25
D749,806	S	*	2/2016	Hwang	.....	D32/25
D758,031	S	*	5/2016	Bixby	.....	D32/25
D758,032	S	*	5/2016	Bixby	.....	D32/25
D758,682	S	*	6/2016	Kim	.....	D32/25
D759,913	S	*	6/2016	Jeon	.....	D32/25

(73) Assignee: **LG ELECTRONICS INC.**, Seoul (KR)

(\*\*) Term: **15 Years**

(21) Appl. No.: **29/586,311**

(22) Filed: **Dec. 2, 2016**

**Related U.S. Application Data**

(63) Continuation of application No. 35/501,423, filed on Feb. 26, 2016 (U.S. filing date under 35 U.S.C. 384), and having an international filing date of Feb. 26, 2016.

(Continued)

*Primary Examiner* — Michelle E. Wilson

(74) *Attorney, Agent, or Firm* — Birch, Stewart, Kolasch & Birch, LLP

(30) **Foreign Application Priority Data**

Sep. 10, 2015 (KR) ..... 30-2015-0046161

(51) **LOC (12) Cl.** ..... **15-05**

(52) **U.S. Cl.**  
USPC ..... **D32/6**

(58) **Field of Classification Search**  
USPC ..... D32/29.1, 29, 28, 6, 25, 8, 1, 5, 10  
CPC ..... D06F 39/045; D06F 29/00; D06F 29/005;  
D06F 25/00; D06F 39/022; D06F 33/02;  
D06F 2204/065; D06F 35/006

See application file for complete search history.

(57) **CLAIM**

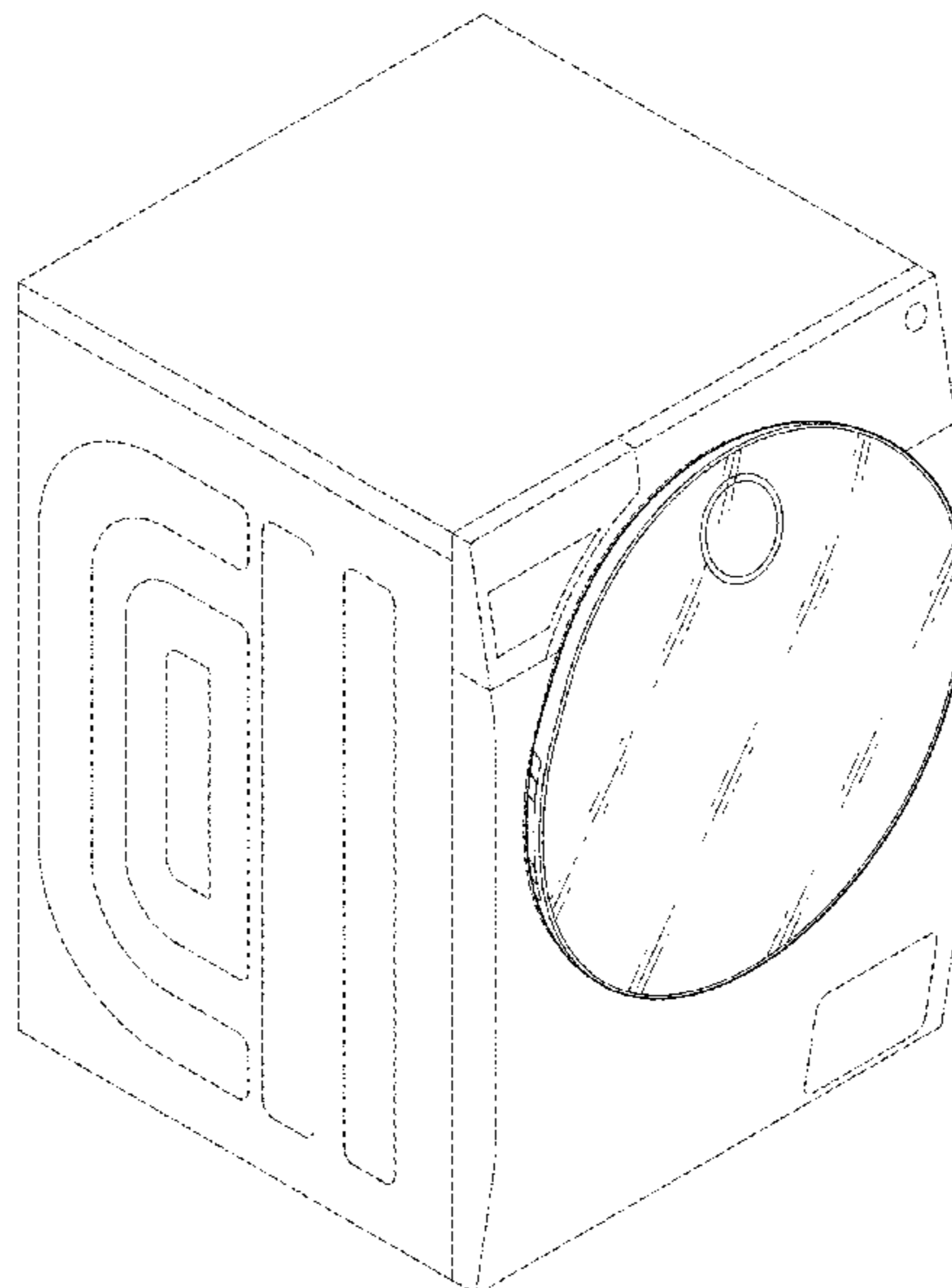
The ornamental design for a washing machine, as shown and described.

**DESCRIPTION**

FIG. 1 is a front, right perspective view of a first embodiment of the washing machine showing our new design; and, FIG. 2 is a front, right perspective view of a second embodiment of the washing machine showing our new design.

The broken line showing of the washing machine forms no part of the claimed design.

**1 Claim, 2 Drawing Sheets**



(56)

**References Cited**

U.S. PATENT DOCUMENTS

D760,456 S *	6/2016	Jeon .....	D32/25
D767,836 S *	9/2016	Ha .....	D32/25
D767,837 S *	9/2016	Chee .....	D32/25
D771,886 S *	11/2016	Hwang .....	D32/25
D772,503 S *	11/2016	Yun .....	D32/25
D772,506 S *	11/2016	Bixby .....	D32/25
D772,507 S *	11/2016	Bixby .....	D32/25
D796,130 S *	8/2017	Ha .....	D32/25
D796,131 S *	8/2017	Ha .....	D32/25

\* cited by examiner

FIG. 1

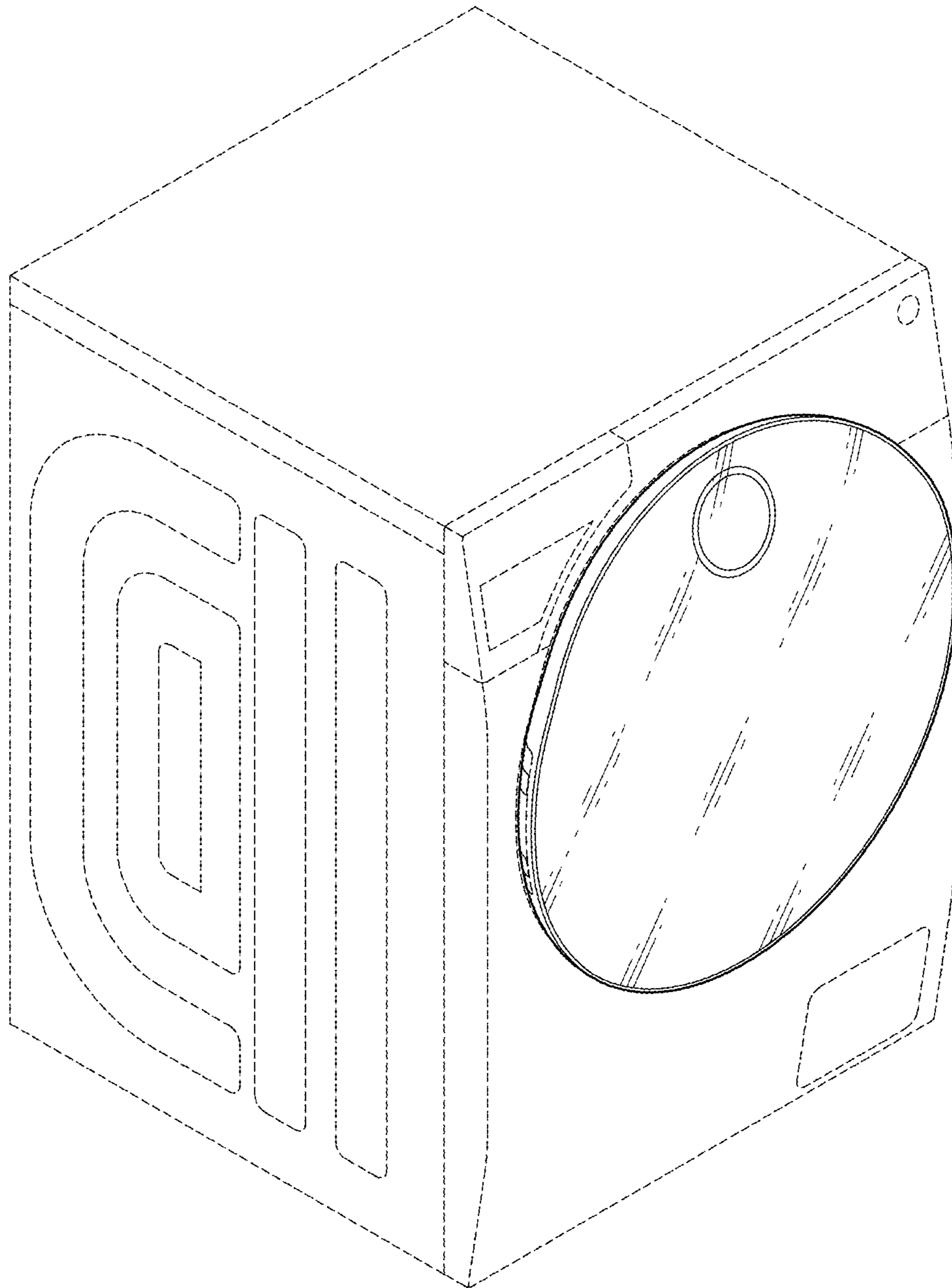


FIG. 2

