



US00D858008S

(12) **United States Design Patent** (10) **Patent No.:** **US D858,008 S**
Haft et al. (45) **Date of Patent:** **** Aug. 27, 2019**

- (54) **DISHWASHER FILTER CAP** 5,299,586 A * 4/1994 Jordan A47L 15/4225
134/111
- (71) Applicant: **Wolf Appliance, Inc.**, Fitchburg, WI 5,924,433 A * 7/1999 Thies A47L 15/4246
(US) 134/179
- (72) Inventors: **Thomas Haft**, Madison, WI (US); **Joel** RE37,831 E * 9/2002 Thies A47L 15/4204
Andrew Schmidt, Oregon, WI (US); 134/10
Jacob Tyler Riggs, Oregon, WI (US); D561,413 S * 2/2008 Song D32/3
L Tuck Foree, Jr., Waunakee, WI (US) D564,141 S * 3/2008 Gaa D32/3
D564,142 S * 3/2008 Gaa D32/3
D601,766 S * 10/2009 Gaa D32/3
D608,960 S * 1/2010 Gaa D32/3
D675,386 S * 1/2013 Burrows D32/3
D675,387 S * 1/2013 Burrows D32/3
D761,500 S * 7/2016 Feddema D32/3
D799,763 S * 10/2017 Haft D32/3
- (73) Assignee: **WOLF APPLIANCE, INC.**, Fitchburg, WI (US)
- (**) Term: **15 Years** (Continued)

(21) Appl. No.: **29/675,325**

(22) Filed: **Dec. 31, 2018**

Related U.S. Application Data

- (62) Division of application No. 29/578,757, filed on Sep. 23, 2016, now Pat. No. Des. 842,558.
- (51) **LOC (12) Cl.** **15-05**
- (52) **U.S. Cl.**
USPC **D32/3**
- (58) **Field of Classification Search**
USPC D32/1-3, 25-27; D23/213, 218, 221
CPC .. A47L 15/00; A47L 15/0002; A47L 15/0005;
A47L 15/0007; A47L 15/0015; A47L
15/0023
See application file for complete search history.

(56) **References Cited**

U.S. PATENT DOCUMENTS

- 2,380,090 A * 7/1945 Wallace A47L 15/23
239/231
- 4,359,250 A * 11/1982 Jenkins A47L 15/4246
312/228
- D314,255 S * 1/1991 Brito D32/3

Primary Examiner — Michelle E. Wilson

(74) *Attorney, Agent, or Firm* — Bell & Manning, LLC

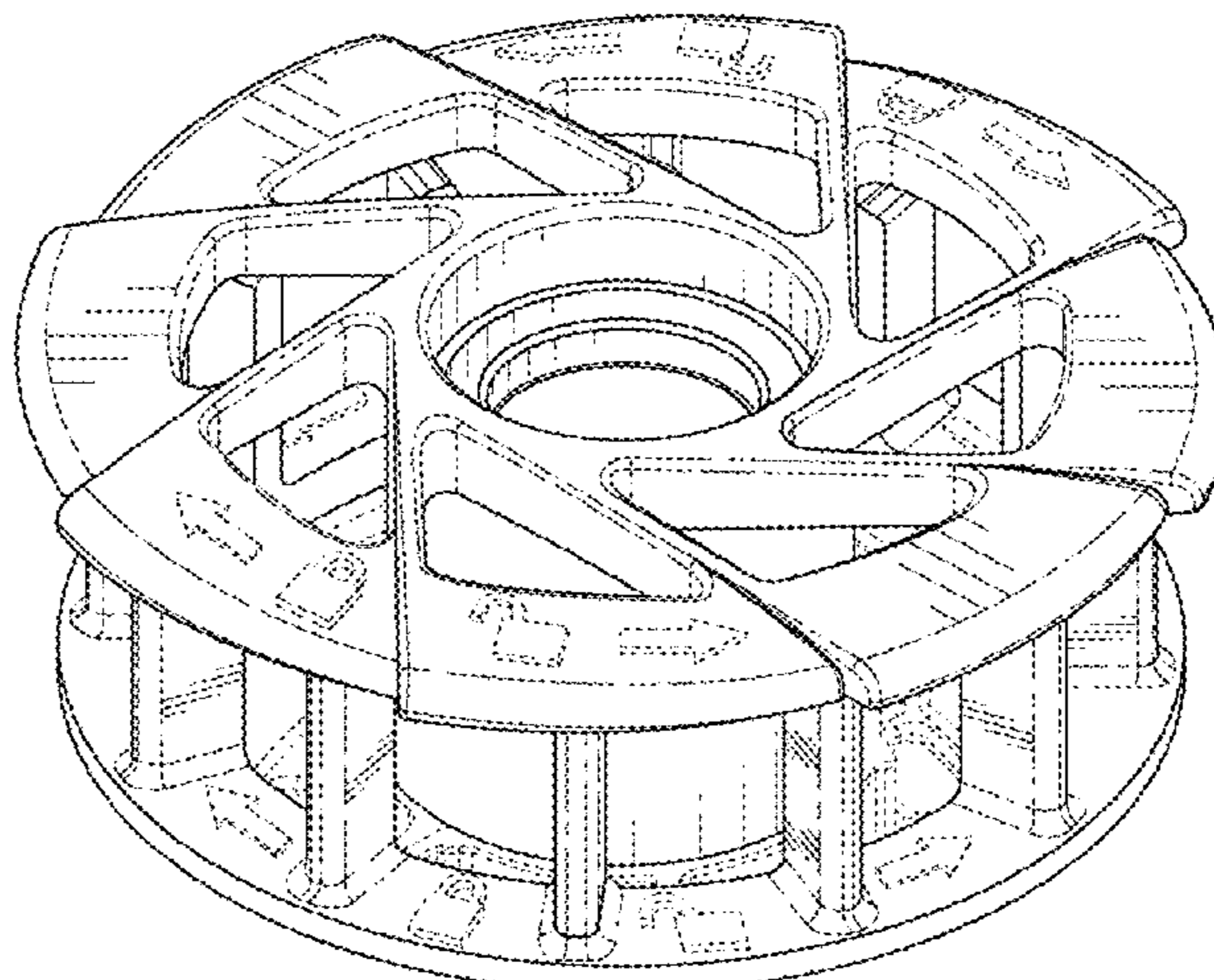
(57) **CLAIM**

We claim the ornamental design for a dishwasher filter cap, as shown and described.

DESCRIPTION

FIG. 1 is a front, right perspective view of our new design for a dishwasher filter cap;
 FIG. 2 is a front elevation view of the dishwasher filter cap of FIG. 1;
 FIG. 3 is a back elevation view of the dishwasher filter cap of FIG. 1;
 FIG. 4 is a right elevation view of the dishwasher filter cap of FIG. 1;
 FIG. 5 is a left elevation view of the dishwasher filter cap of FIG. 1;
 FIG. 6 is a top plan view of the dishwasher filter cap of FIG. 1; and,
 FIG. 7 is a bottom plan view of the dishwasher filter cap of FIG. 1.
 The broken lines in FIGS. 1-6 form no part of the claimed design.

1 Claim, 5 Drawing Sheets



(56)

References Cited

U.S. PATENT DOCUMENTS

D799,764 S *	10/2017	Haft	D32/3
D799,765 S *	10/2017	Haft	D32/3
D799,766 S *	10/2017	Haft	D32/3
D800,398 S *	10/2017	Haft	D32/3
2004/0200507 A1 *	10/2004	Williams	A47L 15/4246 134/25.2

* cited by examiner

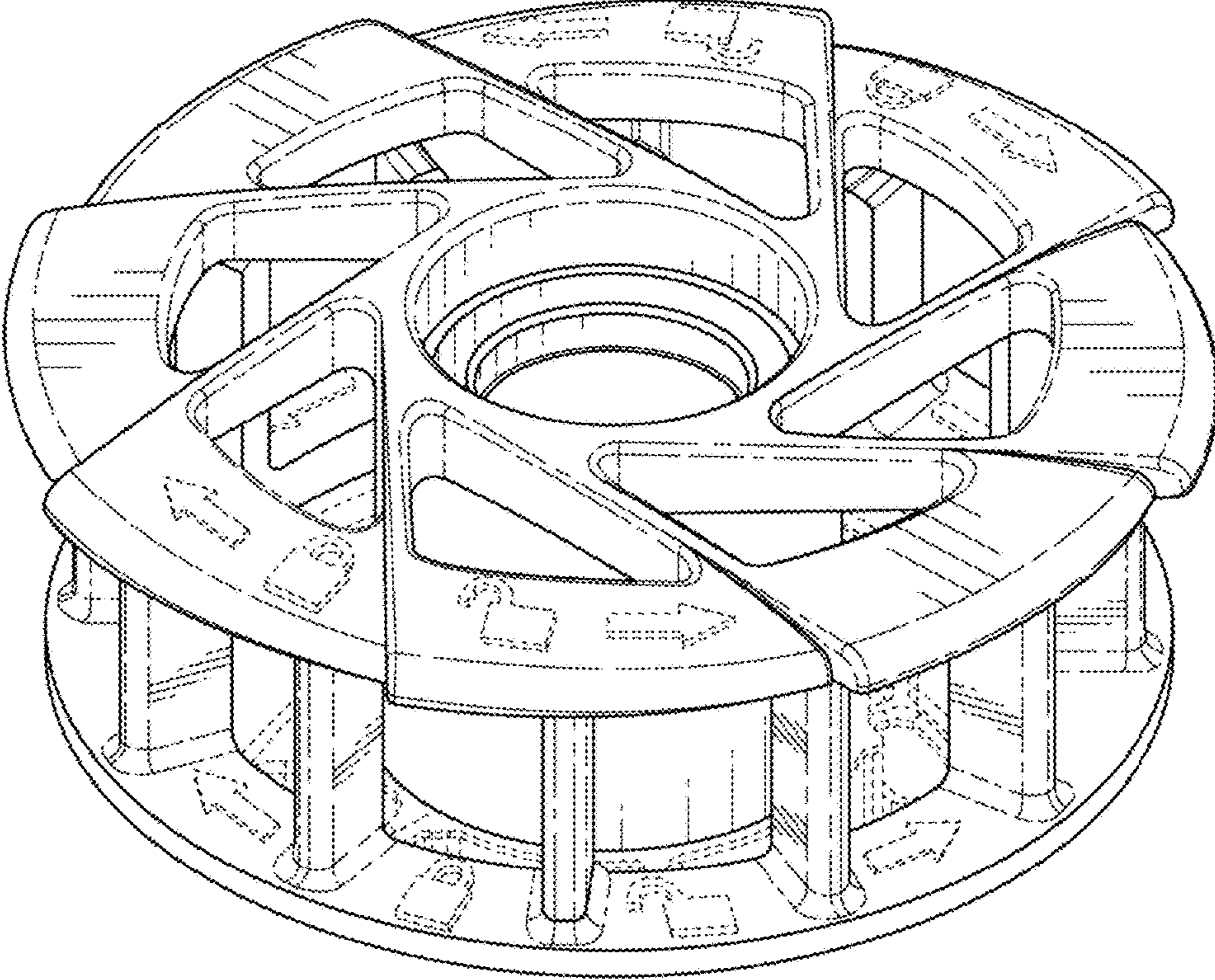


FIG. 1

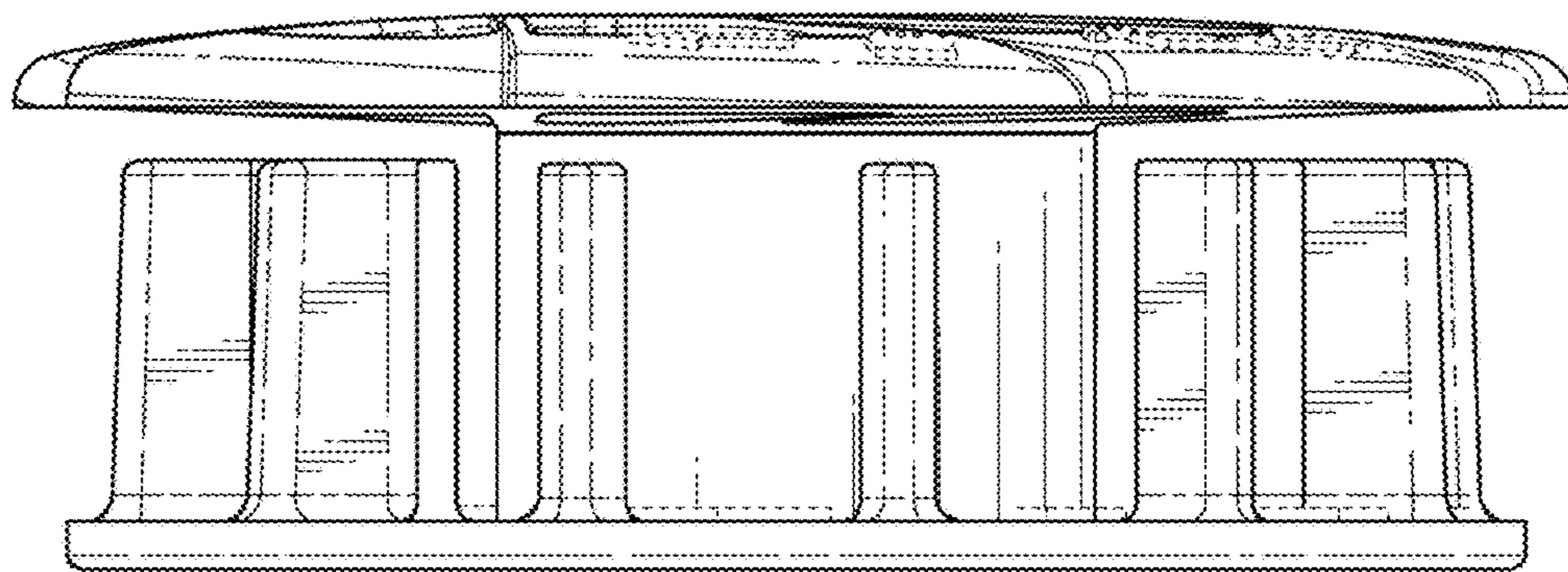


FIG. 2

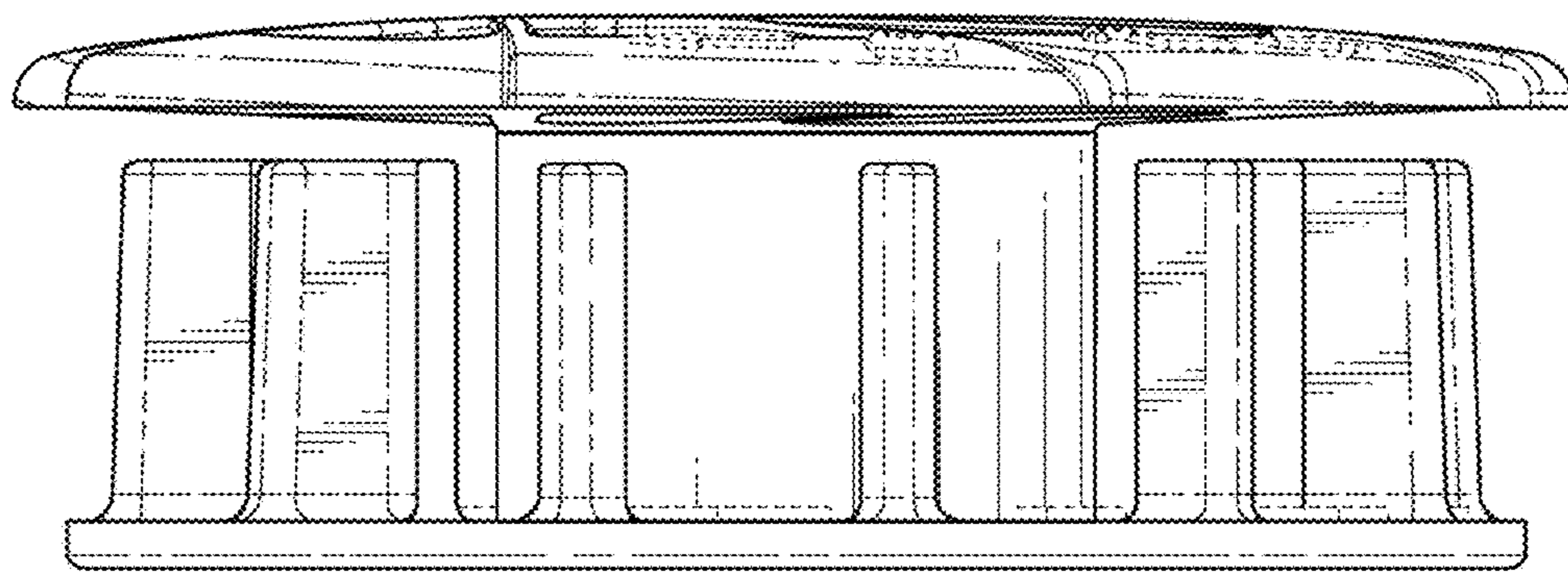


FIG. 3

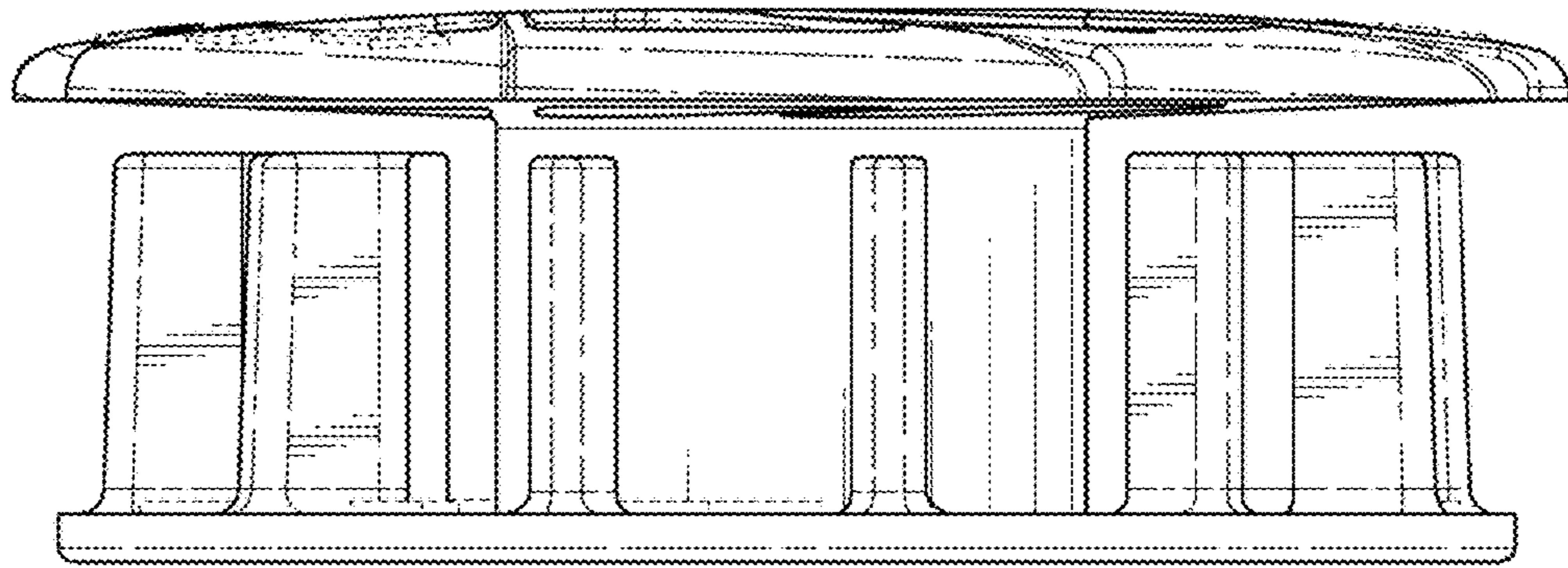


FIG. 4

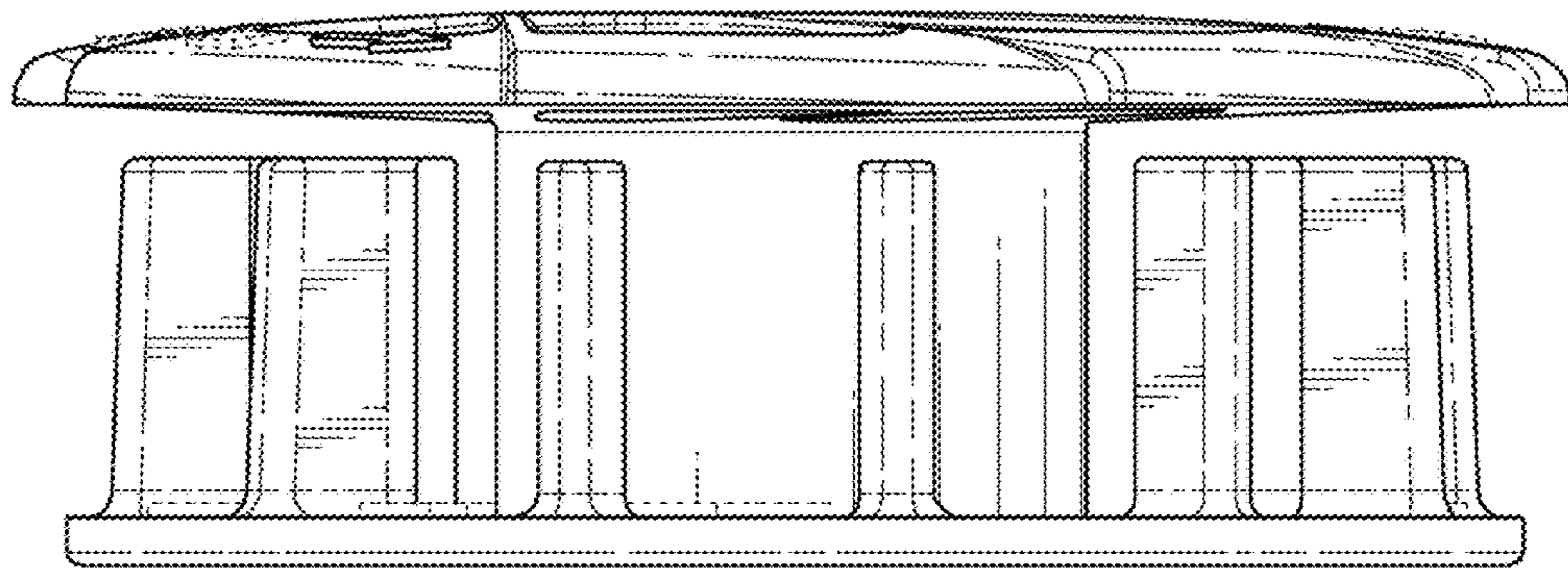


FIG. 5

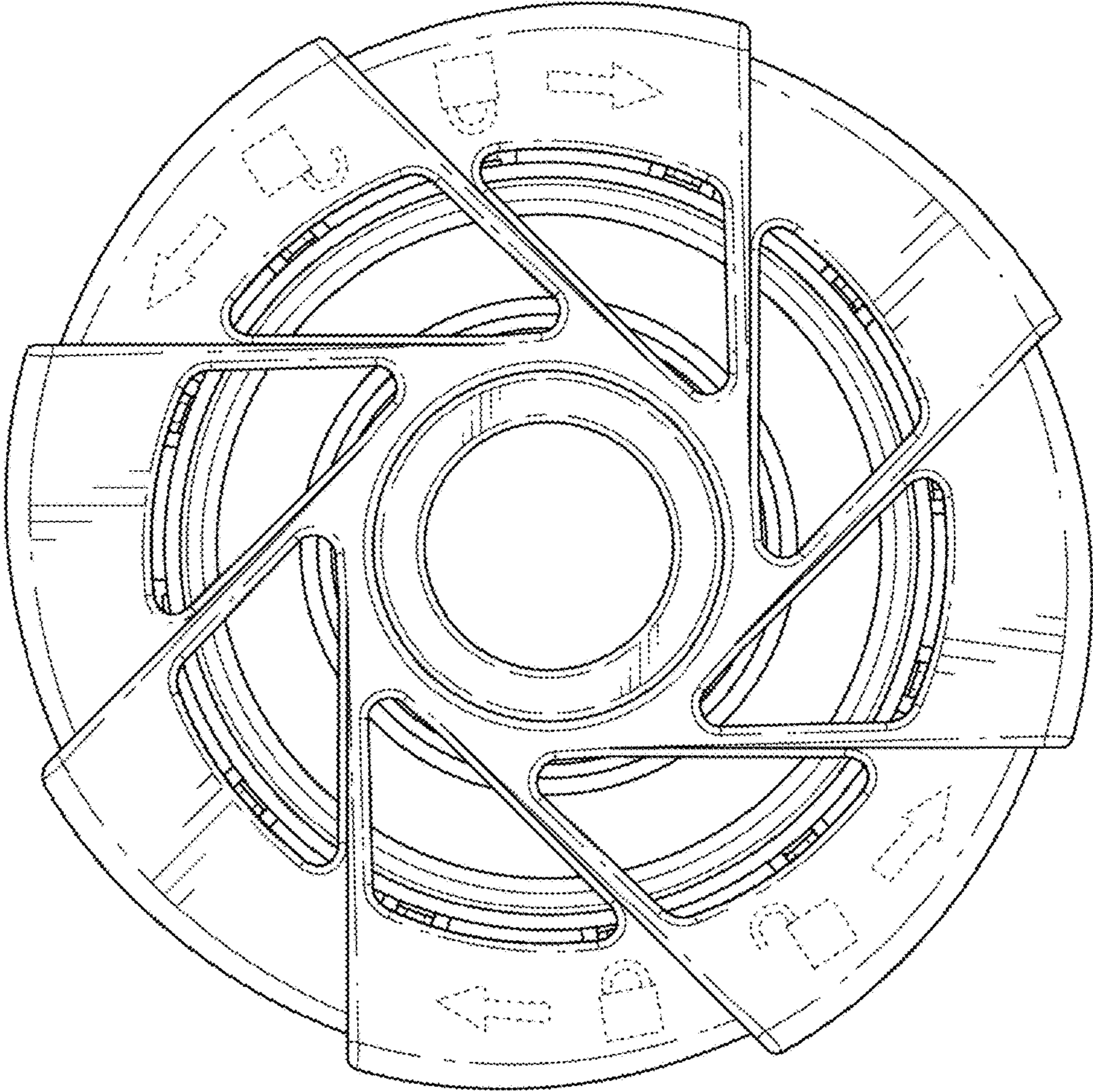


FIG. 6

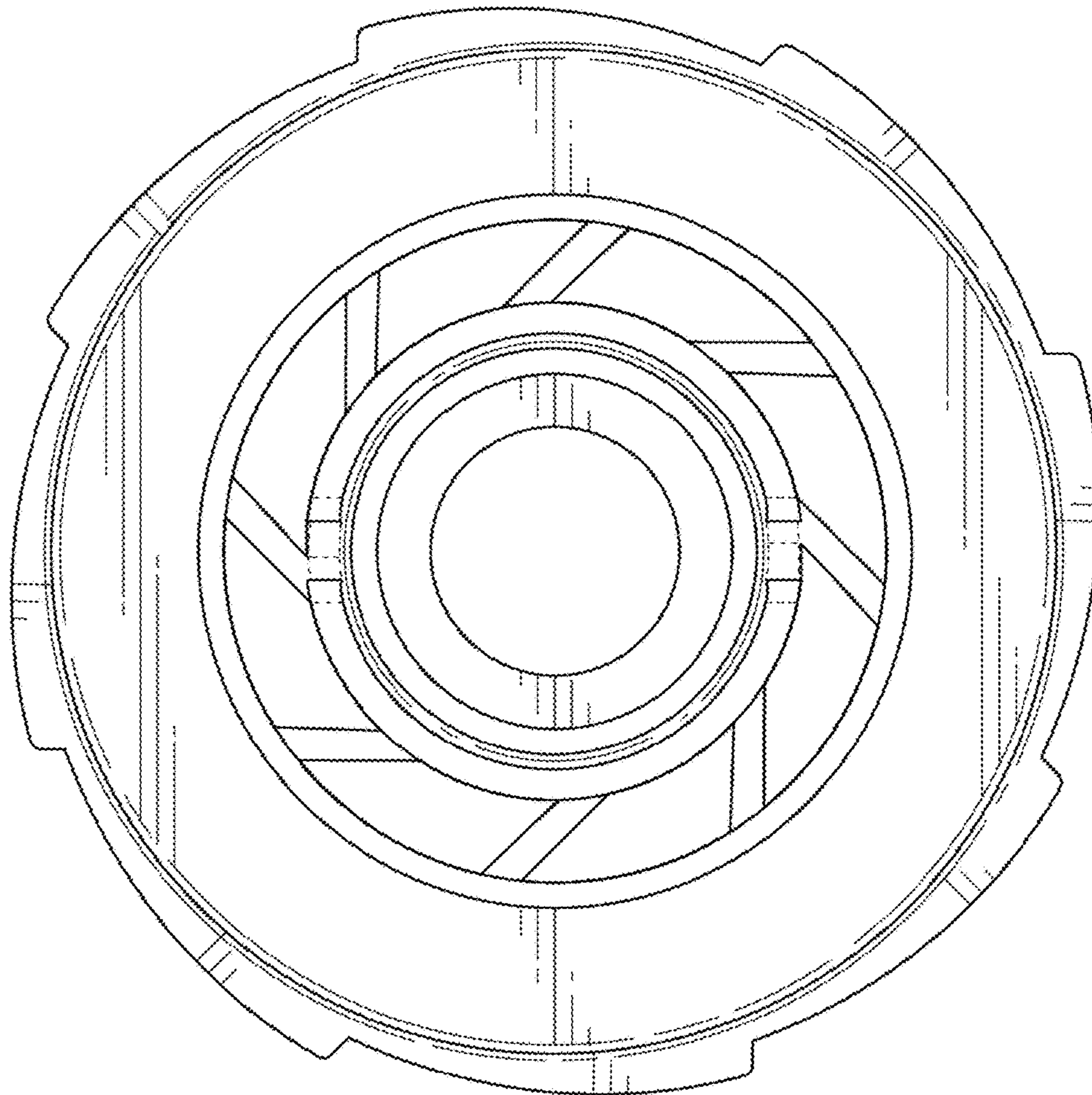


FIG. 7