



US00D858006S

(12) **United States Design Patent**
Giddings

(10) **Patent No.:** **US D858,006 S**

(45) **Date of Patent:** **** Aug. 27, 2019**

(54) **CAT LITTER BOX**

(71) Applicant: **David Giddings**, Tustin, CA (US)

(72) Inventor: **David Giddings**, Tustin, CA (US)

(**) Term: **15 Years**

(21) Appl. No.: **29/609,444**

(22) Filed: **Jun. 30, 2017**

(51) **LOC (12) Cl.** **30-99**

(52) **U.S. Cl.**
USPC **D30/161**

(58) **Field of Classification Search**
USPC D30/108–120, 161, 162, 199; D3/304;
119/8.5, 161, 163, 165, 166, 167, 168,
119/169, 170, 452, 453, 482, 496, 498,
119/499, 702, 707
CPC A01K 1/0114; A01K 1/011; A01K 1/0107;
A01K 1/0353

See application file for complete search history.

(56) **References Cited**

U.S. PATENT DOCUMENTS

D248,333	S *	6/1978	Haugen	D30/108
D250,051	S *	10/1978	Spinks	119/165
4,325,325	A	4/1982	Larter		
D298,371	S *	11/1988	Reynolds	D30/161
D370,317	S *	5/1996	Kohus	119/161
5,564,366	A	10/1996	Hancock		
6,269,772	B1	8/2001	Mickey		
6,474,262	B1	11/2002	Ceccon		
6,561,130	B1	5/2003	Sage, Jr.		
D496,501	S *	9/2004	Walter	D30/161
7,166,047	B2 *	1/2007	May	A63B 43/00 473/569
7,188,583	B2	3/2007	Sage, Jr.		
D586,255	S *	2/2009	Rashid	D11/152
D605,337	S *	12/2009	Zhang	D26/93
D626,702	S *	11/2010	Sacher	D30/118
D632,026	S *	2/2011	Higashi	D30/118

8,375,895	B2	2/2013	Omps		
D681,885	S *	5/2013	Pitter	D30/121
D716,002	S *	10/2014	Greenan	D30/121
8,973,530	B2	3/2015	Spreitzer		
D733,609	S *	7/2015	Sade	D11/152
D753,886	S *	4/2016	Veness	D30/161
2015/0173324	A1	6/2015	Cameron et al.		
2017/0000351	A1 *	1/2017	Fright	A61B 5/0077

* cited by examiner

Primary Examiner — Barbara Fox

Assistant Examiner — Mehri F Bajoul

(74) *Attorney, Agent, or Firm* — David Duckworth

(57) **CLAIM**

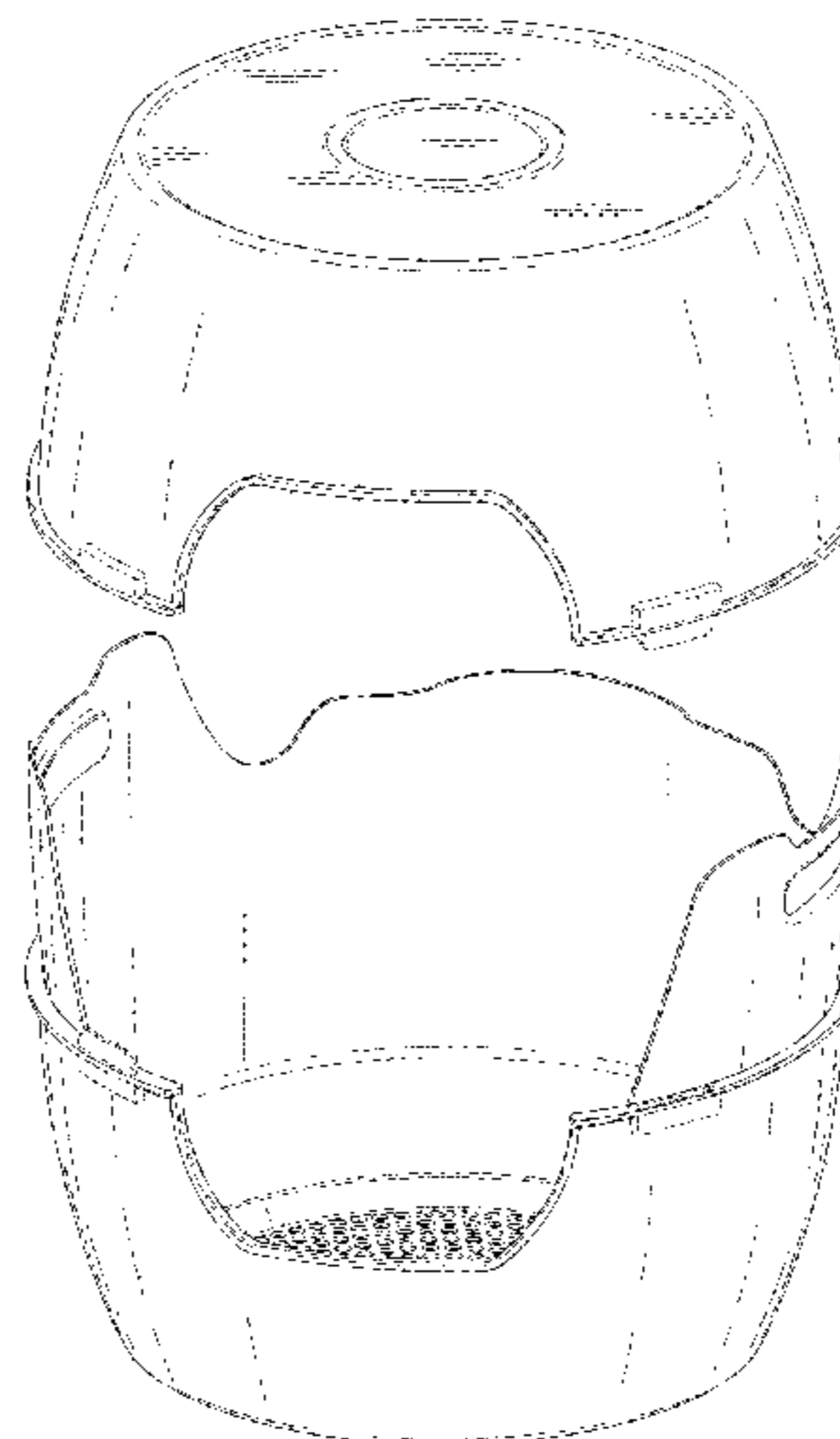
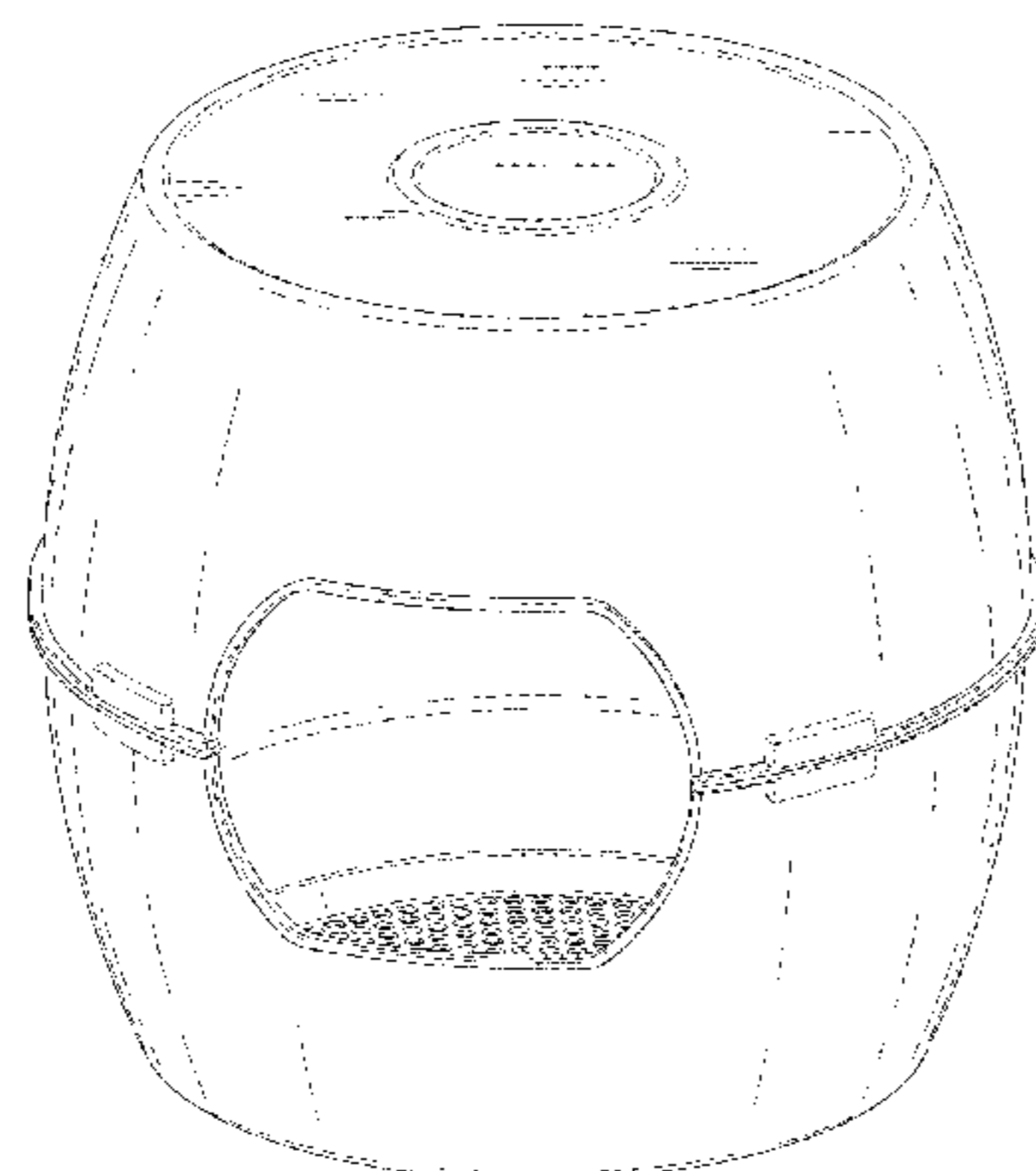
The ornamental design for a cat litter box, as shown and described.

DESCRIPTION

FIG. 1 is a front top perspective view of a cat litter box showing my new design;
 FIG. 2 is a front elevation view thereof;
 FIG. 3 is a rear elevation view thereof;
 FIG. 4 is a left side view thereof;
 FIG. 5 is a right side view thereof;
 FIG. 6 is a top plan view thereof;
 FIG. 7 is a bottom plan view thereof;
 FIG. 8 is a partially exploded right perspective view thereof;
 FIG. 9 is an exploded right perspective view thereof;
 FIG. 10 is a front elevation view of the middle tray shown separately from the complete cat litter box;
 FIG. 11 is a rear elevation view thereof;
 FIG. 12 is a right side view thereof;
 FIG. 13 is left side view thereof;
 FIG. 14 is a top plan view thereof; and,
 FIG. 15 is a bottom plan view thereof.

The broken lines in the drawings depict portions of the cat litter box that forms no part of the claimed design.

1 Claim, 12 Drawing Sheets



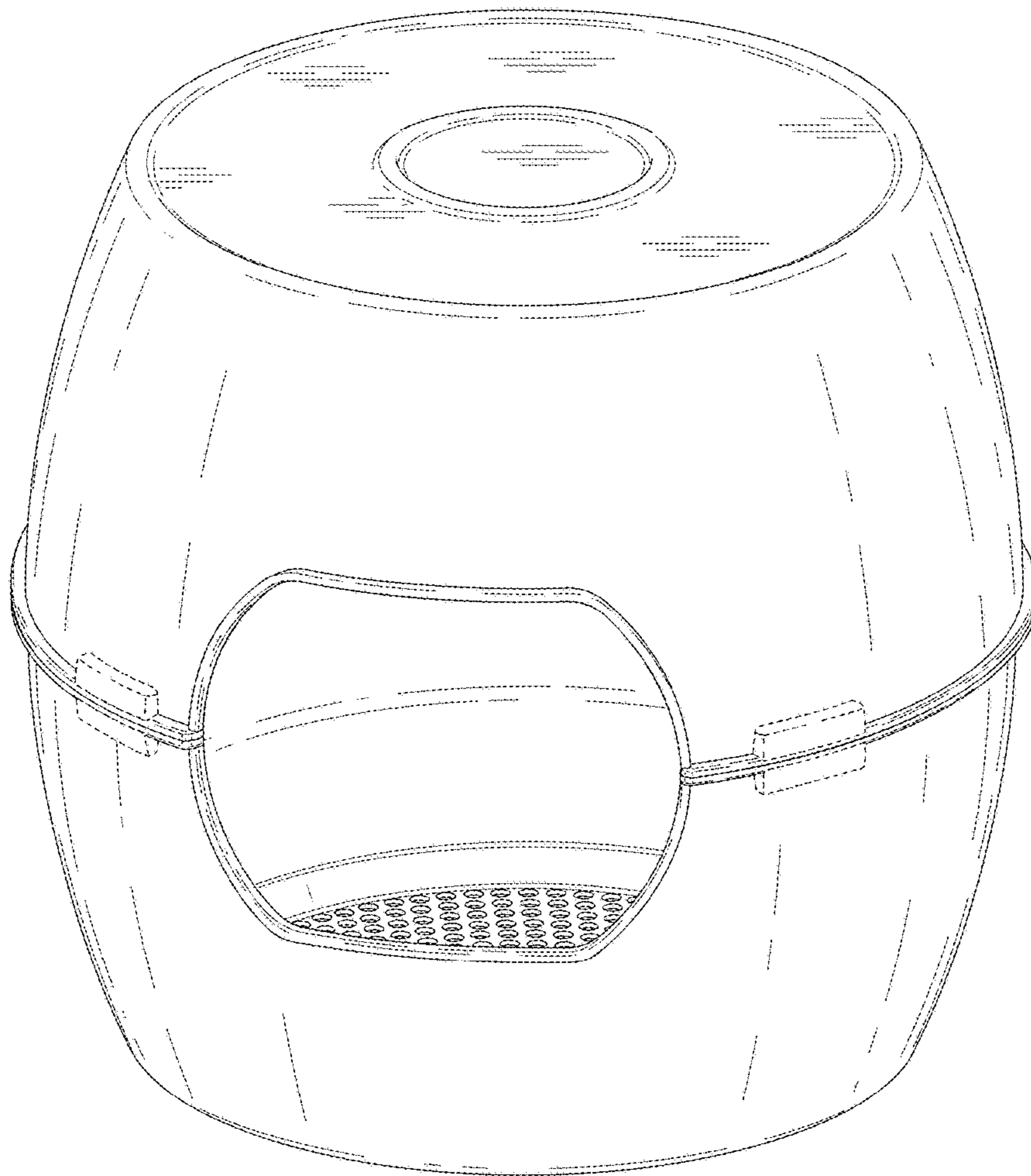


Fig. 1

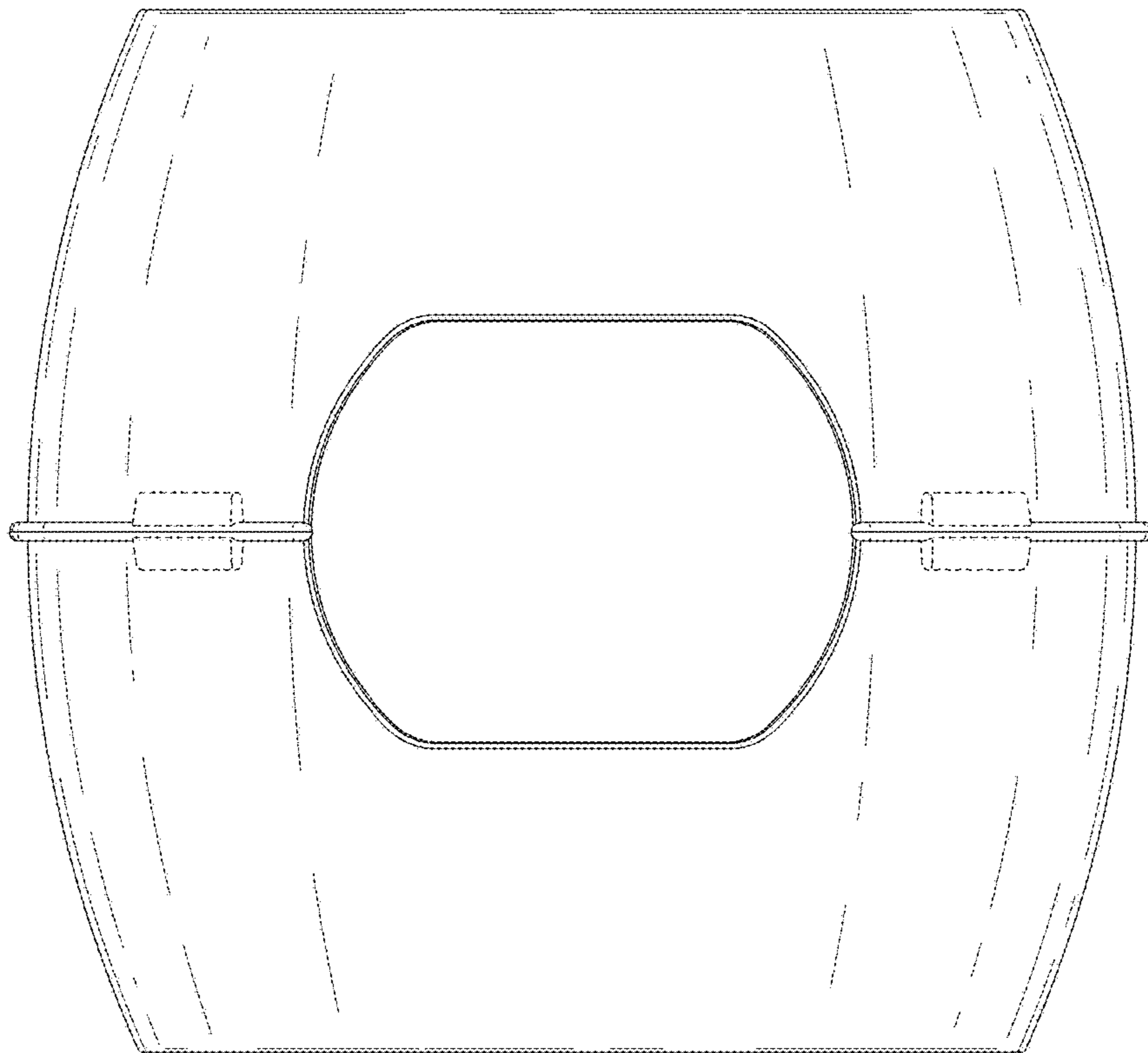


Fig. 2

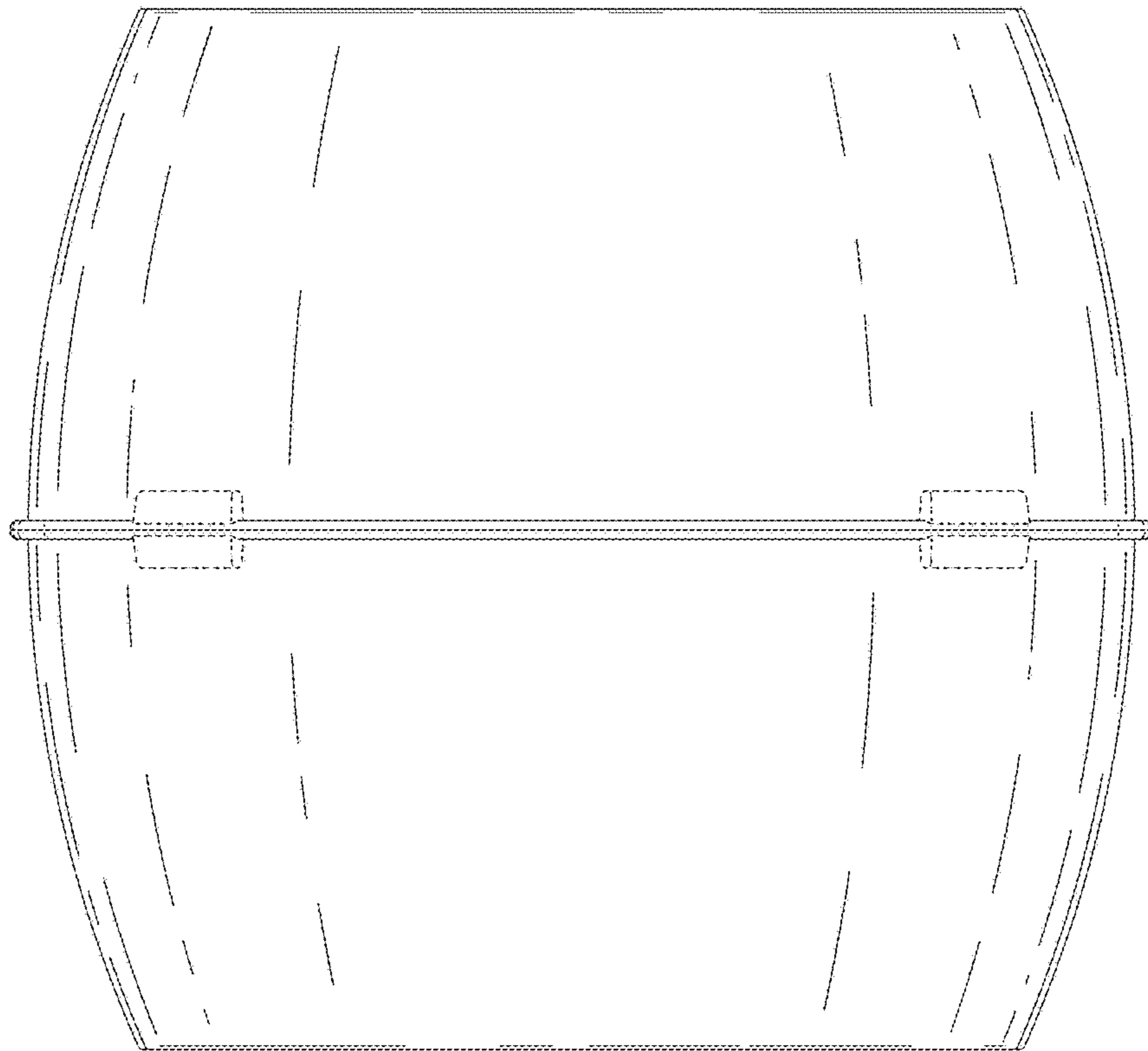


Fig. 3

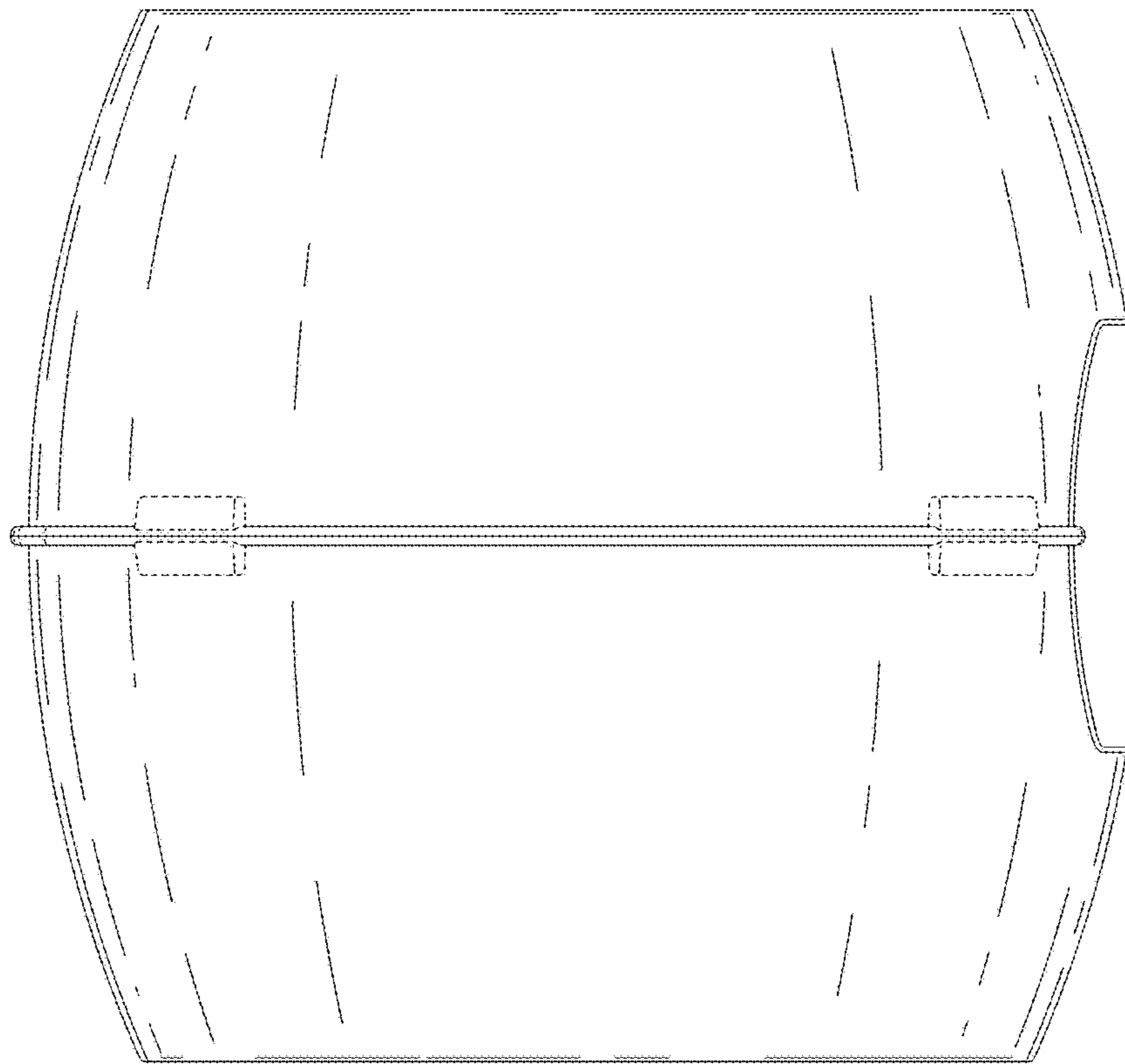


Fig. 4

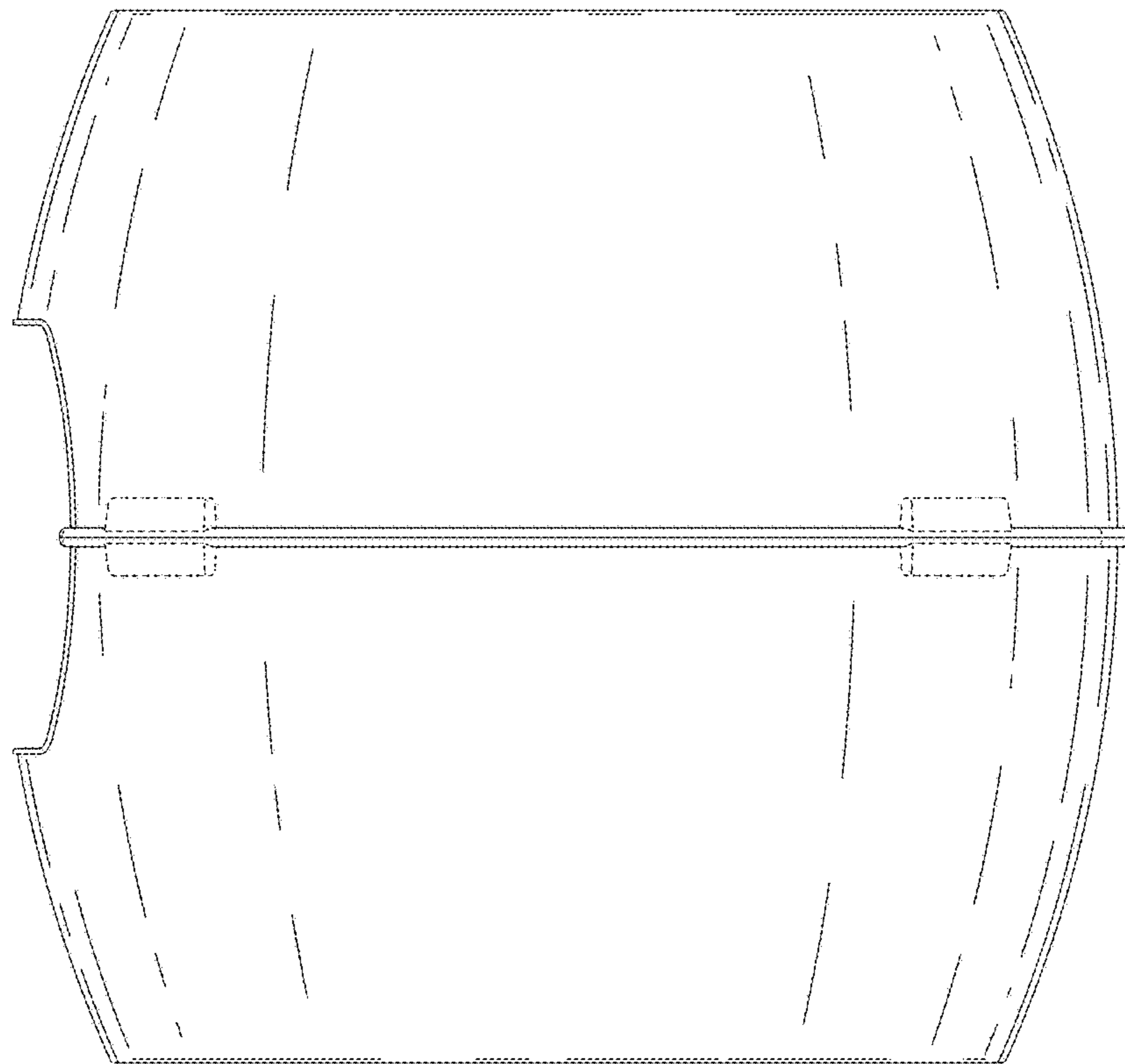


Fig. 5

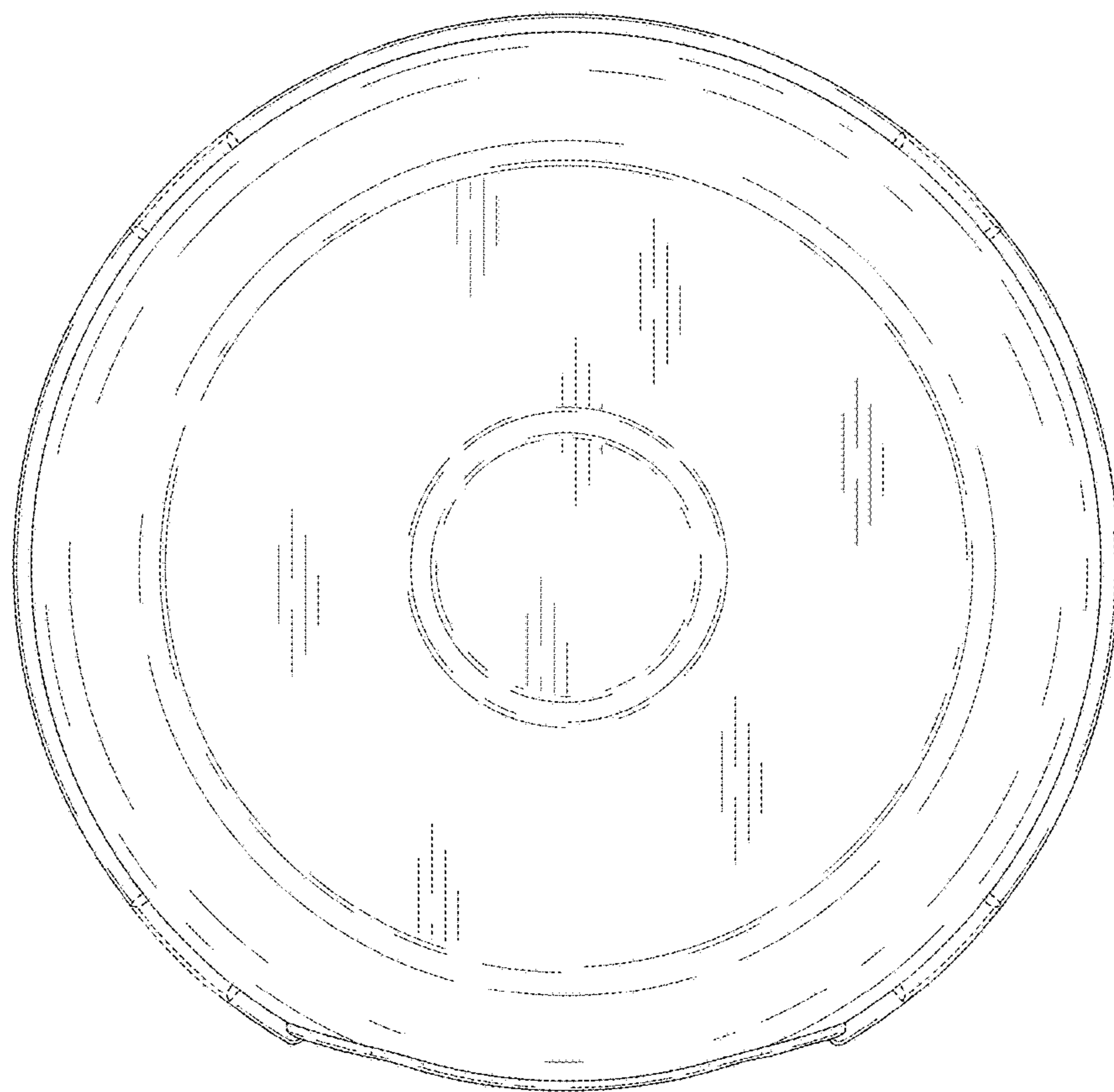


Fig. 6

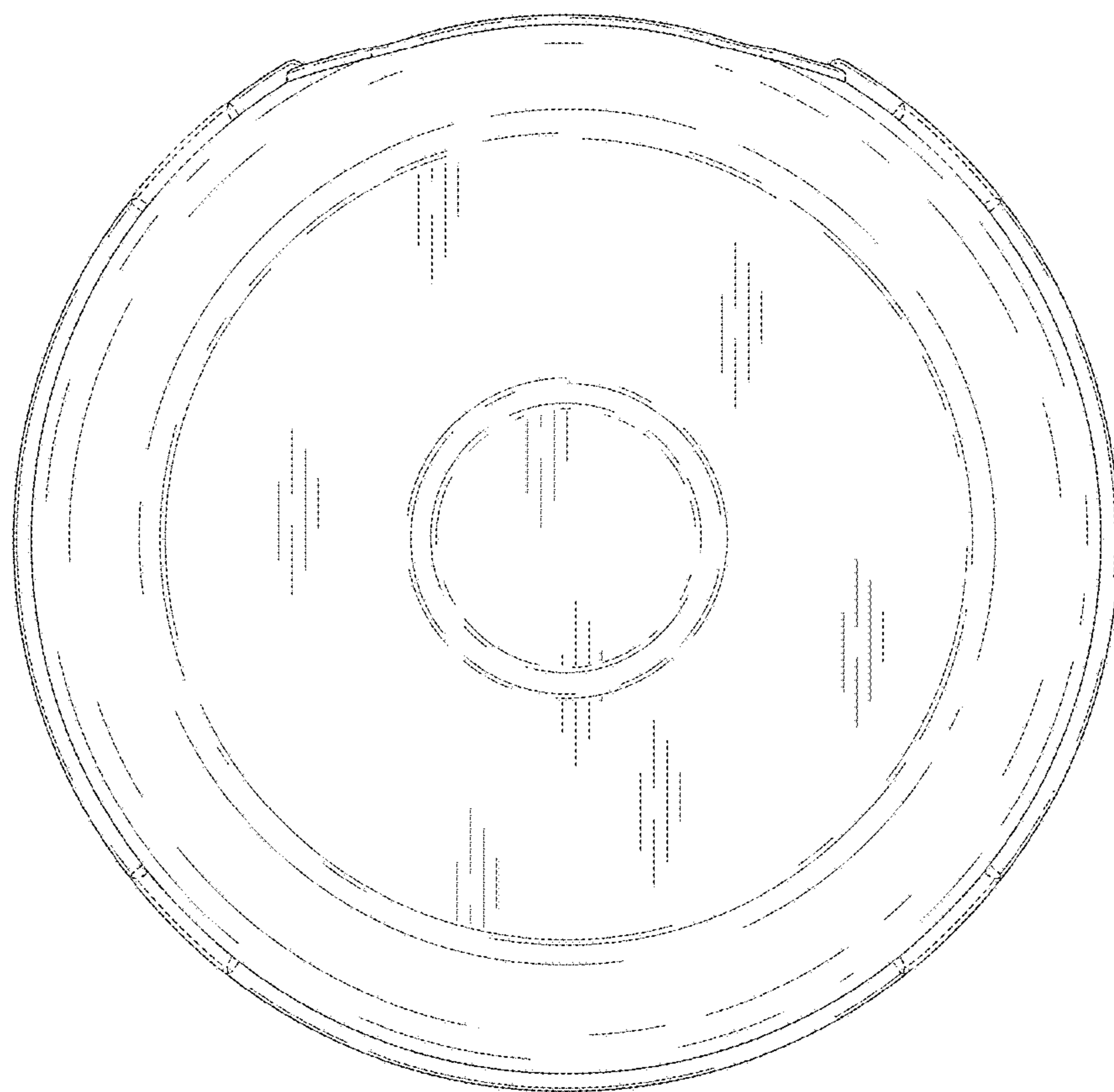


Fig. 7

Fig. 8

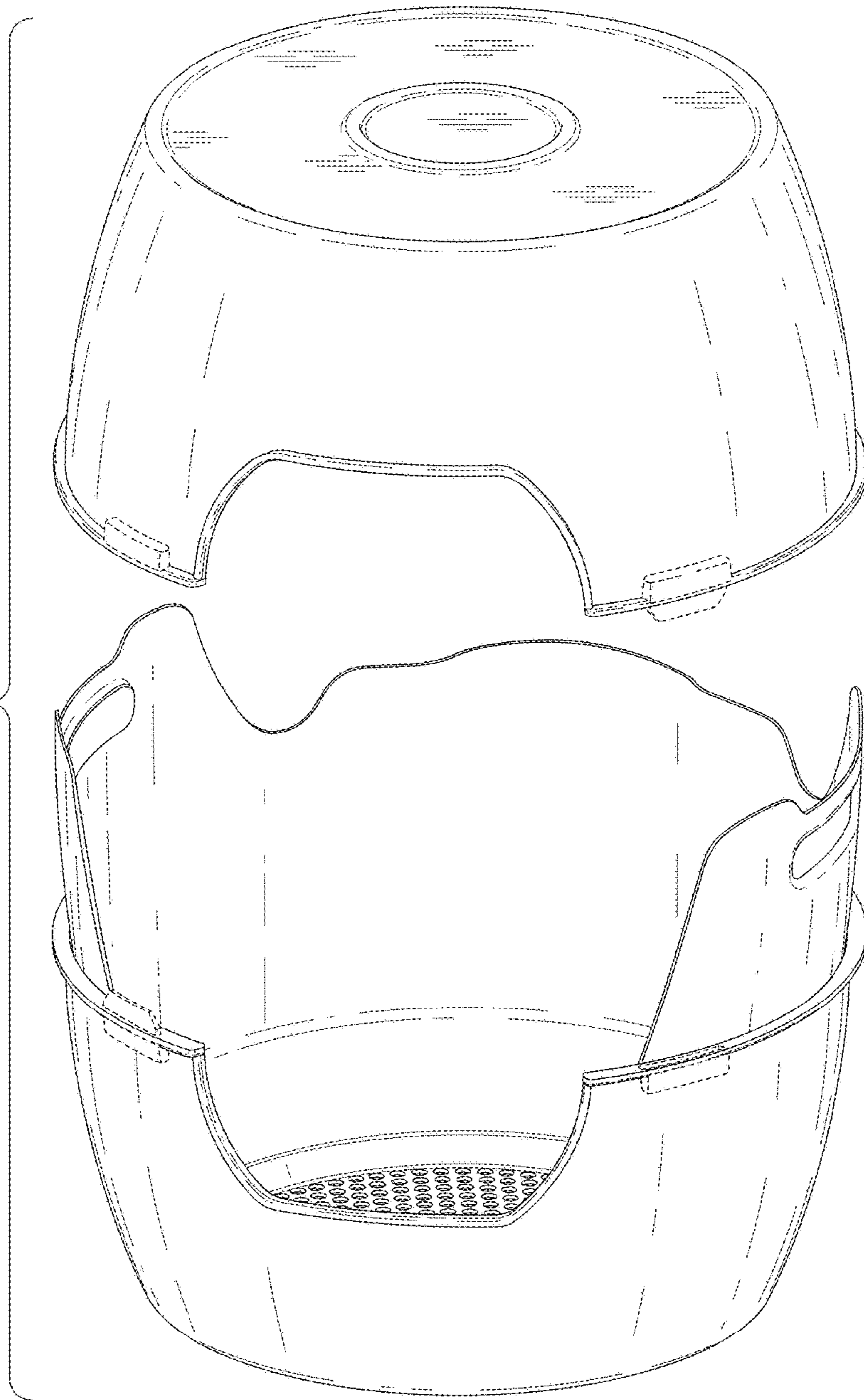
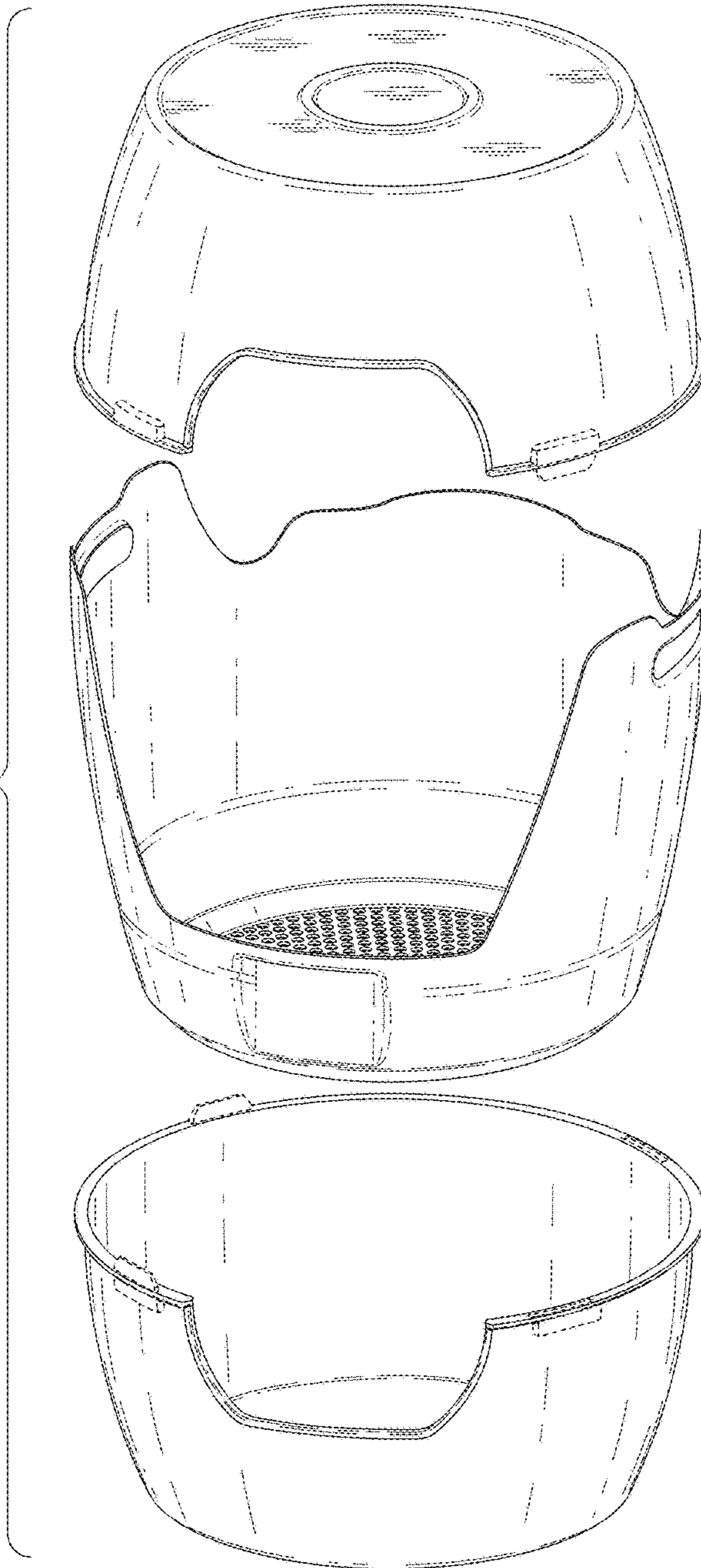


Fig. 9



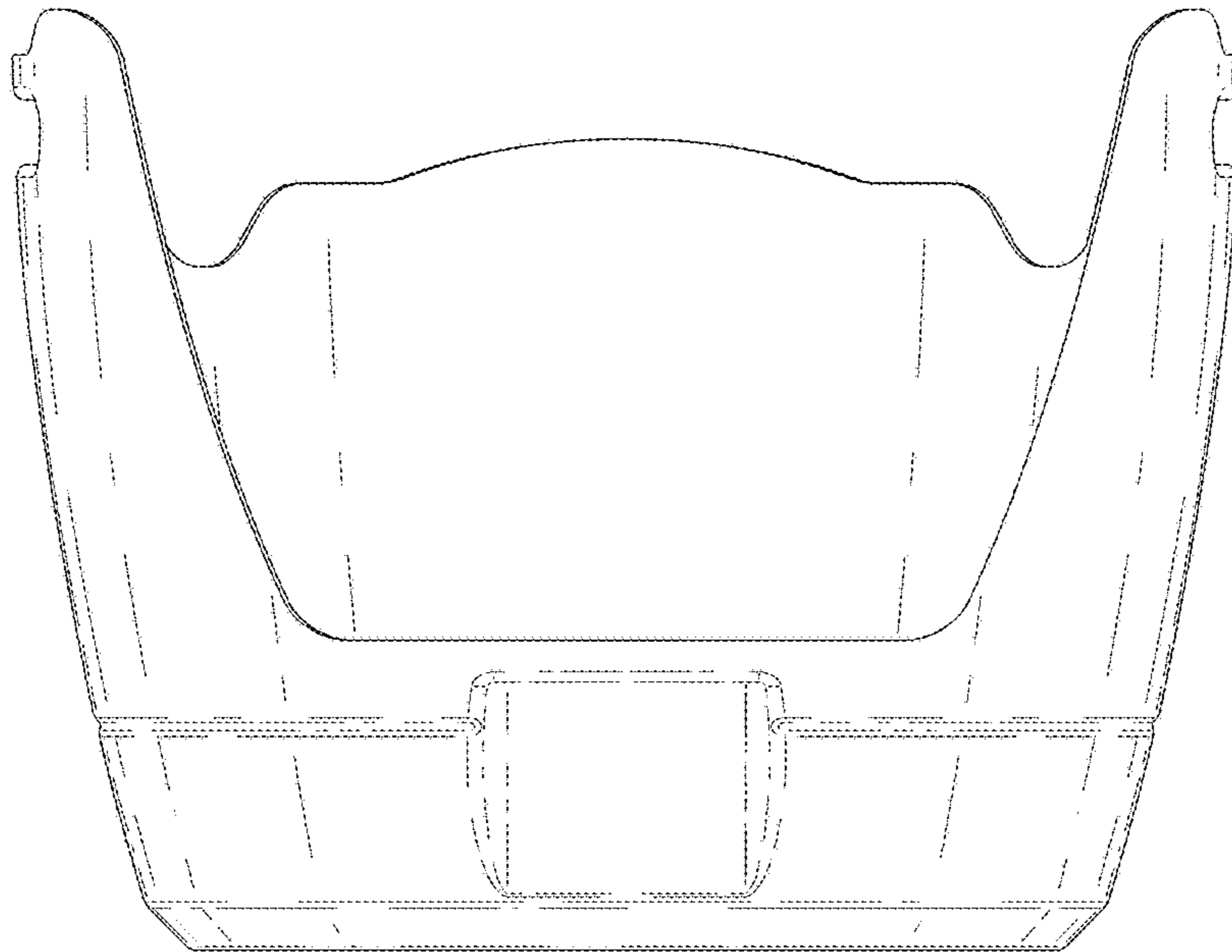


Fig. 10

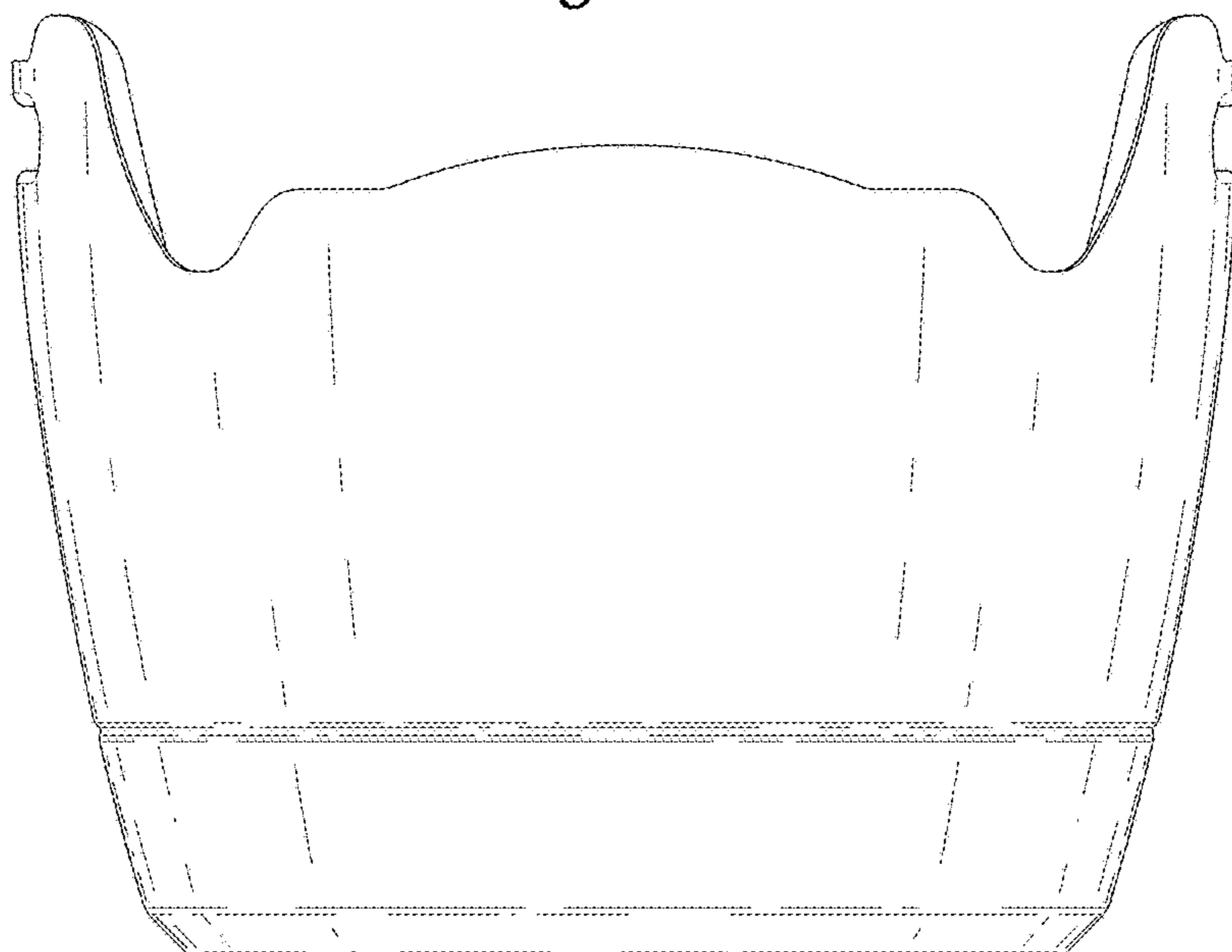


Fig. 11

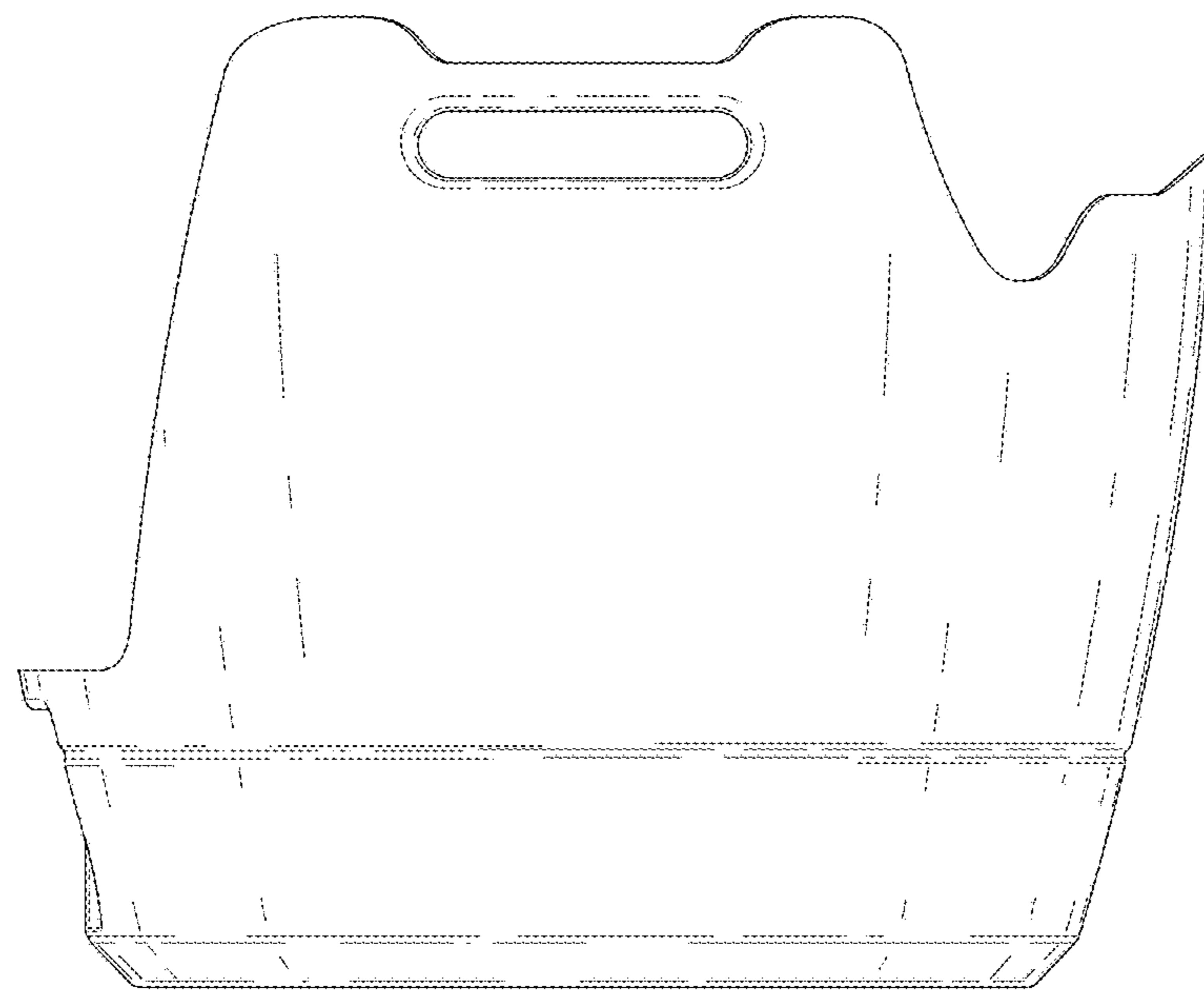


Fig. 12

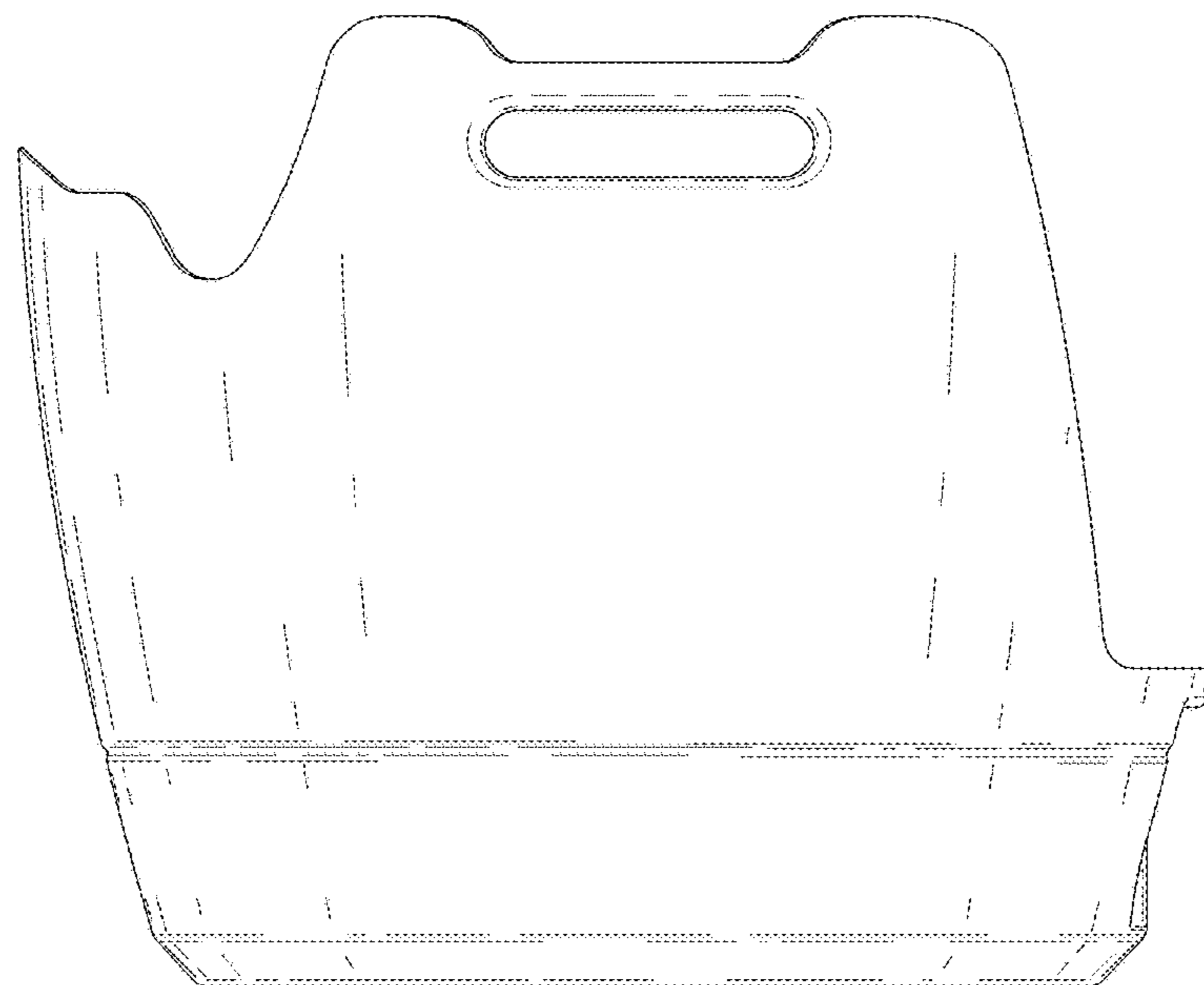


Fig. 13

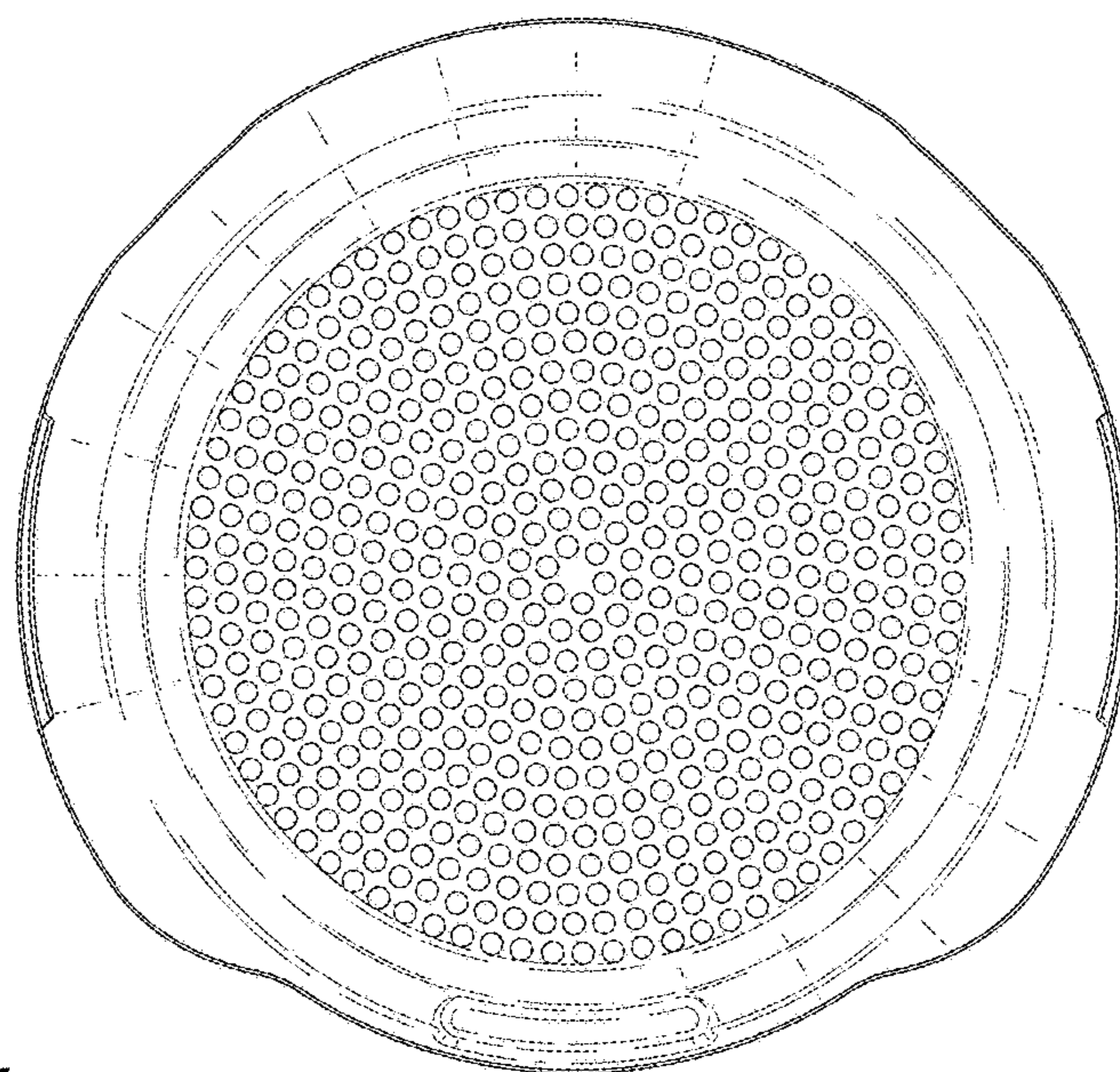


Fig. 14

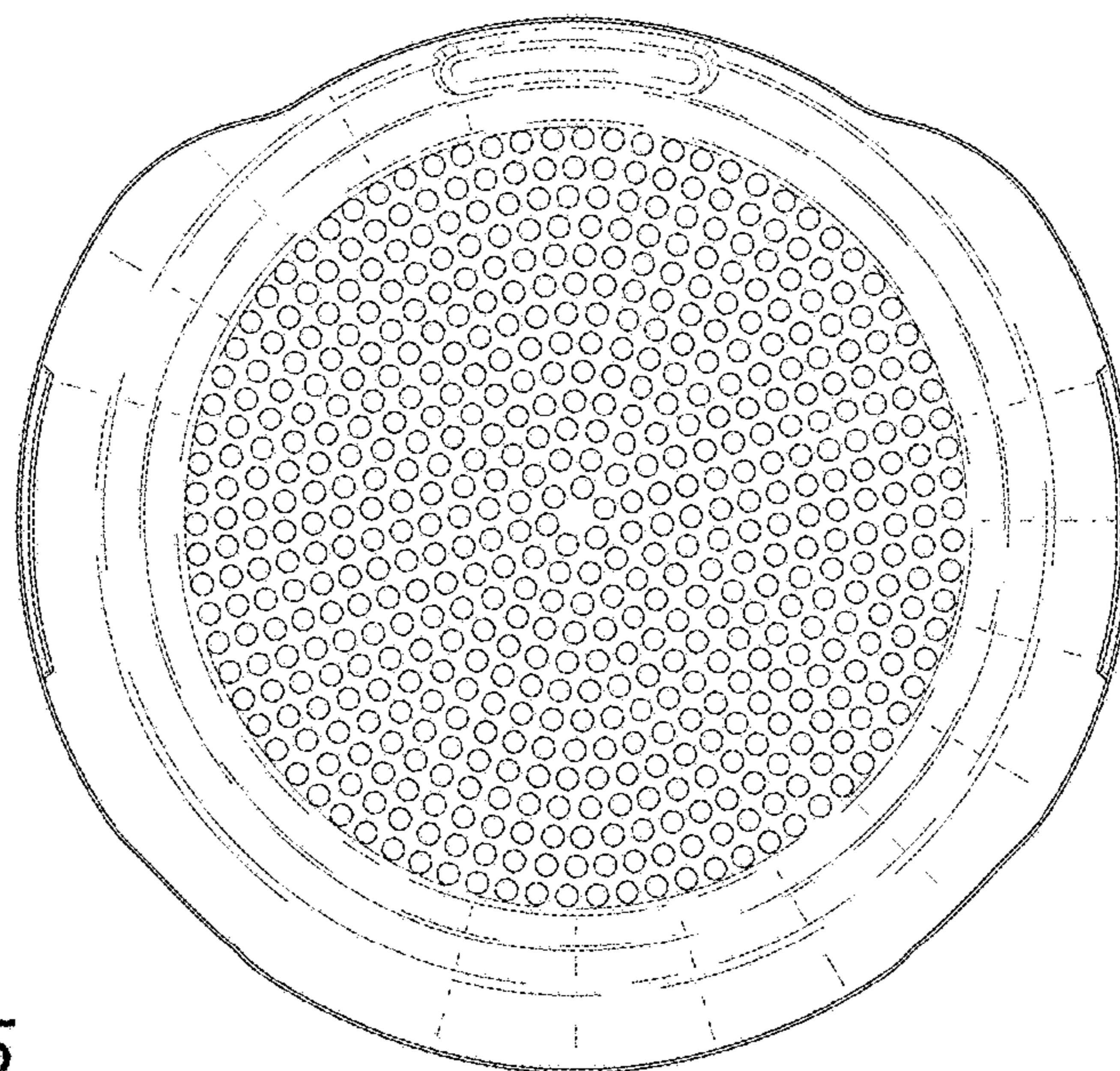


Fig. 15