



US00D858000S

(12) **United States Design Patent**
Zartler

(10) **Patent No.:** **US D858,000 S**

(45) **Date of Patent:** **** Aug. 27, 2019**

- (54) **LIGHTED WELDING HELMET**
- (71) Applicant: **Hud Zartler**, Margate, FL (US)
- (72) Inventor: **Hud Zartler**, Margate, FL (US)
- (**) Term: **15 Years**
- (21) Appl. No.: **29/648,483**
- (22) Filed: **May 22, 2018**
- (51) **LOC (12) Cl.** **29-02**
- (52) **U.S. Cl.**
USPC **D29/110**
- (58) **Field of Classification Search**
USPC D29/110, 102, 106, 107, 122, 108;
D24/110.1, 110.2, 110.3
CPC .. A61F 9/06; A61F 9/061; A61F 9/064; A61F
9/065; A61F 9/067; A61F 9/068
See application file for complete search history.

- D489,492 S * 5/2004 Wu D29/110
- 6,973,672 B2 * 12/2005 Huh A61F 9/067
2/8.1
- D520,684 S * 5/2006 Martin D29/110
- D521,190 S * 5/2006 Wu D29/110
- D527,849 S * 9/2006 Huh D29/110
- D530,864 S * 10/2006 Huh D29/110
- 7,161,116 B2 1/2007 Steinemann
- D540,989 S * 4/2007 Huh D29/110
- D540,990 S * 4/2007 Huh D29/110
- D565,801 S * 4/2008 Curci D29/110
- D584,858 S * 1/2009 Wang D29/110
- D586,956 S * 2/2009 Huh D29/110
- D628,750 S 12/2010 Schwanz
- D636,129 S * 4/2011 Wu D29/110
- 7,934,846 B1 5/2011 Schwanz
- D654,224 S * 2/2012 Wu D29/110
- D654,225 S * 2/2012 Wu D29/110
- D654,226 S * 2/2012 Wu D29/110
- D654,634 S * 2/2012 Wu D29/110
- D669,227 S * 10/2012 Wang D29/110

(Continued)

Primary Examiner — Elizabeth J Oswecki

(56) **References Cited**

U.S. PATENT DOCUMENTS

- 4,332,004 A 5/1982 Slaughter
- 4,863,244 A * 9/1989 Fuerthbauer A61F 9/067
349/14
- D310,276 S * 8/1990 Fuerthbauer D29/110
- 5,302,815 A * 4/1994 Eggenschwiler A61F 9/067
2/8.8
- D365,666 S * 12/1995 Gumpp D29/110
- 5,533,206 A * 7/1996 Petrie A61F 9/064
2/8.5
- D393,933 S * 4/1998 Huh D29/110
- D398,421 S * 9/1998 Crafoord D29/110
- 6,185,739 B1 * 2/2001 Verkic A61F 9/06
2/8.1
- 6,340,234 B1 1/2002 Brown, Jr.
- D481,832 S * 11/2003 Huh D29/110
- D482,502 S * 11/2003 Huh D29/110
- D482,503 S * 11/2003 Huh D29/110

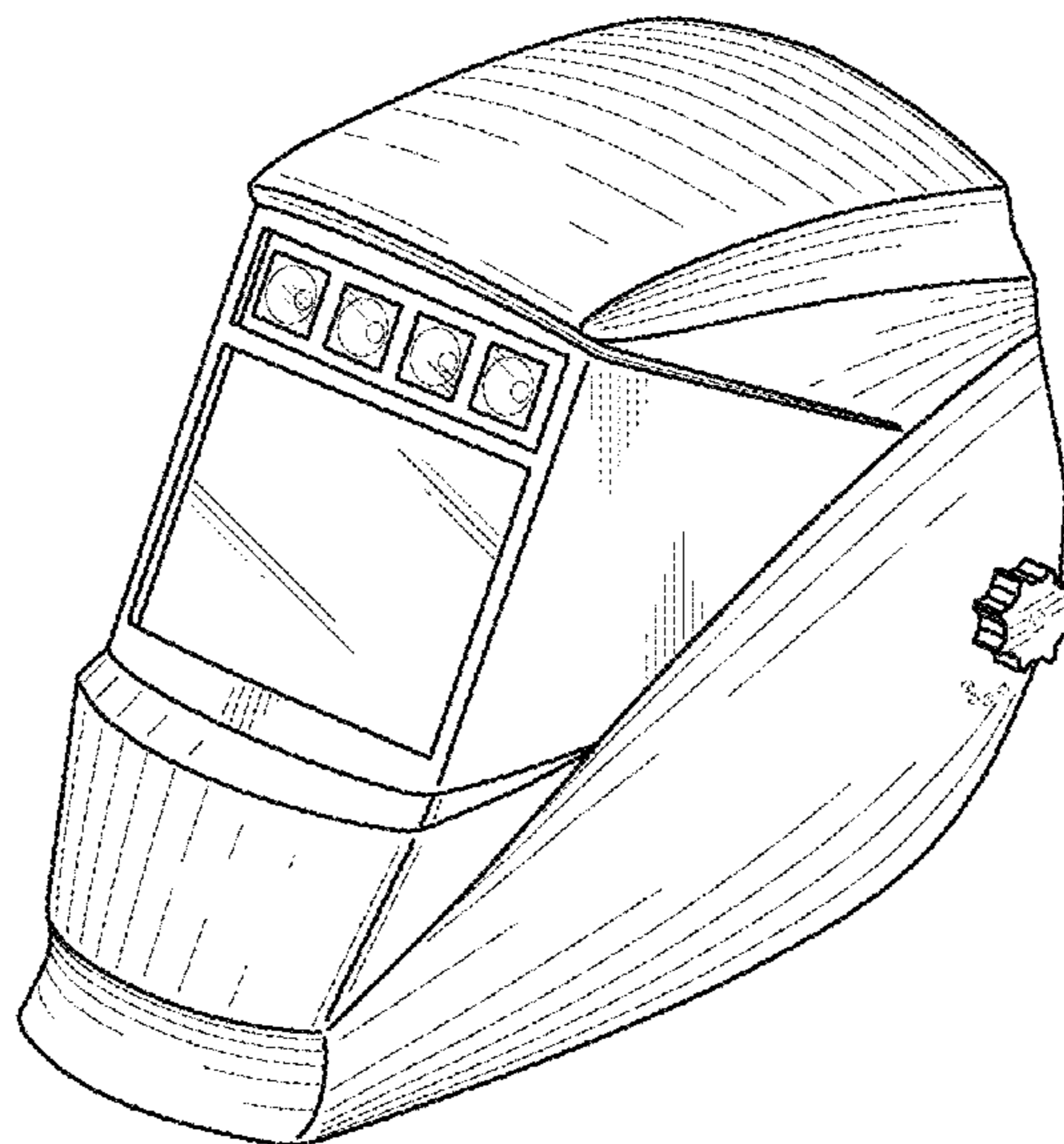
(57) **CLAIM**

The ornamental design for a lighted welding helmet, as shown and described.

DESCRIPTION

FIG. 1 is a front view of a lighted welding helmet showing my new design.
 FIG. 2 is a rear view thereof;
 FIG. 3 is a left side view thereof;
 FIG. 4 is a right side view thereof;
 FIG. 5 is a top view thereof;
 FIG. 6 is a bottom view thereof; and,
 FIG. 7 is a perspective view thereof.
 The broken lines appearing on FIGS. 2, 5 and 6 are of environmental matter forming no part of the claimed design.

1 Claim, 4 Drawing Sheets



(56)

References Cited

U.S. PATENT DOCUMENTS

8,955,162	B2 *	2/2015	Huh	A61F 9/067 2/8.2
D728,163	S *	4/2015	Zhou	D29/110
9,010,955	B2	4/2015	Robinson		
D732,746	S *	6/2015	Wu	D29/110
D734,558	S *	7/2015	Wu	D29/110
D742,075	S *	10/2015	Zhou	D29/110
D753,345	S *	4/2016	Yang	D29/110
D756,569	S *	5/2016	Yang	D29/110
D775,427	S *	12/2016	Zhou	D29/110
9,629,752	B1	4/2017	Graham		
D788,988	S *	6/2017	Zhou	D29/110
D788,989	S *	6/2017	Zhou	D29/110
D788,990	S *	6/2017	Johnson	D29/110
D789,614	S *	6/2017	Huh	D29/110
D793,008	S *	7/2017	Yang	D29/110
D793,009	S *	7/2017	Yang	D29/110
D793,626	S *	8/2017	Yang	D29/110
D796,118	S *	8/2017	Yang	D29/110
D833,683	S *	11/2018	Yang	D29/110
D834,259	S *	11/2018	Huang	D29/110
2007/0079417	A1 *	4/2007	Huh	A61F 9/065 2/8.2
2008/0060102	A1 *	3/2008	Matthews	A61F 9/061 2/8.2
2011/0107491	A1	5/2011	Sanders		

* cited by examiner

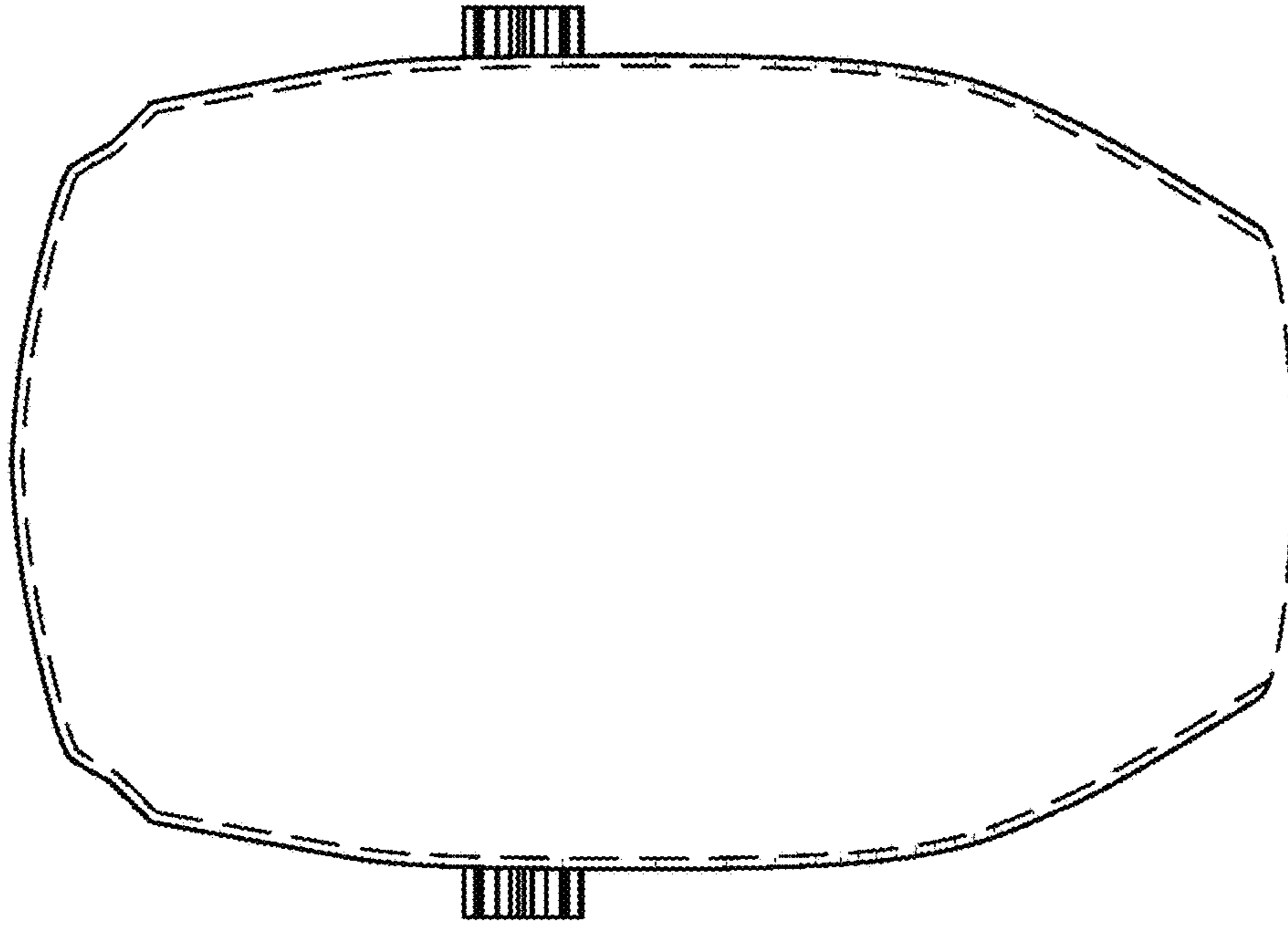


FIG. 2

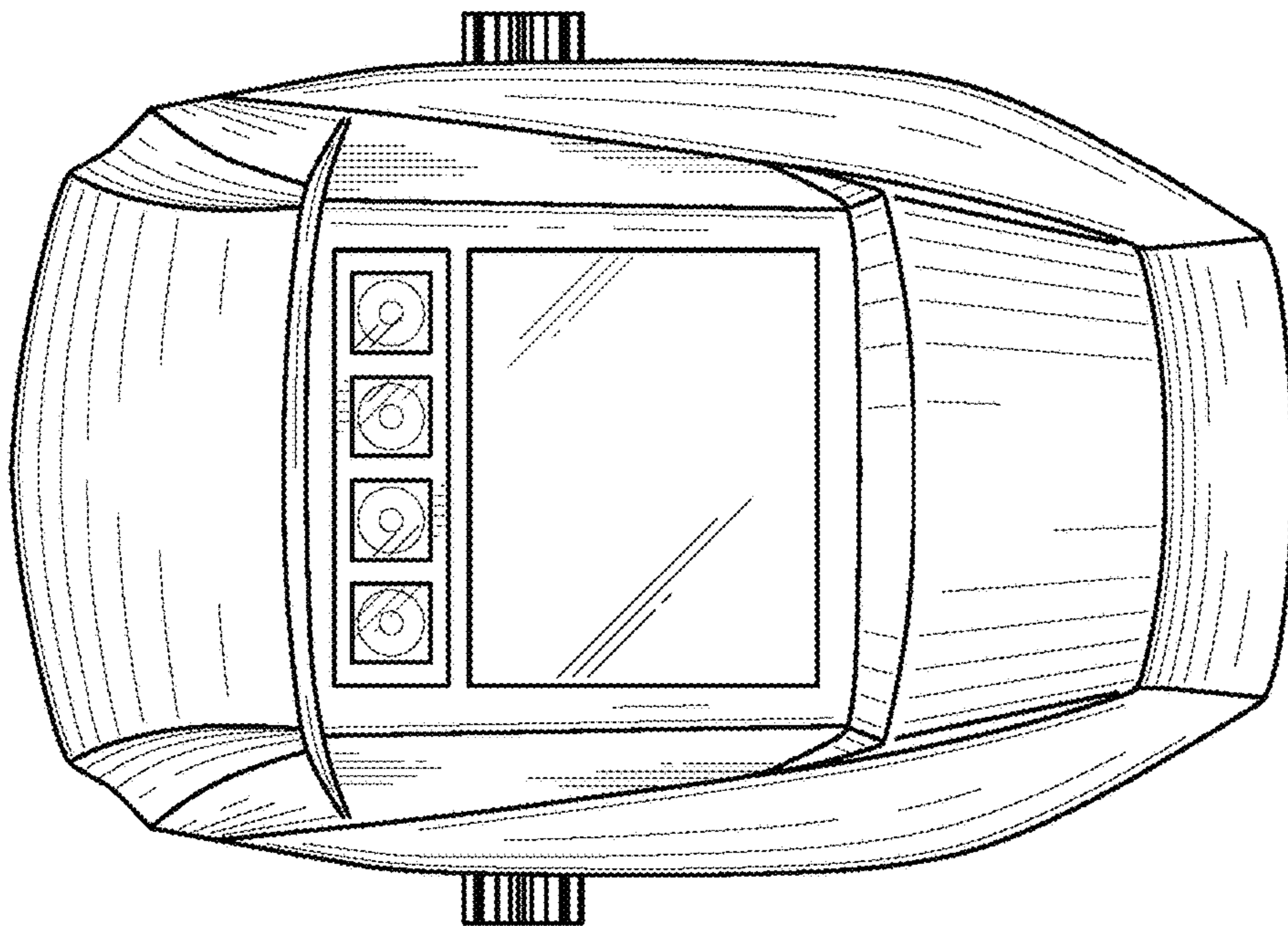


FIG. 1

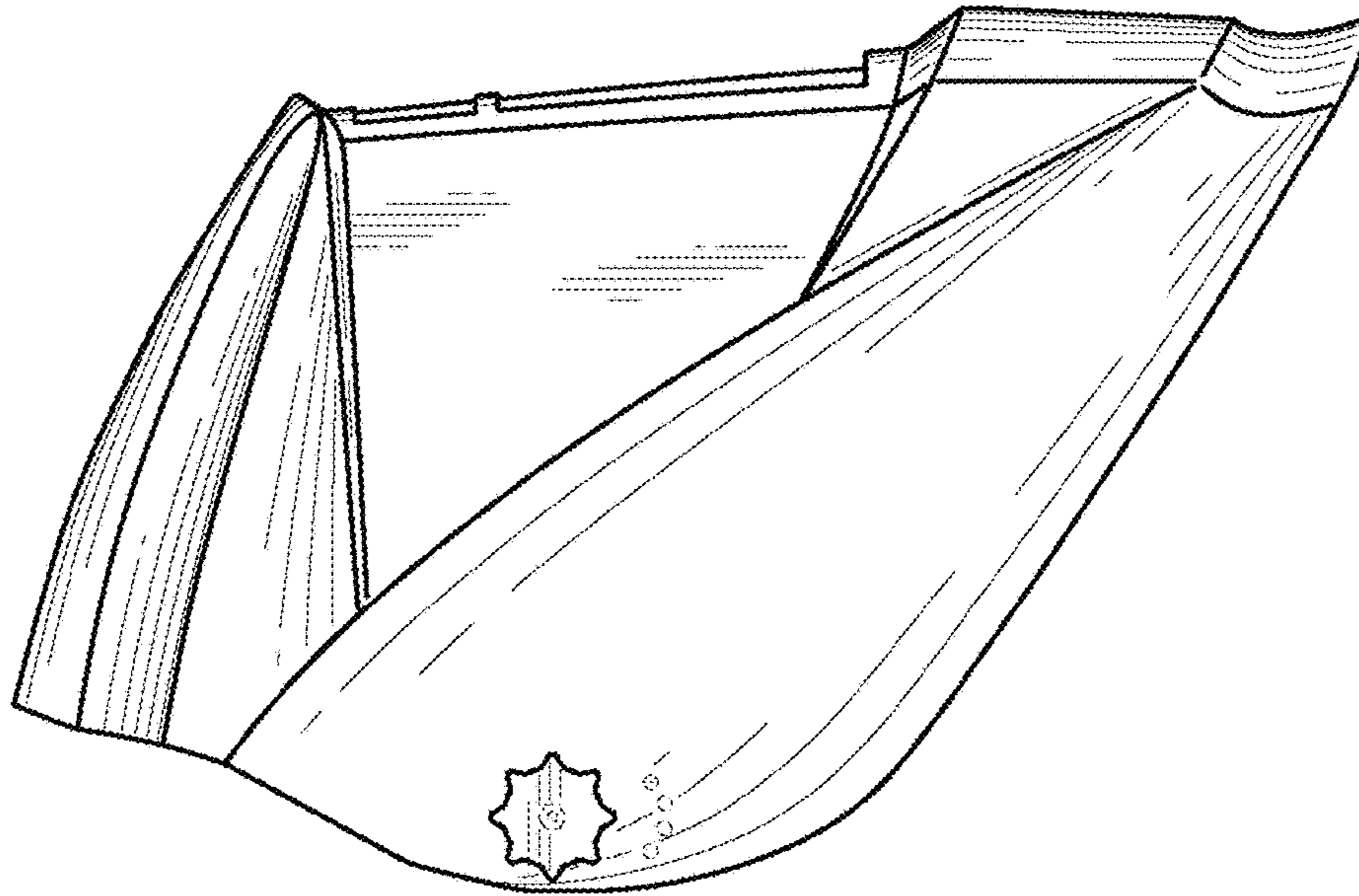


FIG. 4

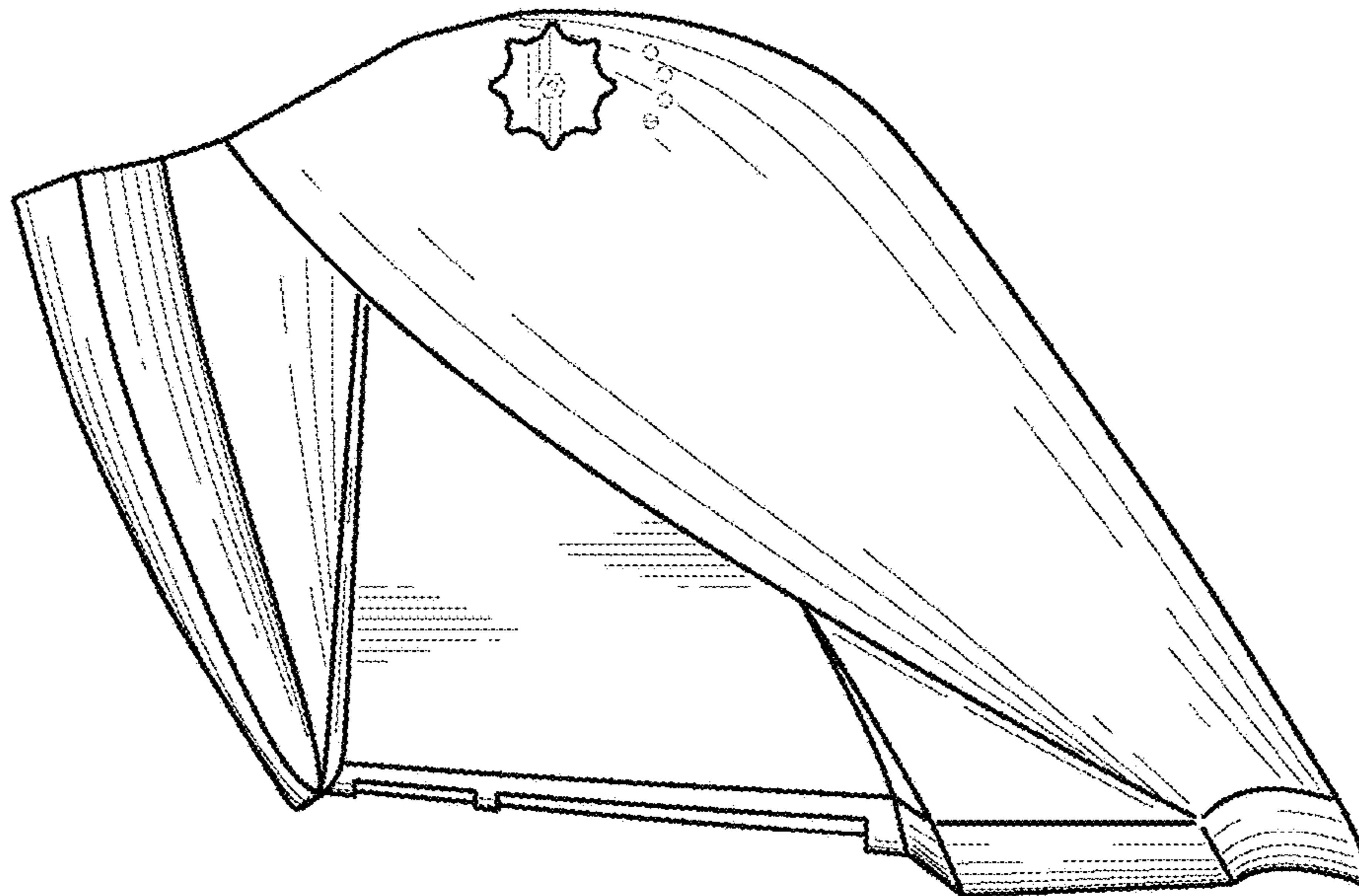


FIG. 3

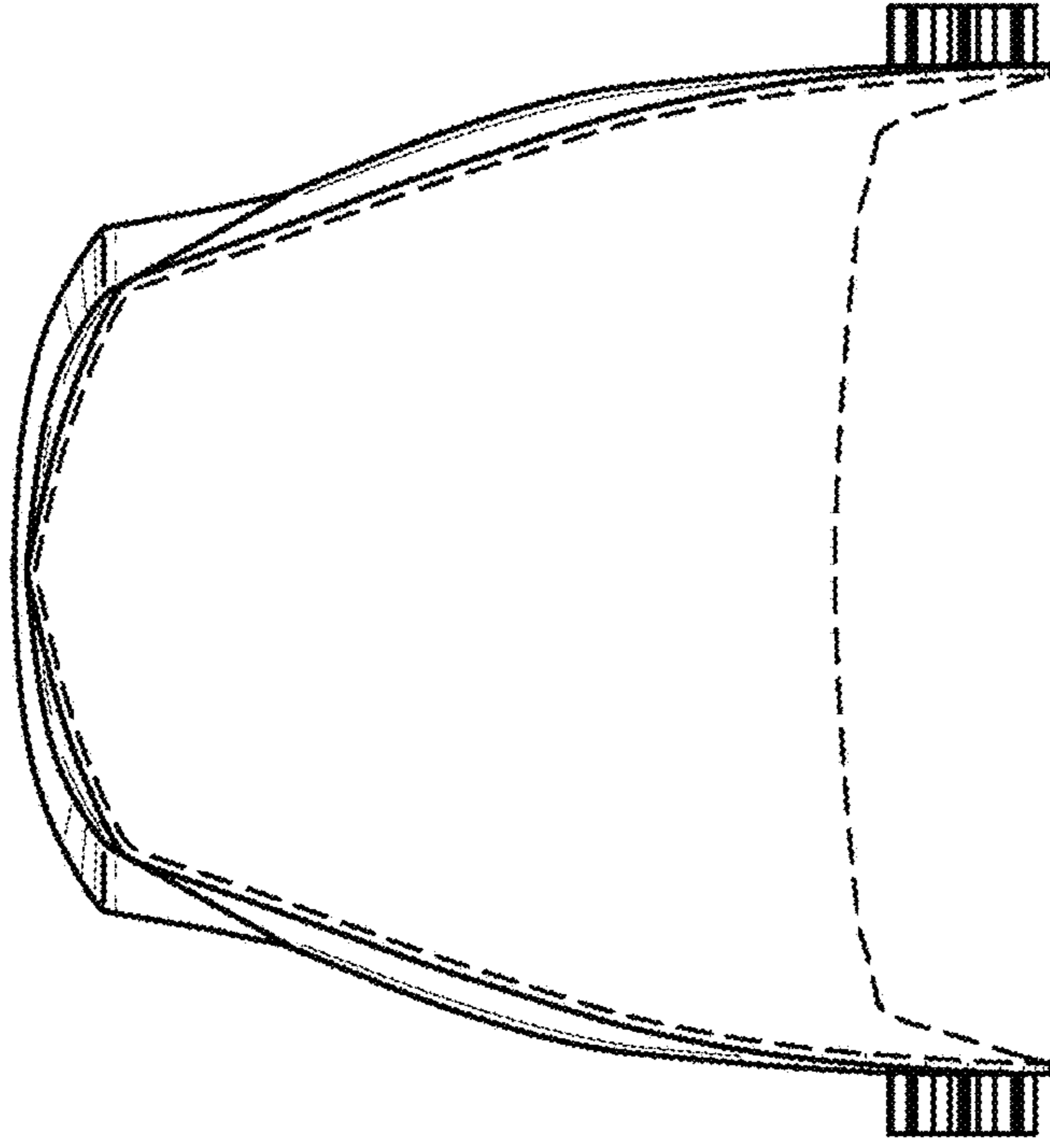


FIG. 6

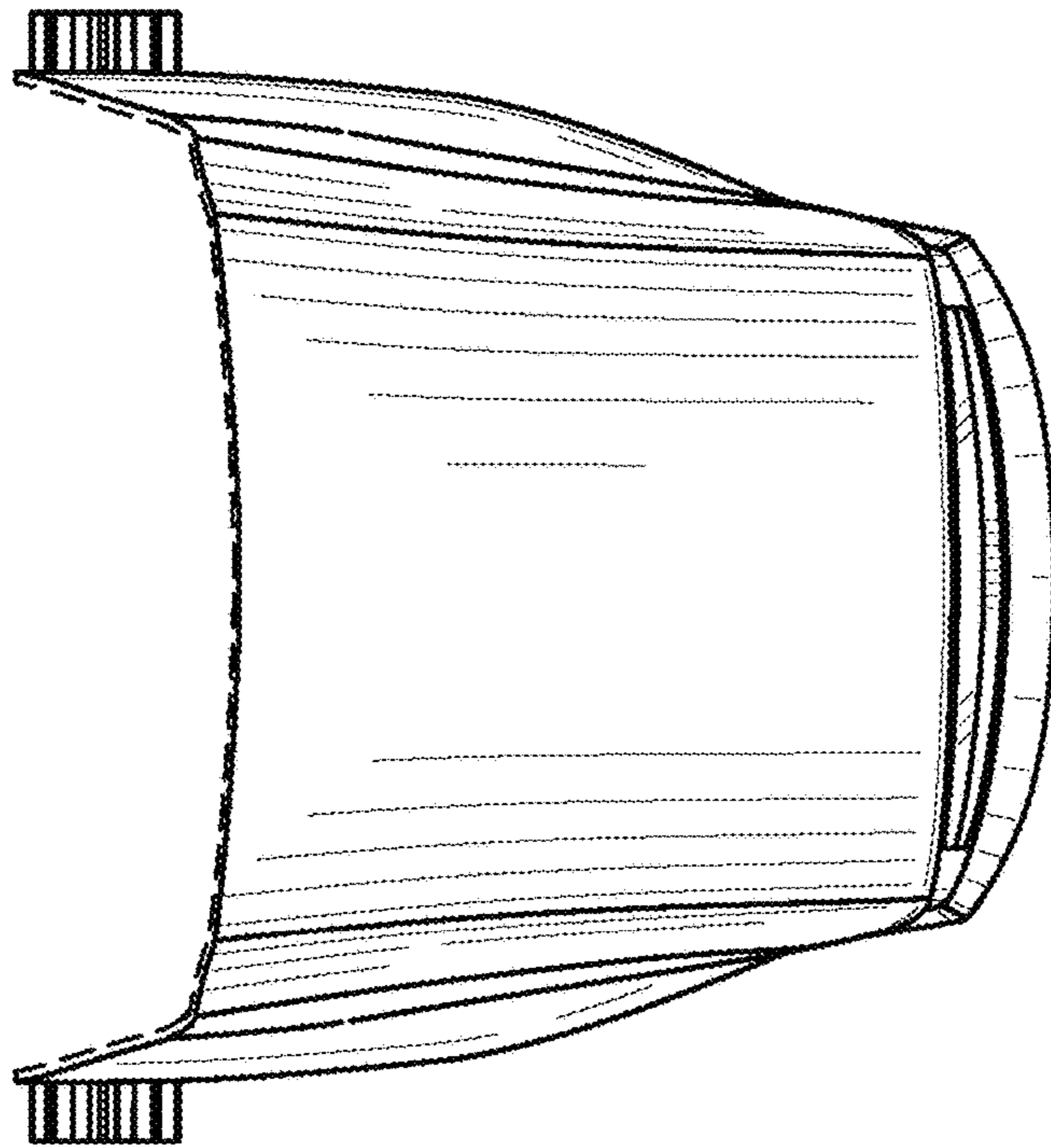


FIG. 5

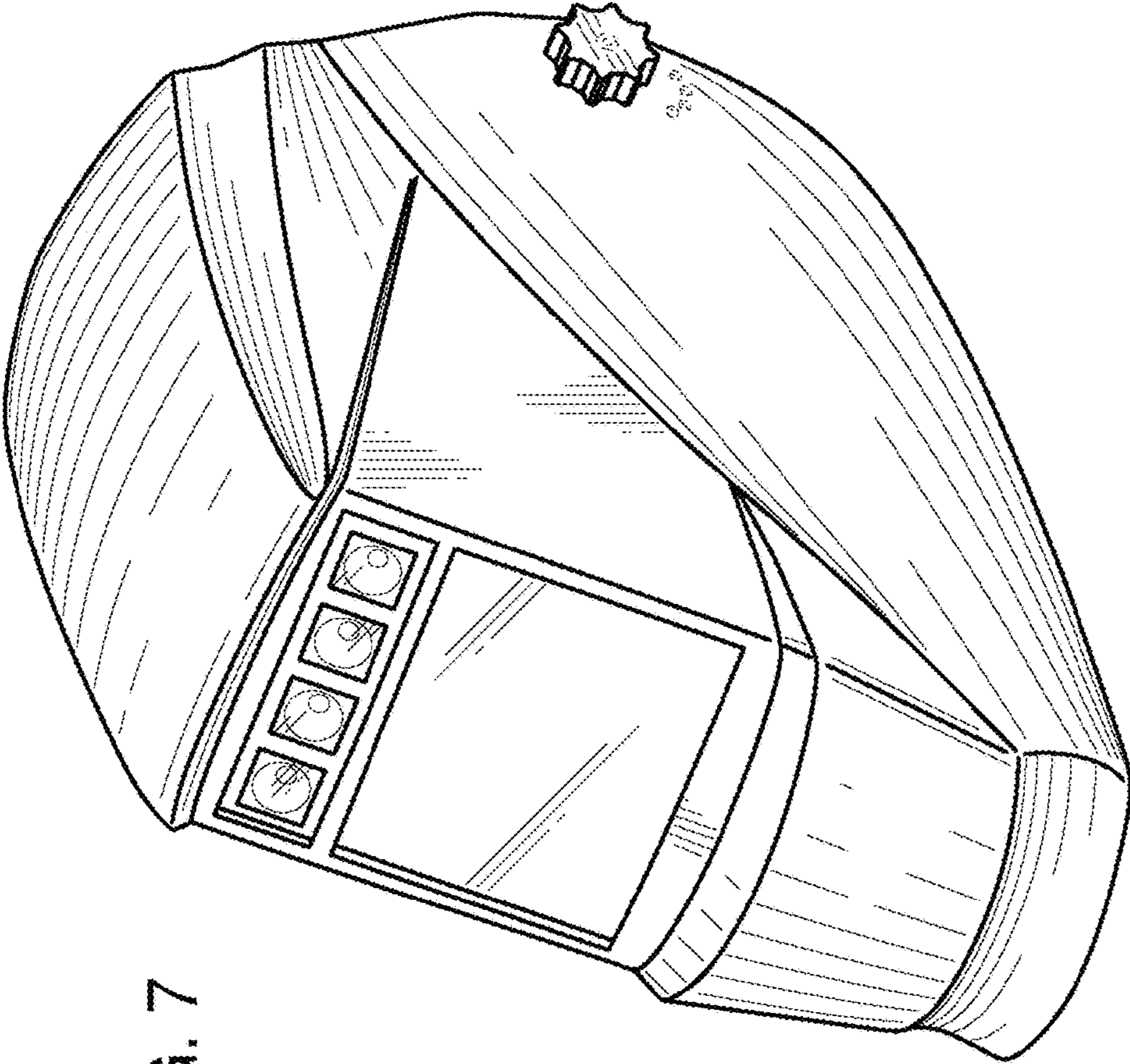


FIG. 7