

US00D857996S

(12) **United States Design Patent** (10) **Patent No.:** **US D857,996 S**
Chen (45) **Date of Patent:** **** Aug. 27, 2019**

- (54) **BALL JOINT COMPACT**
- (71) Applicant: **HCT GROUP HOLDINGS LIMITED**, Central (CN)
- (72) Inventor: **Samuel Chen**, Los Angeles, CA (US)
- (73) Assignee: **HCT GROUP HOLDINGS LIMITED**, Hong Kong (HK)
- (**) Term: **15 Years**
- (21) Appl. No.: **29/609,963**
- (22) Filed: **Jul. 7, 2017**
- (51) **LOC (12) Cl.** **28-03**
- (52) **U.S. Cl.**
USPC **D28/82**
- (58) **Field of Classification Search**
USPC D28/64.1, 76-84; D9/503-505, 722, 529,
D9/420, 425, 428; D3/295; D19/103,
D19/106
CPC A45D 33/006; A45D 33/003; A45D
33/04-33; A45D 33/025; A45D 33/02;
A45D 33/20; A45D 33/22; A45D 33/24;
A45D 33/26; A45D 33/28; A45D 33/18;
A45D 40/22; A45D 40/222; A45D 40/24;
A45D 2200/051-053; A45D
2040/223-228
See application file for complete search history.

2,701,659 A 2/1955 Baltosser
3,039,132 A 6/1962 Coleman
3,100,589 A 8/1963 Love
(Continued)

FOREIGN PATENT DOCUMENTS

CN 1196212 A 10/1998
JP 2533414 Y2 4/1997
(Continued)

Primary Examiner — Jennifer Rivard
Assistant Examiner — Alison M Ofstun
(74) *Attorney, Agent, or Firm* — Seager, Tufte & Wickhem LLP

(57) **CLAIM**

The ornamental design for a ball joint compact, as shown and described.

DESCRIPTION

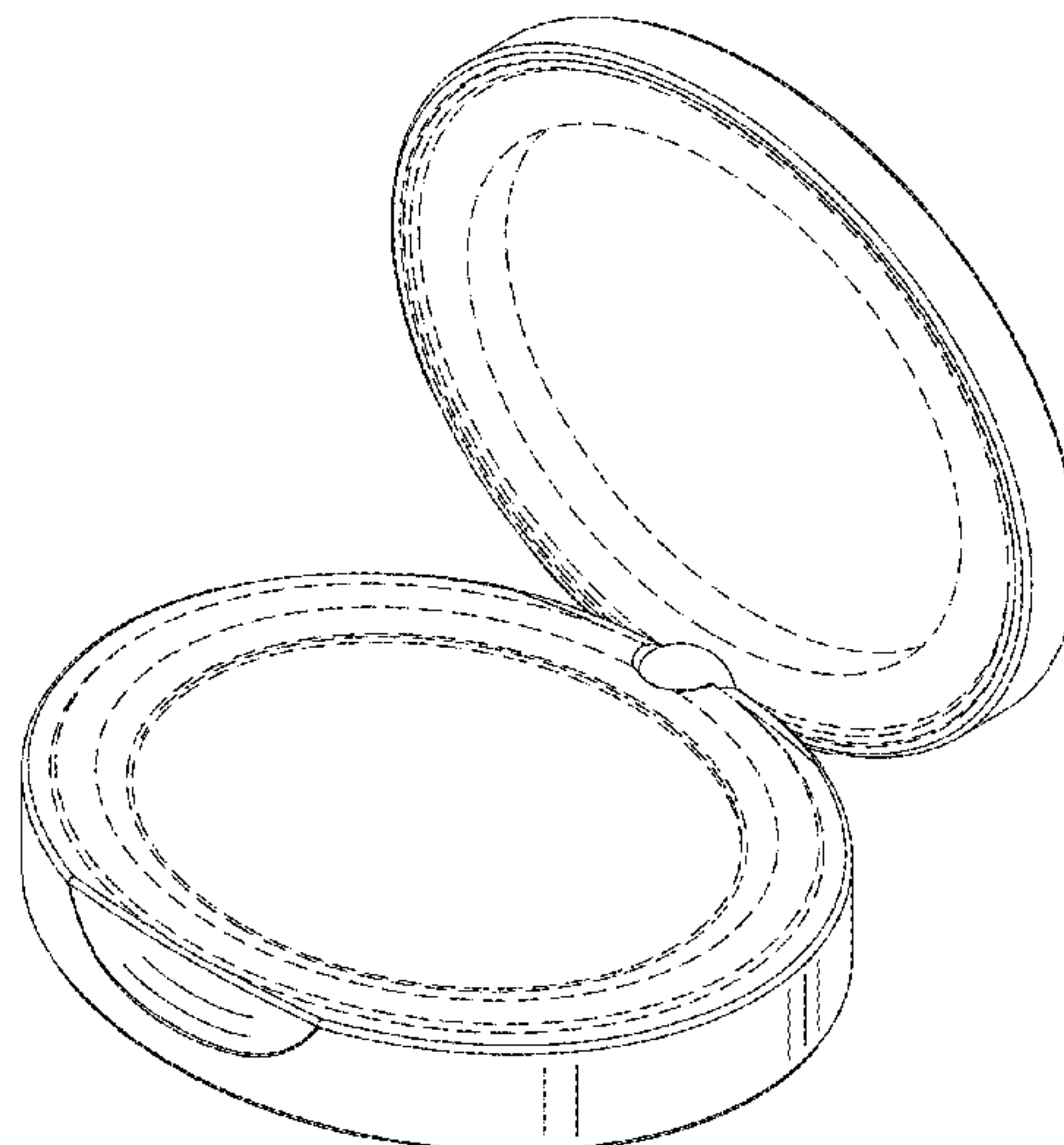
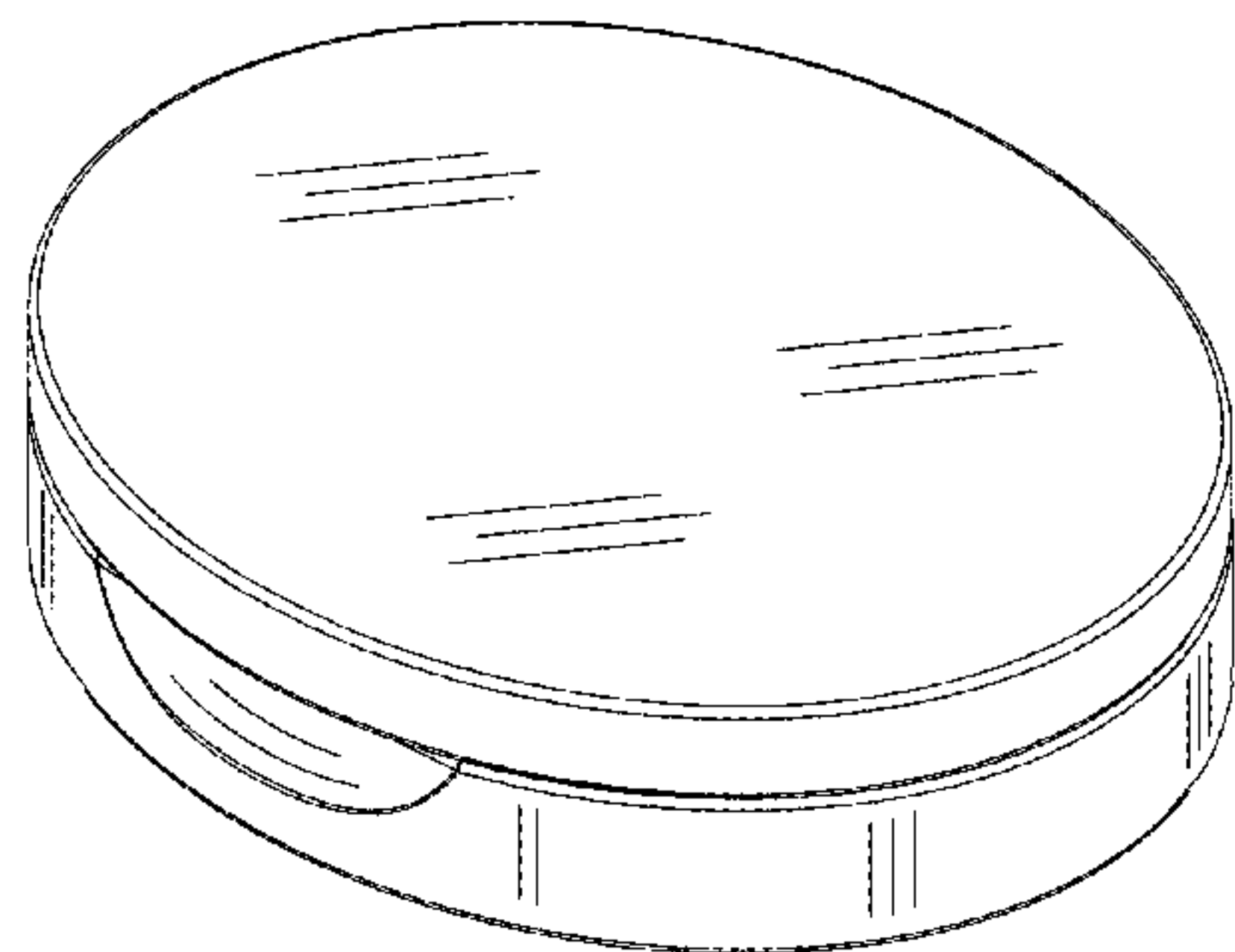
FIG. 1 is a perspective view of the ball joint compact showing the new design;
FIG. 2 is a front view thereof;
FIG. 3 is a rear view thereof;
FIG. 4 is a right side view thereof, the left side being a mirror image;
FIG. 5 is a top view thereof;
FIG. 6 is a bottom view thereof;
FIG. 7 is a perspective view thereof, with the lid open;
FIG. 8 is a right side view thereof, with the lid open, the left side being a mirror image;
FIG. 9 is a rear view thereof, with the lid open;
FIG. 10 is a perspective view thereof, with the lid open and partially tilted; and,
FIG. 11 is a top view thereof, with the lid open and partially tilted.

The broken lines in the drawings illustrate unclaimed portions of the article which form no part of the claimed design. The claimed design extends to the broken line boundaries but does not include the boundaries or the area within the boundaries.

1 Claim, 11 Drawing Sheets

(56) **References Cited**
U.S. PATENT DOCUMENTS

1,527,052 A 2/1925 McAndrews
1,616,381 A 2/1927 Harold
1,620,002 A 3/1927 Barany
1,642,780 A 9/1927 Kole et al.
1,668,658 A 5/1928 Reutter
1,748,491 A 2/1930 May
2,055,389 A 9/1936 George



(56)

References Cited

U.S. PATENT DOCUMENTS

3,476,123 A	11/1969	Flax	7,316,235 B2	1/2008	Maio et al.
3,552,402 A	1/1971	Levy	7,334,685 B2	2/2008	Mathiez
D268,292 S	3/1983	Chevassus	D564,707 S	3/2008	Barresi
4,421,127 A	12/1983	Geer	7,337,787 B2	3/2008	Matsuoka
D281,731 S	12/1985	Phu	D566,899 S	4/2008	De Baschmakoff
4,681,127 A	7/1987	Gueret	D576,354 S	9/2008	Dominski et al.
4,696,317 A	9/1987	Shioi et al.	D576,770 S	9/2008	Mascotte et al.
D293,612 S	1/1988	Bulwik	D581,597 S	11/2008	Martinez
5,005,697 A	4/1991	Jimbo et al.	D586,504 S	2/2009	Moon
D316,763 S	5/1991	Ferrari	7,494,030 B2	2/2009	Bennett
D318,346 S *	7/1991	Bakic D28/82	D595,900 S	7/2009	Yamamoto
5,107,871 A	4/1992	Butcher et al.	D599,953 S *	9/2009	Gibson D27/190
5,107,984 A	4/1992	Welschoff	D600,857 S	9/2009	Maddy et al.
D342,808 S *	12/1993	Bakic D28/82	7,614,405 B2	11/2009	Allen et al.
5,348,031 A	9/1994	Cloud	D611,657 S	3/2010	Maddy et al.
5,353,818 A	10/1994	Suzuki et al.	D626,289 S	10/2010	Lee
5,431,176 A	7/1995	Favre	7,828,000 B2	11/2010	Lee
D365,892 S	1/1996	Markham	7,832,564 B2	11/2010	Kim
5,495,209 A	2/1996	Gerstenberg	7,909,195 B2	3/2011	Rathbone et al.
5,603,340 A	2/1997	Gueret	D642,333 S	7/2011	Praster
5,655,553 A	8/1997	Giese et al.	8,006,707 B2	8/2011	Thorpe et al.
5,704,378 A	1/1998	Machelett	D645,617 S	9/2011	Mahdavi
5,713,471 A	2/1998	Gueret	8,025,067 B2	9/2011	Thorpe et al.
5,769,234 A	6/1998	Gueret	D655,046 S	2/2012	Nakamura
D398,079 S	9/1998	Denison	8,118,040 B2	2/2012	Bennett
5,813,420 A	9/1998	Sussman	8,132,578 B2	3/2012	LoPrete
D401,017 S	11/1998	Thorpe	8,210,187 B1	7/2012	Zhang
5,875,795 A	3/1999	Bouix	D666,773 S	9/2012	Greenfield
D408,591 S *	4/1999	Litton D28/82	8,286,648 B2	10/2012	Thorpe et al.
5,896,866 A	4/1999	Quennessen	8,387,627 B2	3/2013	Yeom
5,950,638 A	9/1999	Crosta	D688,420 S	8/2013	Lai
5,988,185 A	11/1999	Gueret	8,590,545 B2	11/2013	Won
D422,120 S	3/2000	Orsomando	D697,800 S *	1/2014	Villarreal D28/82
6,053,183 A	4/2000	Rizzo	8,678,222 B2	3/2014	Thorpe et al.
6,070,749 A	6/2000	Jouliia	8,839,803 B2	9/2014	Holloway
D428,209 S	7/2000	Kudo et al.	D721,853 S *	1/2015	Koo D28/82
6,119,891 A	9/2000	Favre	D722,404 S *	2/2015	Son D28/82
6,138,686 A	10/2000	Yuhara	D722,405 S *	2/2015	Hwang D28/82
6,149,008 A	11/2000	Yuhara	D723,220 S	2/2015	Guor
D434,875 S	12/2000	Gavin	D724,786 S *	3/2015	Jung D28/82
6,173,719 B1	1/2001	Petit	D726,377 S *	4/2015	Koo D28/82
D439,019 S	3/2001	Motosko	D728,860 S	5/2015	Blanch
D439,376 S	3/2001	Lerolle	D732,740 S *	6/2015	Yoon D28/82
D442,338 S	5/2001	Roman	D736,468 S	8/2015	Goswell
6,283,298 B1	9/2001	Seidler	D742,070 S *	10/2015	Park D28/82
6,298,863 B1	10/2001	Byun	D774,697 S *	12/2016	Praster D28/82
6,311,701 B1	11/2001	Yuhara et al.	D777,984 S *	1/2017	Son D28/82
6,336,460 B2	1/2002	Yuhara	D788,371 S *	5/2017	Lee D28/82
6,354,308 B1	3/2002	Kuk	D793,624 S *	8/2017	Hwang D28/82
D457,687 S	5/2002	Millar	9,889,532 B2	2/2018	Osaki et al.
D457,986 S	5/2002	Rodriguez et al.	D817,551 S *	5/2018	Montoli A45D 33/00 D28/82
D462,809 S	9/2002	LaSpina et al.	2002/0056660 A1	5/2002	Gueret
D468,058 S	12/2002	Thorpe	2002/0096185 A1	7/2002	Givens
6,532,970 B2	3/2003	Phue	2002/0162565 A1	11/2002	Sebban
D478,689 S	8/2003	Thorpe	2003/0024545 A1	2/2003	Delage
D479,016 S	8/2003	Sgariboldi	2003/0154997 A1	8/2003	Lin
D479,366 S *	9/2003	Goswell D28/82	2004/0200755 A1	10/2004	Gueret
D479,630 S	9/2003	Lai	2004/0206370 A1	10/2004	Byun
D485,018 S	1/2004	Beilman	2006/0027481 A1	2/2006	Gelardi et al.
6,712,076 B2	3/2004	Alexander et al.	2006/0118454 A1	6/2006	Kang
D496,759 S *	9/2004	Rodriguez D28/82	2006/0186019 A1	8/2006	Lu
D498,024 S	11/2004	Leppla et al.	2006/0278665 A1	12/2006	Bennett
D503,245 S	3/2005	Vanoncini	2007/0029226 A1	2/2007	Yuhara et al.
D505,518 S	5/2005	Benjamin et al.	2007/0080094 A1	4/2007	Moon
D507,078 S	7/2005	Greenfield	2007/0131240 A1	6/2007	Prague
6,945,403 B2	9/2005	Lombardi	2007/0187284 A1	8/2007	Goto et al.
6,997,321 B2	2/2006	Young	2007/0228079 A1	10/2007	Vogel et al.
7,083,354 B2	8/2006	Byun	2007/0235056 A1	10/2007	Vintimiglia et al.
D537,985 S *	3/2007	Bakic D28/82	2007/0261710 A1	11/2007	Son et al.
D539,481 S	3/2007	Lui	2008/0011320 A1	1/2008	Bouix et al.
7,240,402 B2	7/2007	Suzuki et al.	2008/0023023 A1	1/2008	Boye et al.
D554,292 S	10/2007	Thorpe	2008/0078419 A1	4/2008	Hirst
D554,293 S	10/2007	Thorpe	2008/0178903 A1	7/2008	Thorpe et al.
D554,294 S	10/2007	Thorpe	2008/0302384 A1	12/2008	Parker
D554,804 S	11/2007	Bernard	2009/0071502 A1	3/2009	Durgeon
			2009/0272400 A1	11/2009	Park et al.
			2009/0288677 A1	11/2009	Chen
			2009/0293902 A1	12/2009	Ramos

(56)

References Cited

U.S. PATENT DOCUMENTS

2009/0320874 A1 12/2009 Boye et al.
2010/0008074 A1 1/2010 Kang
2010/0031971 A1 2/2010 Ha
2010/0288299 A1 11/2010 Won
2010/0307530 A1 12/2010 Bennett
2011/0253166 A1 10/2011 Lin
2011/0266297 A1 11/2011 Thorpe et al.
2012/0136748 A1 5/2012 Shasteen et al.
2013/0068801 A1 3/2013 Lai
2013/0087165 A1 4/2013 Lee et al.
2013/0161345 A1 6/2013 Tatin
2013/0284202 A1 10/2013 Limongi et al.
2014/0014659 A1 1/2014 Thorpe et al.
2014/0023689 A1 1/2014 Kim et al.
2016/0083152 A1 3/2016 Eberlein

FOREIGN PATENT DOCUMENTS

JP 3051335 B2 6/2000
JP 3080777 U 10/2001
JP 2002306236 A 10/2002
JP 2004222853 A 8/2004
JP 5945015 B2 4/2016
KR 200322309 Y1 7/2003
KR 200328446 Y1 9/2003
KR 20090004125 A 1/2009
KR 2009008597 U 8/2009
KR 20090104593 A 10/2009
WO 2006101339 A1 9/2006
WO 2008010628 A1 1/2008

* cited by examiner

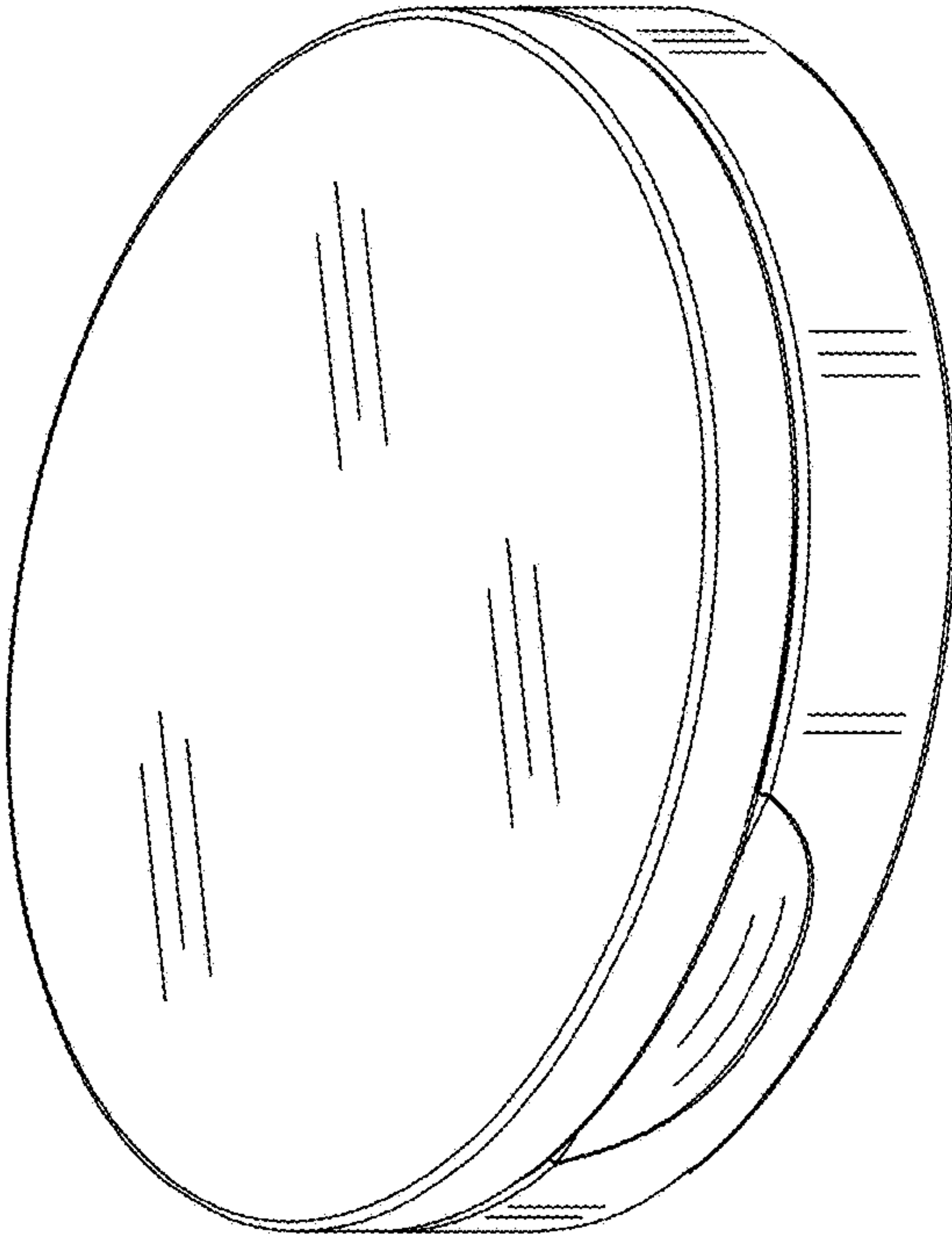


FIG. 1

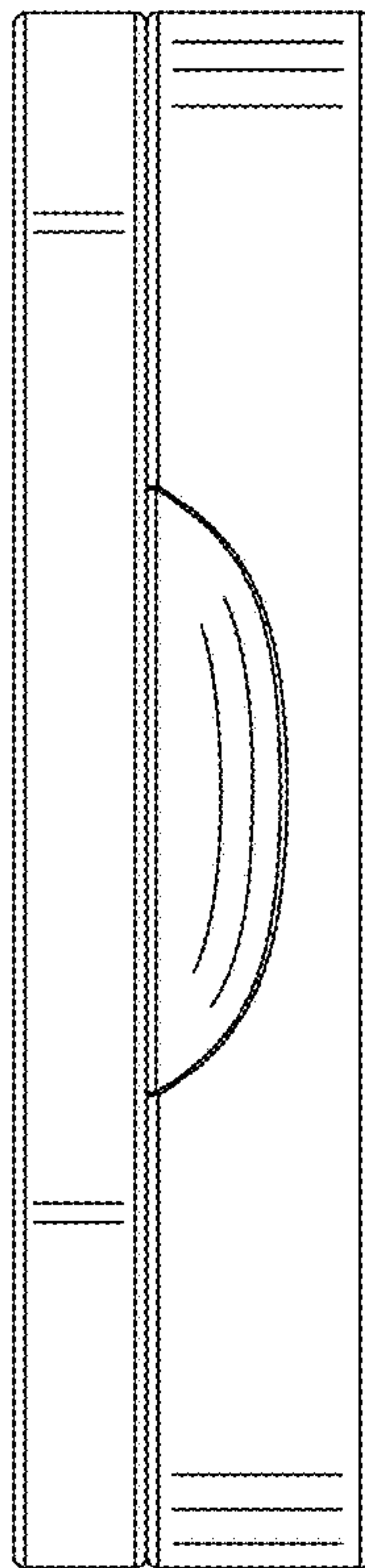


FIG. 2

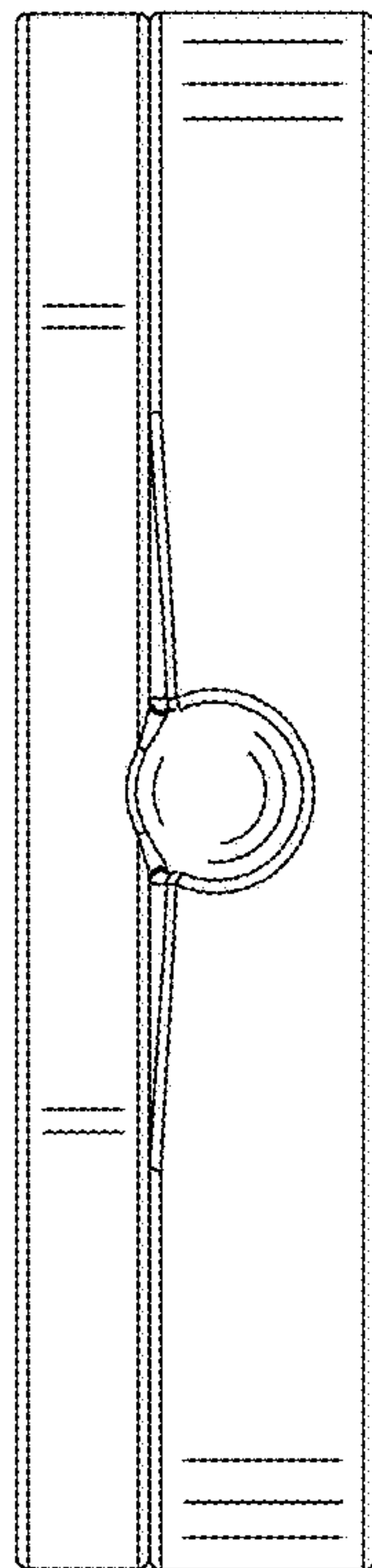


FIG. 3

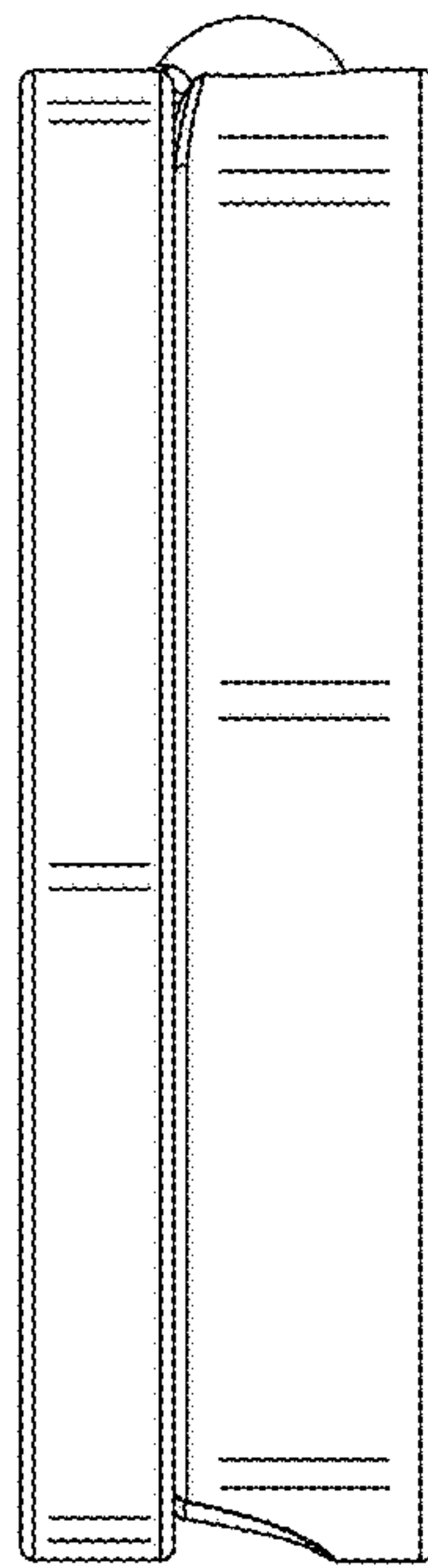


FIG. 4

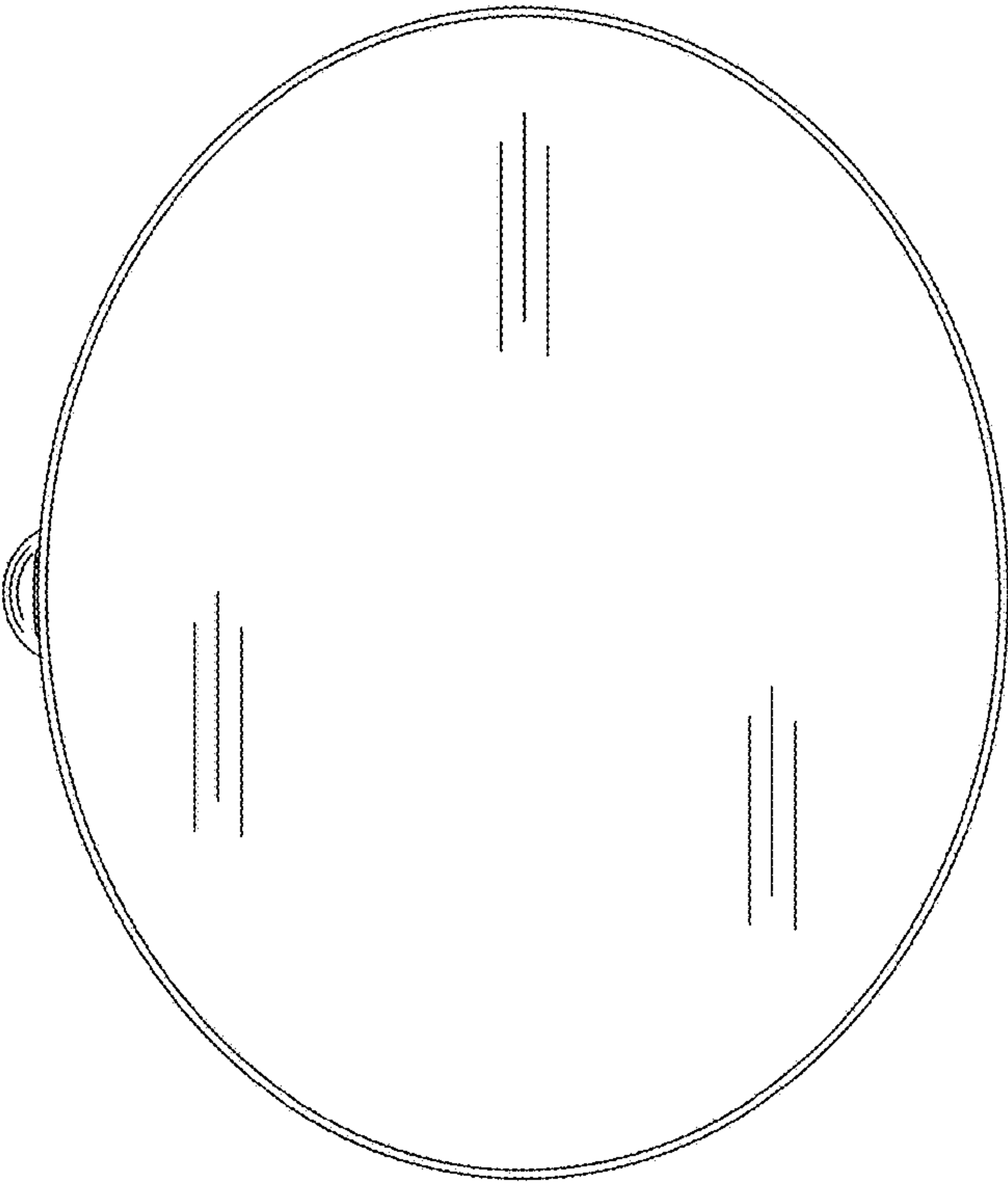


FIG. 5

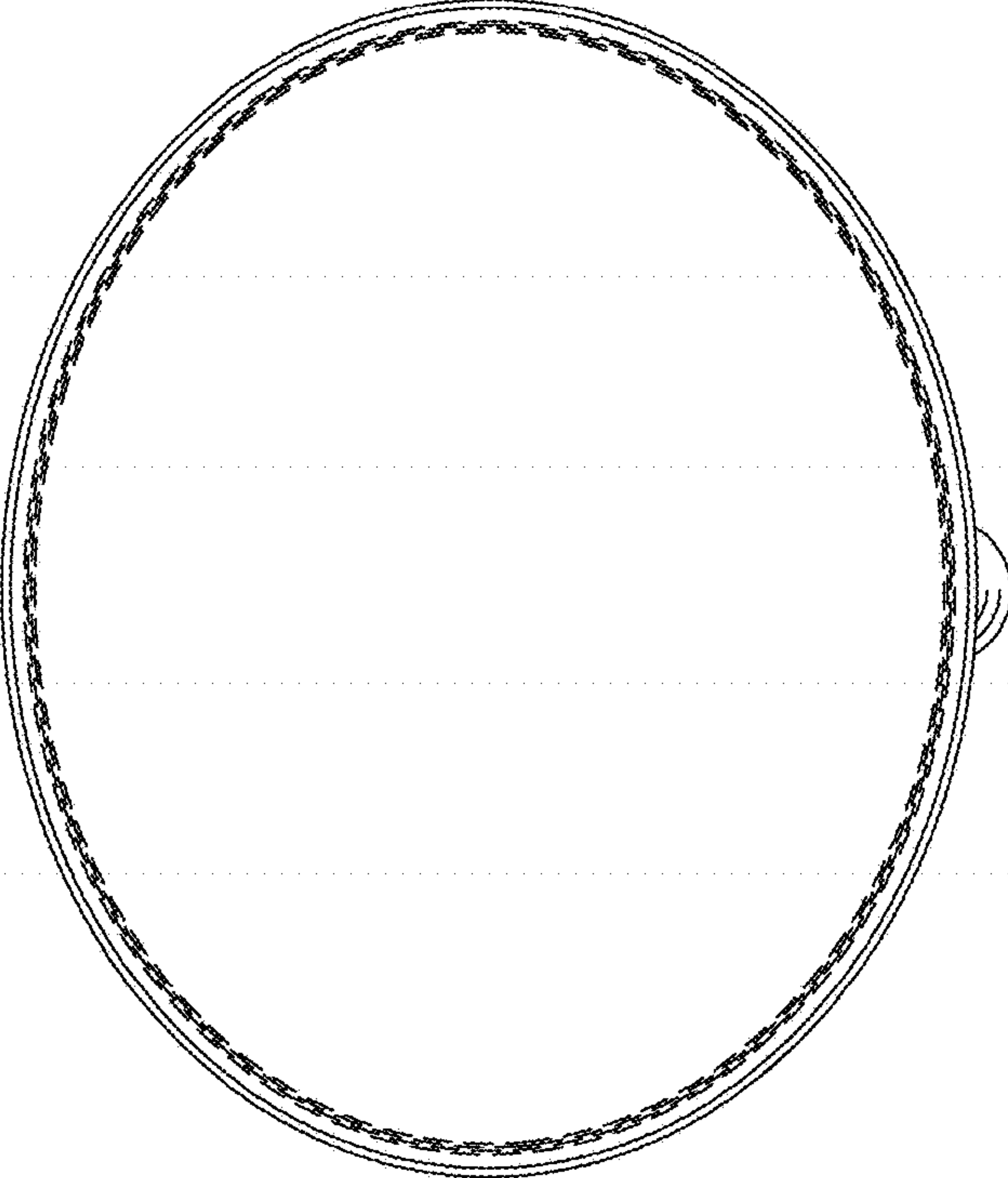


FIG. 6

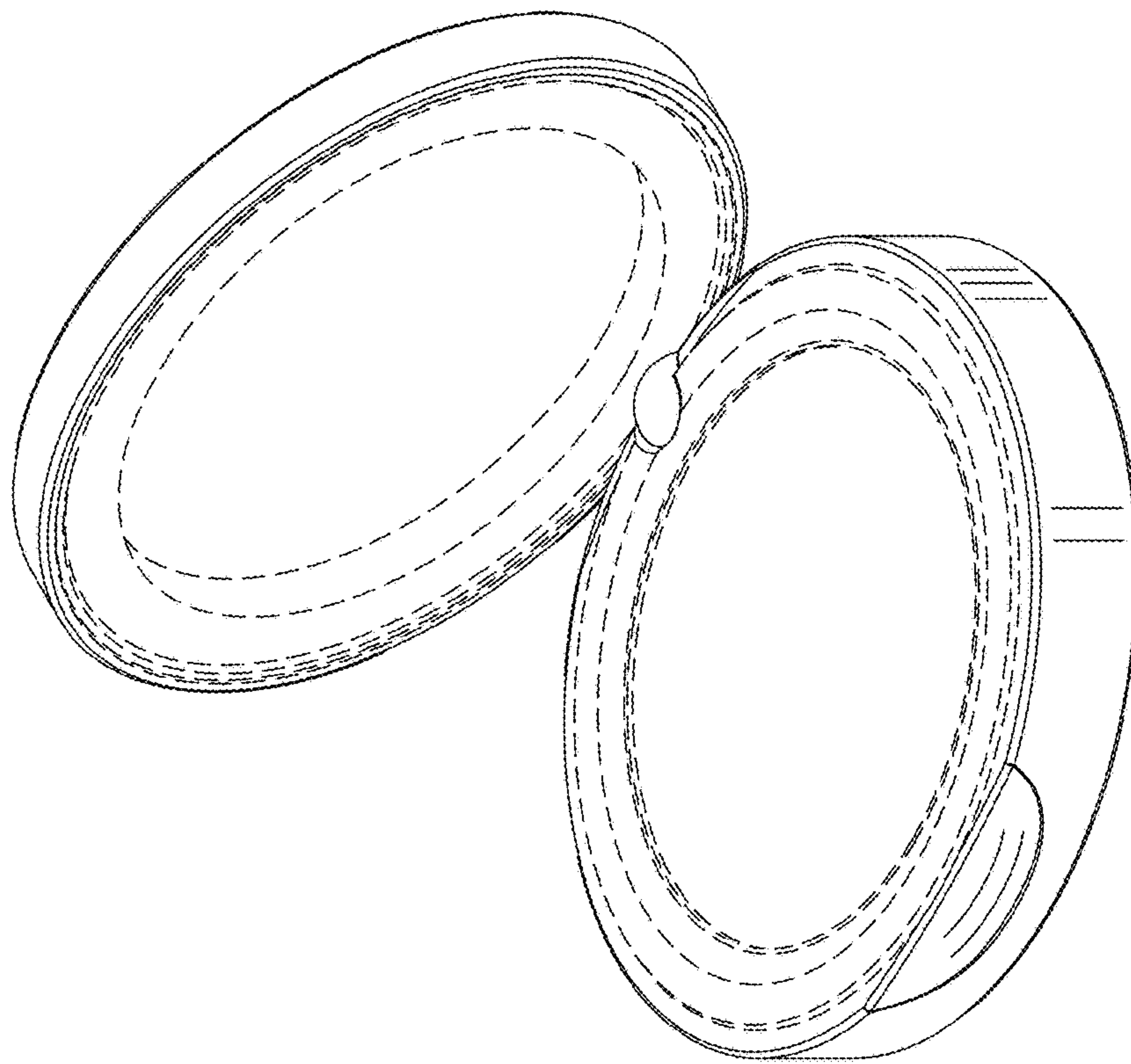


FIG. 7

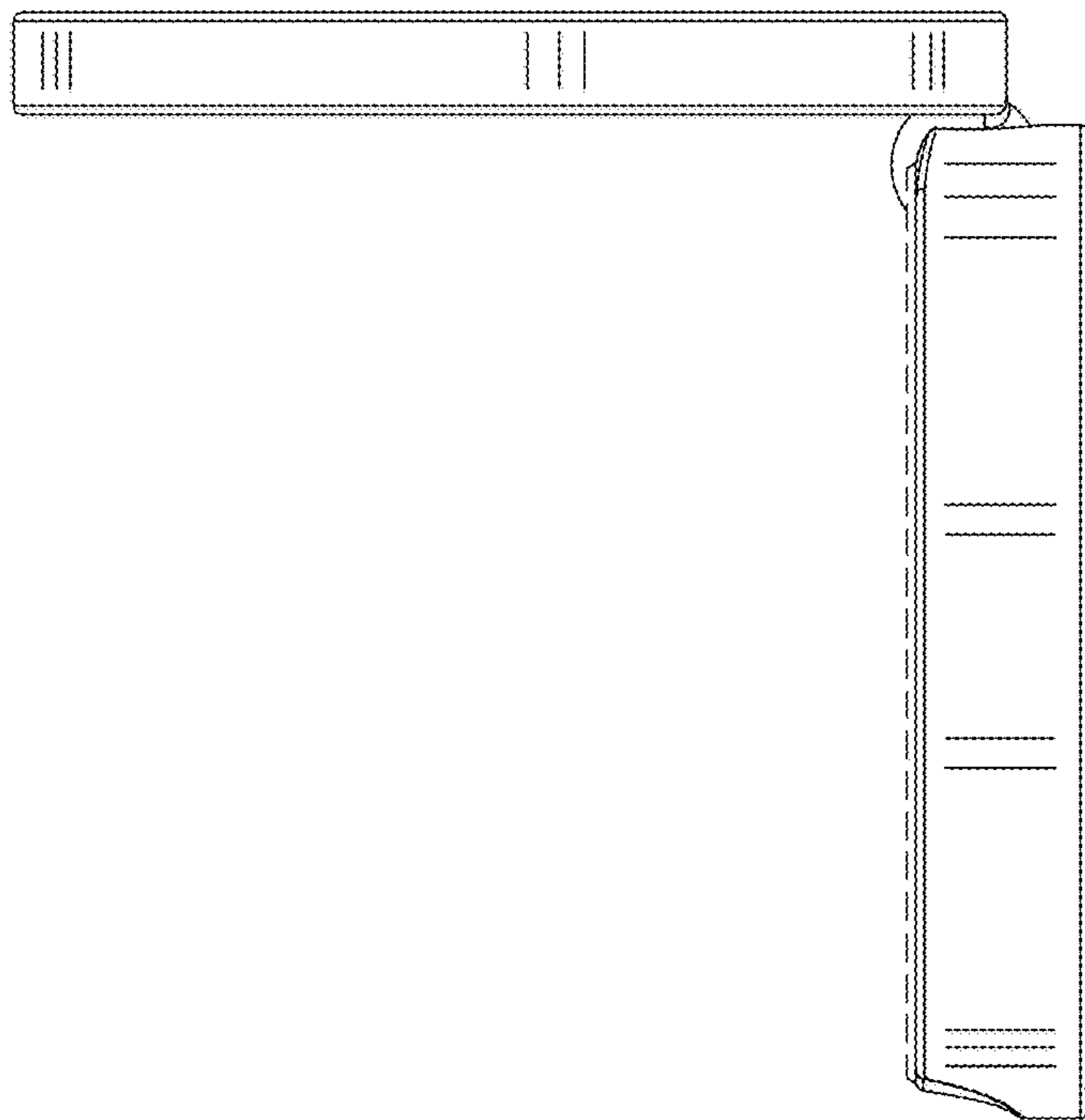


FIG. 8

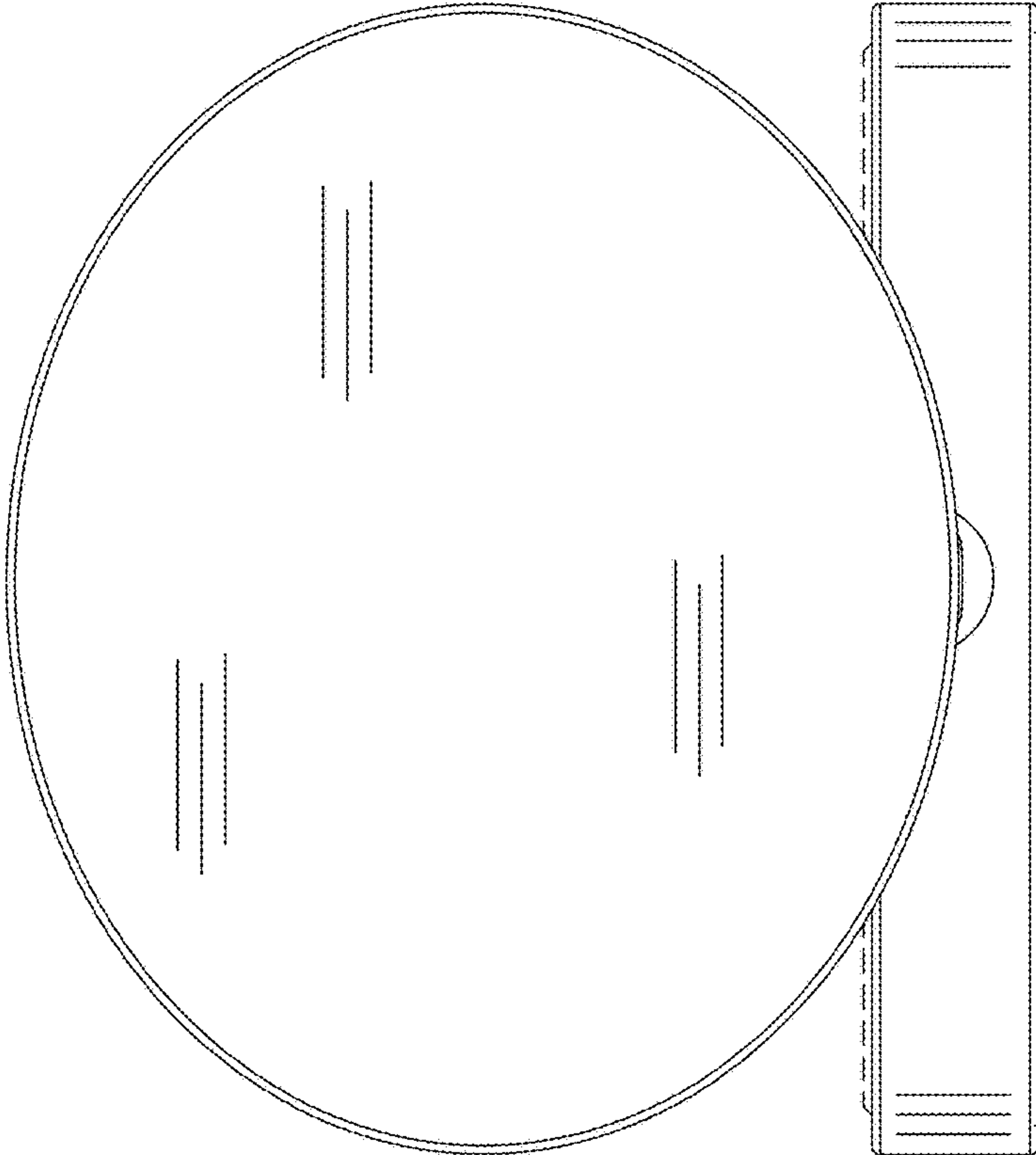


FIG. 9

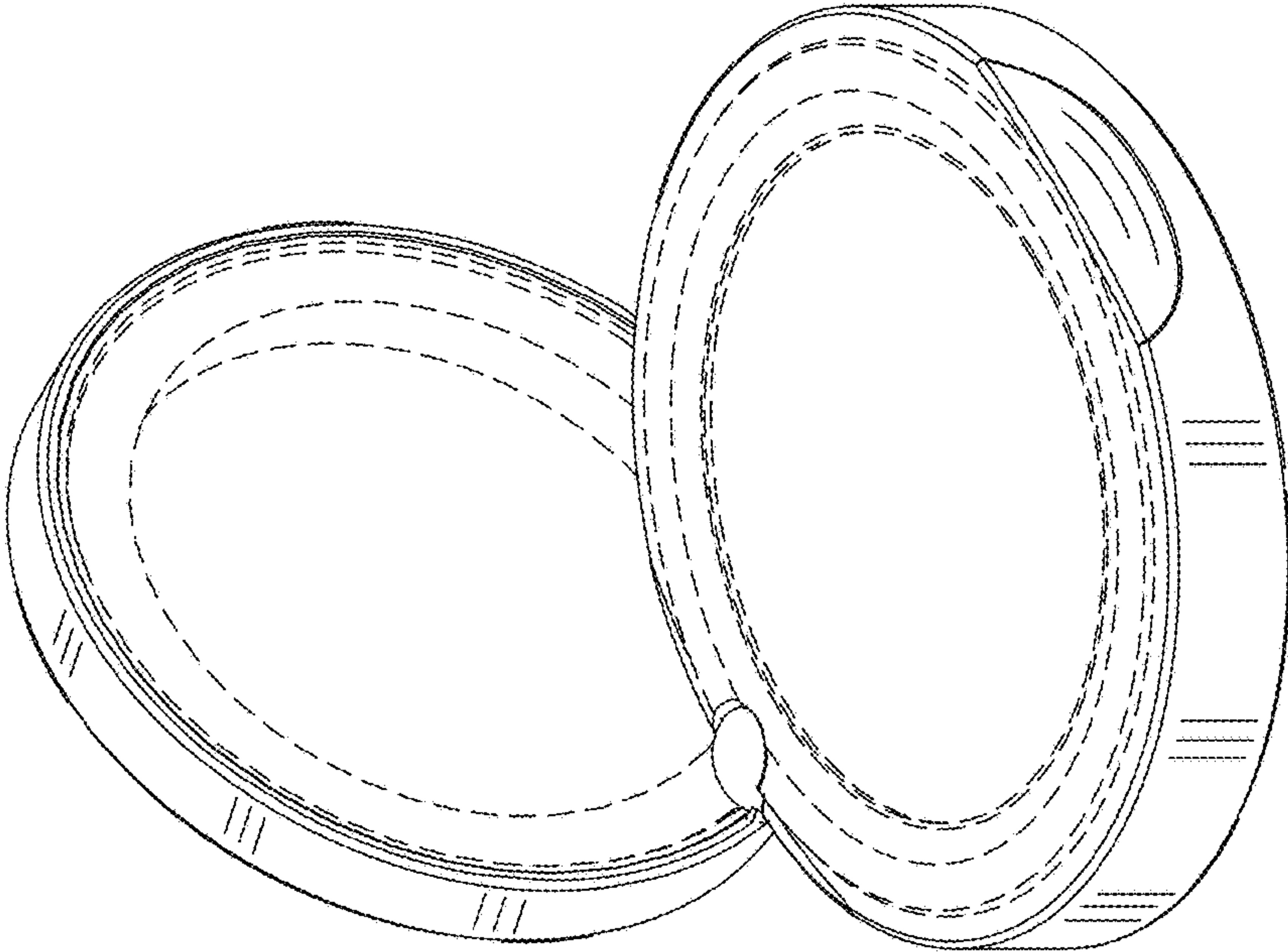


FIG. 10

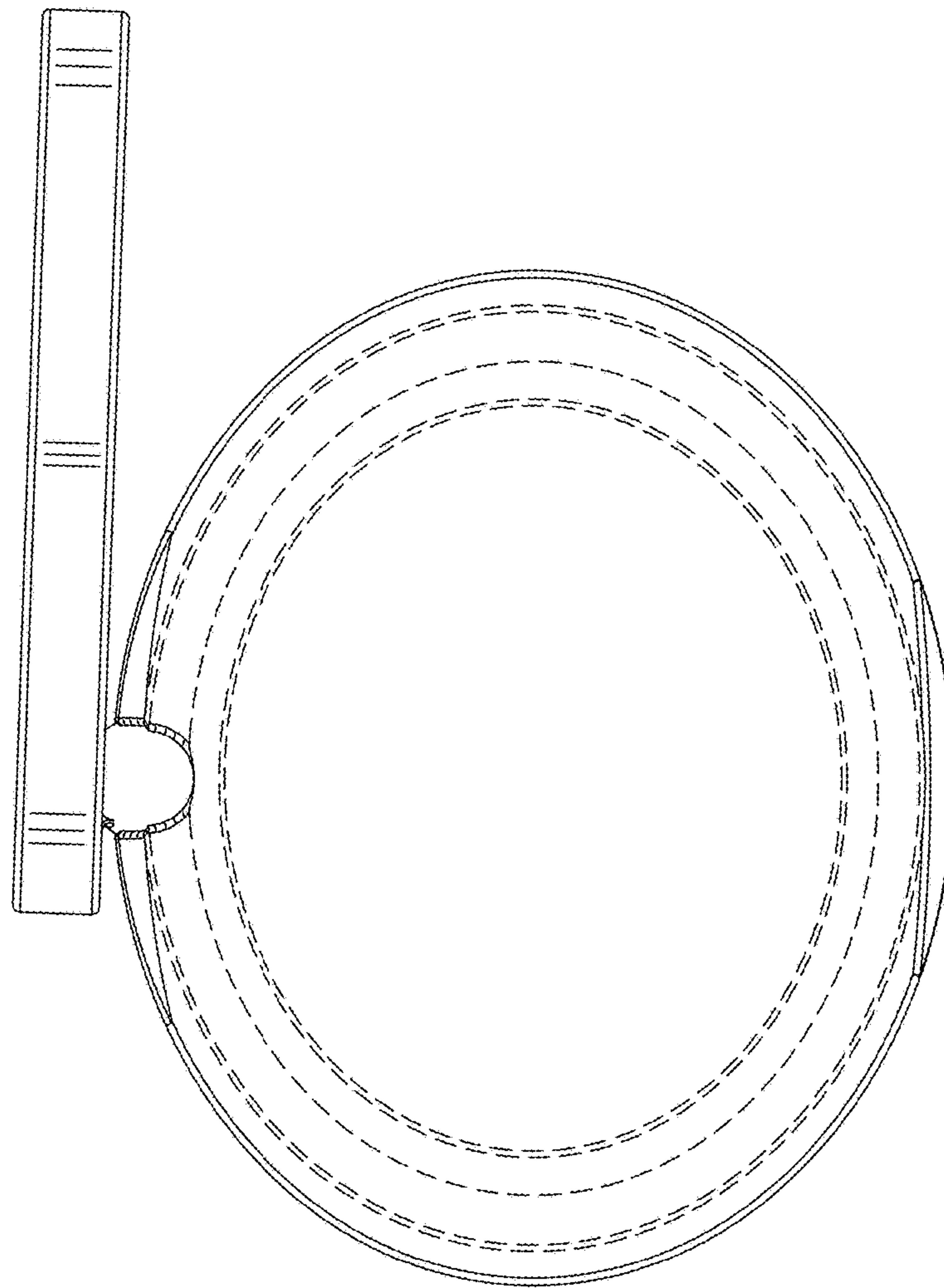


FIG. 11