



US00D857995S

(12) **United States Design Patent**  
**Peliotas et al.**

(10) **Patent No.:** **US D857,995 S**

(45) **Date of Patent:** **\*\* Aug. 27, 2019**

(54) **DENTAL DEVICE**

(71) Applicant: **Personal Care Products, LLC**, Troy, MI (US)

(72) Inventors: **James Steven Peliotas**, Ada, MI (US);  
**Brett Craib**, Beverly Hills, MI (US)

(73) Assignee: **Personal Care Products, LLC**, Troy, MI (US)

(\*\*) Term: **15 Years**

(21) Appl. No.: **29/605,558**

(22) Filed: **May 26, 2017**

(51) **LOC (12) Cl.** ..... **28-03**

(52) **U.S. Cl.**  
USPC ..... **D28/68**

(58) **Field of Classification Search**  
USPC ..... D28/65, 66, 67, 68; D7/635, 636; D3/28  
(Continued)

(56) **References Cited**

**U.S. PATENT DOCUMENTS**

D274,375 S \* 6/1984 Tomlin ..... D28/65  
D276,088 S \* 10/1984 Fong ..... D28/68  
(Continued)

**FOREIGN PATENT DOCUMENTS**

CN 201558187 8/2010  
KR 20130080110 7/2013

**OTHER PUBLICATIONS**

Dental Floss Pick, glide floss, no posting date [online], retrieved Dec. 6, 2018, retrieved from internet, <<https://www.amazon.com/Dental-Flavor-Approved-Professional-Threader/dp/B0761Y969P>>.\*

(Continued)

*Primary Examiner* — Barbara Fox

*Assistant Examiner* — Messina L Smith

(74) *Attorney, Agent, or Firm* — Dierker & Kavanaugh, P.C.

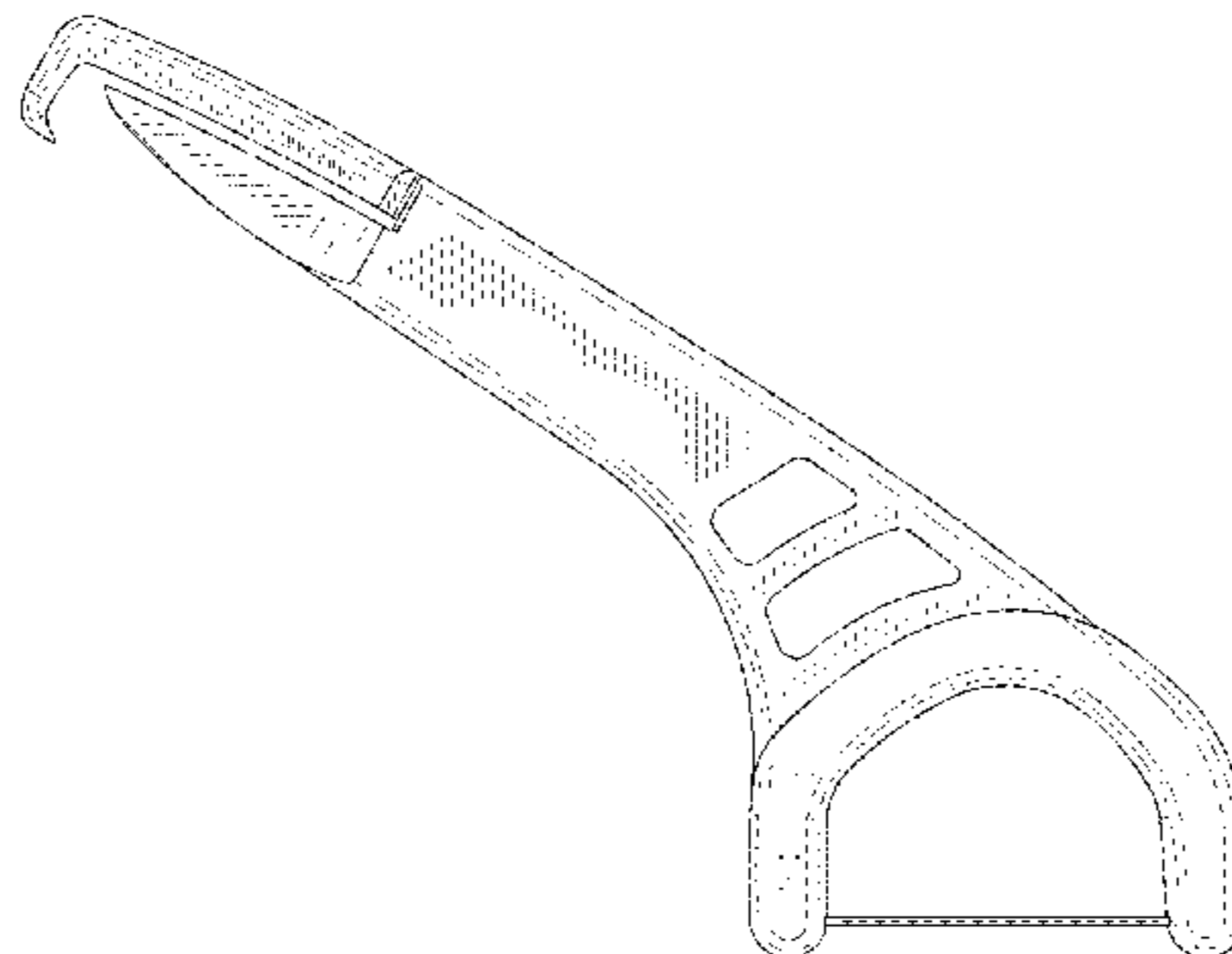
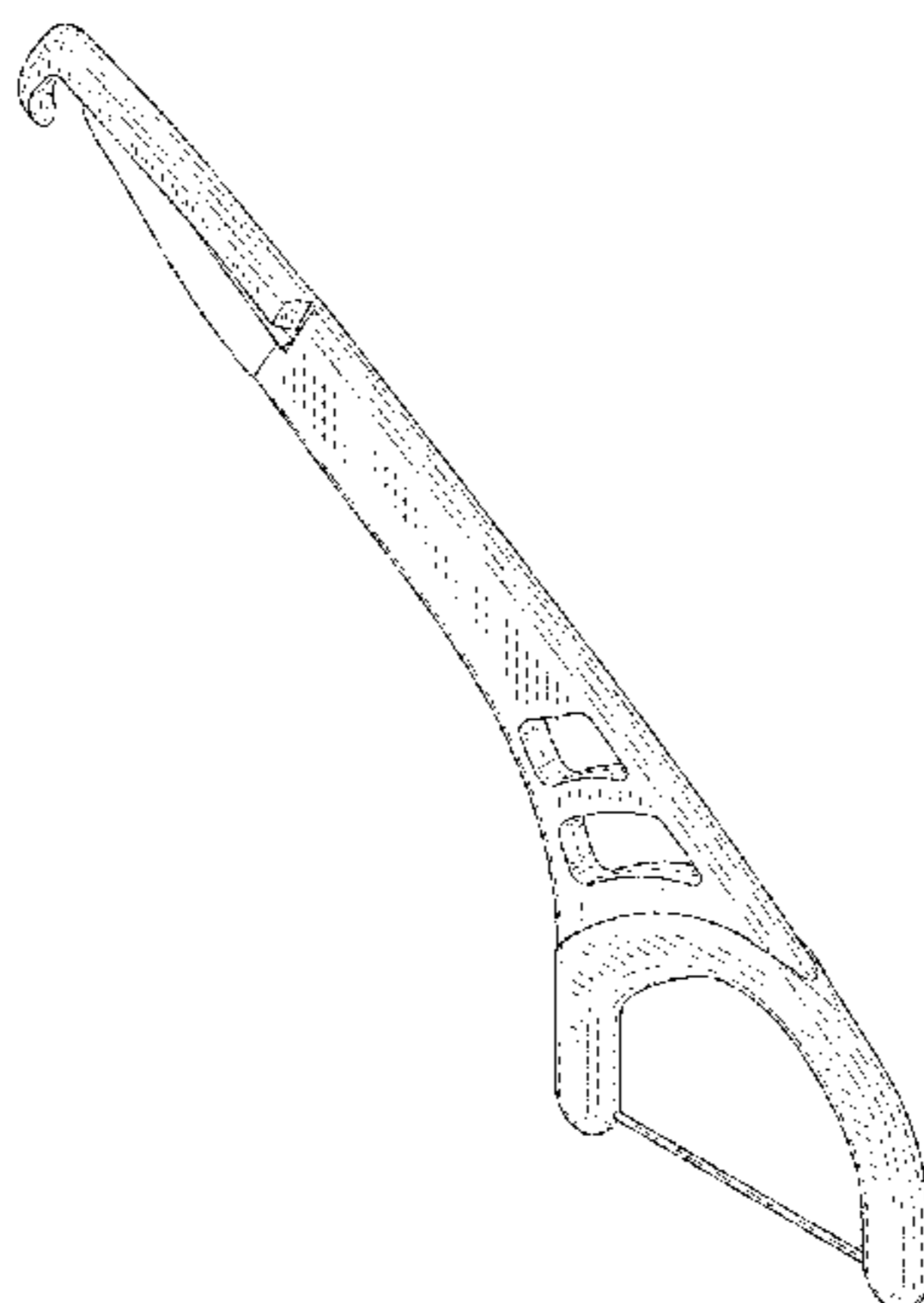
(57) **CLAIM**

The ornamental design for a dental device, as shown and described.

**DESCRIPTION**

FIG. 1 is a front perspective view of a first embodiment of a dental device, showing the new design;  
FIG. 2 is a right side view thereof;  
FIG. 3 is a left side view thereof;  
FIG. 4 is a rear view thereof;  
FIG. 5 is a front view thereof;  
FIG. 6 is a top view thereof;  
FIG. 7 is a bottom view thereof;  
FIG. 8 is a front perspective view of a second embodiment of the dental device;  
FIG. 9 is a right side view thereof;  
FIG. 10 is a left side view thereof;  
FIG. 11 is a rear view thereof;  
FIG. 12 is a front view thereof;  
FIG. 13 is a top view thereof;  
FIG. 14 is a bottom view thereof;  
FIG. 15 is a front perspective view of a third embodiment of the dental device;  
FIG. 16 is a left side view thereof;  
FIG. 17 is a right side view thereof;  
FIG. 18 is a rear view thereof;  
FIG. 19 is a front view thereof;  
FIG. 20 is a top view thereof;  
FIG. 21 is a bottom view thereof;  
FIG. 22 is a front perspective view of a fourth embodiment of the dental device;  
FIG. 23 is a left side view thereof;  
FIG. 24 is a right side view thereof;  
FIG. 25 is a rear view thereof;  
FIG. 26 is a front view thereof;  
FIG. 27 is a top view thereof; and,  
FIG. 28 is a bottom view thereof.  
The broken lines in the drawings depict portions of the dental device that form no part of the claimed design.

**1 Claim, 20 Drawing Sheets**



(58) **Field of Classification Search**  
 CPC ..... A61C 15/02; A61C 15/00; A61C 15/04;  
 A61C 15/041; A61C 15/043; A61C  
 15/045; A61C 15/046; A61C 15/047;  
 A61C 15/048  
 See application file for complete search history.

(56) **References Cited**

U.S. PATENT DOCUMENTS

D279,826 S \* 7/1985 Schindler ..... D28/68  
 D284,896 S \* 7/1986 Ching-Chou ..... D28/68  
 D301,071 S 5/1989 Franchi  
 D301,072 S \* 5/1989 Ross, Jr. .... D28/65  
 D309,803 S \* 8/1990 Potter ..... D28/65  
 D316,617 S \* 4/1991 Cheung ..... D28/68  
 5,246,021 A 9/1993 Katz  
 D357,551 S 4/1995 Schindler  
 D361,157 S \* 8/1995 Carl ..... D28/65  
 D382,367 S 8/1997 Andrade et al.  
 D398,076 S 9/1998 Hafkin  
 5,829,458 A 11/1998 Chodorow  
 D403,120 S 12/1998 Enriquez  
 D410,115 S 5/1999 Chodorow  
 D463,626 S \* 9/2002 Huang ..... D28/65  
 D481,829 S 11/2003 Gwen  
 D484,643 S 12/2003 Nanda  
 D531,758 S 11/2006 Jansheski et al.  
 D532,160 S 11/2006 Jansheski et al.  
 D532,934 S 11/2006 Crossman  
 D545,499 S 6/2007 Xu  
 D578,254 S 10/2008 Grendol  
 D582,098 S 12/2008 Jansheski et al.  
 D599,557 S 8/2009 Crossman  
 D606,706 S 12/2009 Chodorow et al.  
 D607,152 S 12/2009 Chodorow et al.  
 D607,606 S 1/2010 Chodorow et al.  
 D609,405 S 2/2010 Jansheski et al.  
 D610,748 S 2/2010 Volpenhein et al.  
 D612,104 S 3/2010 Chodorow et al.  
 D618,396 S 6/2010 Volpenhein et al.  
 D637,762 S \* 5/2011 Nanda ..... D28/65  
 D640,007 S 6/2011 Jansheski et al.  
 D640,833 S \* 6/2011 Kang ..... D28/68  
 D641,522 S 7/2011 Nanda  
 7,997,287 B2 8/2011 Jansheski et al.

D649,713 S 11/2011 Kollar  
 8,069,865 B1 12/2011 Winter  
 D655,044 S 2/2012 Nanda  
 8,342,193 B2 1/2013 Lui et al.  
 8,375,961 B2 2/2013 Prokopchuk et al.  
 D679,864 S 4/2013 Erskine-Smith  
 D681,879 S \* 5/2013 Stebila ..... D28/66  
 8,522,798 B2 9/2013 Kollar  
 D691,377 S \* 10/2013 Zarrabi ..... D28/68  
 D707,890 S 6/2014 Stebila et al.  
 D707,892 S 6/2014 Stebila et al.  
 D731,710 S 6/2015 Misner et al.  
 D750,326 S 2/2016 Lannie  
 D760,958 S \* 7/2016 Xu ..... D28/66  
 D760,959 S \* 7/2016 Xu ..... D28/66  
 D763,510 S 8/2016 Stebila et al.  
 D765,915 S 9/2016 Lannie  
 D769,532 S 10/2016 Fisher et al.  
 D772,485 S \* 11/2016 Xu ..... D28/66  
 D772,486 S \* 11/2016 Xu ..... D28/66  
 D772,578 S \* 11/2016 Isaacs ..... D28/68  
 D774,253 S \* 12/2016 Oechslin ..... D28/66  
 D777,377 S 1/2017 Dudley  
 D804,097 S \* 11/2017 Smith ..... D28/66  
 D812,816 S \* 3/2018 Hanson ..... D28/66  
 D814,704 S \* 4/2018 Triato ..... D28/66  
 D819,276 S \* 5/2018 Kramer ..... D28/68  
 D828,959 S \* 9/2018 Martone ..... D28/68  
 2008/0149134 A1 6/2008 Crossman  
 2010/0294294 A1 11/2010 Wu  
 2012/0234350 A1 9/2012 Mowell et al.  
 2016/0067021 A1 3/2016 Zwimpfer et al.  
 2016/0278894 A1\* 9/2016 Xu ..... A61C 15/046

OTHER PUBLICATIONS

Qivange Dental Floss Picks, posted May 17, 2018 [online], retrieved Dec. 6, 2018, retrieved from internet, <<https://www.amazon.com/Qivange-Unflavored-Durable-Disposable-Individual/dp/B0793MQM46>>.\*  
 Oral-B Glide 3D White Dental Floss Picks, posted Mar. 7, 2014 [online], retrieved Dec. 6, 2018, retrieved from internet, <<https://www.amazon.com/Oral-B-Glide-White-Dental-Radiant/dp/B00763LZF8>>.\*

\* cited by examiner

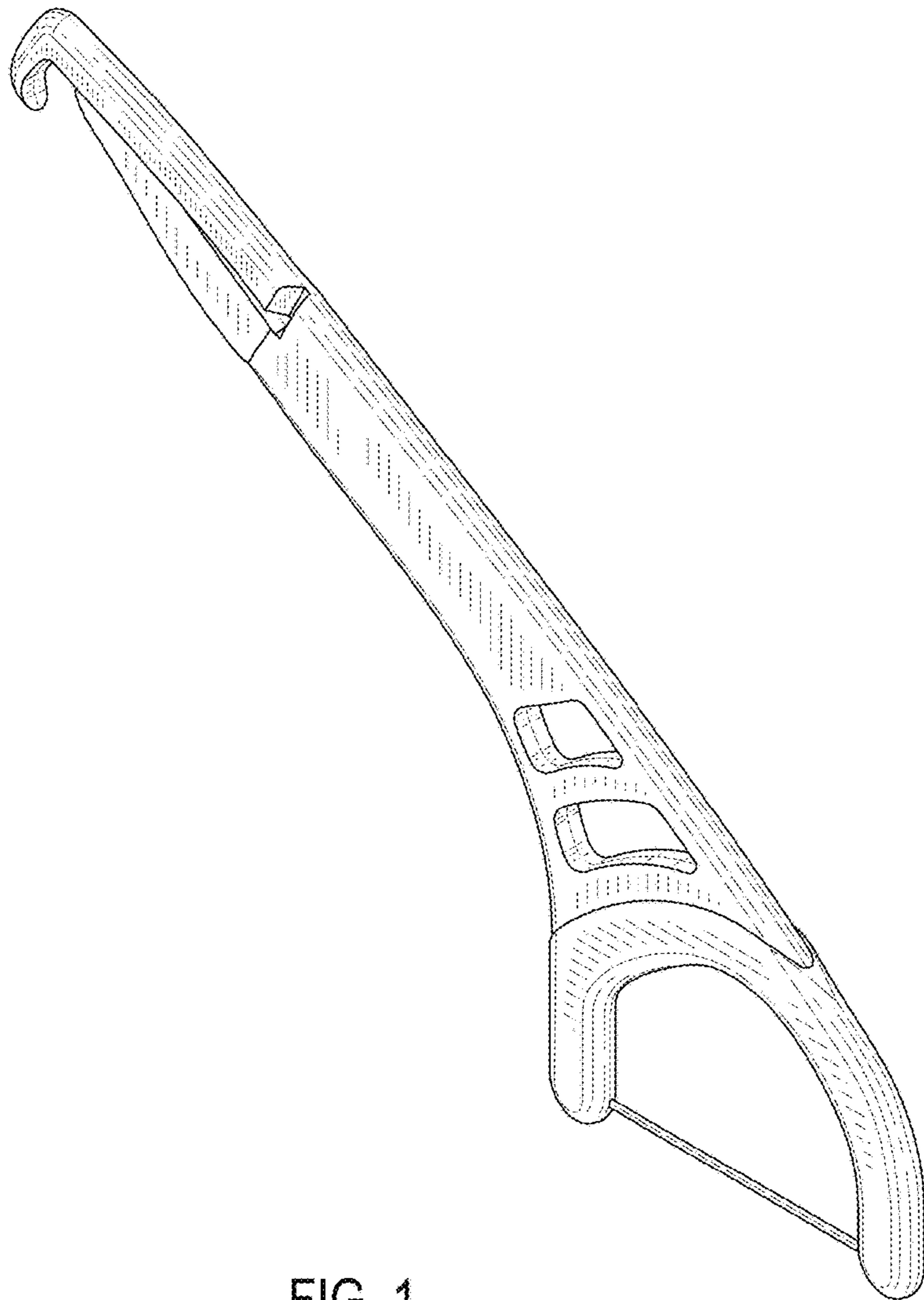


FIG. 1

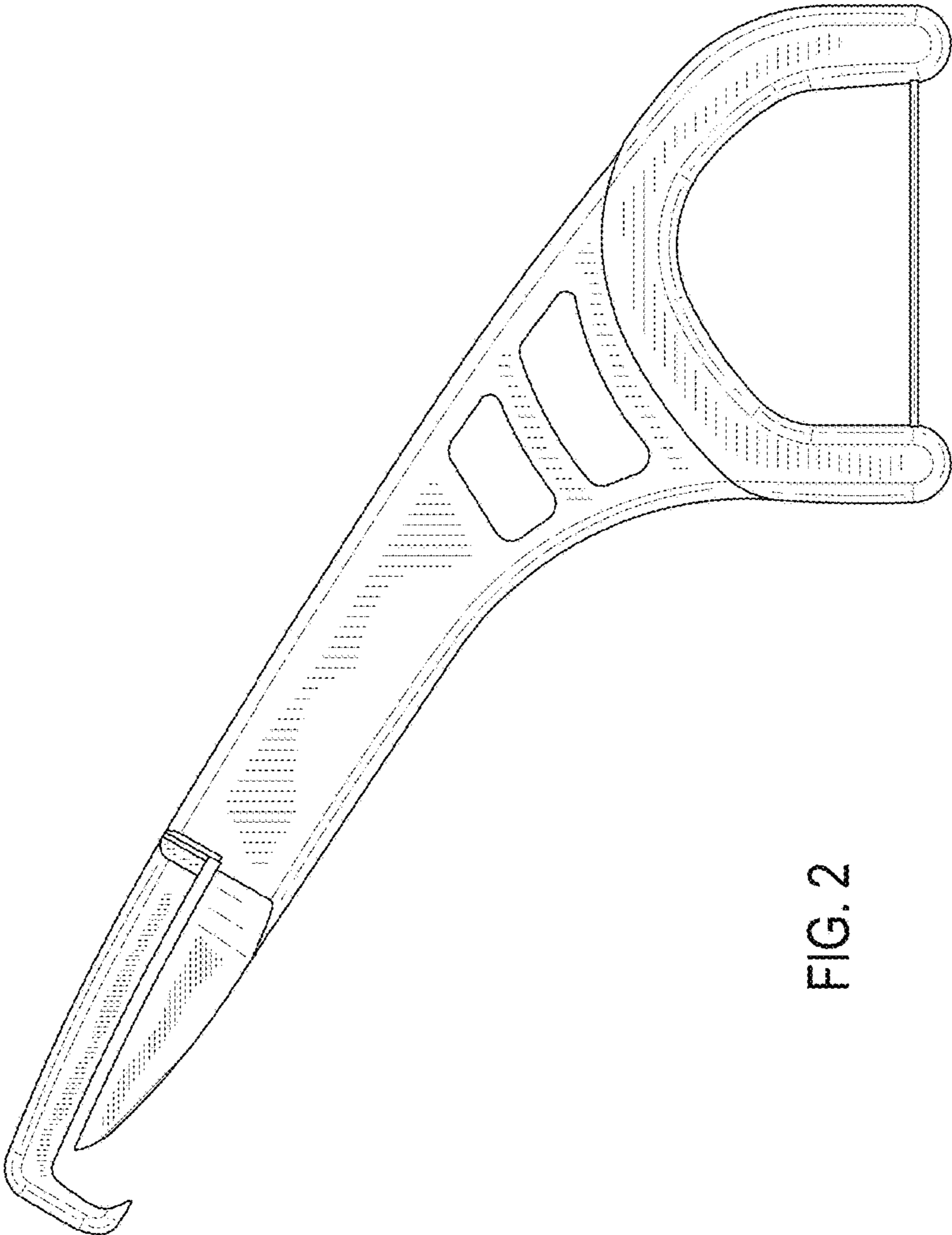


FIG. 2

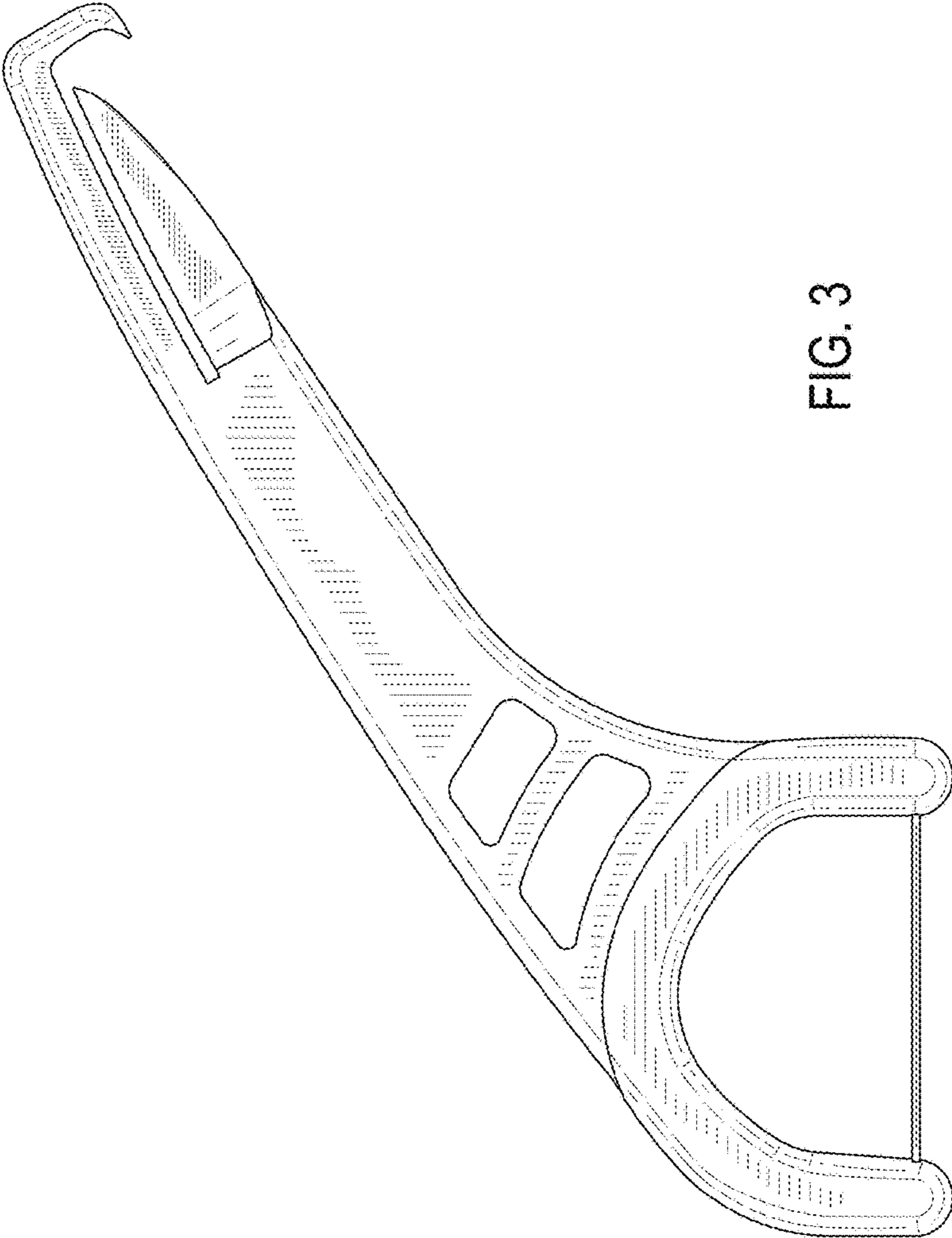


FIG. 3

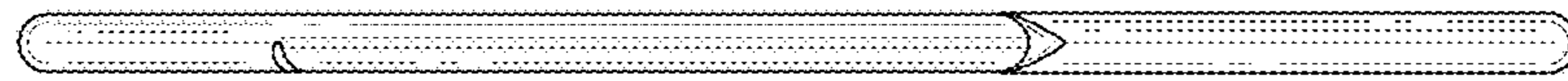


FIG. 5

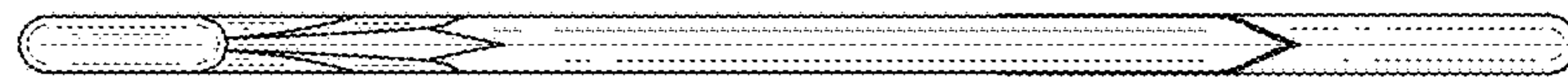


FIG. 4

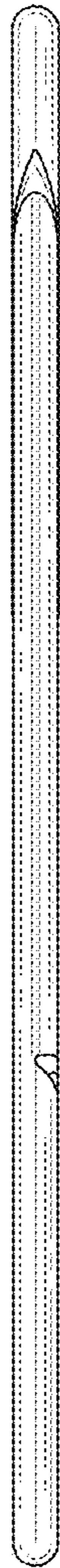


FIG. 6

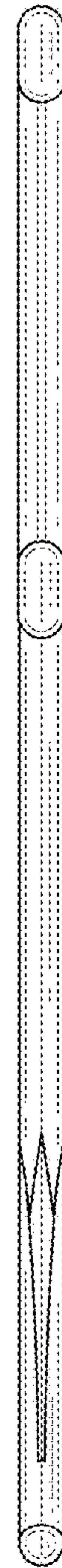


FIG. 7

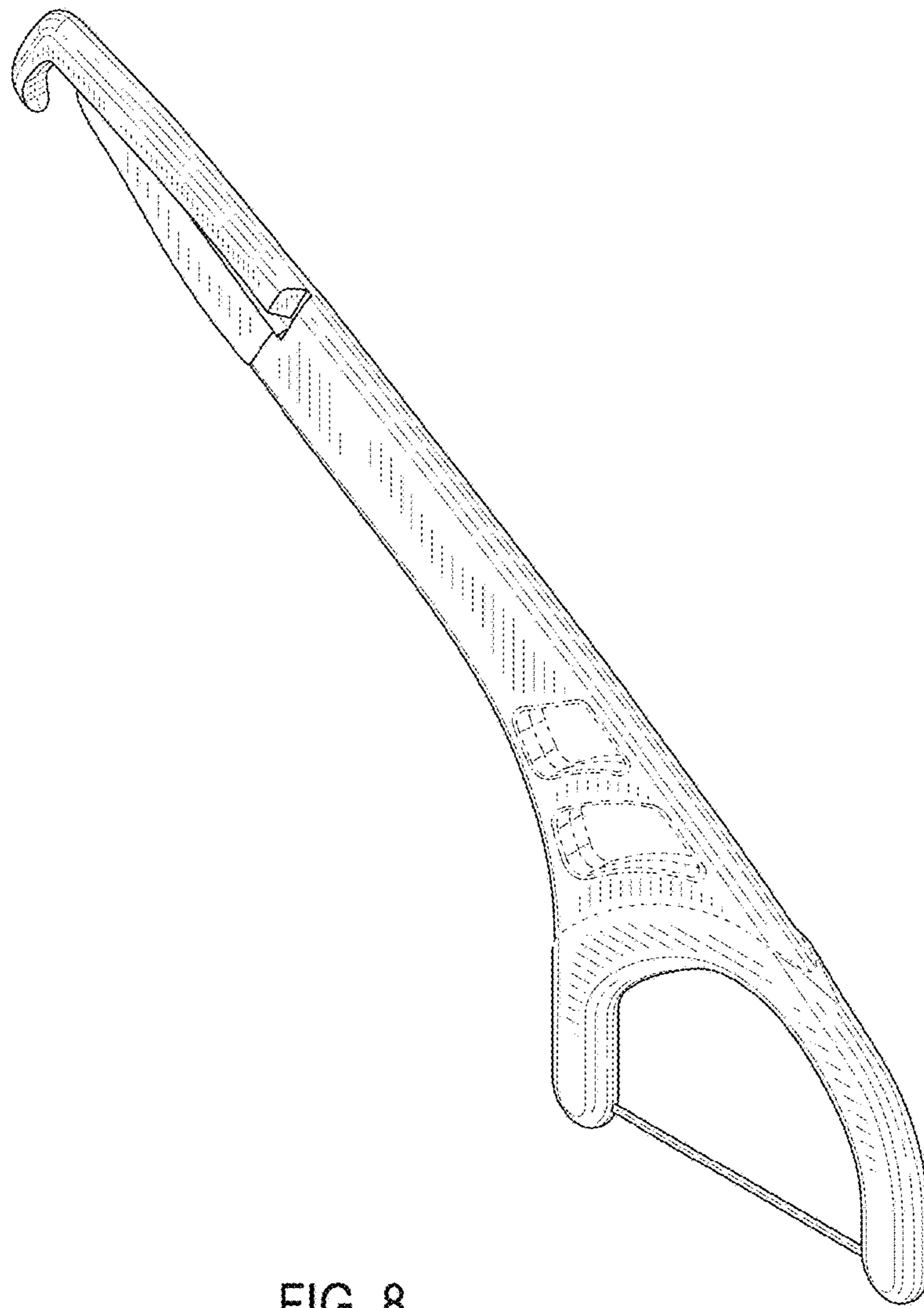


FIG. 8



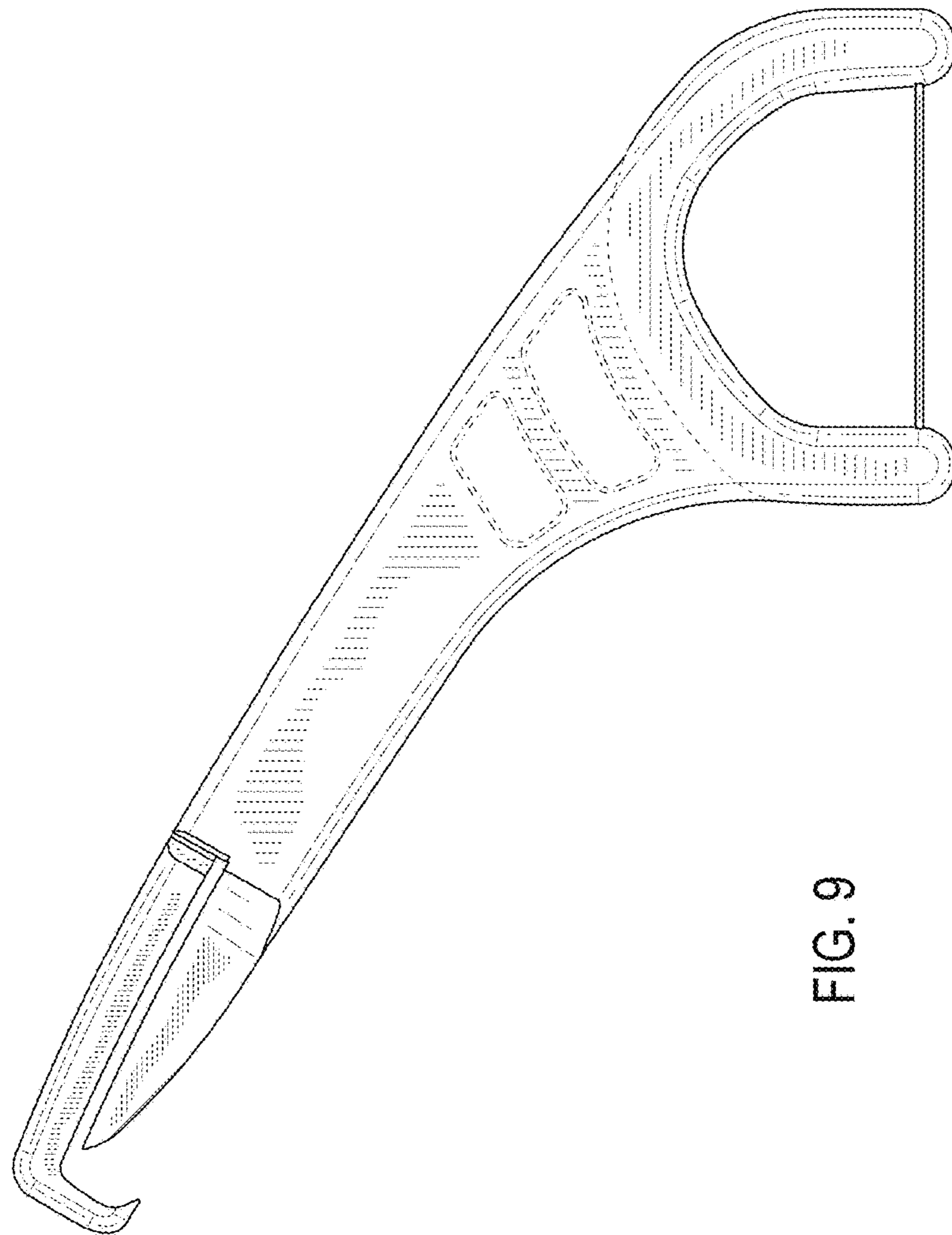


FIG. 9

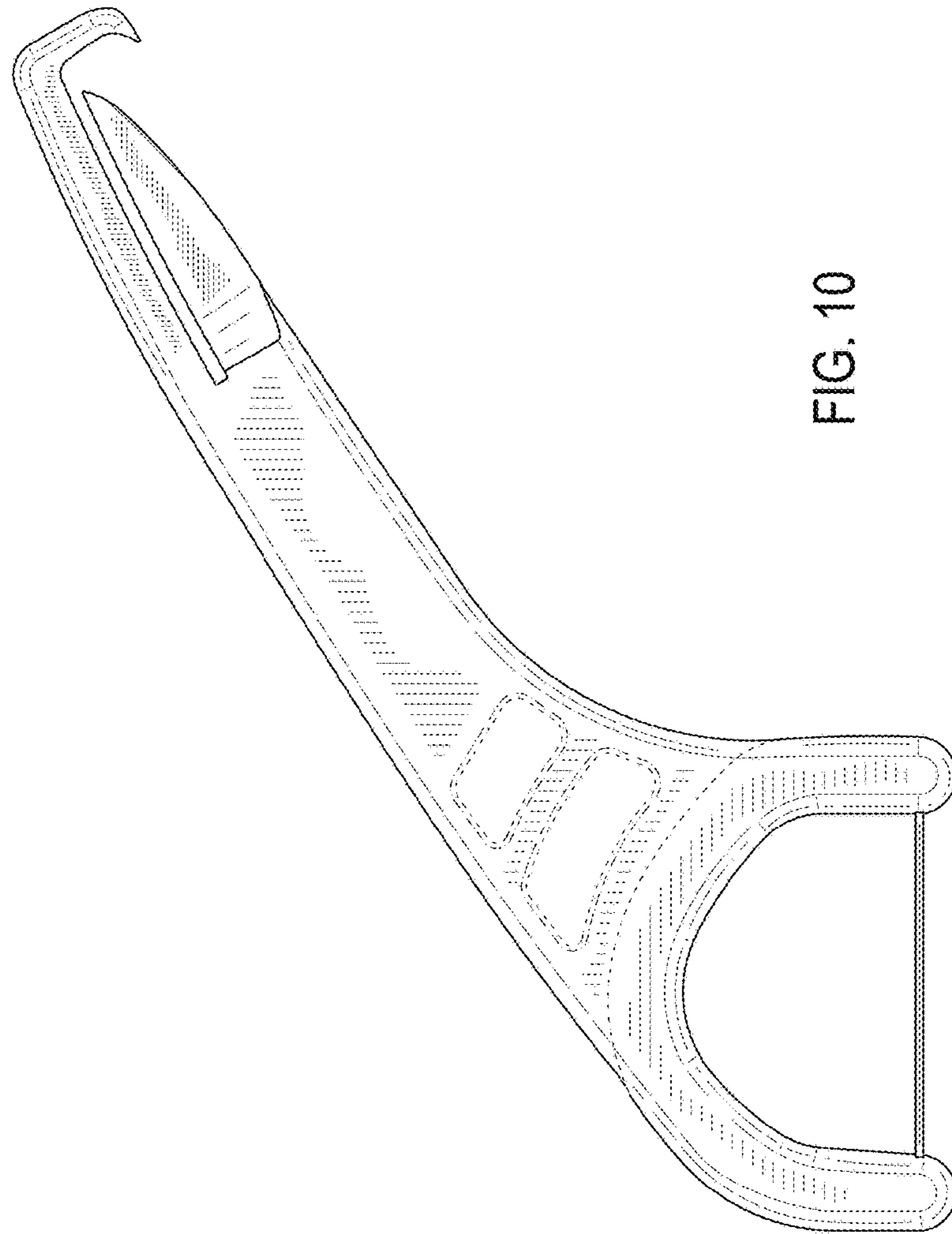


FIG. 10

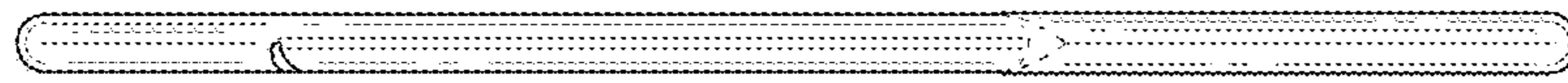


FIG. 11

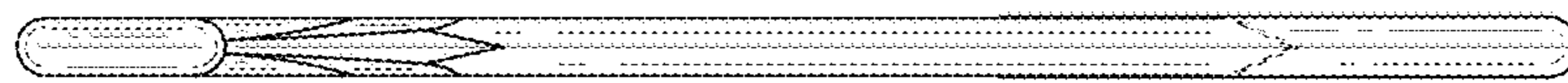


FIG. 12



FIG. 13

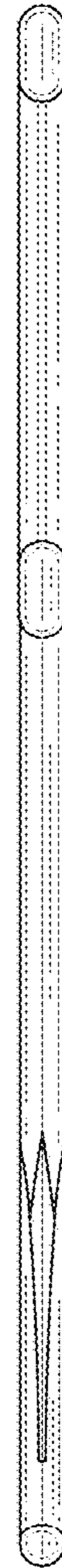


FIG. 14

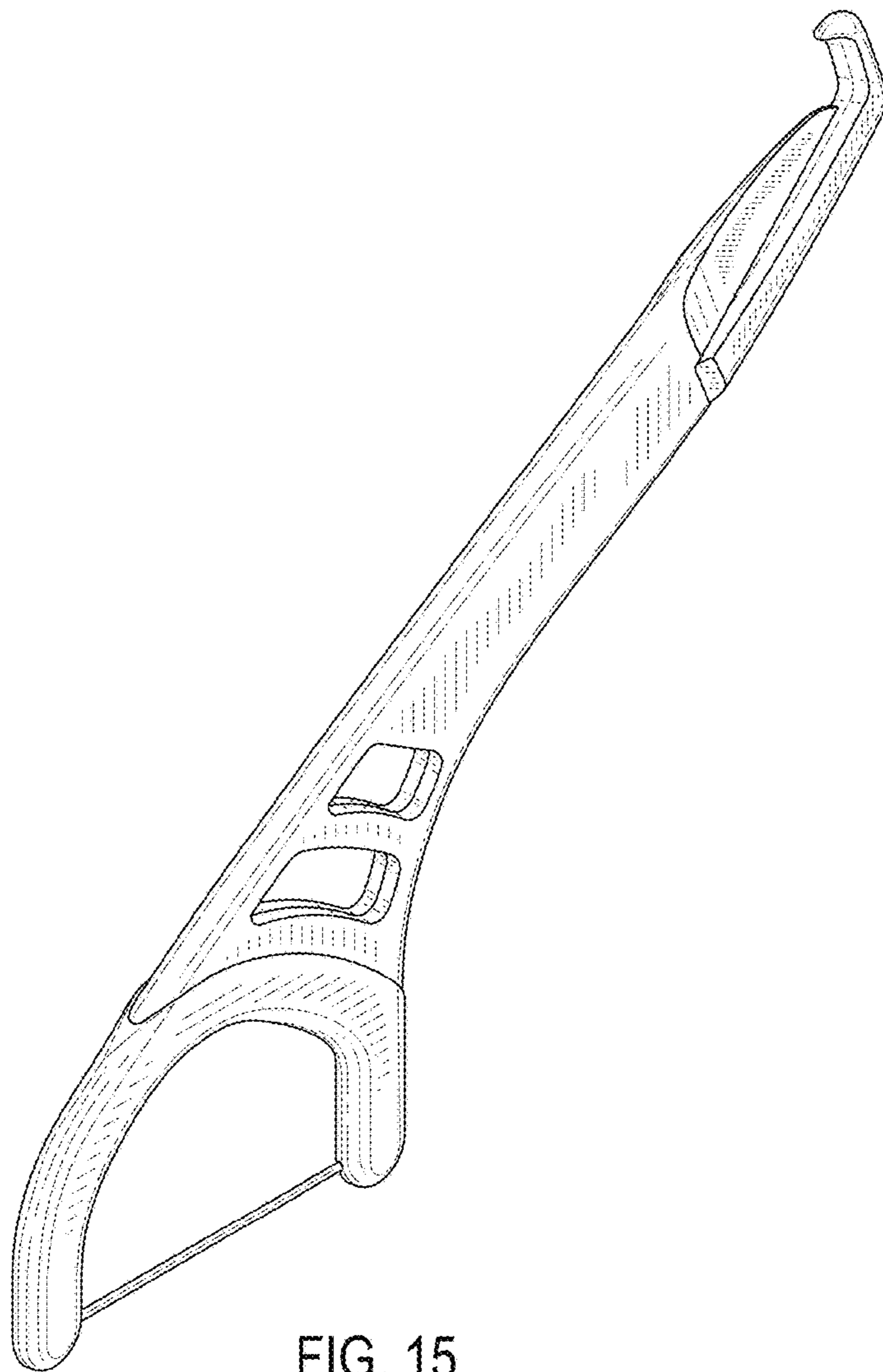


FIG. 15

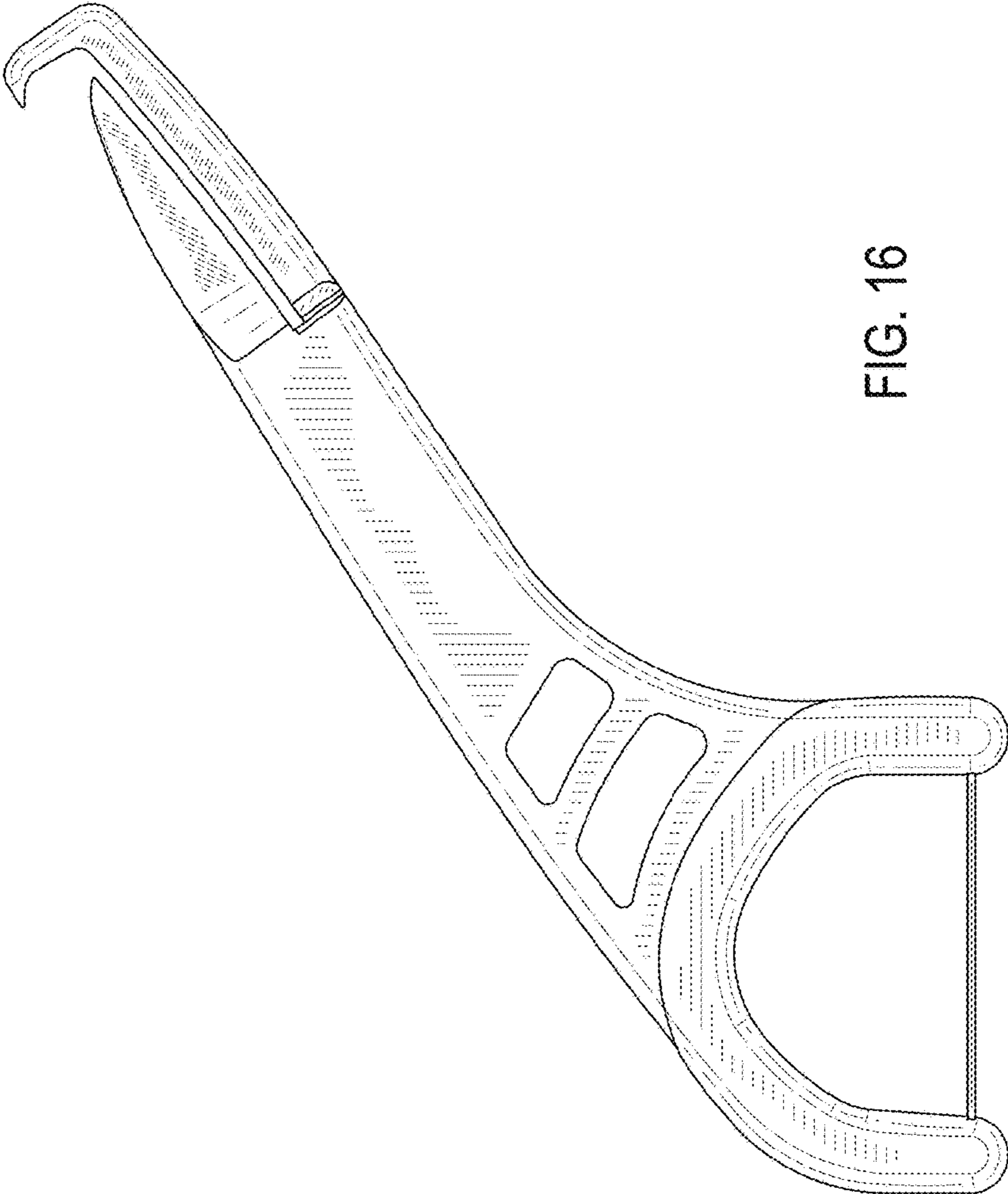


FIG. 16

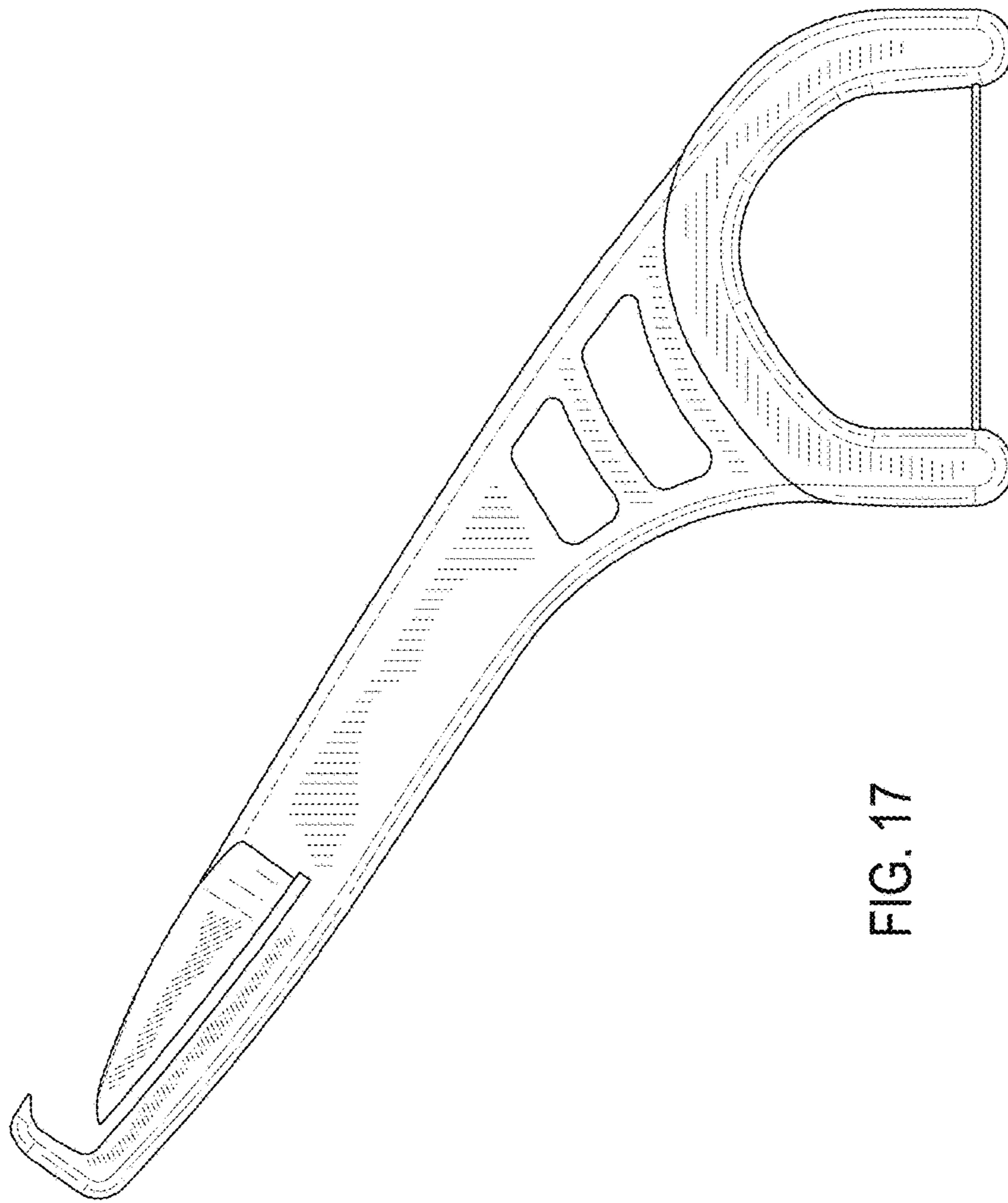


FIG. 17

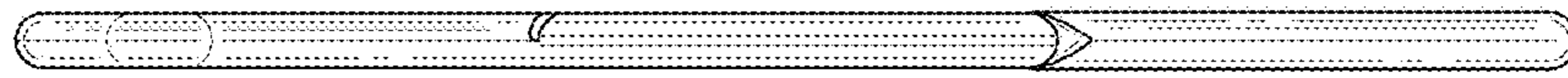


FIG. 18

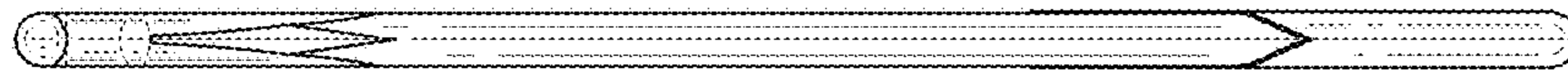


FIG. 19



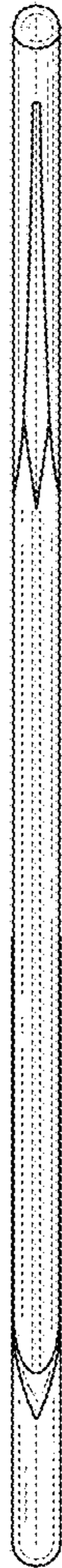


FIG. 20

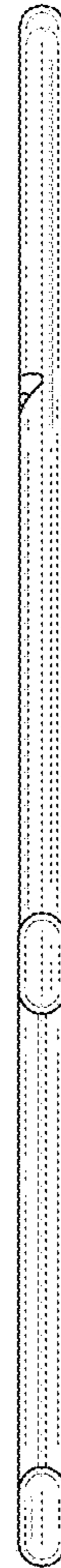


FIG. 21

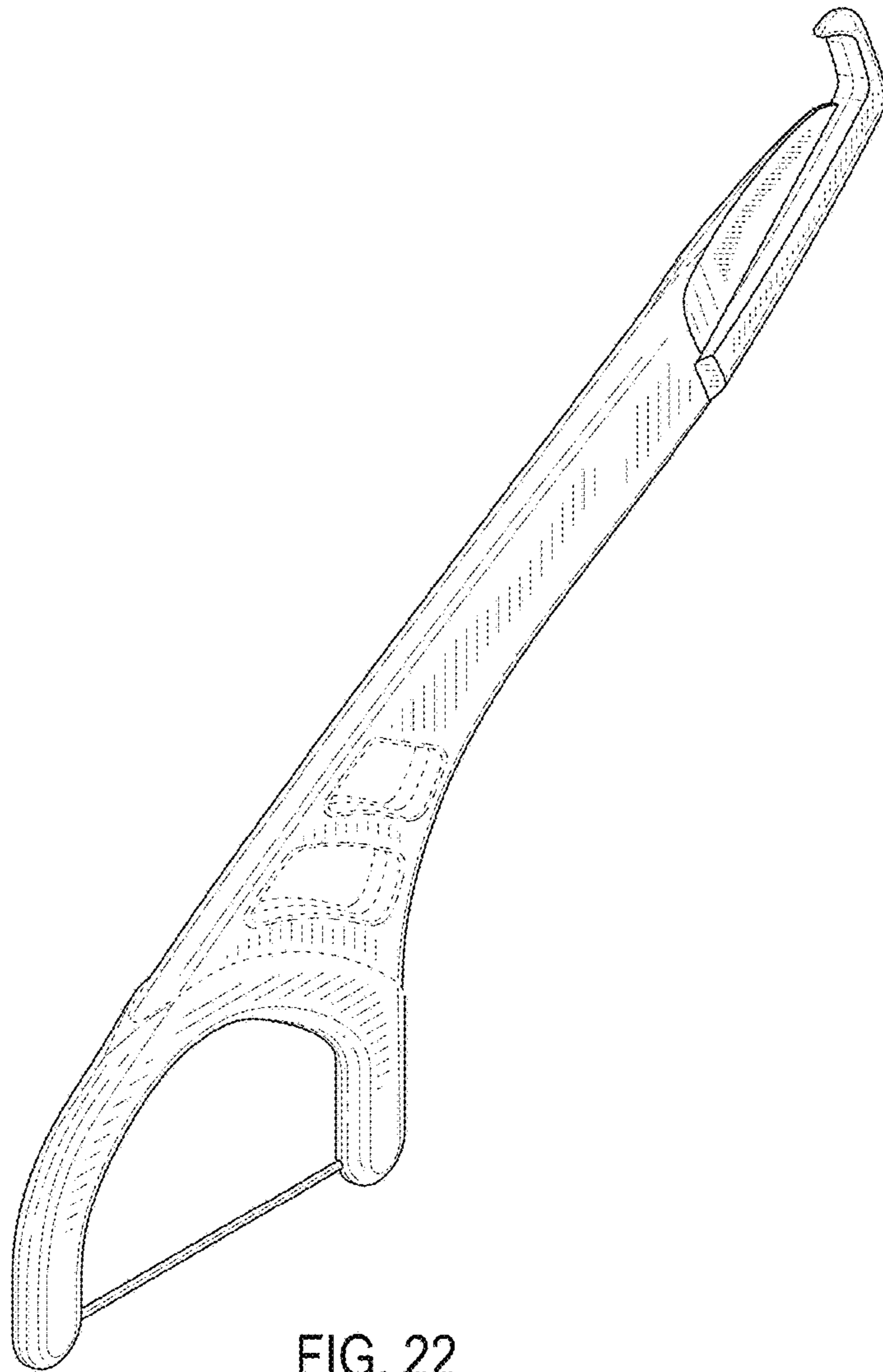


FIG. 22

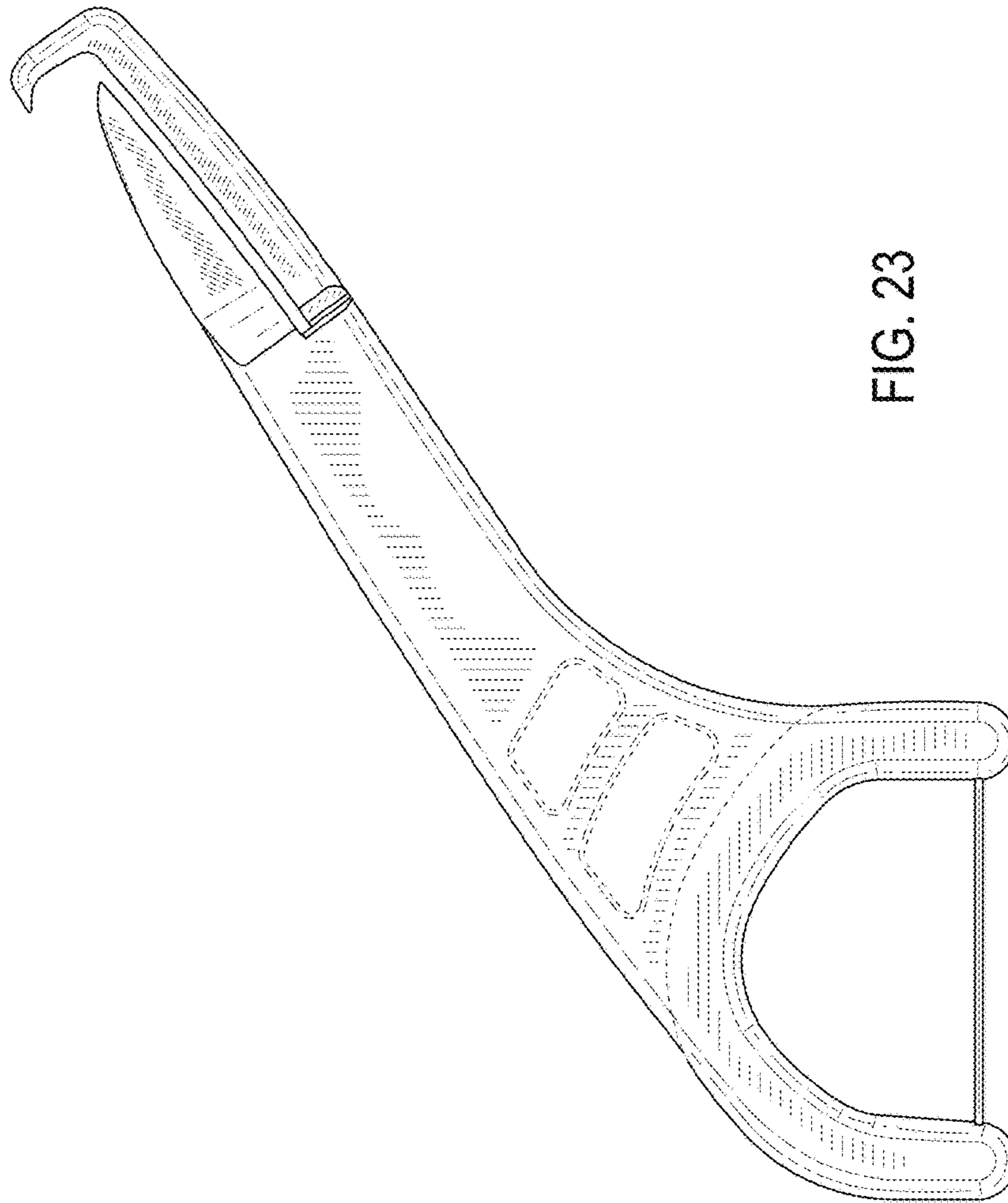


FIG. 23

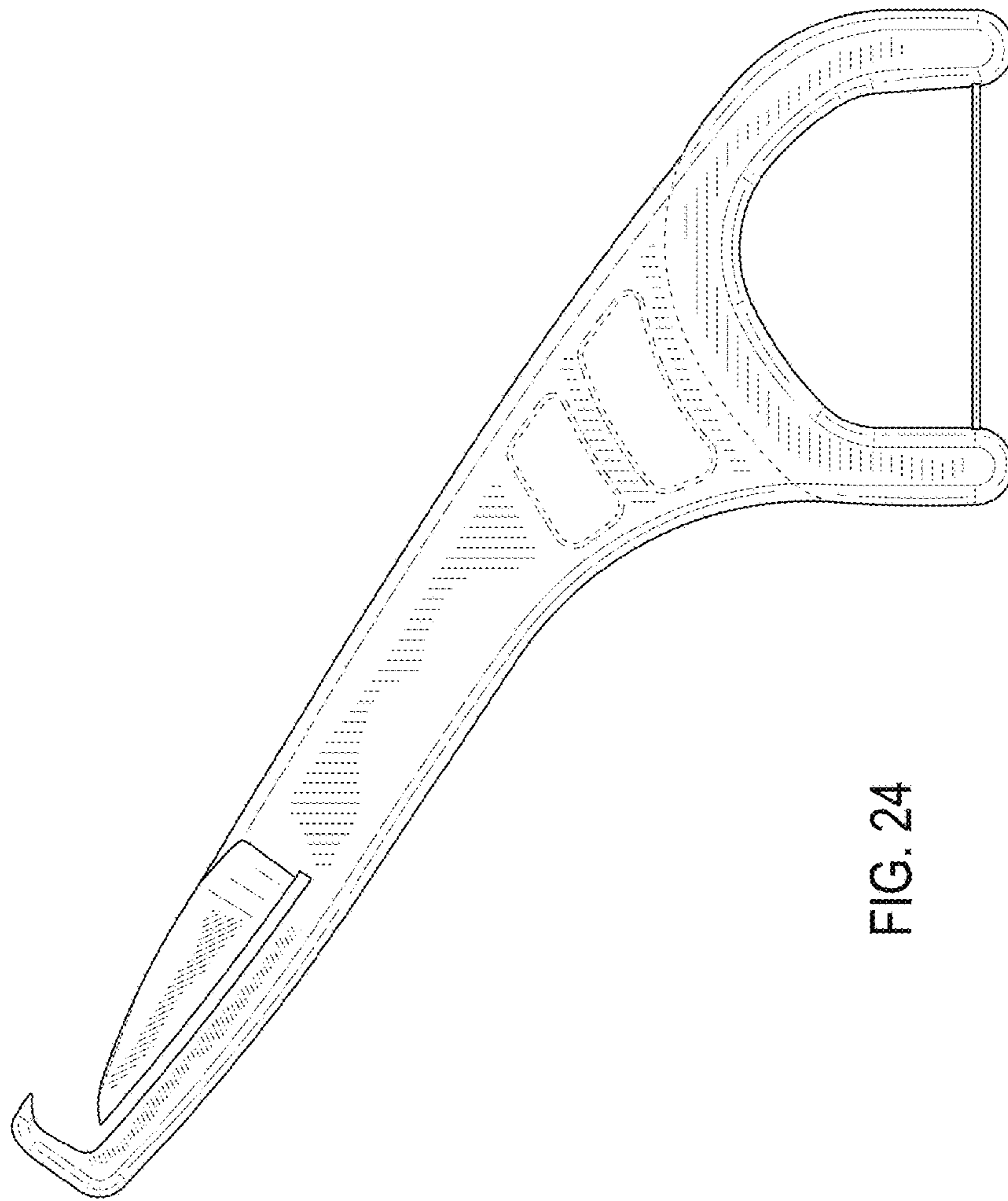


FIG. 24

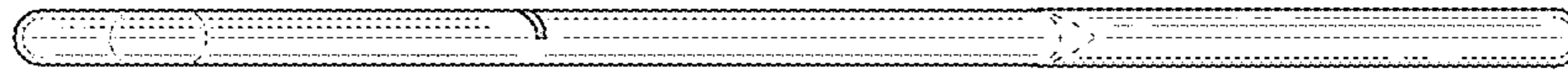


FIG. 25

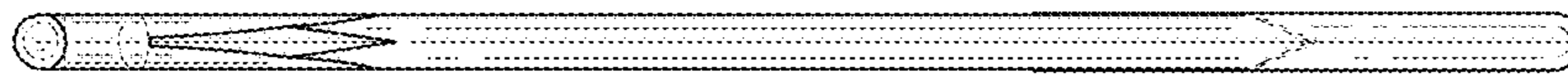


FIG. 26



FIG. 27

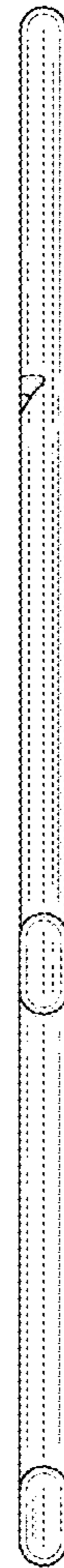


FIG. 28