



US00D857993S

(12) **United States Design Patent** (10) **Patent No.:** **US D857,993 S**
Hsieh et al. (45) **Date of Patent:** **** Aug. 27, 2019**

(54) **PHOTOCURING DEVICE**
(71) Applicant: **COSMEX CO., LTD.**, New Taipei (TW)
(72) Inventors: **Wan Chieh Hsieh**, New Taipei (TW);
Pai Yao Hsieh, New Taipei (TW);
Hung Wei Chang, New Taipei (TW);
Kuan Chen Liao, New Taipei (TW)

D745,741 S * 12/2015 Jih D28/54.1
D751,761 S * 3/2016 Jih D28/54.1
D755,442 S * 5/2016 Jih D28/54.1
D765,913 S * 9/2016 Dadon D28/58
D805,692 S * 12/2017 Cheng D28/58
10,117,494 B1 * 11/2018 Luu G21K 5/02
2016/0089694 A1 * 3/2016 Jih B05D 3/067
34/202

(73) Assignee: **COSMEX CO., LTD.**, New Taipei (TW)

Cosmex nail lamps, www.cosmex-tek.com, 1 page, downloaded Dec. 13, 2018.*

(**) Term: **15 Years**

* cited by examiner

(21) Appl. No.: **29/631,889**

Primary Examiner — Jennifer Rivard

(22) Filed: **Jan. 3, 2018**

(74) *Attorney, Agent, or Firm* — Muncy, Geissler, Olds & Lowe, P.C.

(30) **Foreign Application Priority Data**

Aug. 17, 2017 (TW) 106304753

(51) **LOC (12) Cl.** **28-03**

(52) **U.S. Cl.**
USPC **D28/58**

(58) **Field of Classification Search**
USPC D28/56–58, 54.1
CPC A45D 29/00; A45D 2200/15–155; A45D 2200/205; A45D 29/20; A45D 29/007
See application file for complete search history.

(56) **References Cited**

U.S. PATENT DOCUMENTS

D492,447 S * 6/2004 Mills D28/54.1
D692,617 S * 10/2013 Haile D28/58
D702,400 S * 4/2014 Valia D28/54.1
D704,889 S * 5/2014 Chiu D28/54.1
D715,494 S * 10/2014 Kim D28/54.1
D734,548 S * 7/2015 Dadon D28/54.1

OTHER PUBLICATIONS

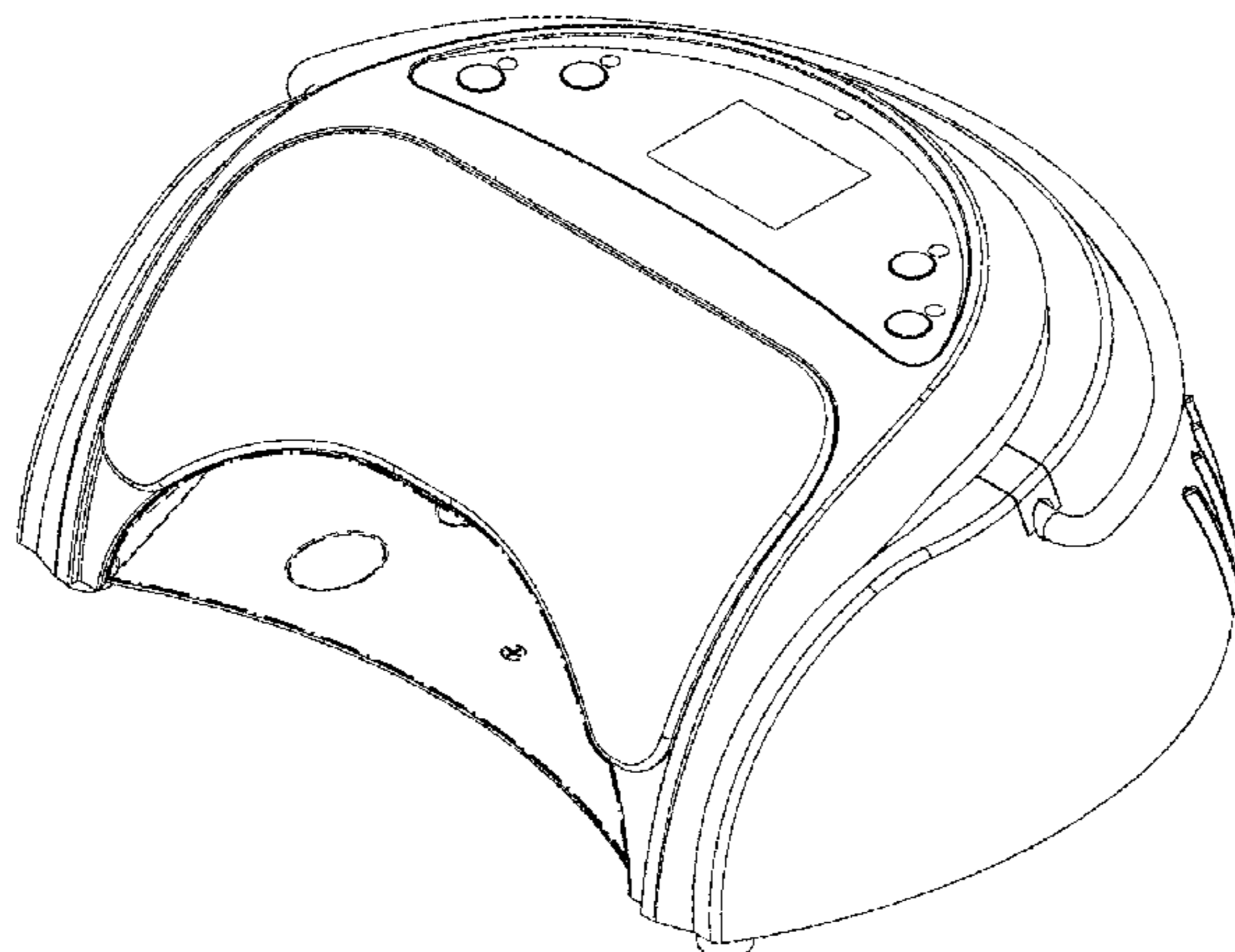
(57) **CLAIM**

We claim the ornamental design for a photocuring device, as shown and described.

DESCRIPTION

FIG. 1 is a front, top, right perspective view of a photocuring device, showing our new design;
FIG. 2 is a front elevational view thereof;
FIG. 3 is a rear elevational view thereof;
FIG. 4 is a left side elevational view thereof;
FIG. 5 is a right side elevational view thereof;
FIG. 6 is a top plan view thereof; and,
FIG. 7 is a bottom plan view thereof.
The dash dot dash broken lines illustrate the boundary of the design. The remaining broken lines illustrate portions of the photocuring device. None of the broken lines form part of the claimed design.

1 Claim, 7 Drawing Sheets



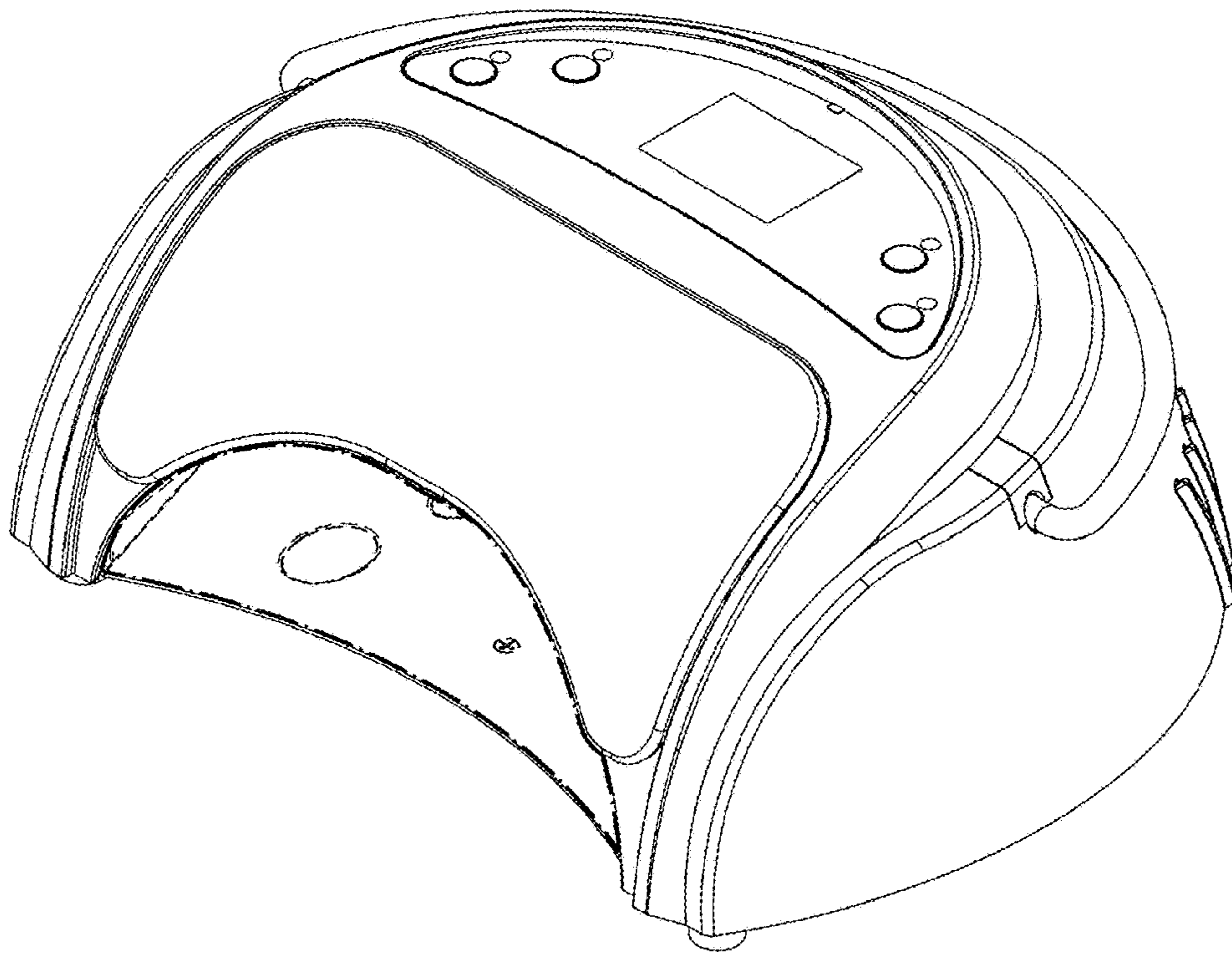


FIG. 1

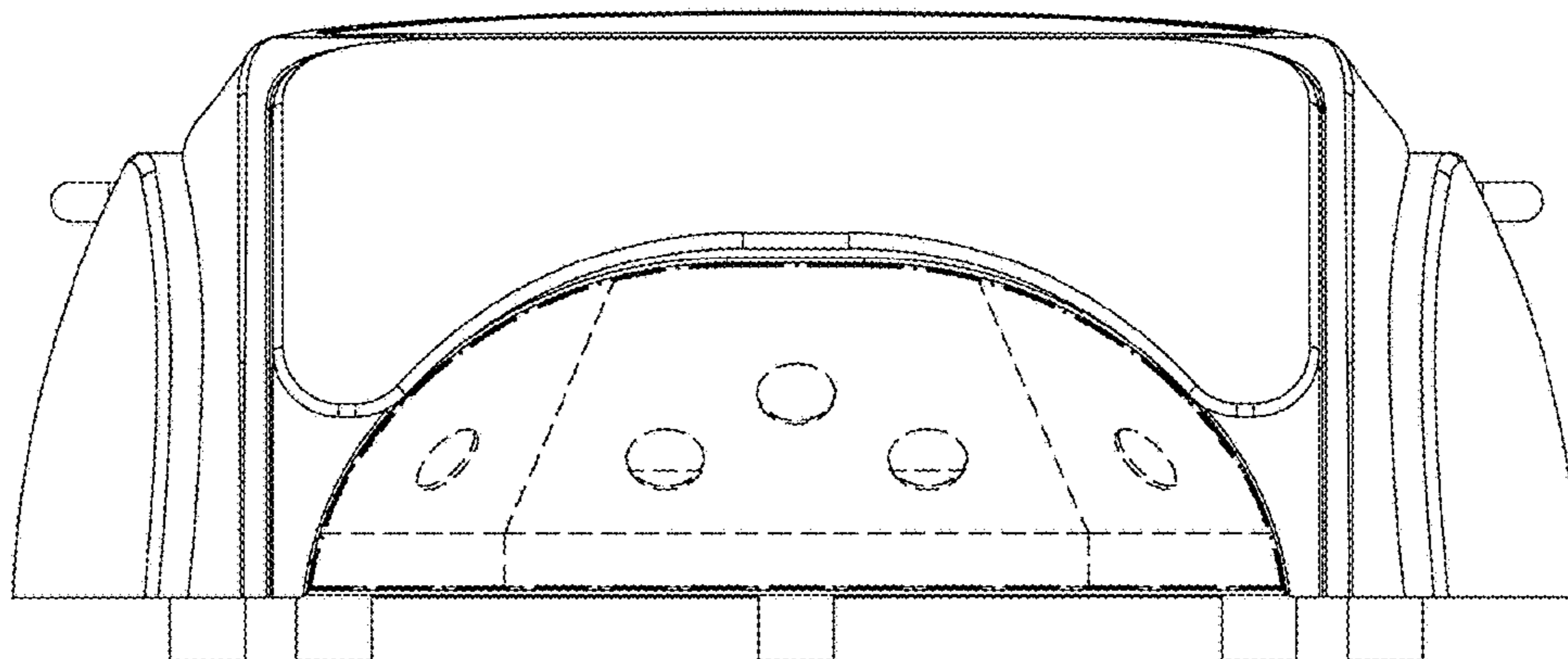


FIG. 2

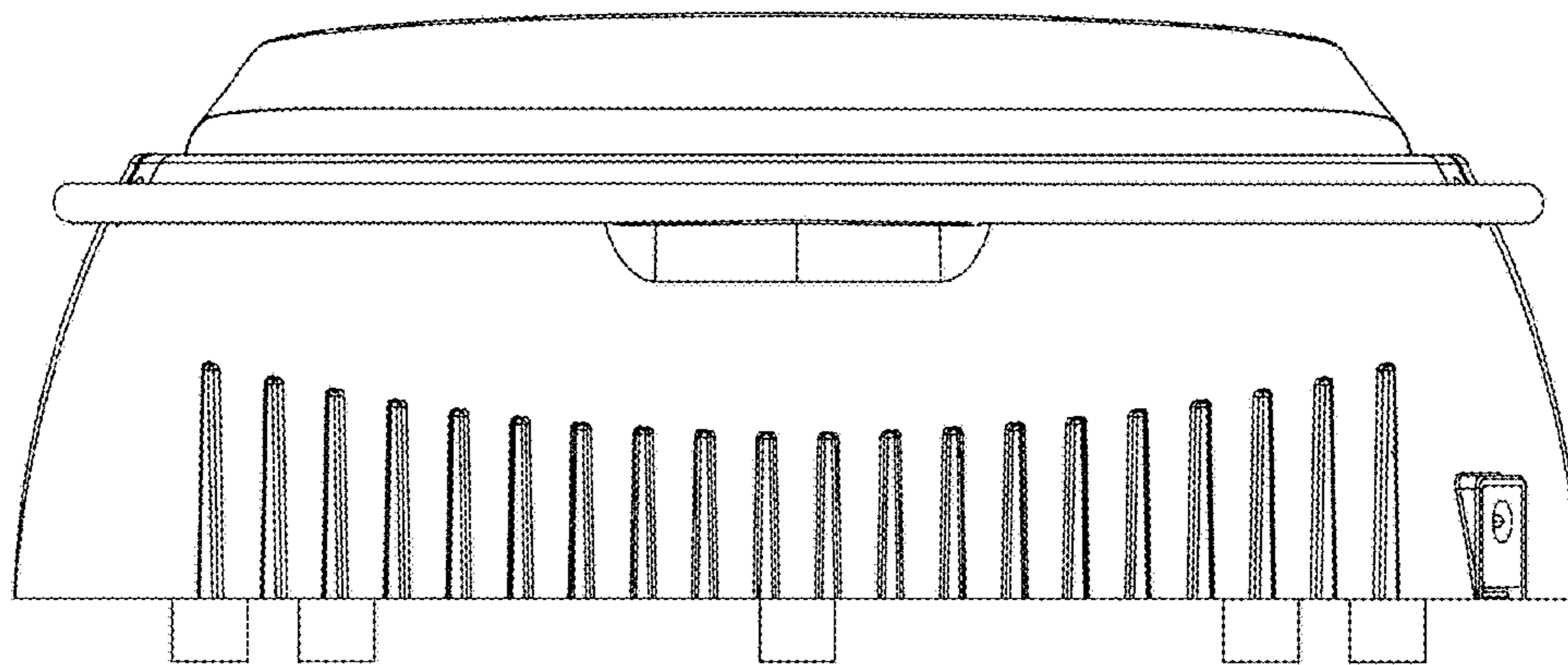


FIG. 3

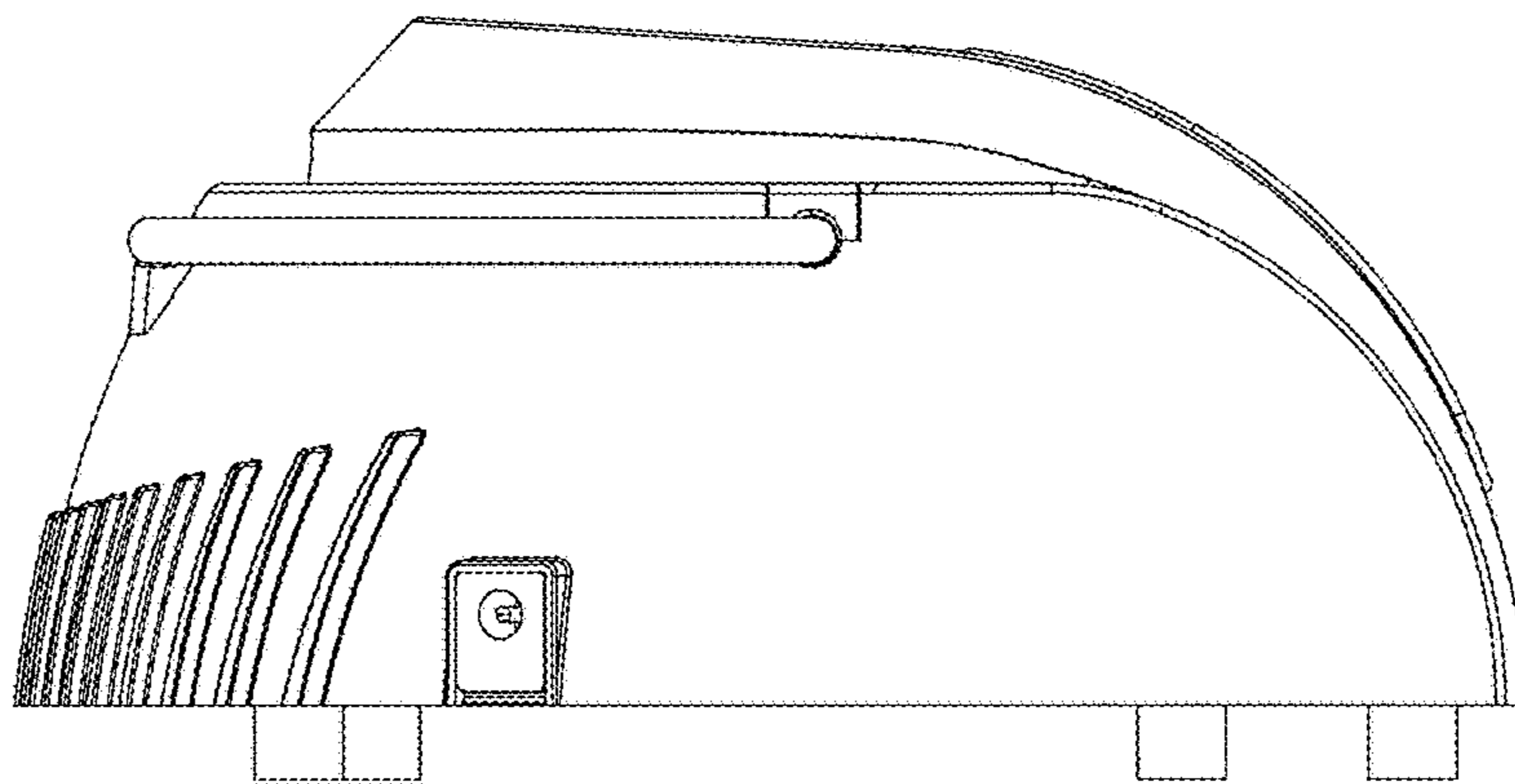


FIG. 4

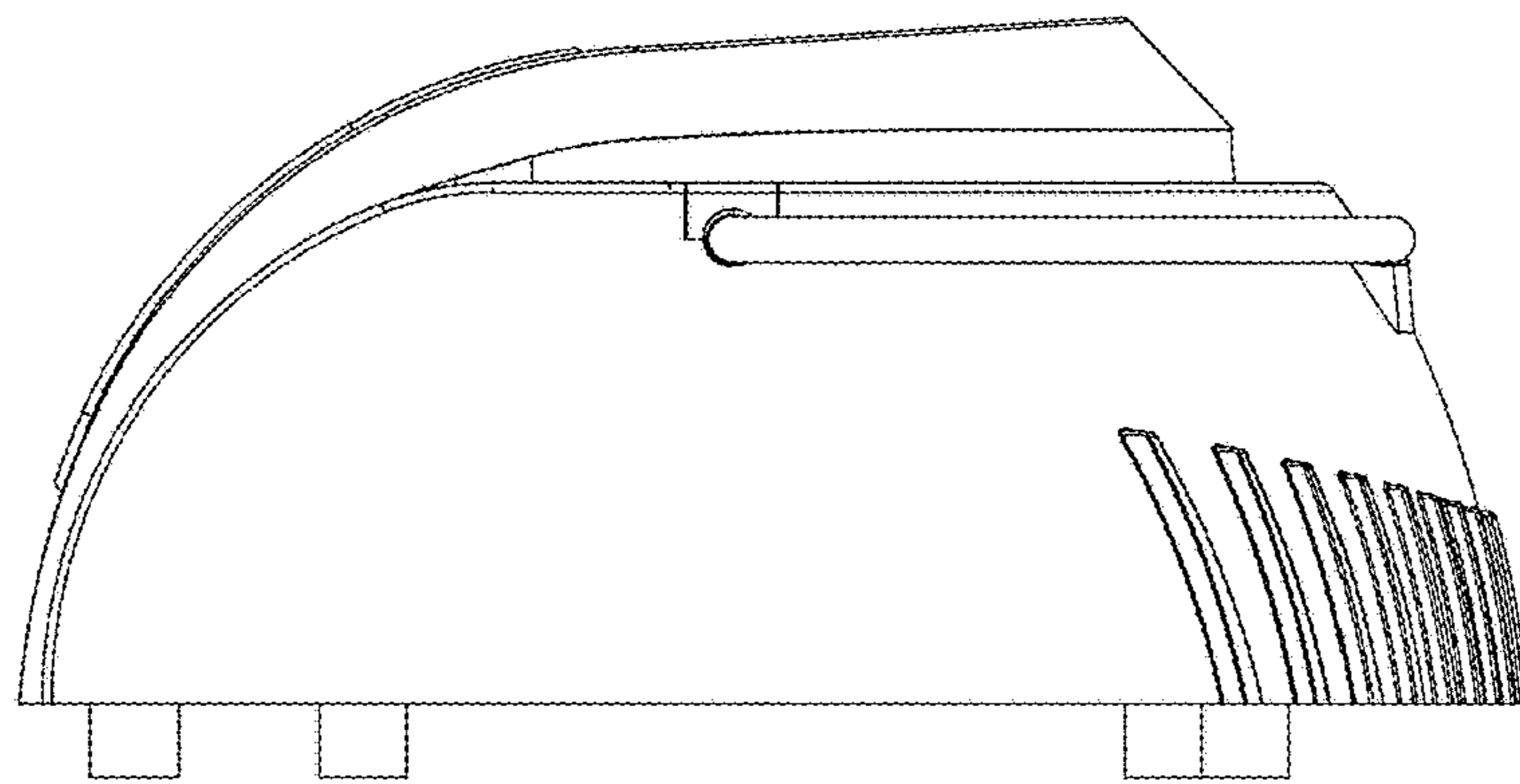


FIG. 5

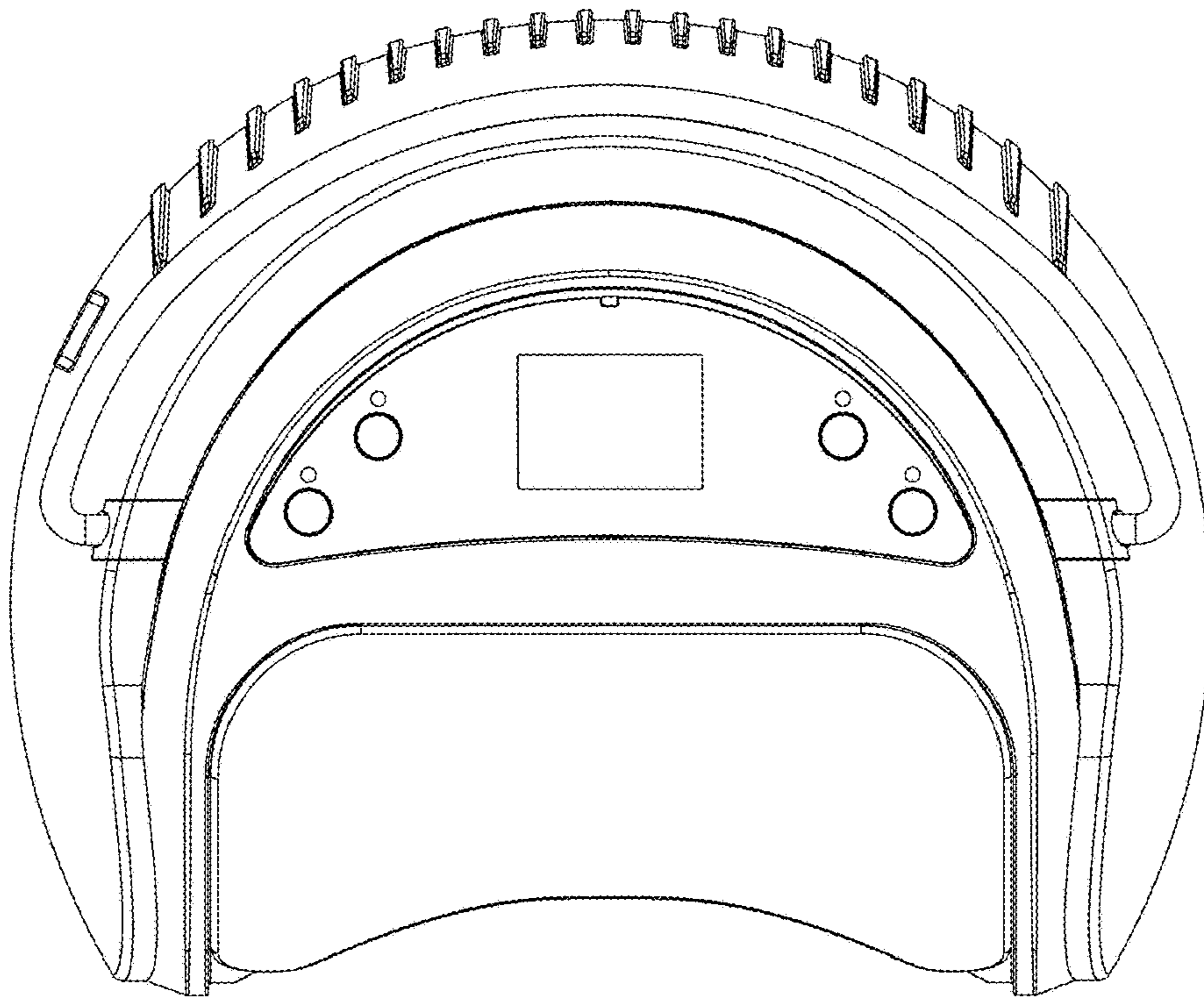


FIG. 6

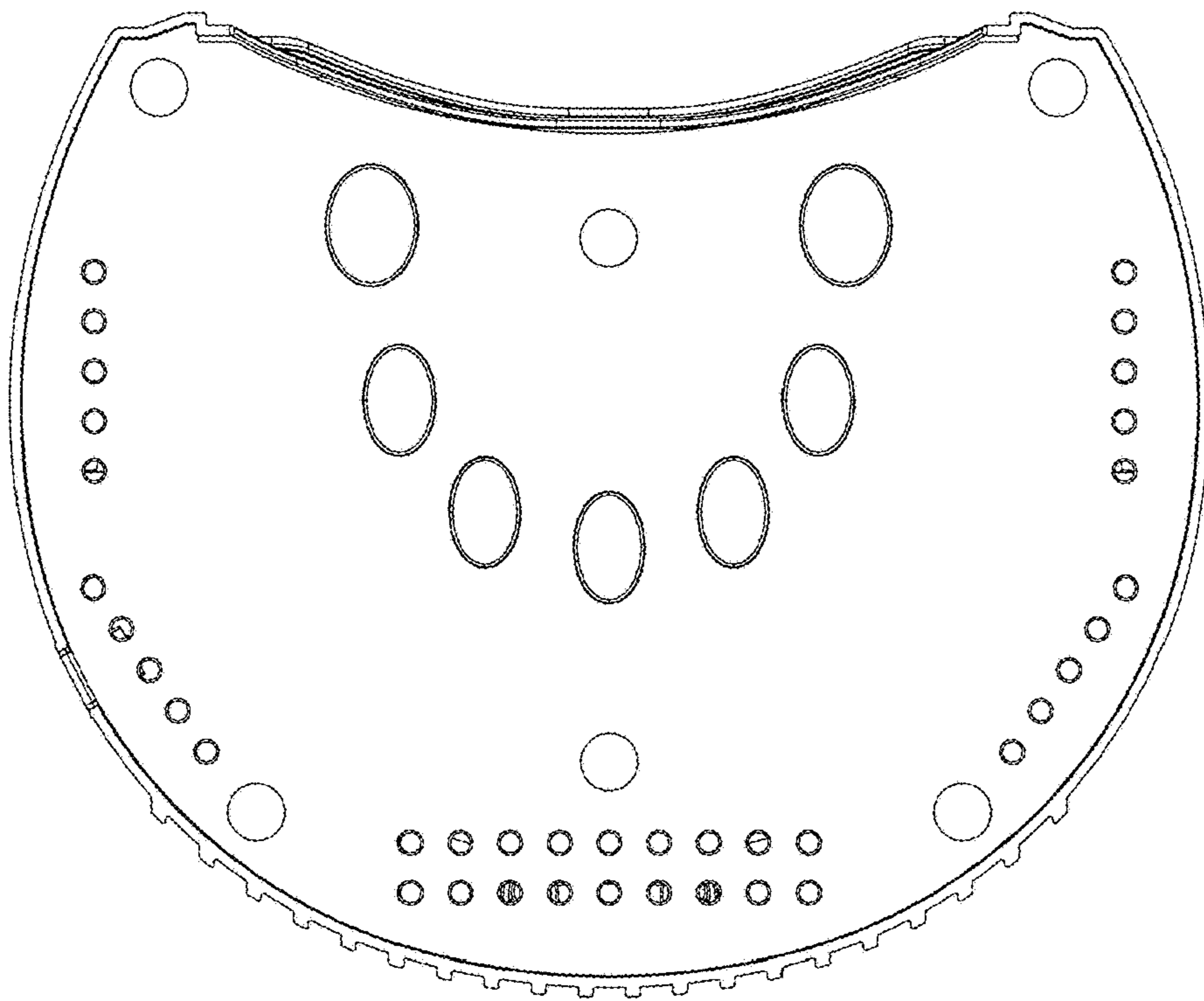


FIG. 7