



US00D857992S

(12) **United States Design Patent**
Kim et al.

(10) **Patent No.:** **US D857,992 S**

(45) **Date of Patent:** **** Aug. 27, 2019**

(54) **COMBINED AIR FILTRATION SYSTEM AND NAIL CURING DEVICE**

(71) Applicant: **Shinsung ENG co., ltd.**, Gyeonggi-do (KR)

(72) Inventors: **Dong Kwon Kim**, Incheon (KR); **Hoi Won Kim**, Gyeonggi-do (KR); **Yang Joon Kim**, Gyeonggi-do (KR); **Mi Ryung Kim**, Seoul (KR)

(73) Assignee: **Shinsung ENG co., ltd.**, Gyeonggi-do (KR)

(**) Term: **15 Years**

(21) Appl. No.: **29/627,536**

(22) Filed: **Nov. 28, 2017**

(51) **LOC (12) Cl.** **28-03**

(52) **U.S. Cl.**
USPC **D28/58**

(58) **Field of Classification Search**
USPC D28/56-58, 54.1
CPC A45D 29/00; A45D 2200/15-155; A45D 2200/205; A45D 29/20; A45D 29/007
See application file for complete search history.

(56) **References Cited**

U.S. PATENT DOCUMENTS

D633,237 S * 2/2011 Wang D26/26
D680,272 S * 4/2013 Cheng D28/54.1

D698,495 S * 1/2014 Lee D28/54.1
D702,400 S * 4/2014 Valia D28/54.1
D715,494 S * 10/2014 Kim D28/54.1
D734,548 S * 7/2015 Dadon D28/54.1
D751,761 S * 3/2016 Jih D28/54.1
D777,981 S * 1/2017 Oh D28/54.1
D805,692 S * 12/2017 Cheng D28/58
D827,203 S * 8/2018 Ouyang D28/58
2015/0290675 A1 * 10/2015 Lin A45D 29/00
250/494.1

* cited by examiner

Primary Examiner — Jennifer Rivard

(74) *Attorney, Agent, or Firm* — Millen, White, Zelano & Branigan, P.C.; William Nixon

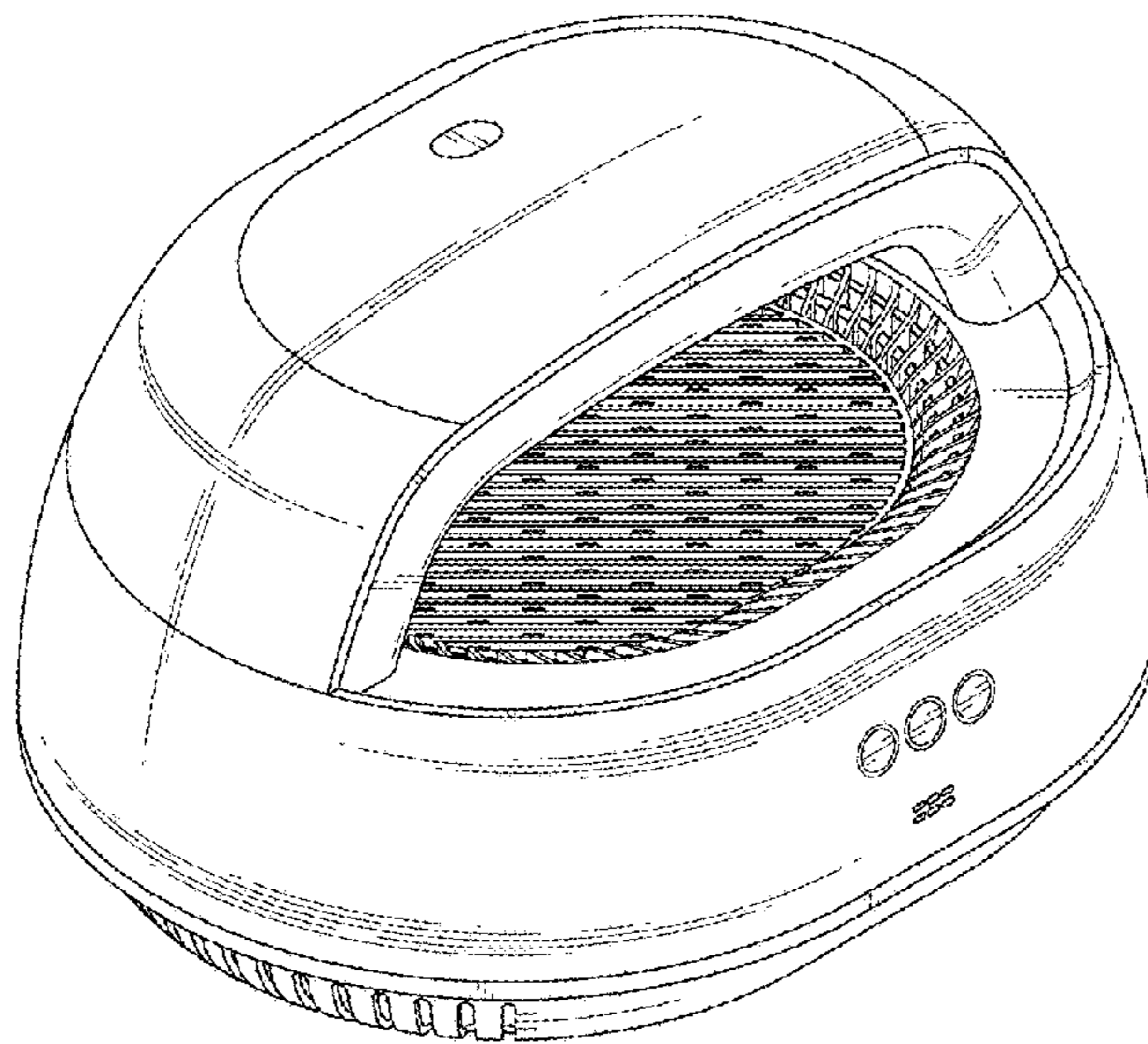
(57) **CLAIM**

We claim the ornamental design for a combined air filtration system and nail curing device, as shown and described.

DESCRIPTION

FIG. 1 is a perspective view of a combined air filtration system and nail curing device showing our design; FIG. 2 is a front elevational view thereof; FIG. 3 is a rear elevational view thereof; FIG. 4 is a right side elevational view thereof; FIG. 5 is a left side elevational view thereof; FIG. 6 is a top plan view thereof; FIG. 7 is a bottom plan view thereof; and, FIG. 8 is a perspective view thereof showing the system in a separated configuration.

1 Claim, 8 Drawing Sheets



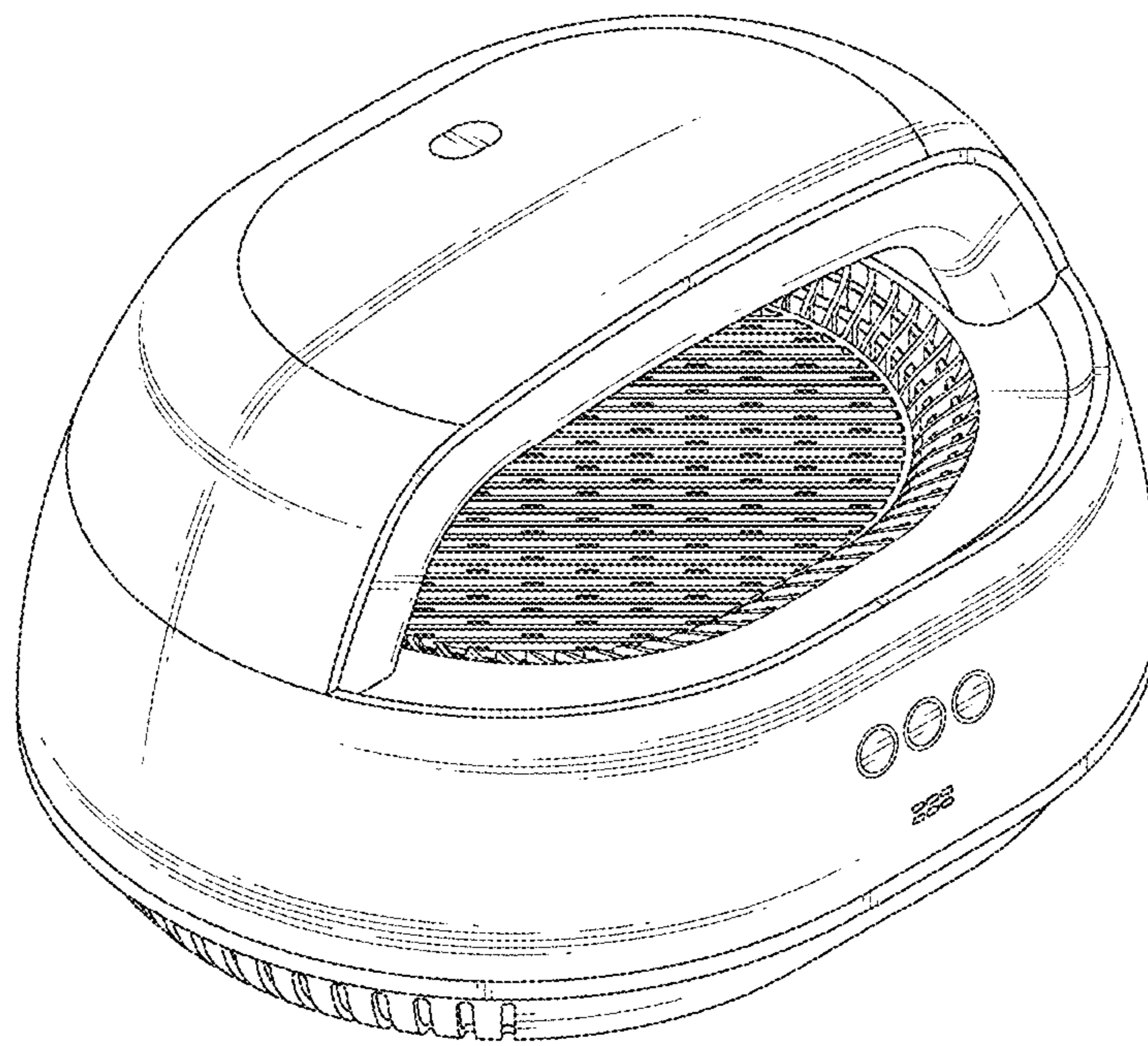


FIG. 1

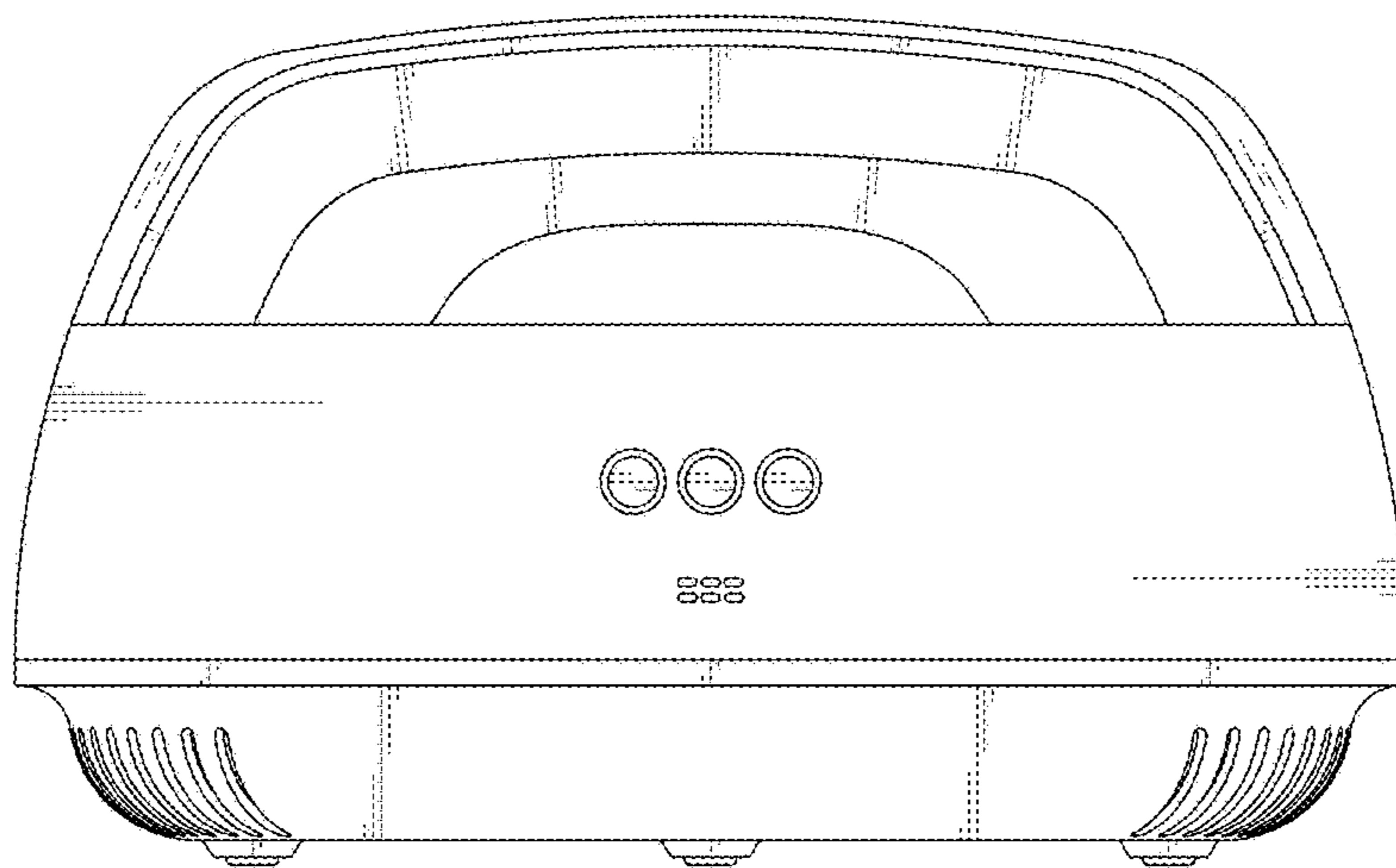


FIG. 2

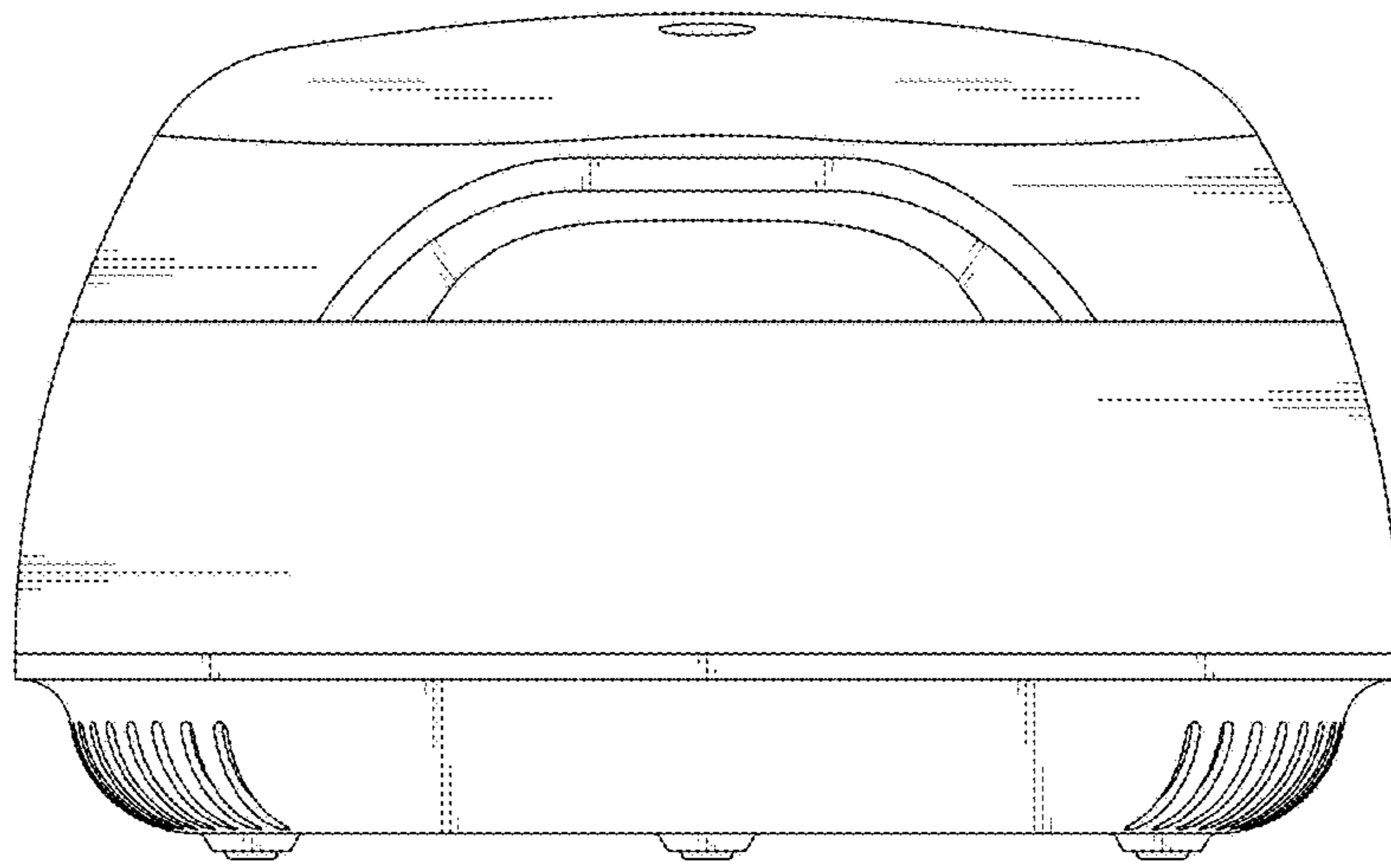


FIG. 3

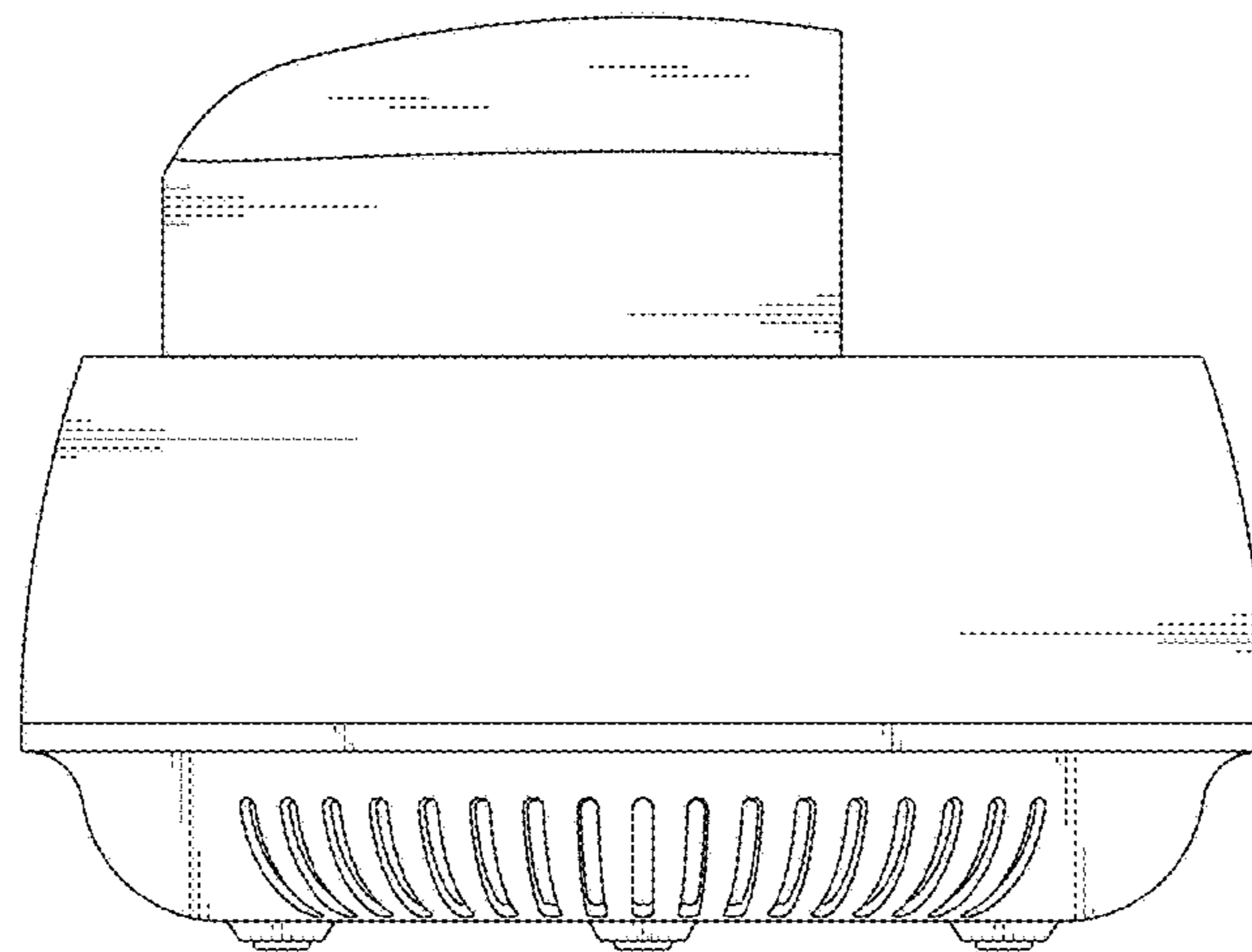


FIG. 4

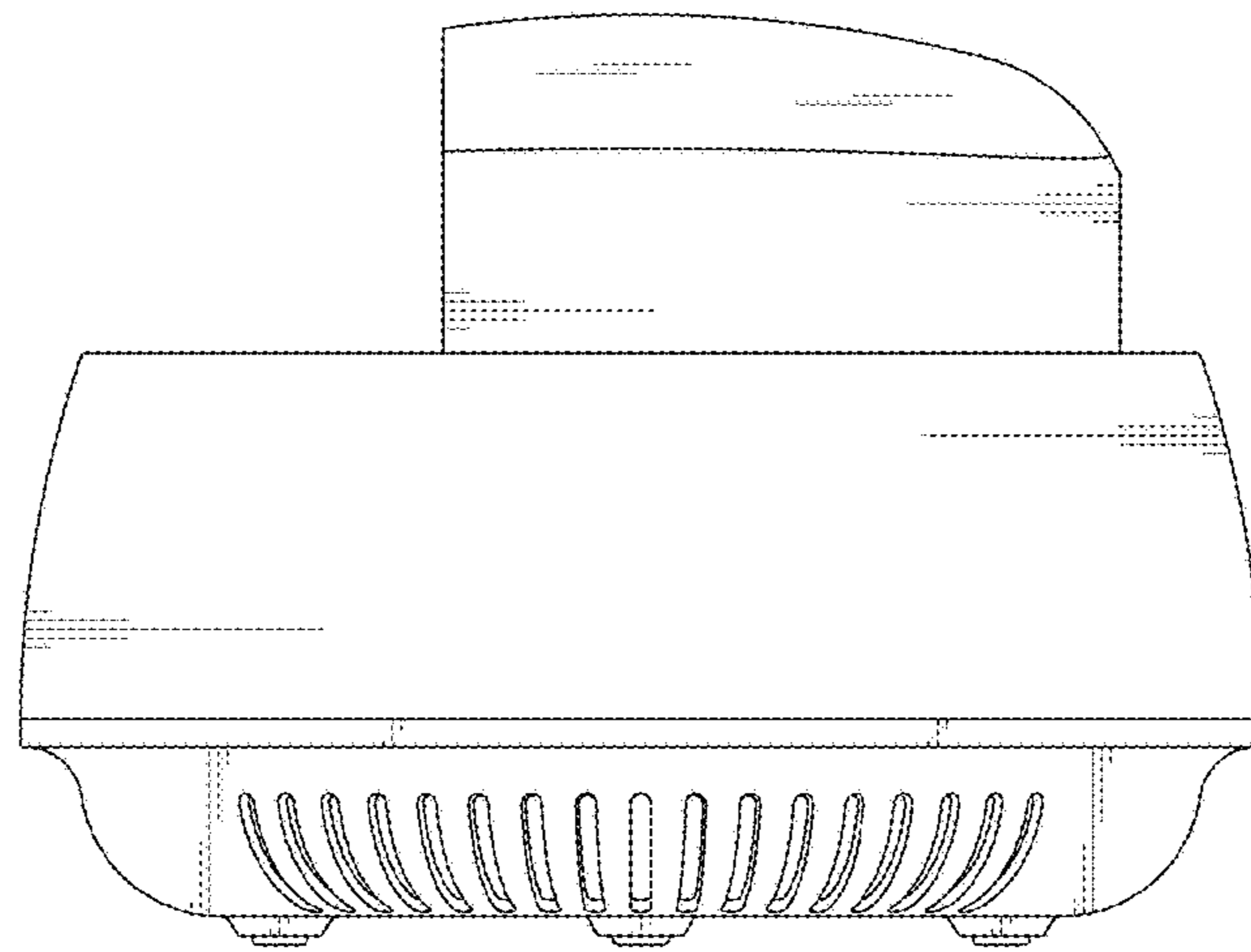


FIG. 5

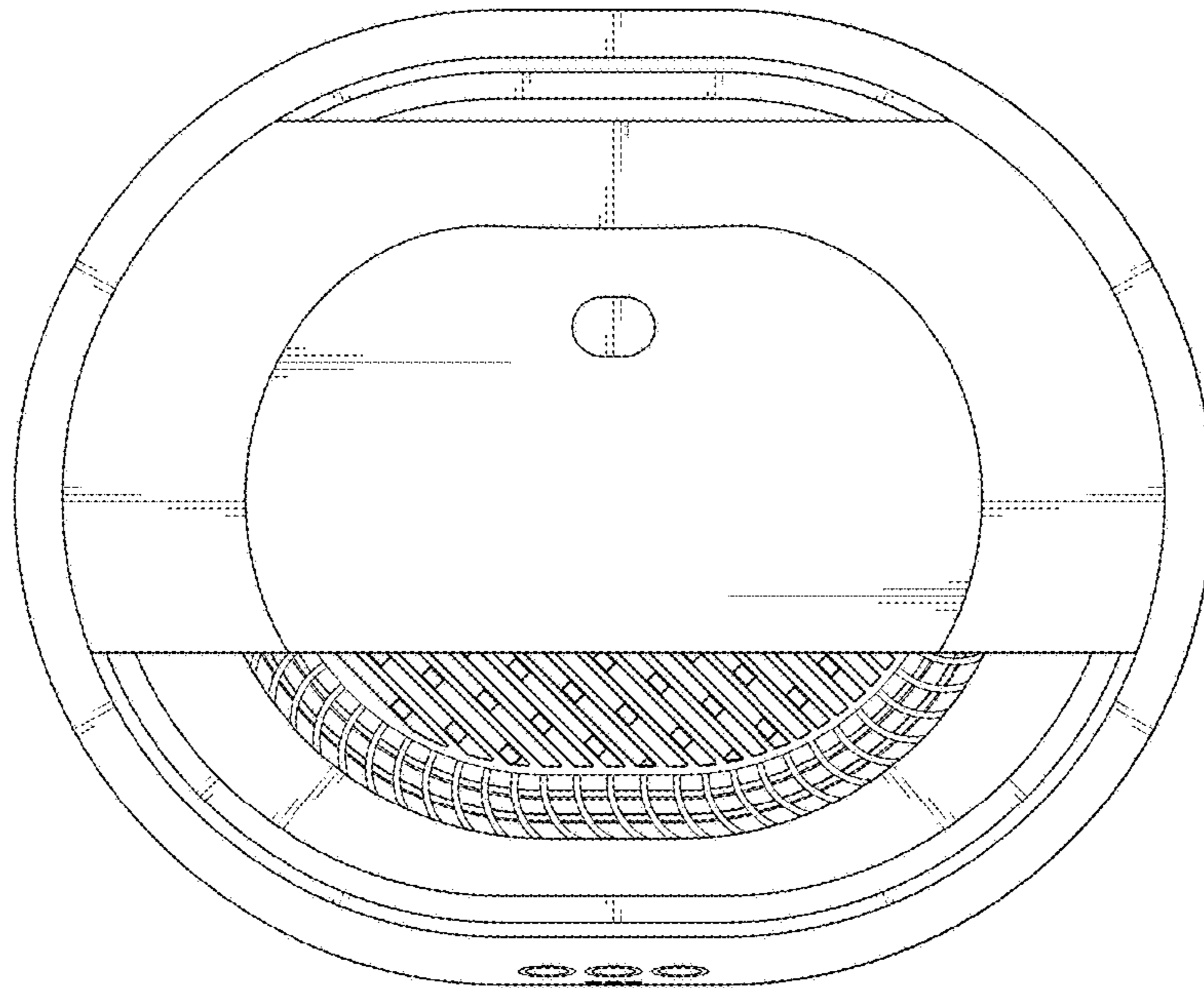


FIG. 6

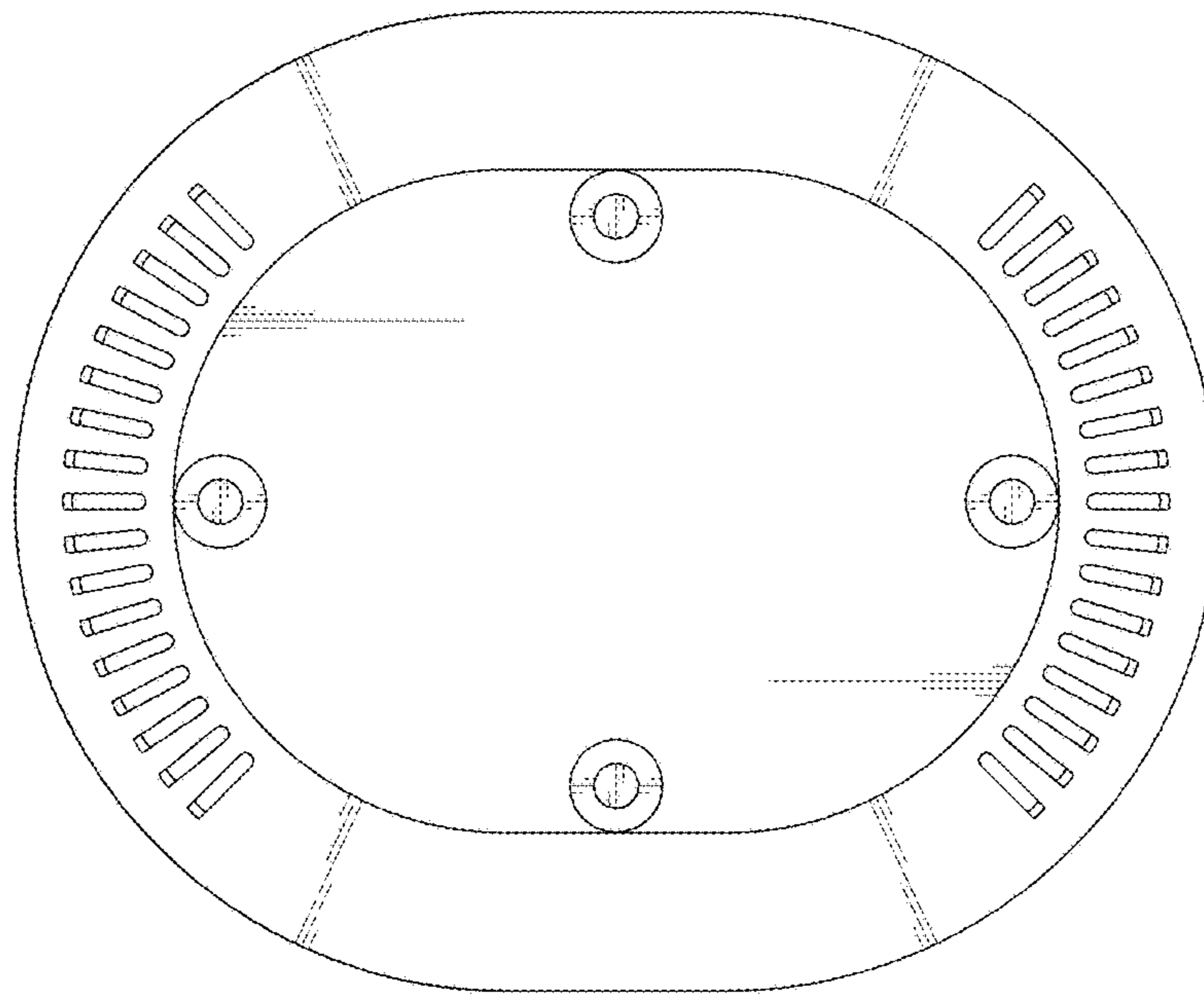


FIG. 7

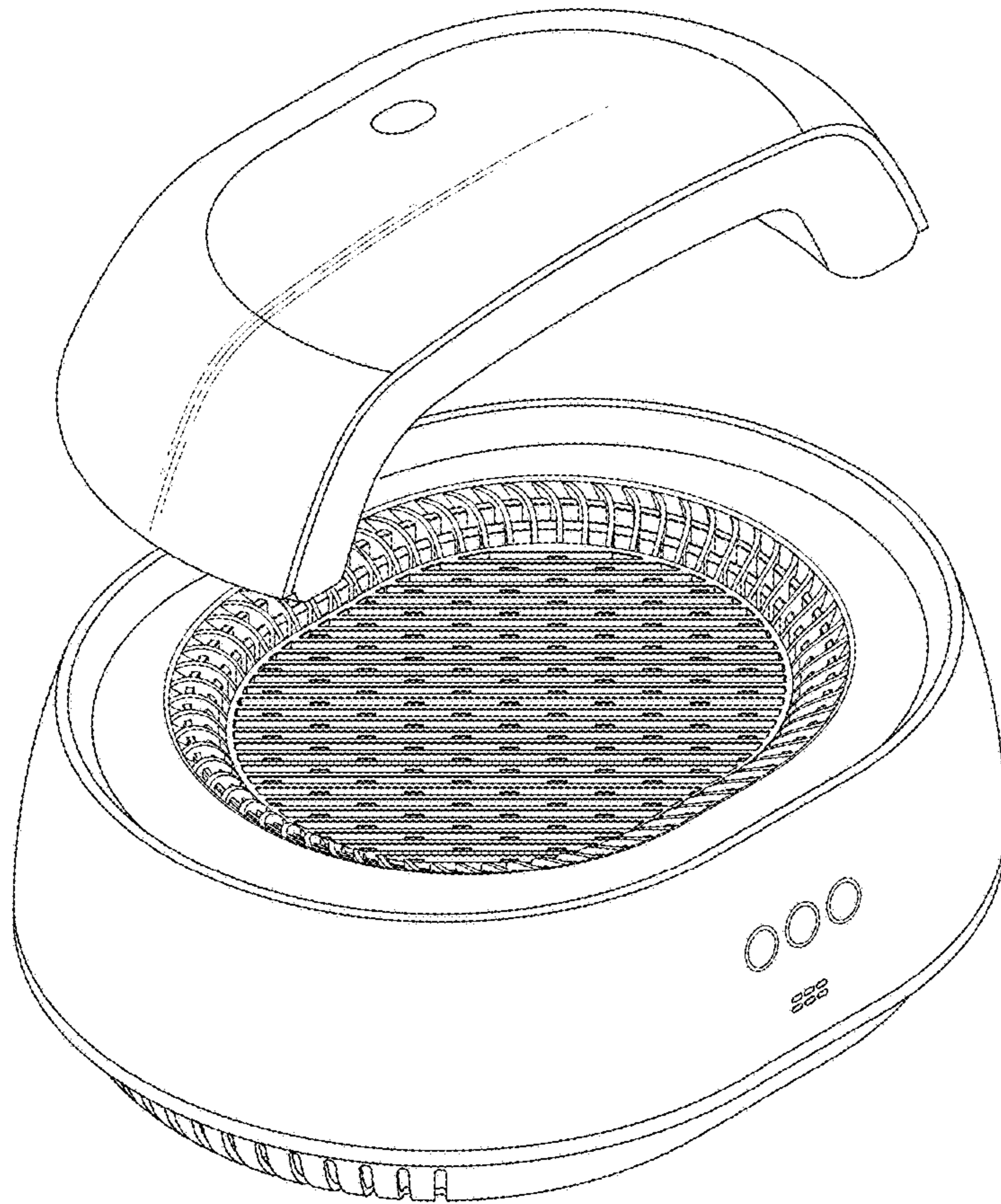


FIG. 8